



产品编号 : [430251800](#)

Product Description : Micro-Fit 3.0 Receptacle Housing, Dual Row, 18 Circuits, UL 94V-0, Low-Halogen, Black

系列号 : 43025

状态 : Active

Product Category : Connector Housings



---

## 文件和资源

### 图纸

[图纸 430251800\\_sd.pdf](#)

### 3D 模型和设计文件

[3D模型 430251800\\_stp.zip](#)

### 规格

[应用规格 430250000-AS-000.pdf](#)

[包装规格 PK-43025-001-001.pdf](#)

[产品规格 430450001-PS-K0-000.pdf](#)

[产品规格 430450001-PS-SP-000.pdf](#)

[产品规格 PS-43045-001.pdf](#)

[测试摘要 430450005-TS-000.pdf](#)

[测试摘要 TS-43045-001-001.pdf](#)

[测试摘要 TS-43045-003-001.pdf](#)

[测试摘要 TS-46235-001-001.pdf](#)

---

## 产物环境合规

### 合规

GADSL/IMDS	Not Relevant
China RoHS	
EU ELV	Not Relevant
Low-Halogen Status	Low-Halogen per IEC 61249-2-21
REACH SVHC	Not Contained per D(2023)8585-DC (23 Jan 2024)
EU RoHS	Compliant per EU 2015/863

### [多部分产品合规性声明](#)

- Eu RoHS

- REACH SVHC

- Low-Halogen

多部分行业合规性文件

- IPC 1752A Class C

- IPC 1752A Class D

- Molex Product Compliance Declaration

- IEC-62474

- chemSHERPA (xml)

欧盟 RoHS 合格证书

---

## 产品详情

### 常规

状态	活动
类别	Connector Housings
系列	43025
说明	Micro-Fit 3.0 Receptacle Housing, Dual Row, 18 Circuits, UL 94V-0, Low-Halogen, Black
应用	Power, Wire-to-Board, Wire-to- Wire
产品系列	Micro-Fit Connector System
产品名称	Micro-Fit 3.0
UPC	800754369053

### 机构

CSA	LR19980
UL	E29179

### 物理

电路数（最多）	18
颜色-树脂	黑色
阻燃性	94V-0
性别	Receptacle
符合灼热丝规范	否
插接极性	无
锁定插接部位	是
材料 - 树脂	Nylon

净重	1.852/g
行数	2
包装形式	Bag
面板安装式	否
间距 - 插配接口	3.00mm
有极性的插配件	是
可堆叠的	否
运行温度范围	-40° to +105° C

## 进程

无铅	不适用
----	-----

## 可配插/可连接使用的产品

### 可配插部件

描述	产品编号
Micro-Fit 3.0 Dual Row Plug Housings	<u>43020</u>
Micro-Fit 3.0 Dual Row Headers	<u>43045</u>
Micro-Fit 3.0 Dual Row Test Plugs	<u>44242</u>

### 可连接使用部件

描述	产品编号
Pre-Crimped Lead Micro-Fit 3.0 Female-to-Micro-Fit 3.0 Female, Tin (Sn) Plating, 150.00mm Length, 20 AWG, Black	<u><a href="/content/molex/molex-dot-com/cn/zh/products/product-page.html/797580002.html">/content/molex/molex-dot-com/cn/zh/products/product-page.html/797580002.html</a></u>
Pre-Crimped Lead Micro-Fit 3.0 Female-to-Micro-Fit 3.0 Female, Gold (Au) Plating, 150.00mm Length, 20 AWG, Black	<u><a href="/content/molex/molex-dot-com/cn/zh/products/product-page.html/797580004.html">/content/molex/molex-dot-com/cn/zh/products/product-page.html/797580004.html</a></u>
Pre-Crimped Lead Micro-Fit 3.0 Female-to-Micro-Fit 3.0 Female, Tin (Sn) Plating, 300.00mm Length, 20 AWG, Black	<u><a href="/content/molex/molex-dot-com/cn/zh/products/product-page.html/797580010.html">/content/molex/molex-dot-com/cn/zh/products/product-page.html/797580010.html</a></u>
Pre-Crimped Lead Micro-Fit 3.0 Female-to-Micro-Fit 3.0 Female, Gold (Au) Plating, 300.00mm Length, 20 AWG, Black	<u><a href="/content/molex/molex-dot-com/cn/zh/products/product-page.html/797580012.html">/content/molex/molex-dot-com/cn/zh/products/product-page.html/797580012.html</a></u>
Micro-Fit 3.0 Female Crimp Terminals	<u>43030</u>

Micro-Fit 3.0 Female Crimp Terminals with Lubricant	<u>45773</u>
Micro-Fit Reduced Mating Force Female Crimp Terminals	<u>46235</u>
Pre-Crimped Lead Micro-Fit 3.0 Female-to-Micro-Fit 3.0 Female	<u>214760</u>
Pre-Crimped Lead Micro-Fit 3.0 Female-to-Pigtail	<u>214761</u>

---

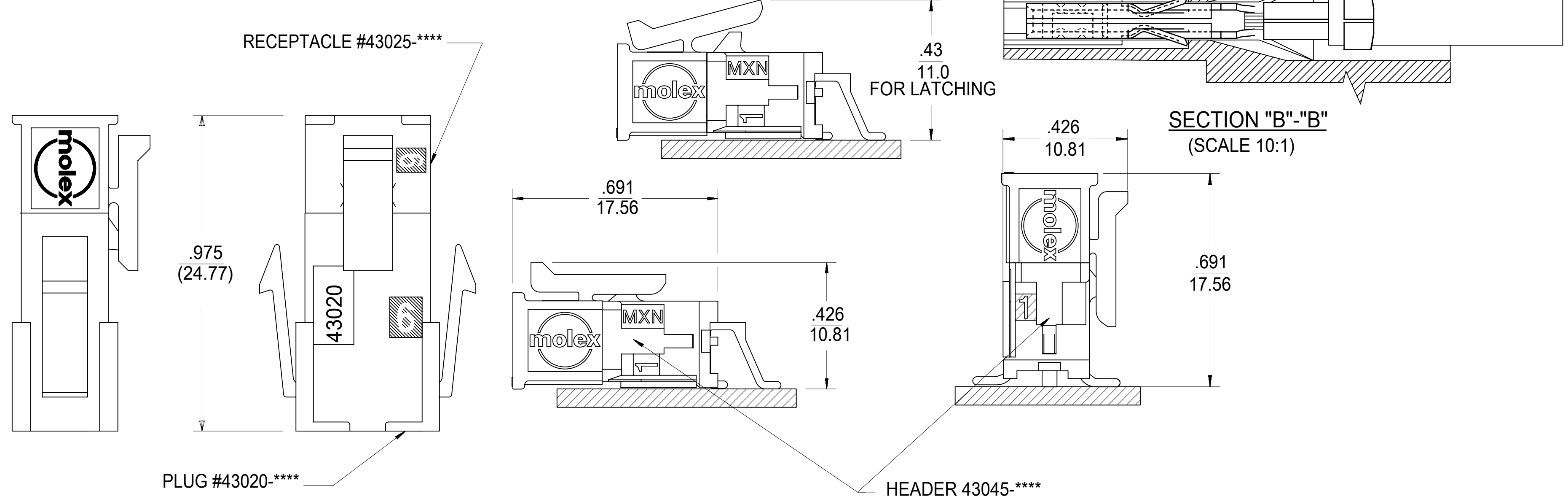
This document was generated on Mar 25, 2024

PART CHARACTERISTICS		
NUMBER OF POSITION	ASSEMBLY ITEM NUMBER	MATERIAL
02	43025-0200	"B"
04	43025-0400	
06	43025-0600	
08	43025-0800	
10	43025-1000	
12	43025-1200	
14	43025-1400	"B"
16	43025-1600	"A"
18	43025-1800	"B"
20	43025-2000	
22	43025-2200	
24	43025-2400	"A"

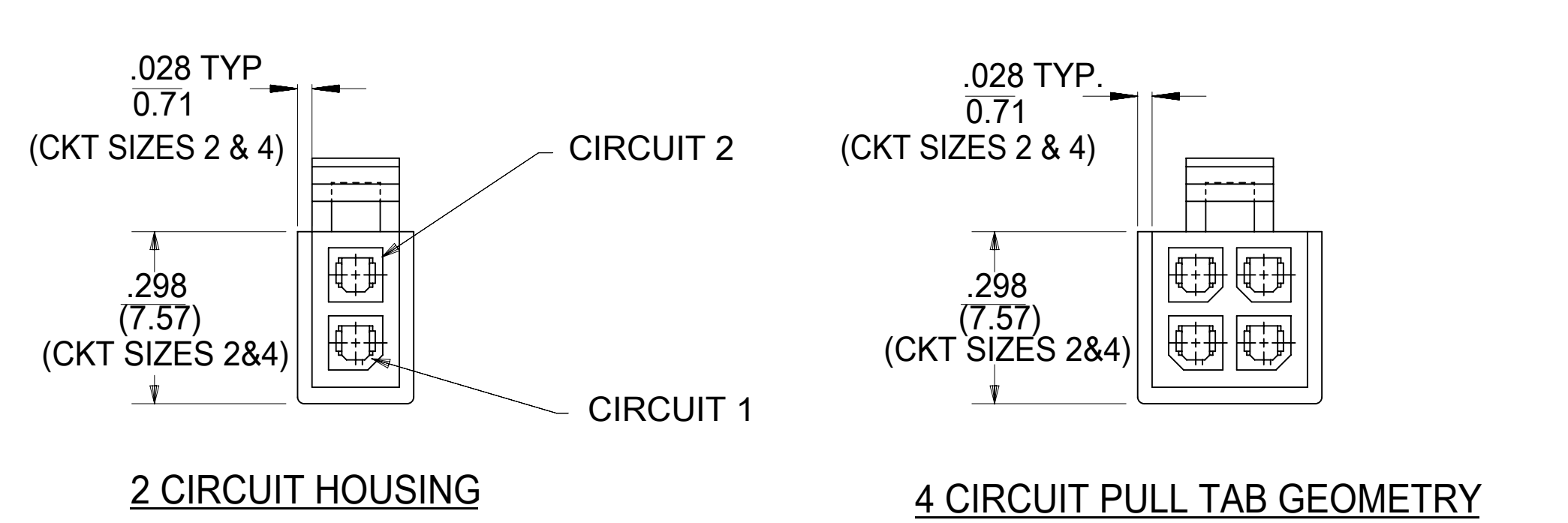
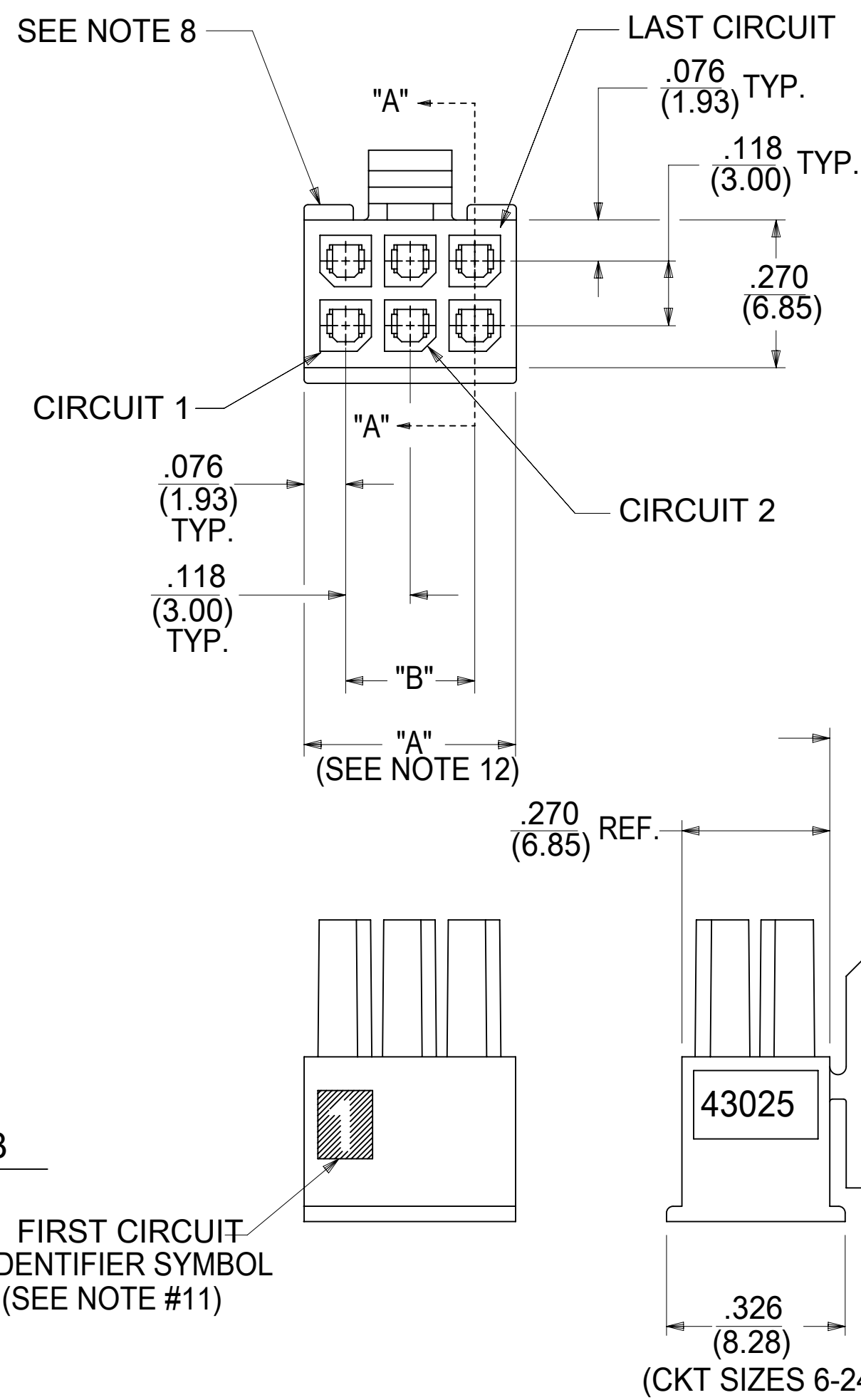
CKT. NO.	DIM. "A" +0.014 -0.010 +0.35 -0.25	DIM. "B"
2	.152/(3.86)	N/A
4	.270/(6.85)	.118/(3.00)
6	.388/(9.85)	.236/(6.00)
8	.506/(12.85)	.354/(9.00)
10	.624/(15.85)	.472/(12.00)
12	.742/(18.85)	.591/(15.00)
14	.860/(21.85)	.709/(18.00)
16	.978/(24.85)	.827/(21.00)
18	1.096/(27.85)	.945/(24.00)
20	1.215/(30.85)	1.063/(27.00)
22	1.333/(33.85)	1.181/(30.00)
24	1.451/(36.85)	1.299/(33.00)

**NOTES:**

- HOUSING MATERIAL:  
"A" - UNFILLED POLYESTER, RATED U.L. 94V-0, COLOR IS BLACK.  
"B" - UNFILLED NYLON, RATED U.L. 94V-0, LOW HALOGEN, COLOR IS BLACK.
- FINISH: N/A
- PRODUCT SPECIFICATION: PS-43045
- PACKAGING SPECIFICATION: PK-43025-001
- THIS RECEPTACLE MATES WITH 43020, 43045.
- THIS RECEPTACLE TO BE USED WITH MOLEX FEMALE TERMINAL SERIES 43030 OR 46235. SEE SECTION "A"-A" FOR TERMINAL ORIENTATION IN HOUSING.
- FOR OVERMOLDING PARAMETERS SEE APPLICATION SPECIFICATION 430250000-AS.
- TOP PULL TABS ARE NOT AVAILABLE ON 2 AND 4 CIRCUIT PARTS.
- MOLEX RECOMMENDS THE USE OF MICRO-FIT TEST PLUG, SERIES NO. 44242-\*\*\*\* WHENEVER TESTING IS PERFORMED. TEST PLUGS MUST NOT BE USED FOR MAKE OR BREAK UNDER LOAD. MOLEX DOES NOT RECOMMEND USING STANDARD MATING COMPONENTS FOR HARNESS TESTING PURPOSES.
- SOME HOUSINGS MAY HAVE A SMALL GATE BLEMISH NEAR THE GATE THAT DOES NOT AFFECT FUNCTIONALITY.
- HOUSINGS HAVE EITHER AN IDENTIFIER RIB OR ENGRAVED "1" SYMBOL TO INDICATE CIRCUIT #1. IDENTIFIER TYPE IS TOOL DEPENDENT AND NOT SELECTABLE.
- DIMENSION 'A' MEASURED AT DATUM -A-
- THIS PART CONFORMS TO CLASS 'B' REQUIREMENTS OF COSMETIC SPECIFICATION PS-45499-002.
- TEXT ON PART IS FOR REFERENCE ONLY. TEXT AND TEXT LOCATION MAY VARY DEPENDING ON PART NUMBER AND/OR TOOL.

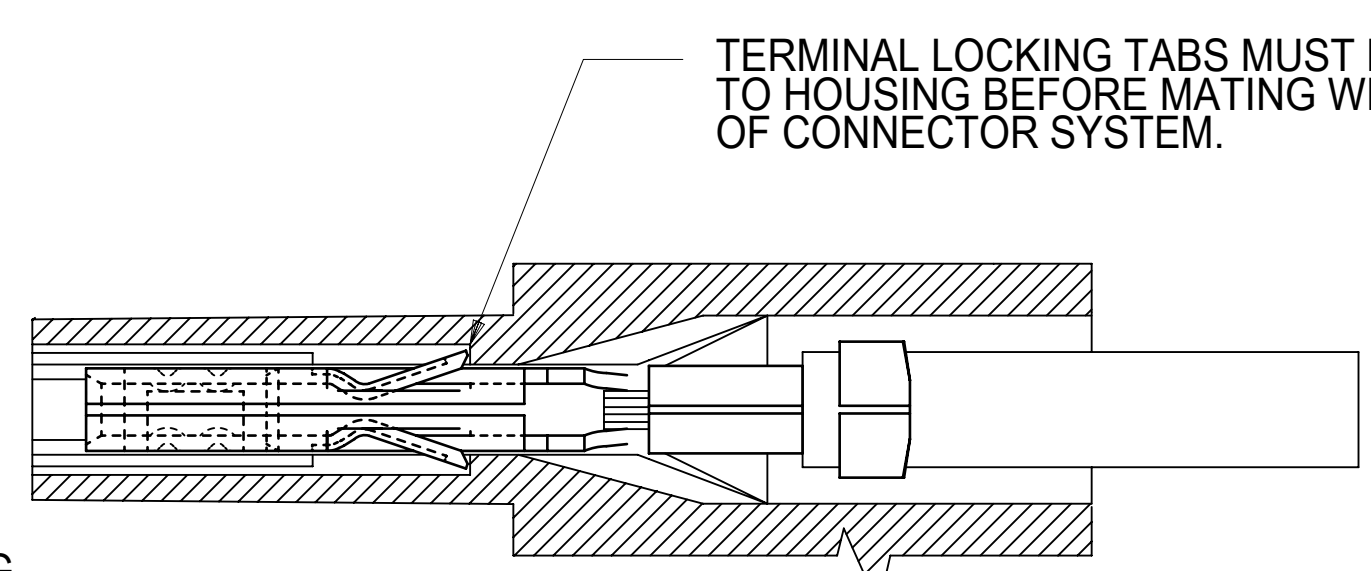
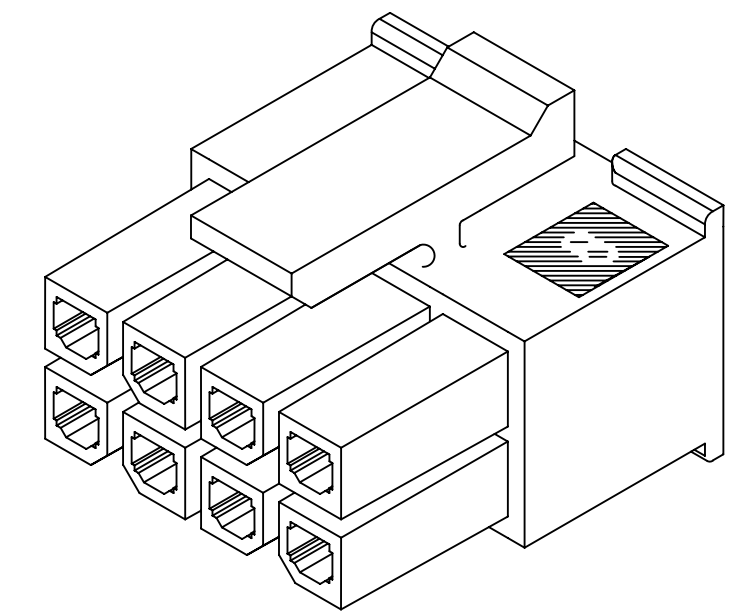
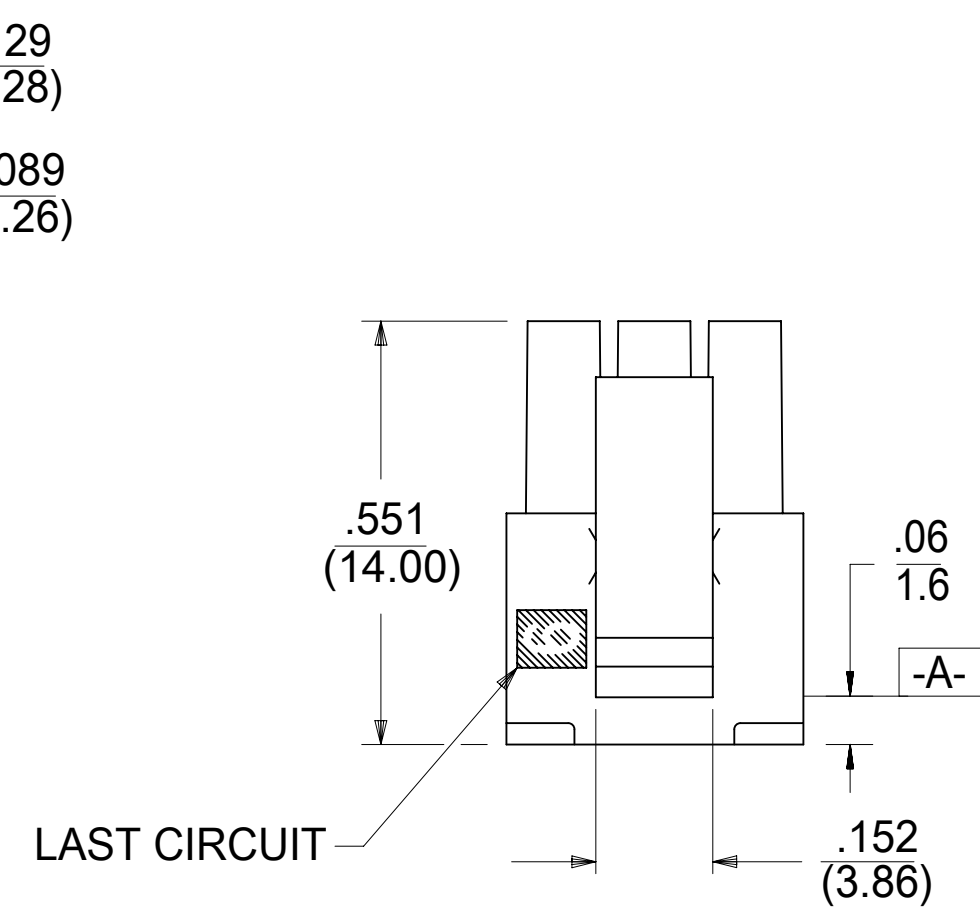


**MATED MICRO-FIT CONNECTOR**

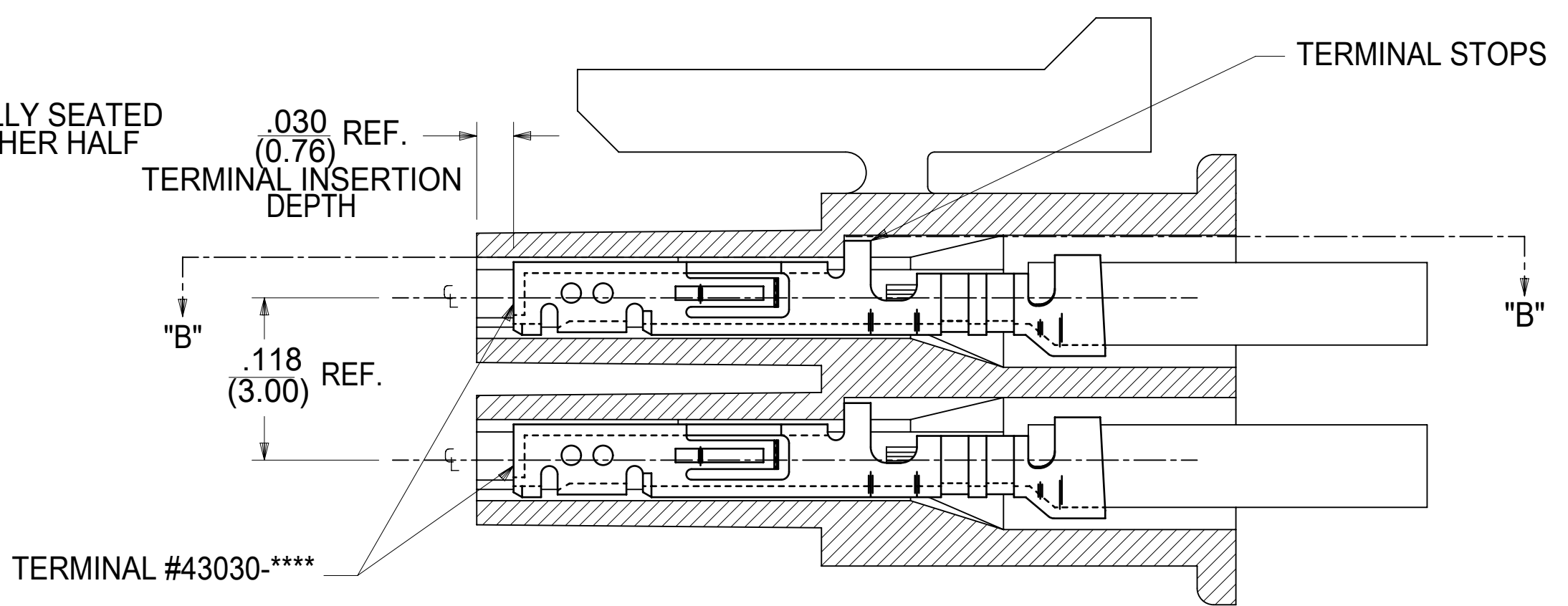


**2 CIRCUIT HOUSING**

**4 CIRCUIT PULL TAB GEOMETRY**



**SECTION "B"-B" (SCALE 10:1)**



**SECTION "A"-A" WITH TERMINAL (SCALE 10:1)**

SYMBOLS		THIS DRAWING CONTAINS INFORMATION THAT IS PROPRIETARY TO MOLEX ELECTRONIC TECHNOLOGIES, LLC AND SHOULD NOT BE USED WITHOUT WRITTEN PERMISSION		CURRENT REV DESC: INITIAL RELEASE	
▽ = 0	IN/MM	SCALE	NTS		
▽ = 0	GENERAL TOLERANCES (UNLESS SPECIFIED)		EC NO: 168740		
▽ = 0	MM	INCH	DRWN: AZAHIROVIC	2018/03/06	MICRO-FIT (3.0) 2-24 CIRCUIT RECEPTACLE
▽ = 0	4 PLACES ±	±	CHK'D: SSOUSEK	2018/06/01	
▽ = 0	3 PLACES ±	± 0.01	APPR: FSMITH	2018/06/01	PRODUCT CUSTOMER DRAWING
▽ = 0	2 PLACES ±	0.25 ± 0.014	INITIAL REVISION:		DOCUMENT NUMBER
▽ = 0	1 PLACE ±	0.35 ±	DRWN: A.F.G.	1993/01/14	DOC TYPE
▽ = 0	0 PLACES ±	±	APPR: FSMITH	2016/05/02	DOC PART
▽ = 0	ANGULAR TOL	± 0.5 °	DRAFT WHERE APPLICABLE MUST REMAIN WITHIN DIMENSIONS		REVISION
▽ = 0	THIRD ANGLE PROJECTION		DRAWING	SERIES	43025
▽ = 0	D-DRAWING		MATERIAL NUMBER	CUSTOMER	SEE TABLE
DOCUMENT STATUS		P1	RELEASE DATE	2018/06/01	21:26:12
THIS DRAWING REPLACES DRAWING SDA-43025-****					
SHEET NUMBER				1 OF 1	



MICRO-FIT (3.0) 2-24 CIRCUIT RECEPTACLE

PRODUCT CUSTOMER DRAWING

430250000-SD PSD 000 A