



产品编号 : 430300005

系列号 : 43030

Product Category : Crimp Terminals

Product Description : Micro-Fit 3.0 Crimp Terminal, Female, with Select Gold (Au) Plated Phosphor Bronze Contact, 26-30 AWG, Reel

状态 : Active

Packaging Alternative : 430300011 (Bag)

---

## 文件和资源

### 图纸

图纸 430300005\_sd.pdf

包装设计图 PK-43030-001-001.pdf

### 规格

产品规格 430450001-PS-K0-000.pdf

产品规格 430450001-PS-SP-000.pdf

产品规格 PS-43045-001.pdf

测试摘要 430450005-TS-000.pdf

测试摘要 430450006-TS-000.pdf


测试摘要 TS-43045-001-001.pdf

测试摘要 TS-43045-002-001.pdf

---

## 产物环境合规

### 合规

GADSL/IMDS	Compliant with Exemption 34; 44; 33
China RoHS	
EU ELV	Compliant per 2000/53/EC
Low-Halogen Status	Low-Halogen per IEC 61249-2-21
REACH SVHC	Not Contained per D(2023)8585-DC (23 Jan 2024)
EU RoHS	Compliant per EU 2015/863

### 多部分产品合规性声明

- Eu RoHS
- REACH SVHC
- Low-Halogen
- IPC 1752A Class C

- IPC 1752A Class D
- Molex Product Compliance Declaration
- IEC-62474
- chemSHERPA (xml)

欧盟 RoHS 合格证书

## 产品详情

### 常规

状态	活动
类别	Crimp Terminals
系列	43030
说明	Micro-Fit 3.0 Crimp Terminal, Female, with Select Gold (Au) Plated Phosphor Bronze Contact, 26-30 AWG, Reel
应用	Power, Wire-to-Board, Wire-to-Wire
产品系列	Micro-Fit Connector System
产品名称	Micro-Fit 3.0
UPC	800754369206

### 电气

每触点最大电流	8.5A
---------	------

### 物理

性别	女
材料 - 金属	Phosphor Bronze
材料 - 接合部位电镀	金牌
材料 - 终端电镀	Tin
净重	0.057/g
包装形式	Reel
最薄镀层 - 接合部位	0.381µm
最薄镀层 - 端接	2.540µm
终端界面类型	Crimp or Compression
导线绝缘直径	1.27mm max.
线径规格 (AWG)	26, 28, 30
线缆尺寸mm <sup>2</sup>	不适用

## 进程

无铅	不适用
----	-----

## 可连接使用部件

描述	产品编号
Micro-Fit 3.0 Dual Row Receptacle Housings	<u>43025</u>
Micro-Fit 3.0 Single Row Receptacle Housings	<u>43645</u>
Micro-Fit BMI Dual Row Receptacle Housings	<u>44133</u>
Micro-Fit BMI Single Row Receptacle Housings	<u>46623</u>
Micro-Fit TPA Single Row Receptacle Housings	<u>171850</u>
Micro-Fit TPA Receptacle Housings	<u>172952</u>

## 施工工具

### 全局

描述	产品编号
Extraction Tool for Micro-Fit Terminals	<u>11030043</u>
Insertion Tool for Micro-Fit 3.0 and CRC Male and Female Crimp Terminals, 20-30 AWG	<u>638120800</u>
PremiumGrade Hand Crimp Tool for Micro-Fit 3.0 Terminals, 20-30 AWG	<u>638190000</u>
FineAdjust Applicator for Insulation OD 1.12-1.27mm, 26-30 AWG Wire	<u>639004400</u>
FineAdjust Applicator for Micro-Fit 3.0 Crimp Terminals, Insulation OD 0.63-1.10mm 26-30 AWG	<u>639046600</u>
T2 Terminator for Insulation OD 1.12-1.27mm, 26-30 AWG	<u>639104400</u>

## 施工工具

日本

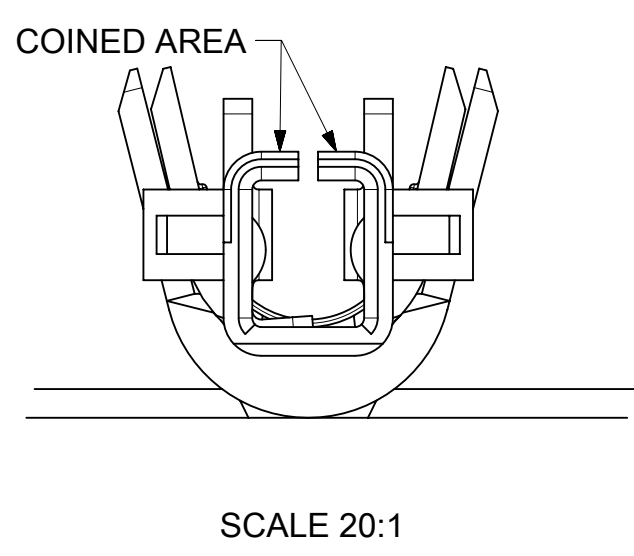
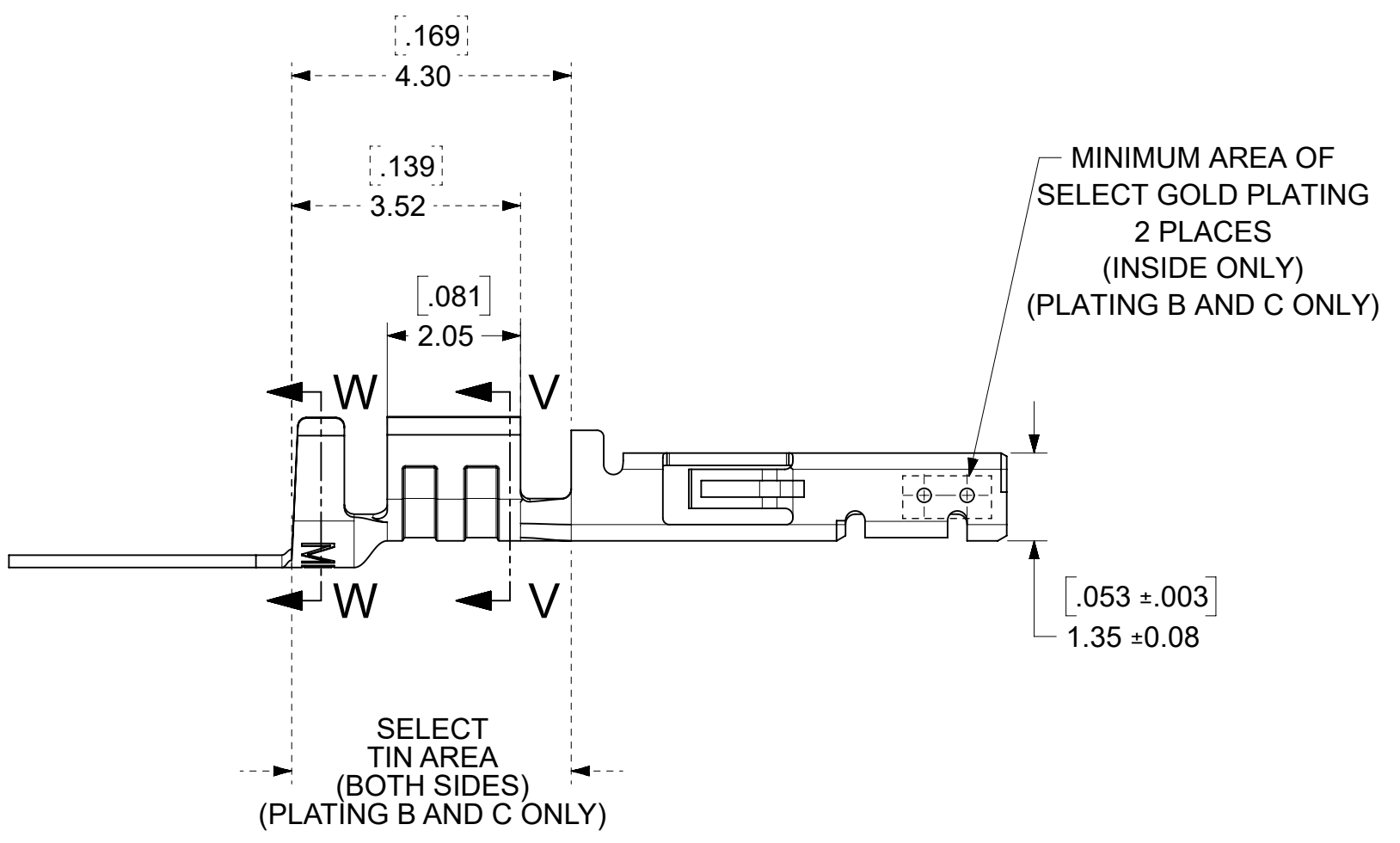
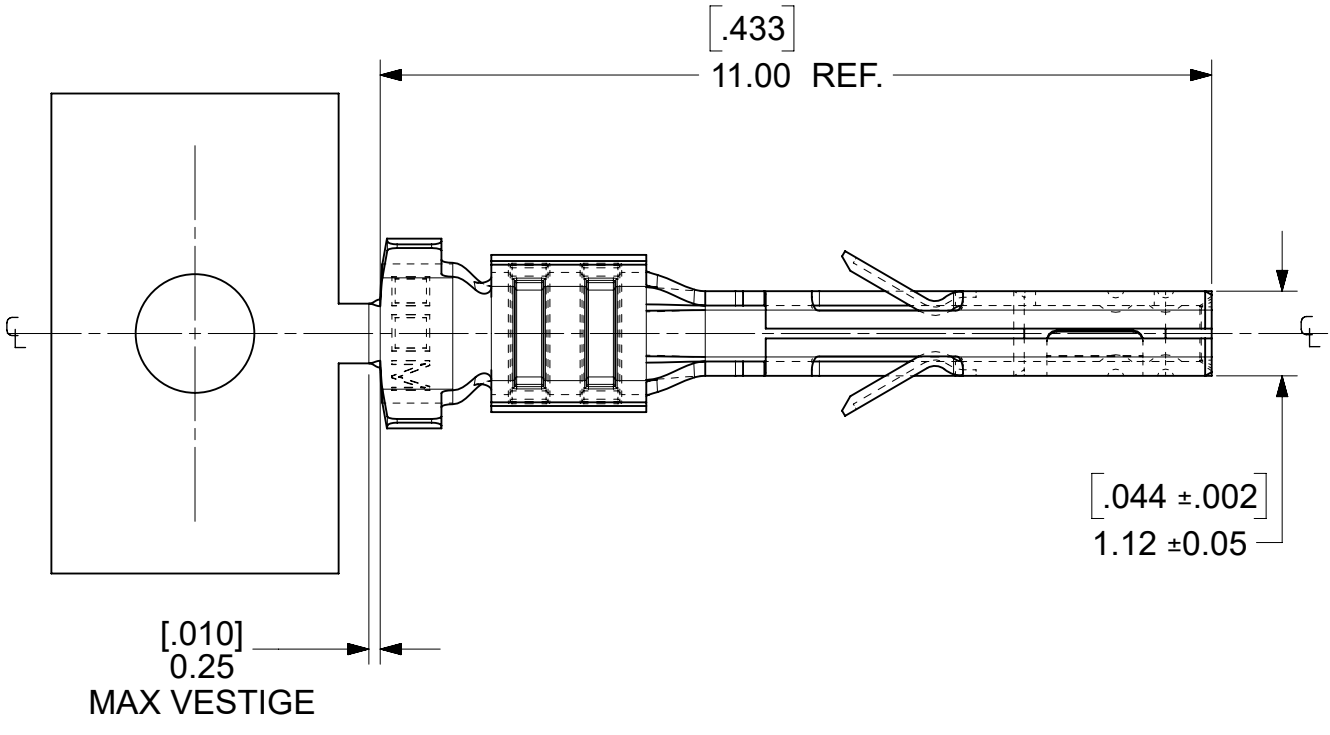
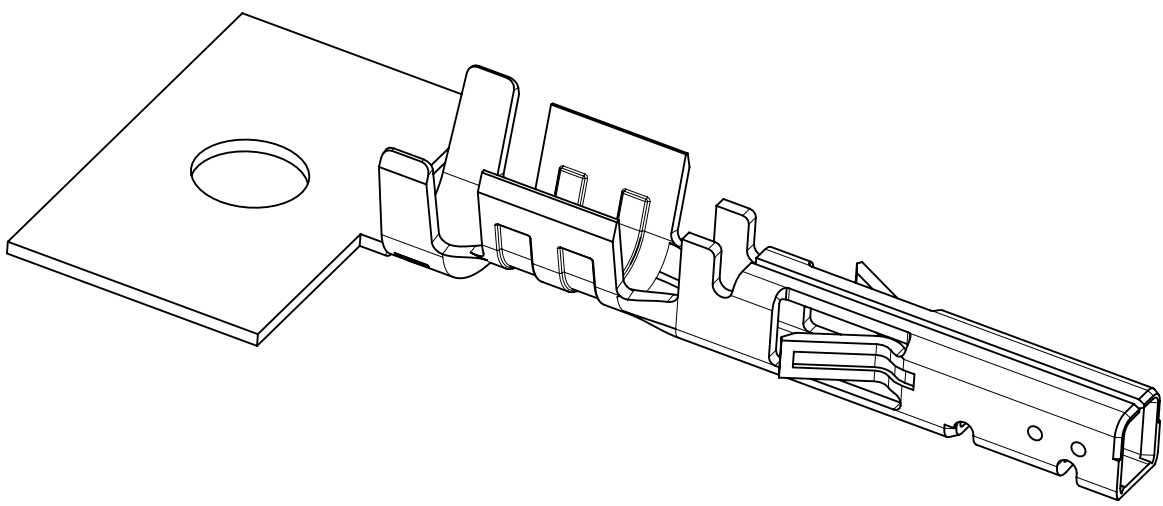
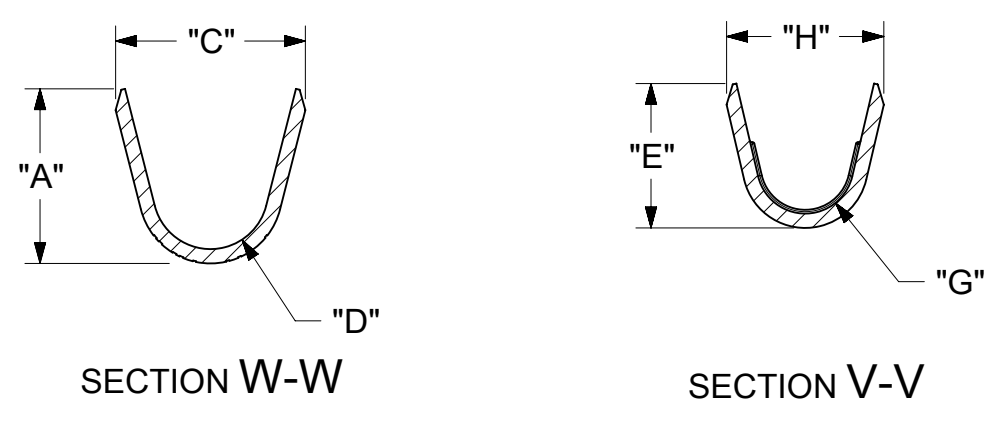
描述	产品编号
S-1 Applicator for Micro-Fit 3.0 Plug and Receptacle Crimp Terminals, 26-30 AWG	<u>572983710</u>

---

This document was generated on Jun 30, 2024

WIRE SIZE	MAX INSULATION	"A" ±.012 ±0.30	"C" ±.012 ±0.30	"D" ±.005 ±0.13	"E" ±.012 ±0.30	"G" ±.005 ±0.13	"H" ±.012 ±0.30
20-24	.073/1.85	.091/2.31	.099/2.51	.030/0.76 R.	.075/1.91	.025/0.64 R.	.082/2.08
26-30	.050/1.27	.075/1.91	.083/2.10	.025/0.64 R.	.058/1.47	.020/0.51 R.	.065/1.65
18 OR 0.75mm <sup>2</sup>	.073/1.85	.091/2.31	.099/2.51	.030/0.76 R.	.086/2.18	.029/0.74 R.	.094/2.39

MATERIAL NUMBER	PLATING	WIRE SIZE (AWG)	FORM
43030-0001	A	20-24	CHAIN
43030-0002	B	20-24	CHAIN
43030-0003	C	20-24	CHAIN
43030-0004	A	26-30	CHAIN
43030-0005	B	26-30	CHAIN
43030-0006	C	26-30	CHAIN
43030-0007	A	20-24	LOOSE
43030-0008	B	20-24	LOOSE
43030-0009	C	20-24	LOOSE
43030-0010	A	26-30	LOOSE
43030-0011	B	26-30	LOOSE
43030-0012	C	26-30	LOOSE
43030-0038	A	18 OR 0.75mm <sup>2</sup> (SEE NOTE 10)	CHAIN
43030-0039	B	18 OR 0.75mm <sup>2</sup> (SEE NOTE 10)	CHAIN
43030-0040	C	18 OR 0.75mm <sup>2</sup> (SEE NOTE 10)	CHAIN



- NOTES
- MATERIAL: PHOSPHOR BRONZE ALLOY
  - TERMINAL PLATING:
    - "A" - HOT TIN DIP: .000040/0.00102 MIN. OVERALL
    - "B" - .000015/0.00038 MIN. SELECT GOLD  
.000100/0.00254 MIN. SELECT TIN  
ALL OVER .000050/0.00127 MIN. NICKEL OVERALL.
    - "C" - .000030/0.00076 MIN. SELECT GOLD  
.000100/0.00254 MIN. SELECT TIN  
ALL OVER .000050/0.00127 MIN. NICKEL OVERALL.
    - PLATING FINISHES B AND C ARE POST PLATED.
  - PRODUCT SPECIFICATION: PS-43045, PS-43650, PS-44300-001.
  - PACKAGING SPECIFICATION: PK-43030-001 (REEL), PK-43030-003 (LOOSE).
  - TERMINAL FOR USE IN MICRO-FIT RECEPTACLE SERIES 43025, 43645, 44133, AND 46623. ONLY 20-24 AWG AND 26-30 AWG TERMINALS CAN BE USED IN TPA RECEPTACLE SERIES 171850 AND 172952.
  - FOR TERMINAL ORIENTATION IN RECEPTACLE SEE DRAWINGS FOR RECEPTACLES.
  - THIS TERMINAL IS DESIGNED IN METRIC.
  - MOLEX RECOMMENDS THE USE OF MICRO-FIT TEST PLUG (SERIES 44242) WHENEVER CONTINUITY TESTING IS PERFORMED. TEST PLUGS MUST NOT BE USED TO MAKE OR BREAK UNDER LOAD. MOLEX DOES NOT RECOMMEND USING STANDARD MATING COMPONENTS (SERIES 43020, 43045, 43640, 43650, OR 43031) FOR HARNESS TESTING PURPOSES.
  - TEXT ON PART IS FOR REFERENCE ONLY. TEXT AND TEXT LOCATION MAY VARY DEPENDING ON PART NUMBER AND/OR TOOL.
  - 18 AWG PART NUMBERS ARE DESIGNED FOR 18 AWG 1061 STYLE WIRE OR A .073/1.85 MAXIMUM INSULATION OUTSIDE DIAMETER.

FUNCTIONAL SYMBOLS	THIS DRAWING CONTAINS INFORMATION THAT IS PROPRIETARY TO MOLEX ELECTRONIC TECHNOLOGIES, LLC AND SHOULD NOT BE USED WITHOUT WRITTEN PERMISSION			
	DIMENSION UNITS	SCALE	CURRENT REV DESC: CORRECT 3.52 DIMENSION	
$\frac{F}{A} = 0$	INCH/MM	10:1		
$\frac{F}{C} = 0$	GENERAL TOLERANCES (UNLESS SPECIFIED)			
$\frac{F}{P} = 0$		MM	INCH	
DIVISIONAL SYMBOLS	4 PLACES	±	±	
	3 PLACES	±	± 0.01	
	2 PLACES	± 0.25	± 0.014	
	1 PLACE	± 0.35	±	
	0 PLACES	±	±	
	ANGULAR TOL	± 0.5 °		
DRAFT WHERE APPLICABLE MUST REMAIN WITHIN DIMENSIONS		THIRD ANGLE PROJECTION		
		DRAWING	SERIES	
		C-SIZE	43030	
DOCUMENT STATUS		P1	RELEASE DATE	2023/05/04 03:48:26

**molex**

MICRO-FIT (3.0) FEMALE CRIMP TERMINAL

PRODUCT CUSTOMER DRAWING

DOCUMENT NUMBER: SD-43030-XXXX | DOC TYPE: PSD | DOC PART: 001 | REVISION: N9

MATERIAL NUMBER: SEE TABLE | CUSTOMER: GENERAL MARKET | SHEET NUMBER: 1 OF 1