

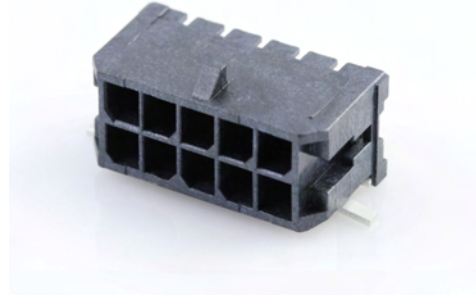
产品编号 : 430451009

Product Description : Micro-Fit 3.0 Right-Angle Header, 3.00mm Pitch, Dual Row, 10 Circuits, with Solder Tab, Tin, Glow-Wire Capable, Black, Tape and Reel

系列号 : 43045

状态 : Active

Product Category : PCB Headers and Receptacles



文件和资源

图纸

图纸 430451009_sd.pdf

包装设计图 430450001-PK-000.pdf

3D 模型和设计文件

3D模型 430451009_stp.zip

符号足迹数据 SYM-43045-1009-001.zip

规格

应用规格 AS-43045-001-001.pdf

产品规格 430450001-PS-K0-000.pdf

产品规格 430450001-PS-SP-000.pdf

产品规格 PS-43045-001.pdf


测试摘要 430450004-TS-000.pdf

测试摘要 TS-43045-001-001.pdf

测试摘要 TS-46235-001-001.pdf

产物环境合规

合规

GADSL/IMDS	Compliant with Exemption 44; 33
China RoHS	
EU ELV	Not Relevant
Low-Halogen Status	Low-Halogen per IEC 61249-2-21
REACH SVHC	Not Contained per D(2023)3788-DC (14 Jun 2023)
EU RoHS	Compliant per EU 2015/863

多部分产品合规性声明

- Eu RoHS
- REACH SVHC
- Low-Halogen

多部分行业合规性文件

- IPC 1752A Class C
- IPC 1752A Class D
- Molex Product Compliance Declaration
- IEC-62474
- chemSHERPA (xml)

欧盟 RoHS 合格证书

产品详情

常规

状态	活动
类别	PCB Headers and Receptacles
系列	43045
说明	Micro-Fit 3.0 Right-Angle Header, 3.00mm Pitch, Dual Row, 10 Circuits, with Solder Tab, Tin, Glow-Wire Capable, Black, Tape and Reel
应用	Power, Wire-to-Board

个评论	<p>High Temperature, Square Pin, Solder Type; This Molex product is manufactured from material that has the following ratings, tested by independent agencies:</p> <p>a) A Glow Wire Ignition Temperature (GWIT) of at least 775 deg C per IEC 60695-2-13. b) A Glow Wire Flammability Index (GWFI) above 850 deg C per IEC 60695-2-12 and hence complies with the requirements set out in the International Standard IEC 60335-1 5th edition - household and similar electrical appliances - safety, section 30 Resistance to heat and fire. The customers using this product must determine its suitability for use in their particular application through testing or other acceptable means as described in end-product glow-wire flammability test standard IEC 60695-2-11 and any applicable product end-use standard(s). If it is determined during the customer's evaluation of suitability, that higher performance is required, please contact Molex for possible product options.</p>
元件类型	PCB Header
产品系列	Micro-Fit Connector System
产品名称	Micro-Fit 3.0
UPC	800754372374

机构

CSA	LR19980
UL	E29179

电气

每触点最大电流	8.5A
电压 - 最大	600V

物理

断开	否
回路数 (已载入)	10
电路数 (最多)	10

颜色-树脂	黑色
耐用性(插拔次数) - 最多次数	30
阻燃性	94V-0
符合灼热丝规范	是
插配长度	10.29mm
材料 - 金属	Brass
材料 - 接合部位电镀	Tin
材料 - 终端电镀	Tin
材料 - 树脂	High Temperature Thermoplastic
净重	1.628/g
行数	2
方向	Right Angle
包装形式	Embossed Tape on Reel
PCB 定位器	是
PCB 保持力	是
推荐的 PCB 厚度	1.60mm
间距 - 插配接口	3.00mm
最薄镀层 - 接合部位	0.254µm
PCB 极性	是
有护墙的	Fully
可堆叠的	否
运行温度范围	-40° to +105° C
终端界面类型	Surface Mount

进程

最长持续时间	30
无铅	REFLOW
最大周期	3
最高温度	260

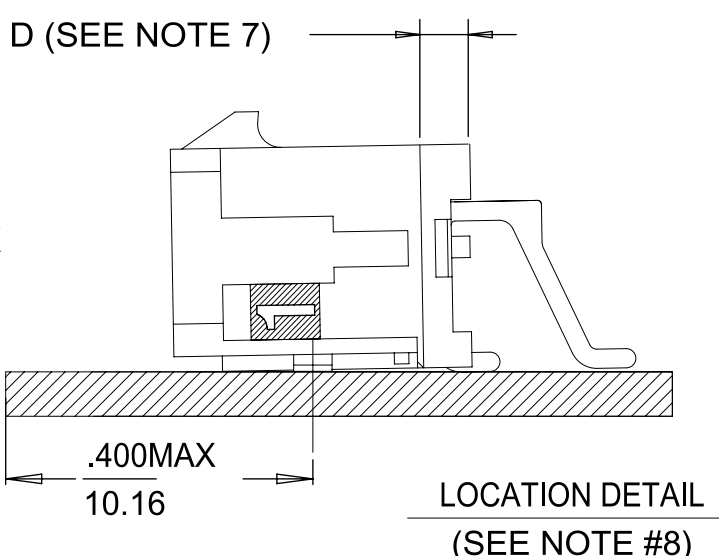
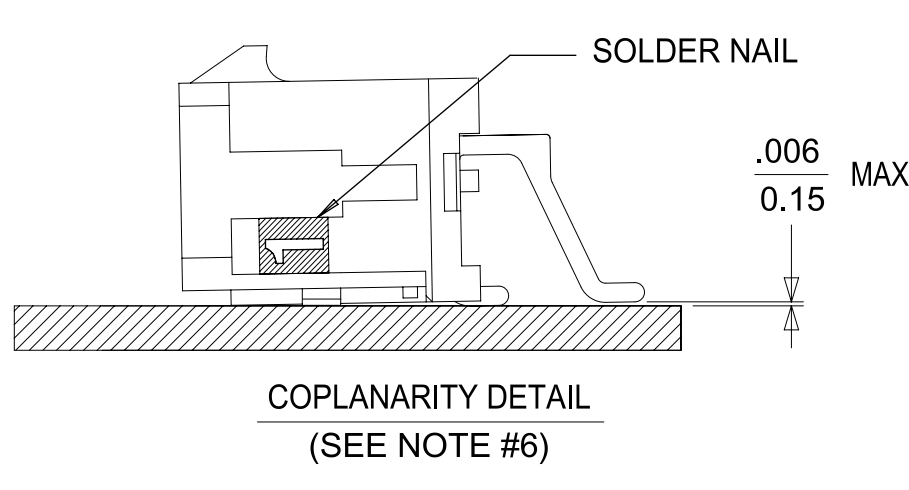
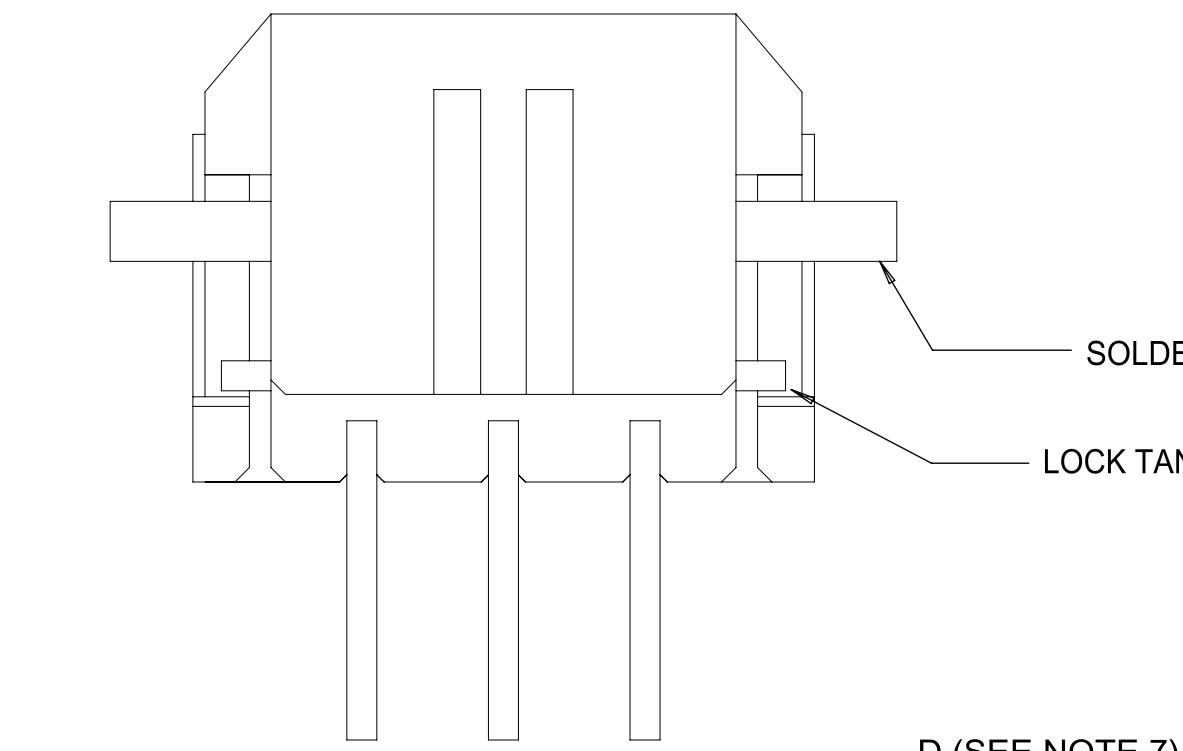
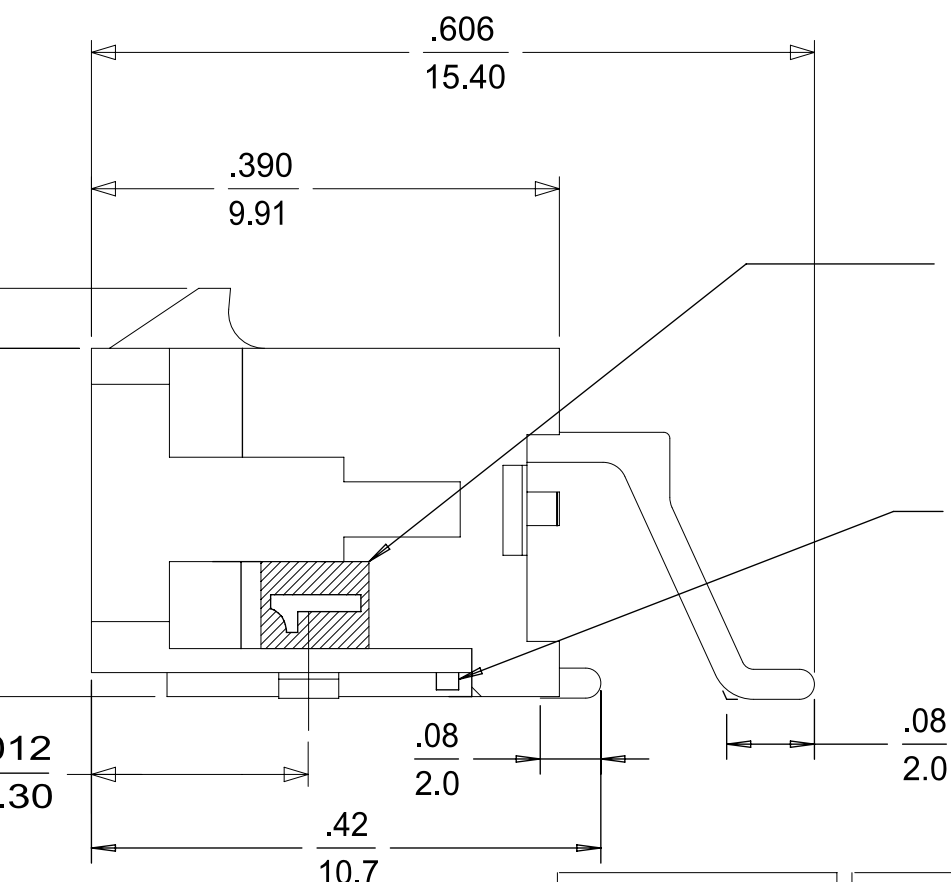
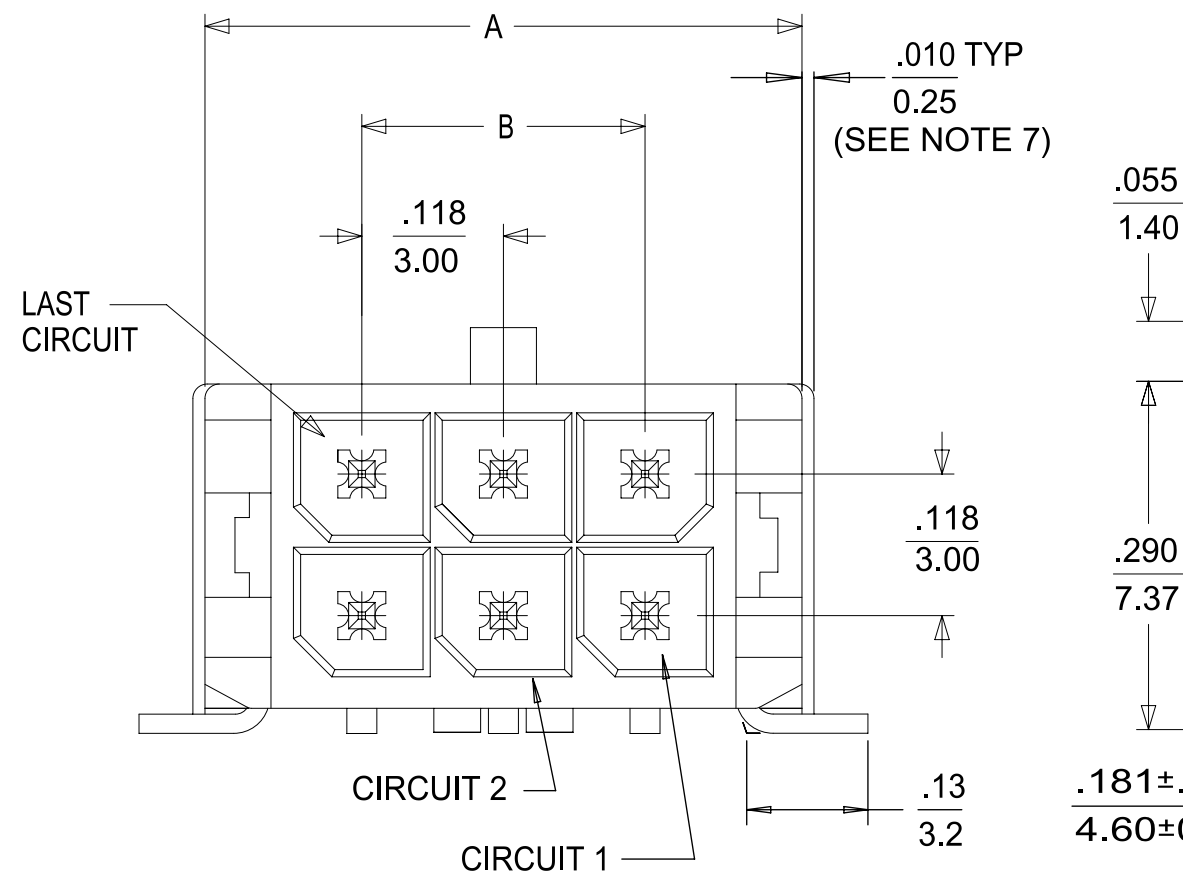
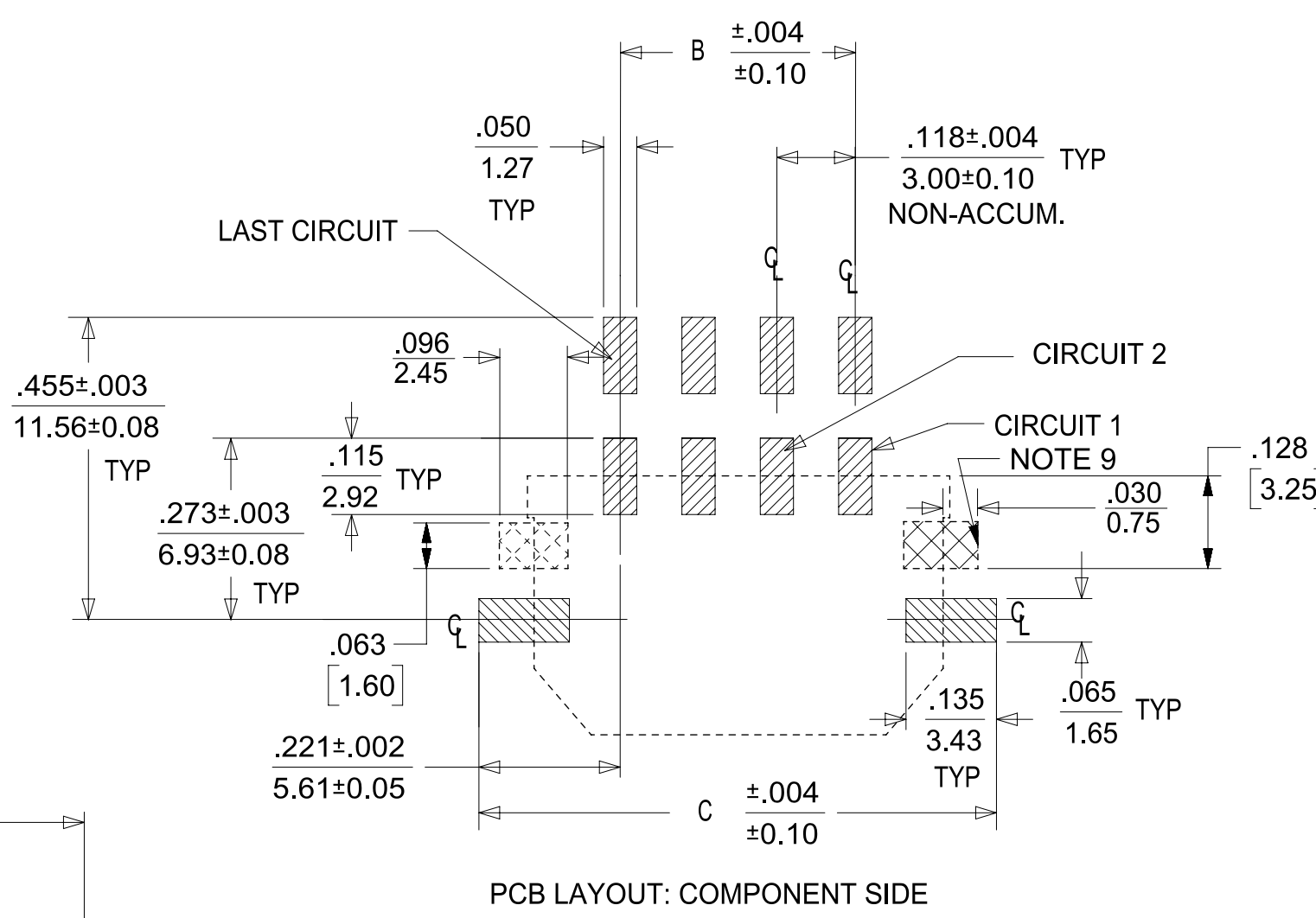
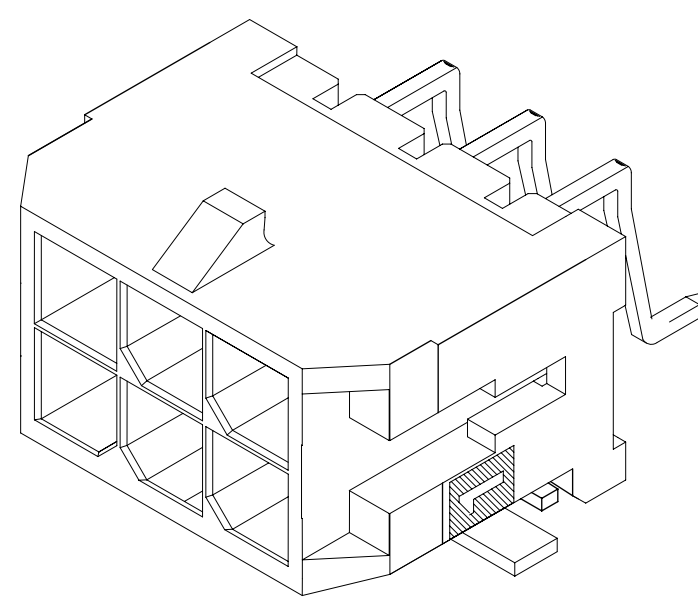
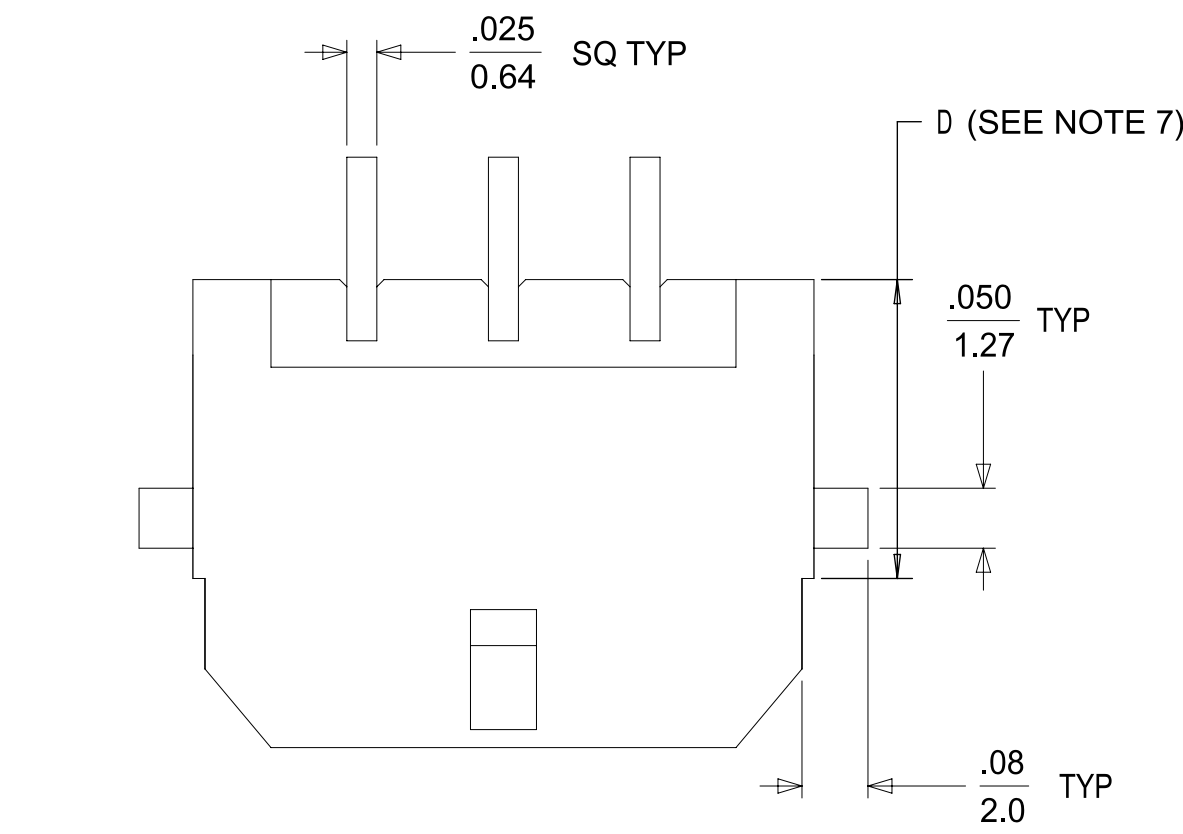
可配插/可连接使用的产品

可配插部件

描述	产品编号
----	------

Micro-Fit 3.0 Dual Row Receptacle Housings	<u>43025</u>
Micro-Fit TPA Receptacle Housings	<u>172952</u>
Micro-Fit 3.0 Female-to-Micro-Fit 3.0 Female Off-the-Shelf (OTS) Cable Assemblies	<u>214755</u>
Micro-Fit 3.0 Female-to-Pigtail Off-the-Shelf (OTS) Cable Assemblies	<u>214756</u>
Micro-fit 3.0-to-Micro-Fit 3.0 Off-the-Shelf (OTS) Overmolded Adapters and Cable Assemblies	<u>245132</u>

This document was generated on Jan 02, 2024



CKTS	FINISH A MATERIAL NO:	FINISH B MATERIAL NO:	FINISH C MATERIAL NO:	FINISH D MATERIAL NO:
02	43045-0209	43045-0210	43045-0211	43045-0292
04	43045-0409	43045-0410	43045-0411	43045-0492
06	43045-0609	43045-0610	43045-0611	43045-0692
08	43045-0809	43045-0810	43045-0811	43045-0892
10	43045-1009	43045-1010	43045-1011	43045-1092
12	43045-1209	43045-1210	43045-1211	43045-1292
14	43045-1409	43045-1410	43045-1411	43045-1492
16	43045-1609	43045-1610	43045-1611	43045-1692
18	43045-1809	43045-1810	43045-1811	43045-1892
20	43045-2009	43045-2010	43045-2011	43045-2092
22	43045-2209	43045-2210	43045-2211	43045-2292
24	43045-2409	43045-2410	43045-2411	43045-2492

- NOTES:
- HOUSING MATERIAL: GLASS FILLED LIQUID CRYSTAL POLYMER UL94V-0, COLOR: BLACK, TERMINAL MATERIAL: BRASS ALLOY
 - FINISH: A = .000060/(0.00152) MIN. REFLOWED MATTE TIN OVER .000050/(0.00127) MIN. NICKEL PLATE. (FINISH IS BRIGHT IN APPEARANCE, THICKNESS AS APPLIED PRIOR TO REFLOW).
B = .000015/(0.00038) MIN. GOLD IN SELECTIVE AREA; .000100/(0.00254) MIN. MATTE TIN ON SOLDER TAILS; BOTH OVER .000050/(0.00127) MIN. NICKLE PLATE.
C = .000030/(0.00076) MIN. GOLD IN SELECTIVE AREA; .000100/(0.00254) MIN. MATTE TIN ON SOLDER TAILS; BOTH OVER .000050/(0.00127) MIN. NICKLE PLATE.
D = .000100/(0.00254) MIN. MATTE TIN OVER .000050/(0.00127) MIN. NICKEL PLATE.
 - PRODUCT SPECIFICATION: PS-43045
 - TAPE AND REEL PACK: SEE MOLEX DRAWING 430450001-PK.
 - MATES WITH MOLEX RECEPTACLE SERIES 43025
 - THE COPLANARITY DIMENSION IS ESTABLISHED BY PLACING THE ASSEMBLY ON A FLAT SURFACE. THE DISTANCE FROM THAT SURFACE TO THE BOTTOM OF ANY TERMINAL OR NAIL MUST NOT EXCEED .006/0.15.
 - CIRCUIT SIZES 2-6: "D" IS 0.265/6.74 FOR .010/0.25 STEP. CIRCUIT SIZES 8-24: "D" IS .063/1.60 FOR .010/0.25 STEP.
 - TO AVOID INTERFERENCE BETWEEN RECEPTACLE AND PCB, HEADER MUST BE PLACED WITHIN .400/(10.16) MAX. FROM EDGE OF PCB, AS SHOWN IN LOCATION DETAIL.
 - METAL TAB MAY BE FLUSH WITH PCB. NO EXPOSED TRACES OR VIAS ALLOWED NEAR THESE AREAS.
 - THIS PART CONFORMS TO CLASS B REQUIREMENTS OF COSMETIC SPECIFICATION PS-45499-002.
 - TEXT ON PART IS FOR REFERENCE ONLY. TEXT AND TEXT LOCATION MAY VARY DEPENDING ON PART NUMBER AND/OR TOOL.

CKTS	A	B	C
02	.262 6.65	NA	.441 11.20
04	.380 9.65	.118 3.00	.559 14.20
06	.498 12.65	.236 6.00	.677 17.20
08	.616 15.65	.354 9.00	.795 20.20
10	.734 18.65	.472 12.00	.913 23.20
12	.852 21.65	.591 15.00	1.031 26.20
14	.970 24.65	.709 18.00	1.150 29.20
16	1.088 27.65	.827 21.00	1.268 32.20
18	1.206 30.65	.945 24.00	1.386 35.20
20	1.325 33.65	1.063 27.00	1.504 38.20
22	1.443 36.65	1.181 30.00	1.622 41.20
24	1.561 39.65	1.299 33.00	1.740 44.20

THIS DRAWING CONTAINS INFORMATION THAT IS PROPRIETARY TO MOLEX ELECTRONIC TECHNOLOGIES, LLC AND SHOULD NOT BE USED WITHOUT WRITTEN PERMISSION

SYMBOLS: $\nabla = 0$, $\nabla = 0$, $\nabla = 0$, $\nabla = 0$, $\nabla = 0$, $\nabla = 0$, $\nabla = 0$, $\nabla = 0$, $\nabla = 0$, $\nabla = 0$, $\nabla = 0$, $\nabla = 0$

DIMENSION UNITS: IN/MM, SCALE: NTS

GENERAL TOLERANCES (UNLESS SPECIFIED):
 4 PLACES ±, 3 PLACES ±, 2 PLACES ±, 1 PLACE ±, 0 PLACES ±
 ANGULAR TOL ± 0.5°

CURRENT REV DESC: MICROFIT PK SPEC REF

EC NO: 611607
 DRWN: SALHAMY 2018/12/26
 CHK'D: SSOUSEK 2019/08/09
 APPR: FSMITH 2019/08/15

INITIAL REVISION:
 DRWN: SAMIEC 2000/03/15
 APPR: FSMITH 2016/02/26

DRAFT WHERE APPLICABLE MUST REMAIN WITHIN DIMENSIONS

THIRD ANGLE PROJECTION

DRAWING: C-SIZE, SERIES: 43045

molex

MICRO FIT (3.0) RIGHT ANGLE SMT, NAILS DUAL ROW HEADER

PRODUCT CUSTOMER DRAWING

DOCUMENT NUMBER: SD-43045-004, DOC TYPE: PSD, DOC PART: 000, REVISION: G7

MATERIAL NUMBER: SEE CHART, CUSTOMER: GENERAL MARKET, SHEET NUMBER: 1 OF 1