



产品编号 : 431600103

系列号 : 43160

Product Category : PCB Headers and Receptacles

Product Description : Sabre Vertical Header, 3 Circuits, Glow-Wire Capable, PCB Thickness 1.60mm, without Board Lock

状态 : Active

文件和资源

图纸

图纸 431600103_sd.pdf

包装设计图 PK-43160-0010-001.pdf

3D 模型和设计文件

3D模型 431600103_stp.zip

符号足迹数据 SYM-43160-0103-001.zip


规格

产品规格 PS-44441-9999-001.pdf

测试摘要 444410000-TS-000.pdf

产物环境合规

合规

GADSL/IMDS	Compliant with Exemption 44; 33
China RoHS	
EU ELV	Not Relevant
Low-Halogen Status	Not Low-Halogen per IEC 61249-2-21
REACH SVHC	Not Contained per D(2023)8585-DC (23 Jan 2024)
EU RoHS	Compliant per EU 2015/863

多部分产品合规性声明

- Eu RoHS
- REACH SVHC
- Low-Halogen

- IPC 1752A Class C
- IPC 1752A Class D

- Molex Product Compliance Declaration

- IEC-62474

- chemSHERPA (xml)

欧盟 RoHS 合格证书

产品详情

常规

状态	活动
类别	PCB Headers and Receptacles
系列	43160
说明	Sabre Vertical Header, 3 Circuits, Glow-Wire Capable, PCB Thickness 1.60mm, without Board Lock
应用	Power, Wire-to-Board
个评论	Fully Polarized, high power wire-to-board and wire-to-wire connector system; This Molex product is manufactured from material that has the following ratings, tested by independent agencies: a) A Glow Wire Ignition Temperature (GWIT) of at least 775 deg C per IEC 60695-2-13. b) A Glow Wire Flammability Index (GWFI) above 850 deg C per IEC 60695-2-12 and hence complies with the requirements set out in the International Standard IEC 60335-1 5th edition - household and similar electrical appliances - safety, section 30 Resistance to heat and fire. The customers using this product must determine its suitability for use in their particular application through testing or other acceptable means as described in end-product glow-wire flammability test standard IEC 60695-2-11 and any applicable product end-use standard(s). If it is determined during the customer's evaluation of suitability, that higher performance is required, please contact Molex for possible product options.
元件类型	PCB Header
产品系列	Sabre Power Connector
产品名称	Sabre

UPC	800754377515
-----	--------------

机构

CSA	LR19980
UL	E29179

电气

每触点最大电流	18.0A
电压 - 最大	600V

物理

断开	否
回路数 (已载入)	3
电路数 (最多)	3
颜色-树脂	黑色
耐用性(插拔次数) - 最多次数	25
先接后断	否
阻燃性	94V-0
符合灼热丝规范	是
可配插产品指南	否
插接极性	是
锁定插接部位	是
材料 - 金属	Brass
材料 - 接合部位电镀	Tin
材料 - 终端电镀	Tin
材料 - 树脂	High Temperature Thermoplastic
净重	3.789/g
行数	1
方向	垂直
包装形式	Bag
PC 焊脚长度	3.81mm
PCB 定位器	是
PCB 保持力	不适用
推荐的 PCB 厚度	1.60mm
间距 - 插配接口	7.50mm

间距 - 终端界面	7.50mm
最薄镀层 - 接合部位	0.889µm
最薄镀层 - 端接	0.889µm
有极性的插配件	是
PCB 极性	是
有护墙的	Fully
可堆叠的	否
运行温度范围	-40° to +75° C
终端界面类型	Through Hole

进程

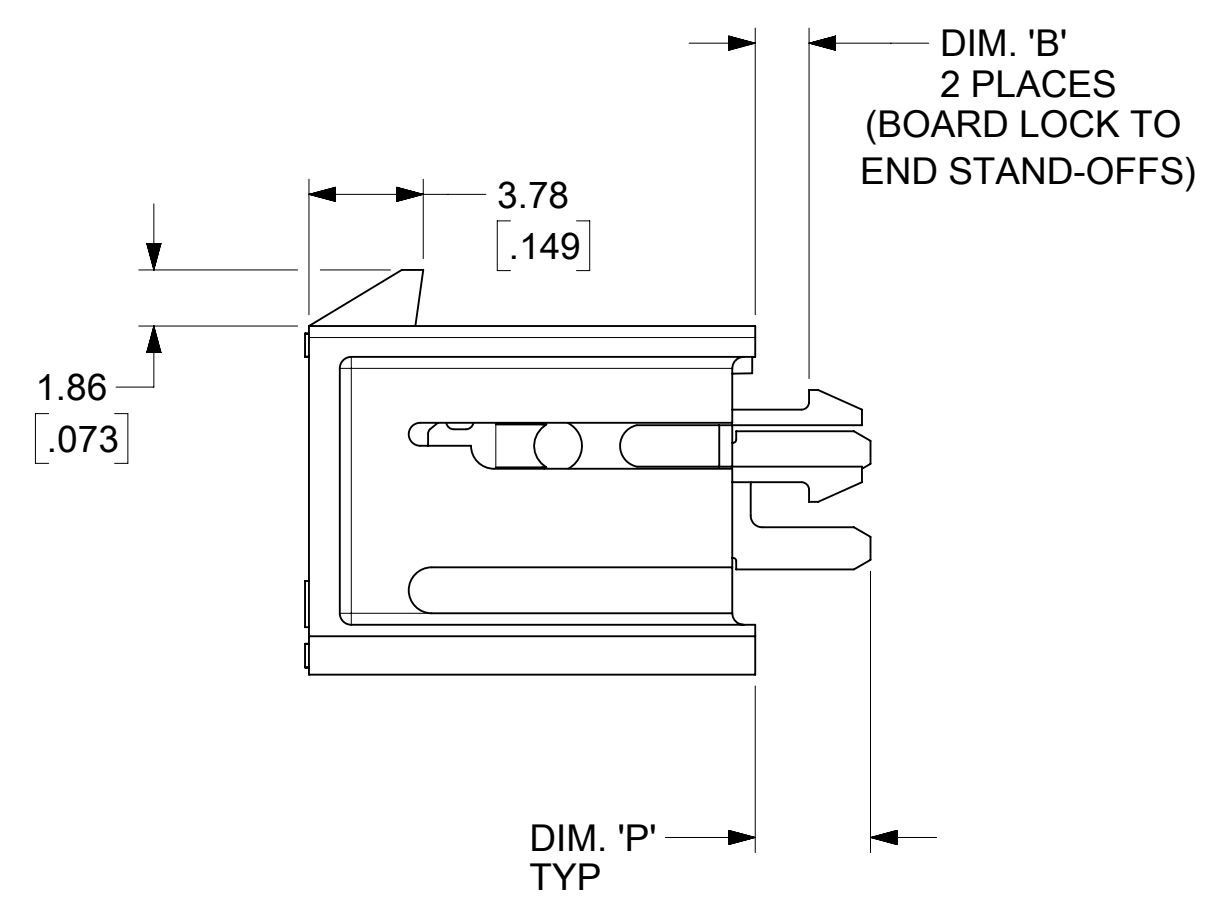
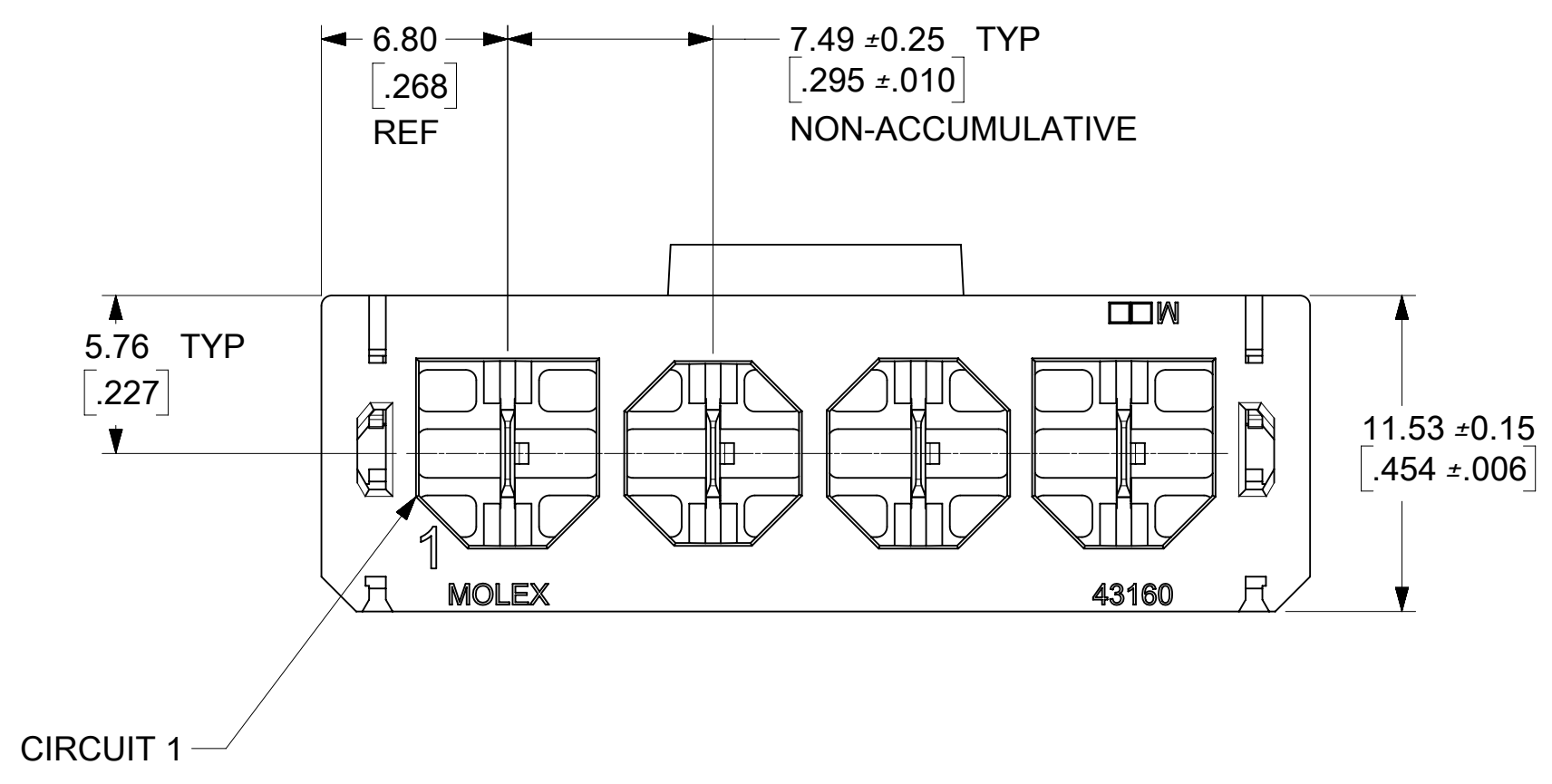
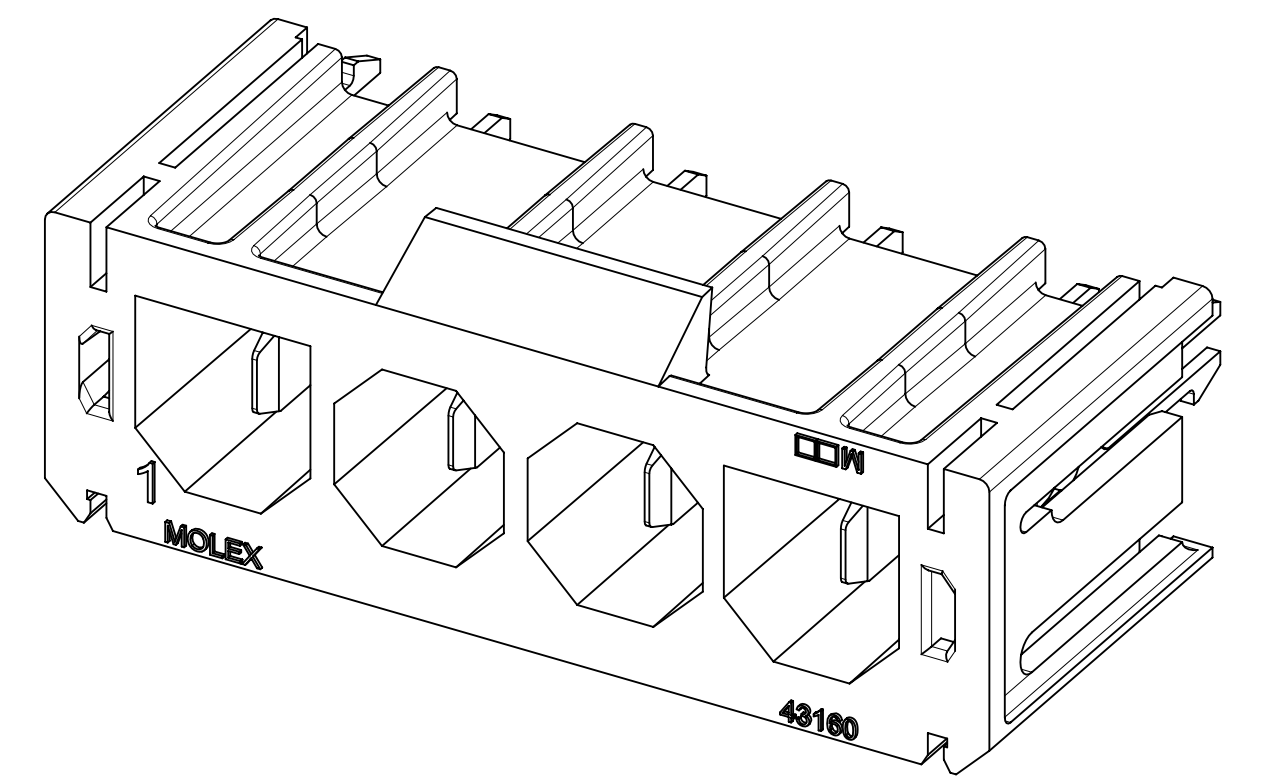
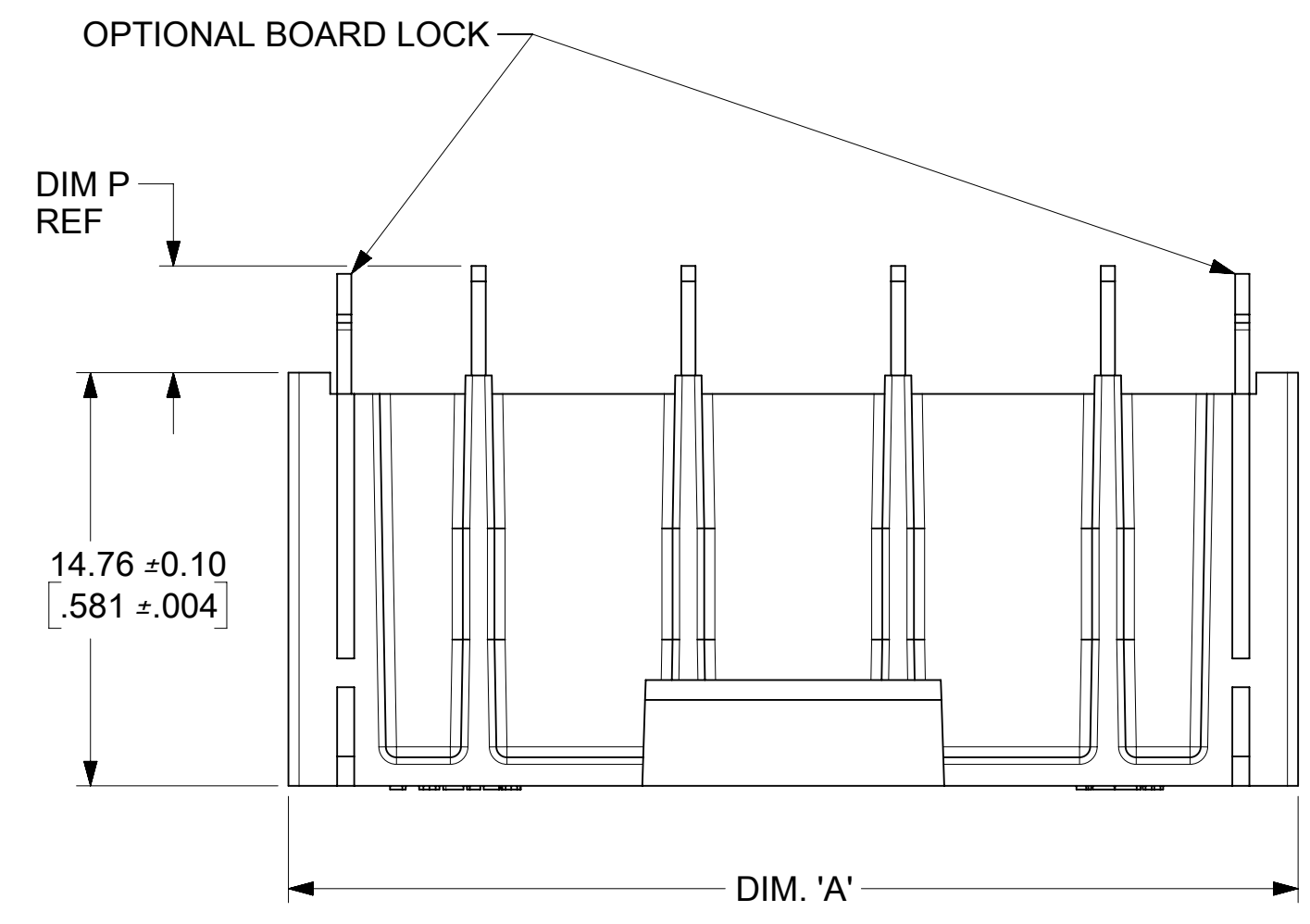
最长持续时间	5
无铅	WAVE
最大周期	1
最高温度	235

可配插/可连接使用的产品

可配插部件

描述	产品编号
7.50mm Pitch Sabre Receptacle Crimp Housing, UL 94V-0, 3 Circuits, Black	<u>444412003</u>

CIRCUITS	DIM. 'A' ± $\frac{0.33}{.013}$
2	$\frac{21.08}{.830}$
3	$\frac{28.58}{1.125}$
4	$\frac{36.07}{1.420}$
5	$\frac{43.56}{1.715}$
6	$\frac{51.05}{2.010}$
8	$\frac{66.04}{2.600}$



SHEETS 1 AND 2: VERTICAL HEADERS
SHEETS 3 AND 4: RIGHT ANGLE HEADERS
SHEET 5: POLARIZATION

- INSULATOR MATERIAL: 30% GLASS FILLED 4/6 NYLON UL94V-0, COLOR: BLACK
TERMINAL MATERIAL : BRASS
- TERMINAL FINISH: OVERALL REFLOWED MATTE TIN: 0.00152/.000060 MIN OVER 0.00127/.000050 MIN NICKEL.
- PRODUCT SPECIFICATION PS-44441-9999.
- PACKAGING: SEE CHART
- THIS HEADER MATES WITH 44441 OR 43335 SERIES RECEPTACLE HOUSINGS.
- THIS PART CONFORMS TO CLASS B REQUIREMENTS OF MOLEX COSMETIC SPECIFICATION PS-45499-002
- TEXT ON PART IS FOR REFERENCE ONLY. TEXT AND TEXT LOCATION MAY VARY DEPENDING ON PART NUMBER AND/OR TOOL.
- PART DESIGNED IN INCHES.

SYMBOLS		THIS DRAWING CONTAINS INFORMATION THAT IS PROPRIETARY TO MOLEX ELECTRONIC TECHNOLOGIES, LLC AND SHOULD NOT BE USED WITHOUT WRITTEN PERMISSION	
DIMENSION UNITS	SCALE	CURRENT REV DESC: CORRECTED DIMENSION UNITS IN TITLE BLOCK	
$\nabla = 0$	MM/IN 4:1		
$\nabla = 0$	GENERAL TOLERANCES (UNLESS SPECIFIED)		
$\nabla = 0$		EC NO: 637904	
$\nabla = 0$		DRWN: BZAPPA	2020/05/19
$\nabla = 0$		CHK'D: MKIPPER	2020/05/21
$\nabla = 0$		APPR: FSMITH	2020/05/26
$\nabla = 0$		INITIAL REVISION:	
$\nabla = 0$		DRWN: MKIPPER	2019/09/06
$\nabla = 0$		APPR: FSMITH	2019/09/17
$\nabla = 0$		THIRD ANGLE PROJECTION	
$\nabla = 0$		DRAFT WHERE APPLICABLE MUST REMAIN WITHIN DIMENSIONS	
		DRAWING C-SIZE	SERIES 43160
		MATERIAL NUMBER	CUSTOMER
		SEE CHARTS	GENERAL MARKET
		DOCUMENT NUMBER	DOC TYPE DOC PART REVISION
		431600001-SD	PSD 000 A1
		SHEET NUMBER	1 OF 5

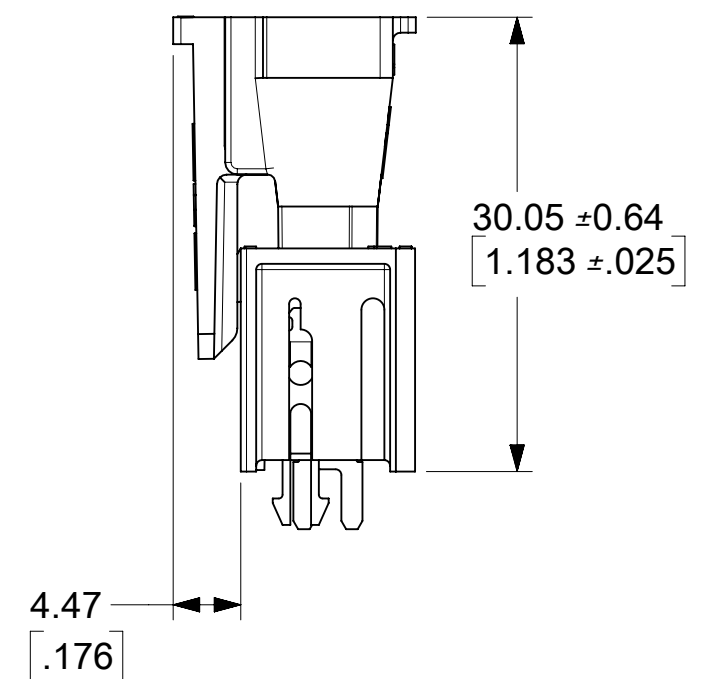
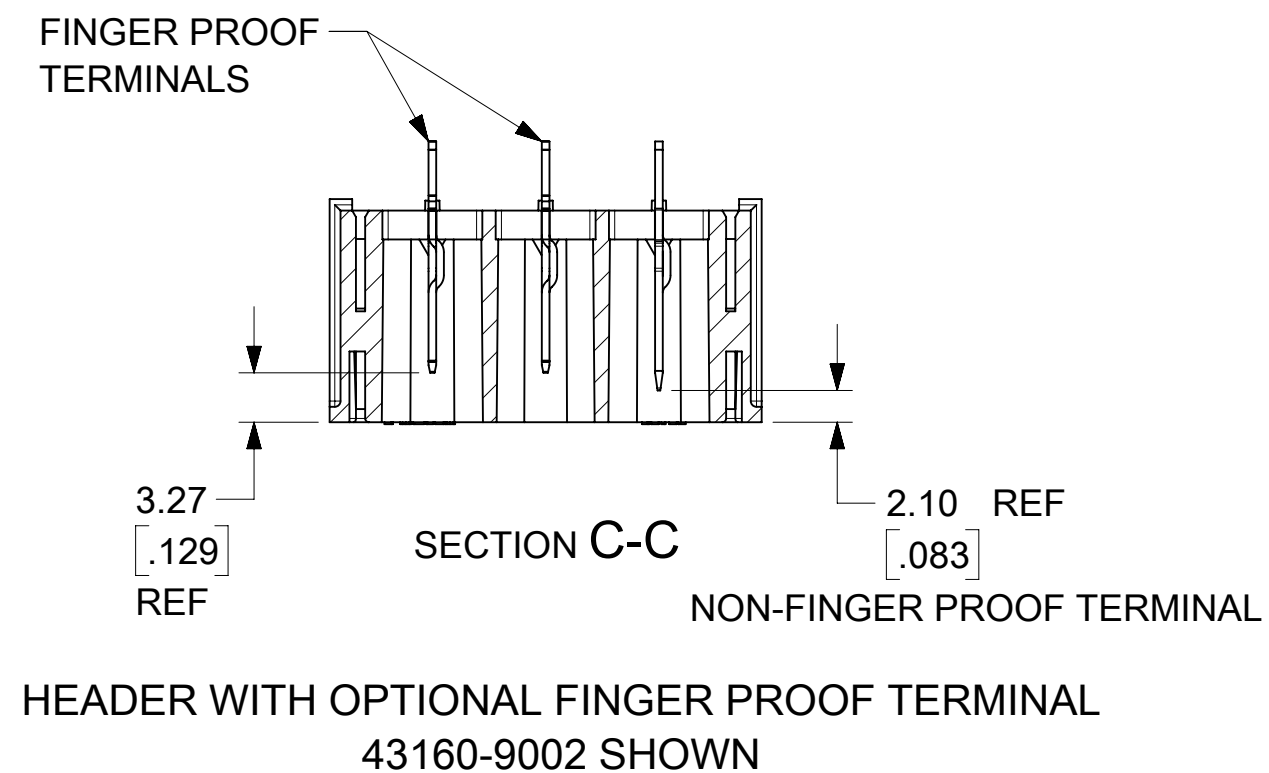
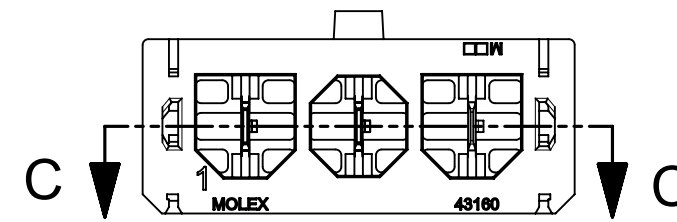
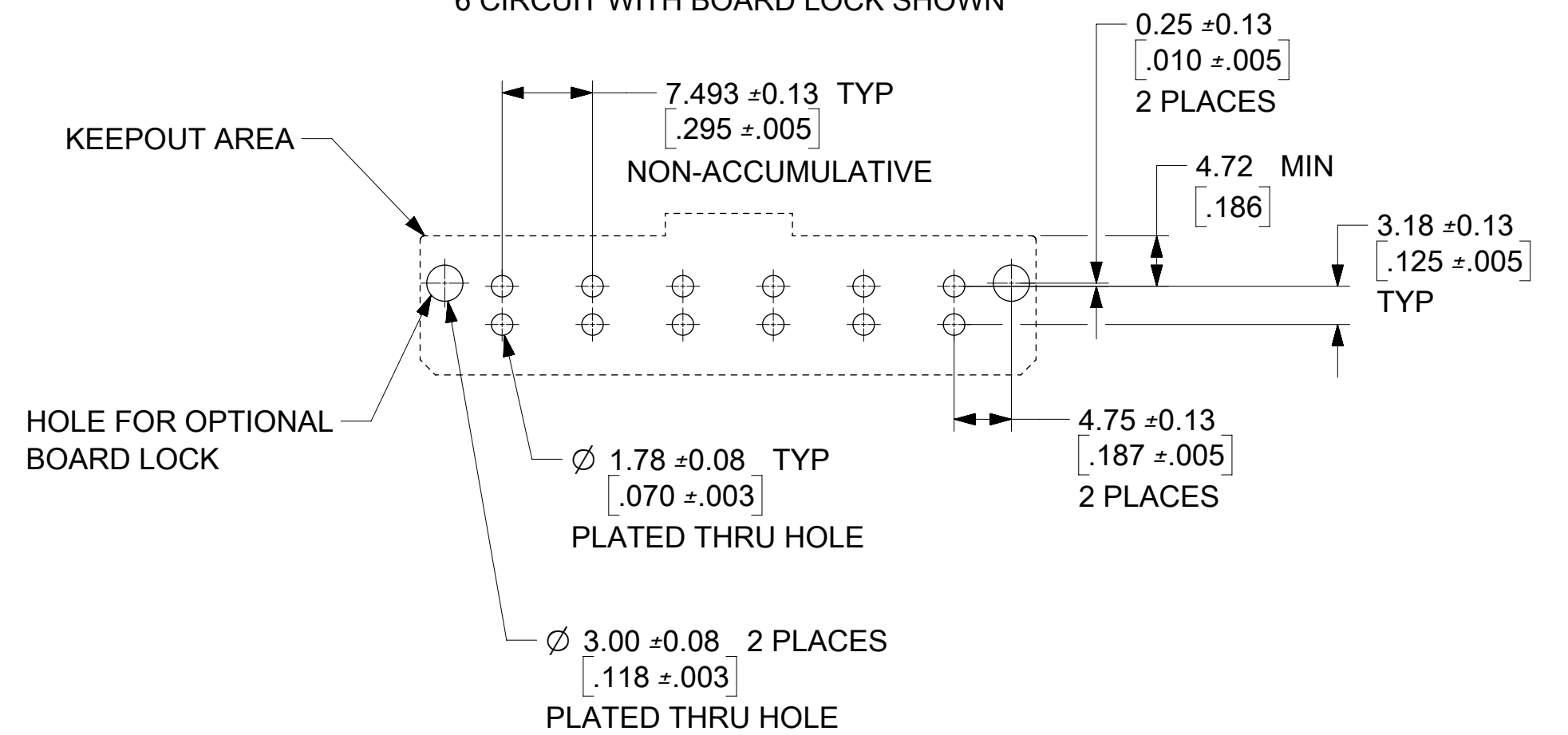
DOCUMENT STATUS	P1	RELEASE DATE	2020/05/26 17:59:01
12	11	10	9

THIS DRAWING REPLACES SDA-43160-****

VERTICAL HEADER ASSEMBLIES					
ASSEMBLY PART NO.	CIRCUITS	DIM. 'P' ± $\frac{0.51}{.020}$	BOARD LOCK	DIM. 'B' ± $\frac{0.10}{.004}$	PACKAGING SPEC.
43160-0102	2	3.81/(.150) (SHORT TAIL)	NO	N/A	PK-43160-0010
43160-0103	3				
43160-0104	4				
43160-0105	5				
43160-0106	6				
43160-0108	8				
43160-0302	2	5.33/(.210) (LONG TAIL)	NO	N/A	PK-43789-001
43160-0303	3				
43160-0304	4				
43160-0305	5				
43160-0306	6				
43160-0308	8				
43160-2102	2	3.81/(.150) (SHORT TAIL)	YES	1.78/(.070) FOR 1.57/(.062) PCB	PK-43789-001
43160-2103	3				
43160-2104	4				
43160-2105	5				
43160-2106	6				
43160-2108	8				
43160-4102	2	3.81/(.150) (SHORT TAIL)	YES	2.59/(.102) FOR 2.39/(.094) PCB	PK-43789-001
43160-4103	3				
43160-4104	4				
43160-4105	5				
43160-4106	6				
43160-4108	8				
43160-4302	2	5.33/(.210) (LONG TAIL)	YES	2.59/(.102) FOR 2.39/(.094) PCB	PK-43789-001
43160-4303	3				
43160-4304	4				
43160-4305	5				
43160-4306	6				
43160-4308	8				
43160-6302	2	5.33/(.210) (LONG TAIL)	YES	3.38/(.133) FOR 3.18/(.125) PCB	PK-43789-001
43160-6303	3				
43160-6304	4				
43160-6305	5				
43160-6306	6				
43160-6308	8				
ASSEMBLY PART NO.	CIRCUITS	DIM. 'P'	BOARD LOCK	DIM. 'B'	PACKAGING SPEC.

RECOMMENDED P.C. BOARD LAYOUT FOR VERTICAL HEADERS

6 CIRCUIT WITH BOARD LOCK SHOWN



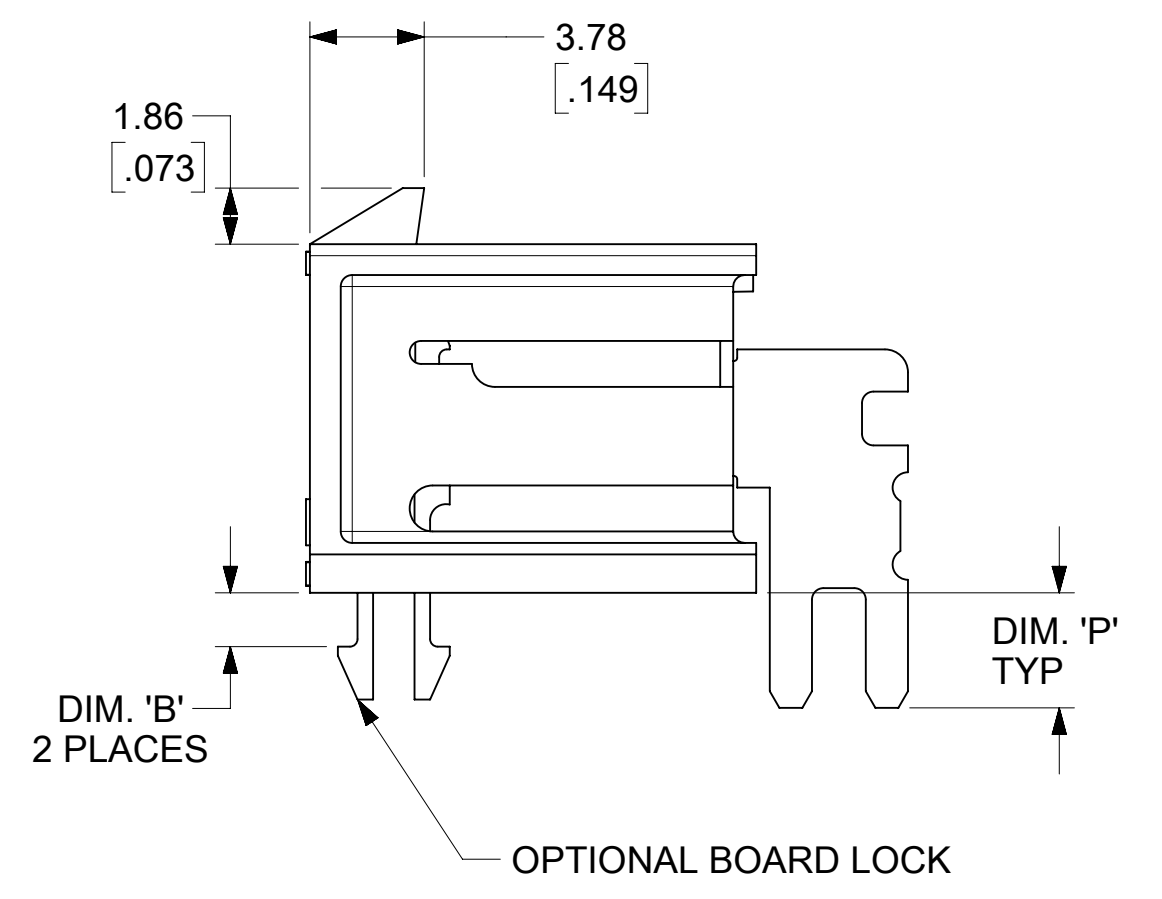
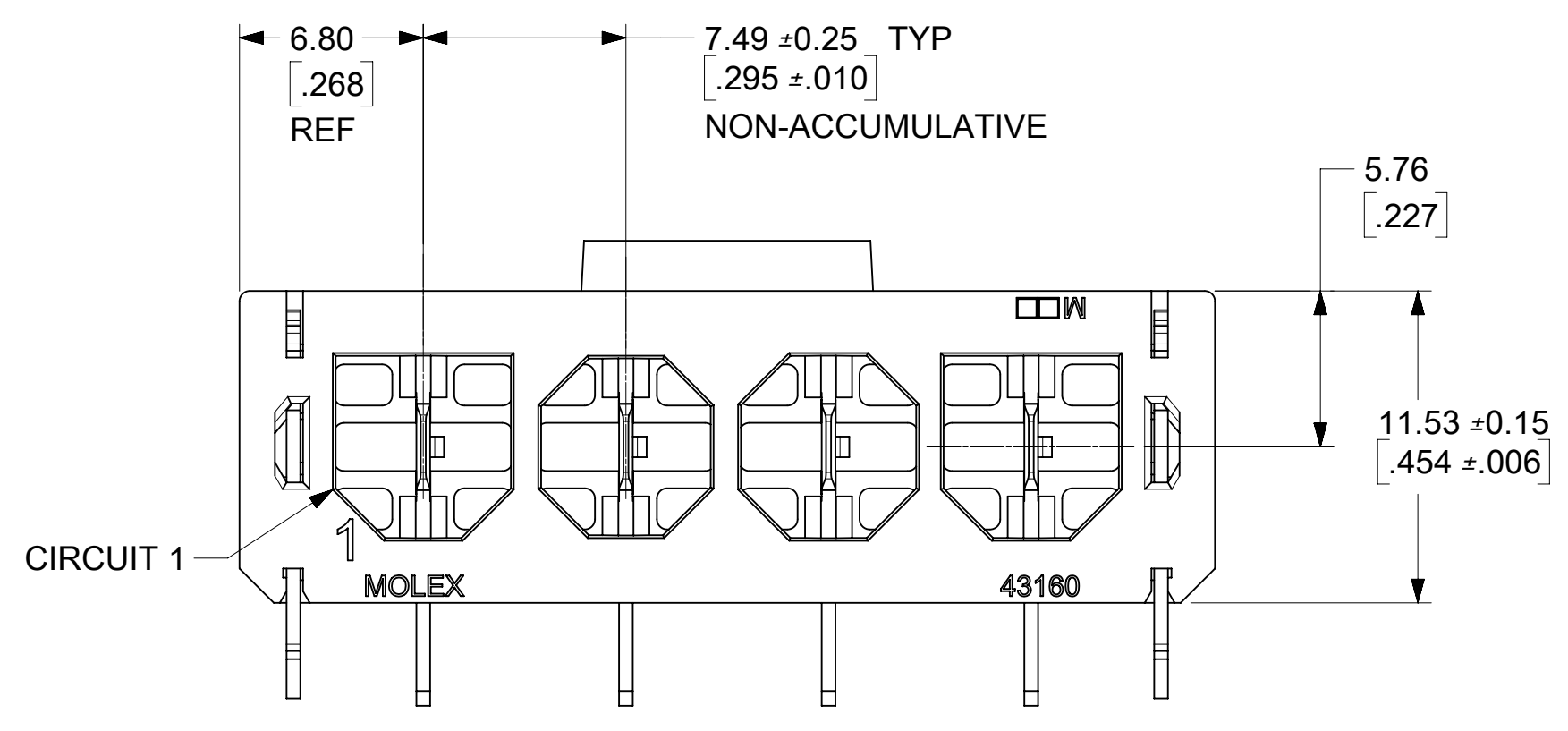
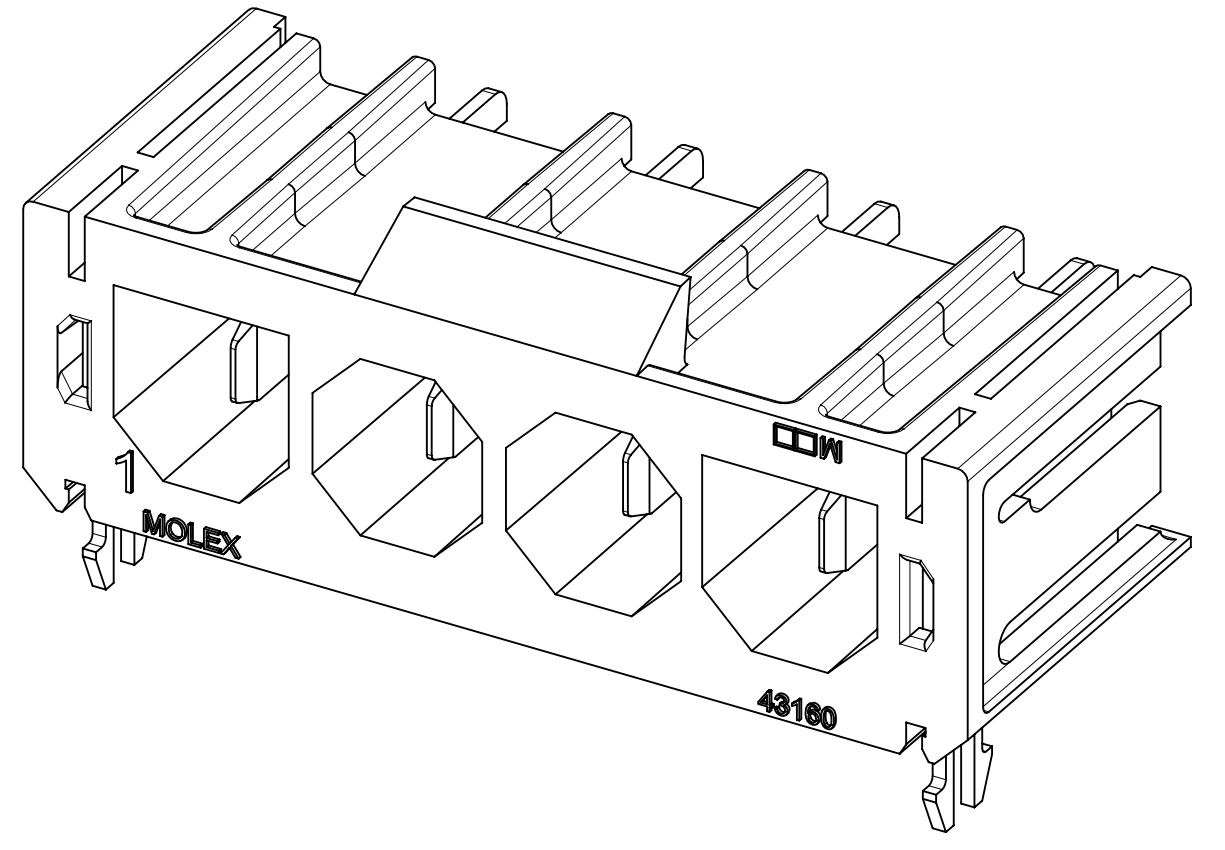
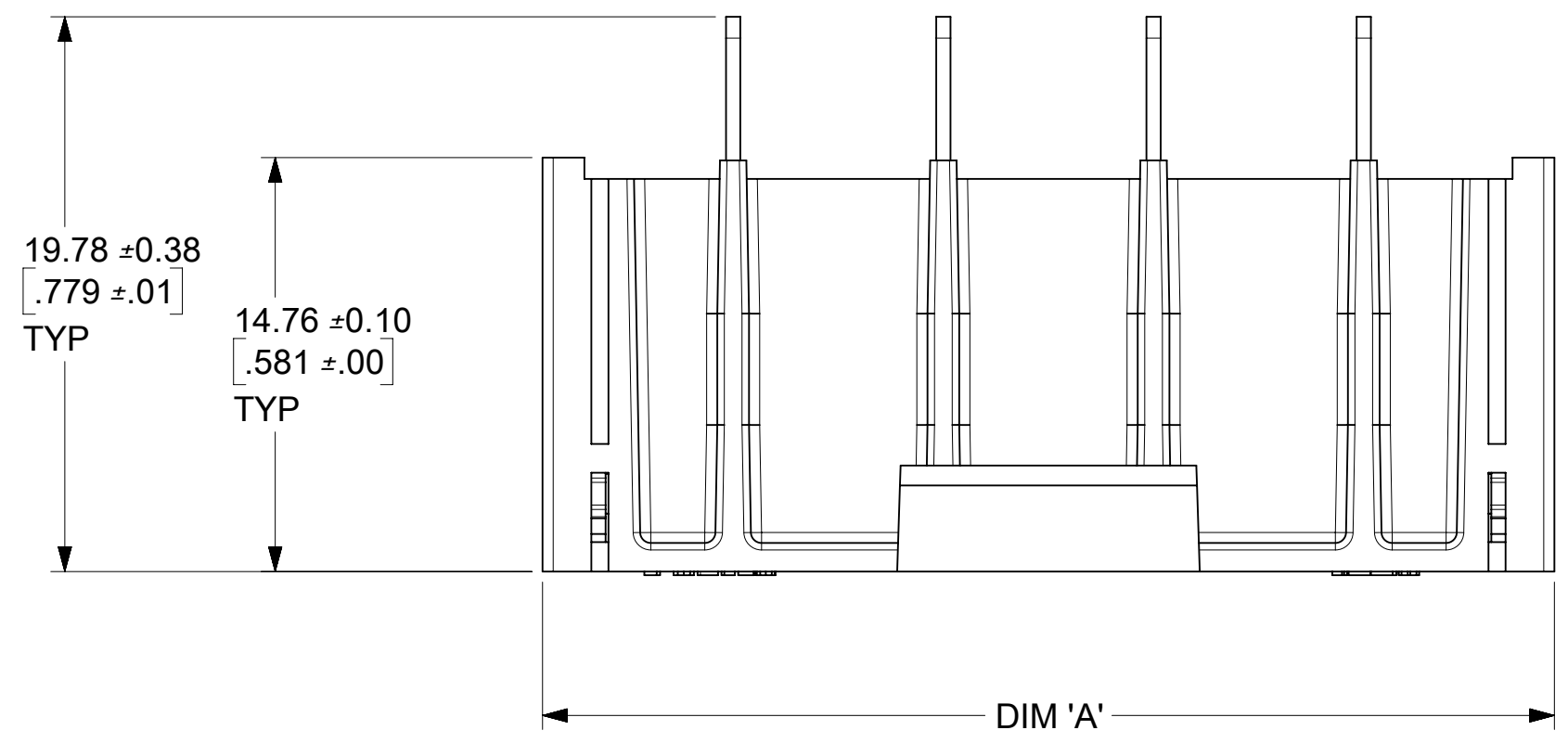
MATED DIMENSIONS VERTICAL HEADERS

FINGER PROOF VERTICAL HEADER ASSEMBLIES

ASSEMBLY PART NO.	CIRCUITS	FINGER PROOF TERMINAL CIRCUIT(S)	DIM. 'P' ± $\frac{0.51}{.020}$	BOARD LOCK	DIM. 'B' ± $\frac{0.10}{.004}$	PACKAGING SPEC.
43160-9002	3	1, 2	3.81/(.150) (SHORT TAIL)	NO	N/A	PK-43160-0010

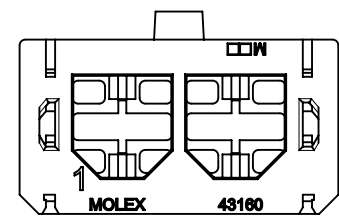
SYMBOLS	THIS DRAWING CONTAINS INFORMATION THAT IS PROPRIETARY TO MOLEX ELECTRONIC TECHNOLOGIES, LLC AND SHOULD NOT BE USED WITHOUT WRITTEN PERMISSION		CURRENT REV DESC: CORRECTED		molex
	MM/IN	SCALE 2:1	DIMENSION UNITS IN TITLE BLOCK		
▽ = 0	GENERAL TOLERANCES (UNLESS SPECIFIED)		EC NO: 637904		SABRE HEADER ASSEMBLY 2-6 & 8 CIRCUIT .125/(.18) X .020/(.051)
▽ = 0	4 PLACES ±		DRWN: BZAPPA 2020/05/19		
▽ = 0	3 PLACES ±		CHK'D: MKIPPER 2020/05/21		
▽ = 0	2 PLACES ± 0.13 ± 0.01		APPR: FSMITH 2020/05/26		
▽ = 0	1 PLACE ± 0.25 ±		INITIAL REVISION:		
▽ = 0	0 PLACES ±		DRWN: MKIPPER 2019/09/06		
▽ = 0	ANGULAR TOL ± 0.5°		APPR: FSMITH 2019/09/17		
▽ = 0	DRAFT WHERE APPLICABLE MUST REMAIN WITHIN DIMENSIONS		THIRD ANGLE PROJECTION	DRAWING C-SIZE	SERIES 43160
DOCUMENT STATUS P1 RELEASE DATE 2020/05/26 17:59:01			DOCUMENT NUMBER 431600001-SD		DOC TYPE PSD
			CUSTOMER GENERAL MARKET		DOC PART 000
			SHEET NUMBER 2 OF 5		REVISION A1

CIRCUITS	DIM. 'A' ±	0.33 .013
2	21.08	.830
3	28.58	1.125
4	36.07	1.420
5	43.56	1.715
6	51.05	2.010
8	66.04	2.600

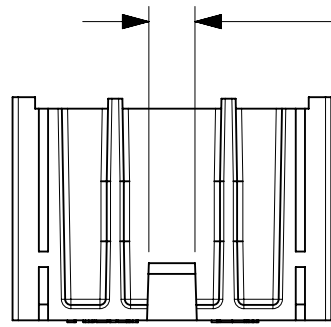


SYMBOLS	THIS DRAWING CONTAINS INFORMATION THAT IS PROPRIETARY TO MOLEX ELECTRONIC TECHNOLOGIES, LLC AND SHOULD NOT BE USED WITHOUT WRITTEN PERMISSION													
	DIMENSION UNITS		SCALE		CURRENT REV DESC: CORRECTED DIMENSION UNITS IN TITLE BLOCK									
∇ = 0	MM/IN	4:1		GENERAL TOLERANCES (UNLESS SPECIFIED)		EC NO: 637904				DOCUMENT NUMBER			DOC TYPE	DOC PART
∇ = 0							DRWN: BZAPPA		2020/05/19		PSD		000	A1
∇ = 0							CHK'D: MKIPPER		2020/05/21		PRODUCT CUSTOMER DRAWING			
S = 0	4 PLACES ±		±				APPR: FSMITH		2020/05/26		431600001-SD			
∇ = 0	3 PLACES ±		± 0.005				INITIAL REVISION:		2019/09/06		MATERIAL NUMBER		CUSTOMER	
∇ = 0	2 PLACES ±		± 0.13 ± 0.01				DRWN: MKIPPER		2019/09/17		SEE CHARTS		GENERAL MARKET	
∇ = 0	1 PLACE ±		± 0.25 ±				APPR: FSMITH				SHEET NUMBER		3 OF 5	
∇ = 0	0 PLACES ±		±				DRAFT WHERE APPLICABLE MUST REMAIN WITHIN DIMENSIONS		THIRD ANGLE PROJECTION		DRAWING		SERIES	
∇ = 0							C-SIZE		43160					

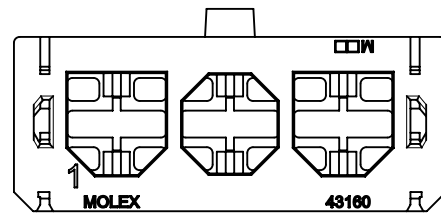
DOCUMENT STATUS	P1	RELEASE DATE	2020/05/26	17:59:01
-----------------	----	--------------	------------	----------



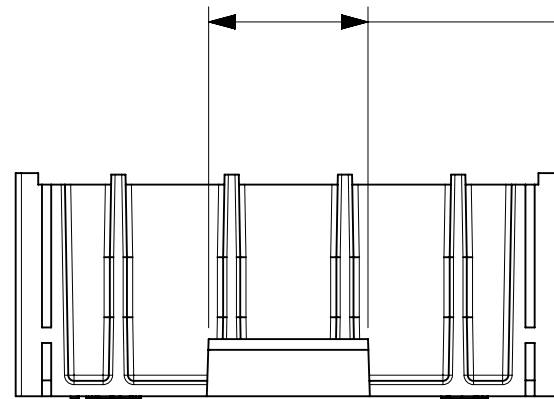
2 CIRCUITS



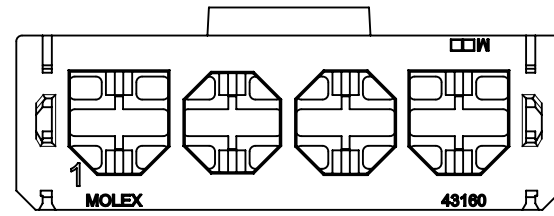
3.05
.120
2 AND 3 CIRCUIT



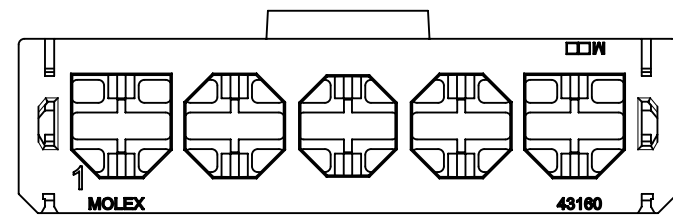
3 CIRCUITS



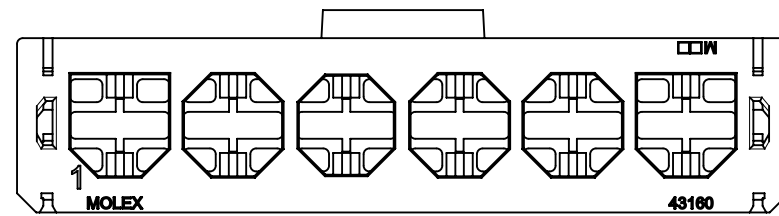
10.54
.415
4 CIRCUIT AND UP



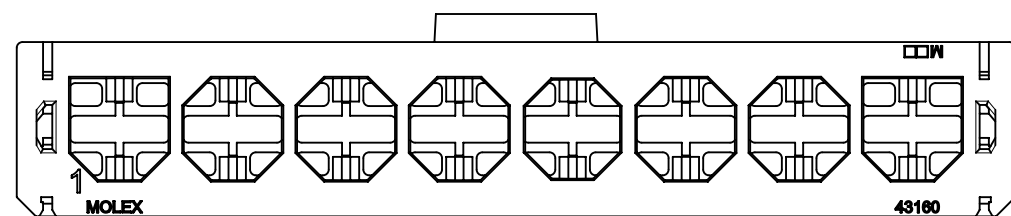
4 CIRCUITS



5 CIRCUITS



6 CIRCUITS



8 CIRCUITS

POLARIZATION

SYMBOLS	THIS DRAWING CONTAINS INFORMATION THAT IS PROPRIETARY TO MOLEX ELECTRONIC TECHNOLOGIES, LLC AND SHOULD NOT BE USED WITHOUT WRITTEN PERMISSION				
	DIMENSION UNITS	SCALE		CURRENT REV DESC: CORRECTED	
∇ = 0	MM/IN	2:1		DIMENSION UNITS IN TITLE BLOCK	
∇ = 0	GENERAL TOLERANCES (UNLESS SPECIFIED)				
∇ = 0		MM	INCH	EC NO: 637904	
∇ = 0	4 PLACES	±	±	DRWN: BZAPPA	2020/05/19
∇ = 0	3 PLACES	±	± 0.005	CHK'D: MKIPPER	2020/05/21
∇ = 0	2 PLACES	± 0.13	± 0.01	APPR: FSMITH	2020/05/26
∇ = 0	1 PLACE	± 0.25	±	INITIAL REVISION:	
∇ = 0	0 PLACES	±	±	DRWN: MKIPPER	2019/09/06
∇ = 0	ANGULAR TOL	± 0.5 °		APPR: FSMITH	2019/09/17
∇ = 0	DRAFT WHERE APPLICABLE MUST REMAIN WITHIN DIMENSIONS		THIRD ANGLE PROJECTION	DRAWING	SERIES
				C-SIZE	43160
DOCUMENT STATUS		P1	RELEASE DATE	2020/05/26	17:59:01
DOCUMENT NUMBER		CUSTOMER		DOC TYPE	DOC PART
431600001-SD		GENERAL MARKET		PSD	000
MATERIAL NUMBER		SHEET NUMBER		REVISION	
SEE CHARTS		5 OF 5		A1	