



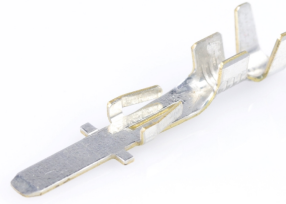
产品编号 : [431781002](#)

Product Description : Sabre Crimp Terminal, Male, 18 AWG, 3.30mm Max. Insulation Diameter, Reel Packaged, Tin (Sn) Plated Brass Contact

系列号 : 43178

状态 : Active

Product Category : Crimp Terminals



---

## 文件和资源

### 图纸

[图纸 431781002\\_sd.pdf](#)

[包装设计图 431780000-PK-000.pdf](#)

### 规格

[产品规格 PS-44441-9999-001.pdf](#)

[测试摘要 444410000-TS-000.pdf](#)

---

## 产物环境合规

### 合规

GADSL/IMDS	Not Relevant
China RoHS	
EU ELV	Not Relevant
Low-Halogen Status	Low-Halogen per IEC 61249-2-21
REACH SVHC	Not Contained per D(2023)3788-DC (14 Jun 2023)
EU RoHS	Compliant per EU 2015/863

### 多部分产品合规性声明

- Eu RoHS
- REACH SVHC
- Low-Halogen

### 多部分行业合规性文件

- IPC 1752A Class C
- IPC 1752A Class D
- Molex Product Compliance Declaration

- IEC-62474

- chemSHERPA (xml)

欧盟 RoHS 合格证书

## 产品详情

### 常规

状态	活动
类别	Crimp Terminals
系列	43178
说明	Sabre Crimp Terminal, Male, 18 AWG, 3.30mm Max. Insulation Diameter, Reel Packaged, Tin (Sn) Plated Brass Contact
应用	Power, Wire-to-Wire
产品系列	Sabre Power Connector
产品名称	Sabre
UPC	800754378338

### 电气

每触点最大电流	18.0A
电压 - 最大	600V

### 物理

耐用性(插拔次数) - 最多次数	25
性别	男
材料 - 金属	Brass
材料 - 接合部位电镀	Tin
材料 - 终端电镀	Tin
净重	0.565/g
包装形式	Reel
最薄镀层 - 接合部位	0.508µm
最薄镀层 - 端接	0.508µm
终端界面类型	Crimp or Compression
导线绝缘直径	3.30mm max.
线径规格 (AWG)	18
线缆尺寸mm <sup>2</sup>	不适用

## 进程

无铅	不适用
----	-----

---

## 可配插/可连接使用的产品

### 可配插部件

描述	产品编号
Sabre Female Crimp Terminals	<u>43375</u>

### 可连接使用部件

描述	产品编号
Sabre Plug Crimp Housings	<u>43680</u>

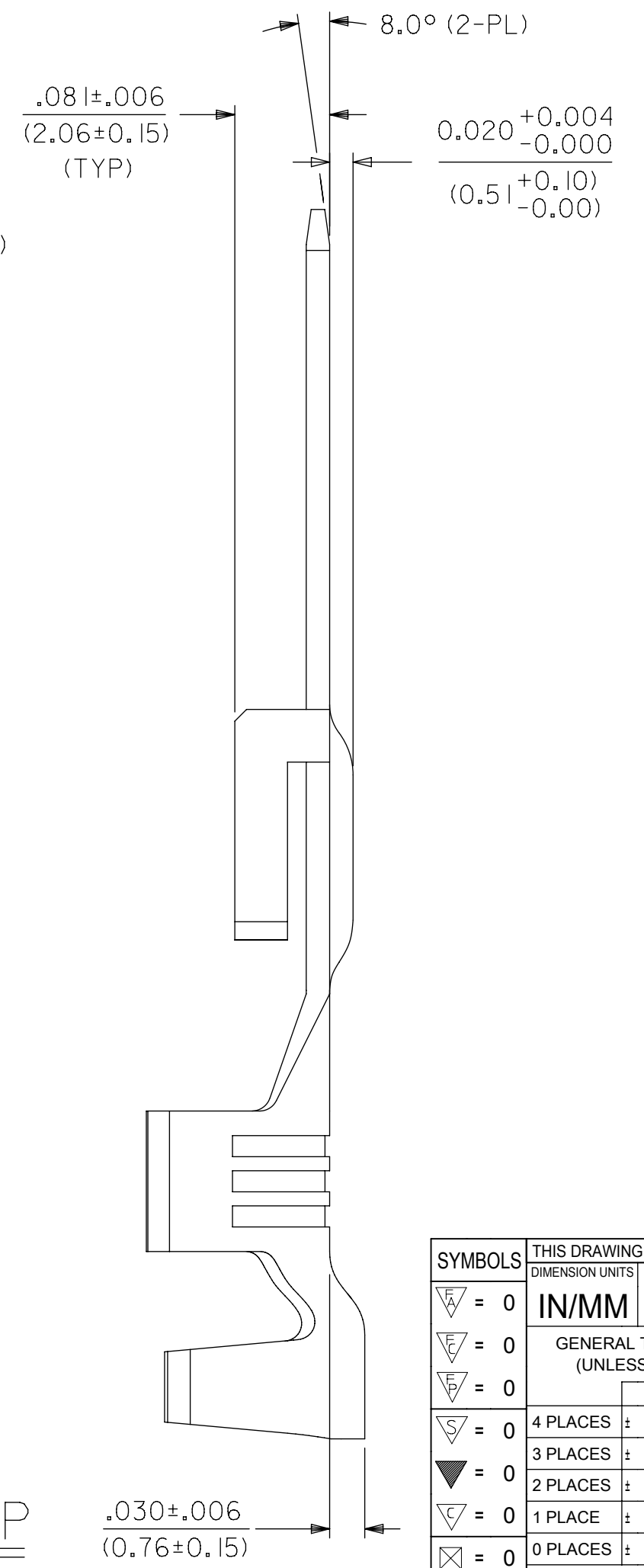
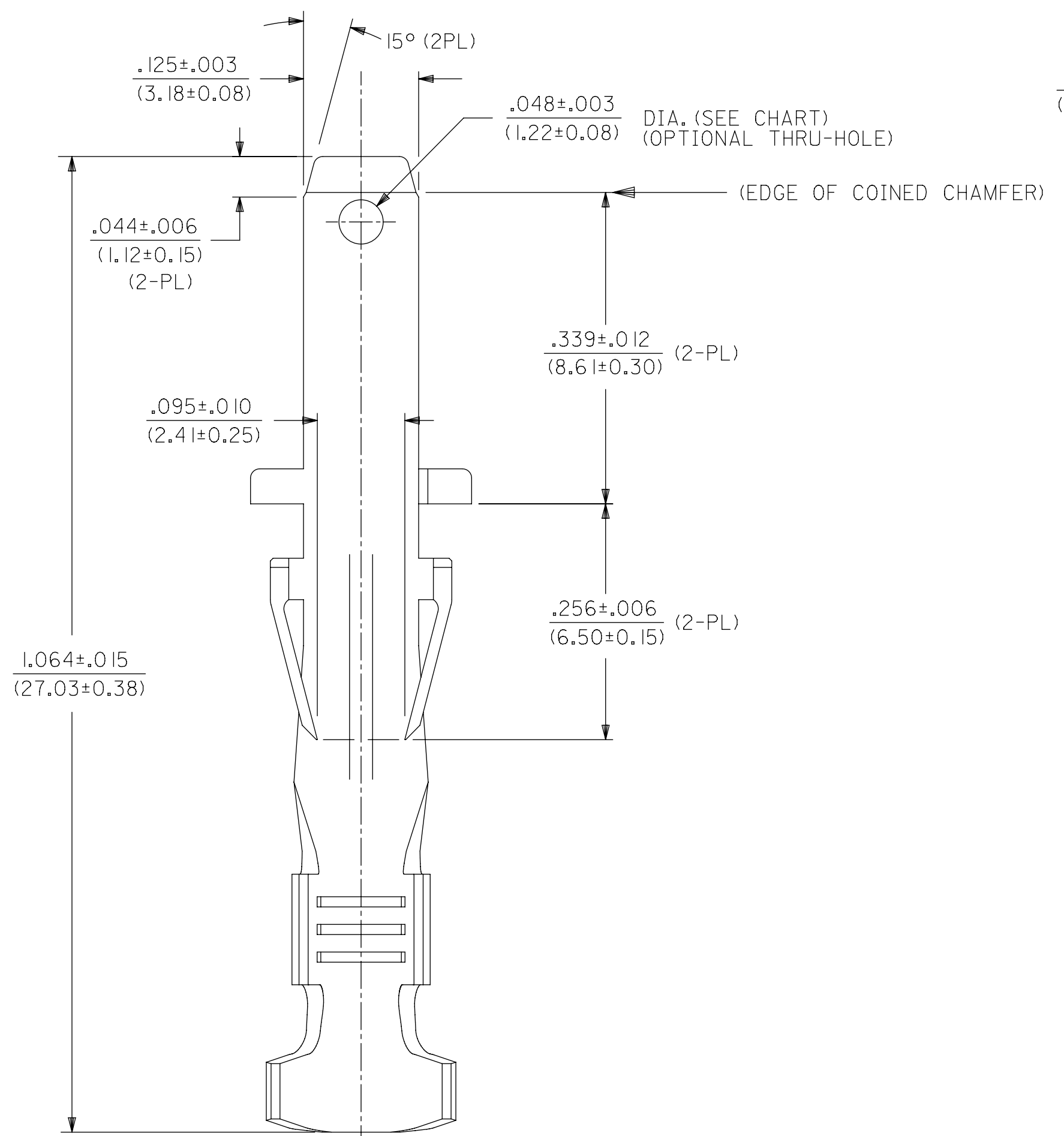
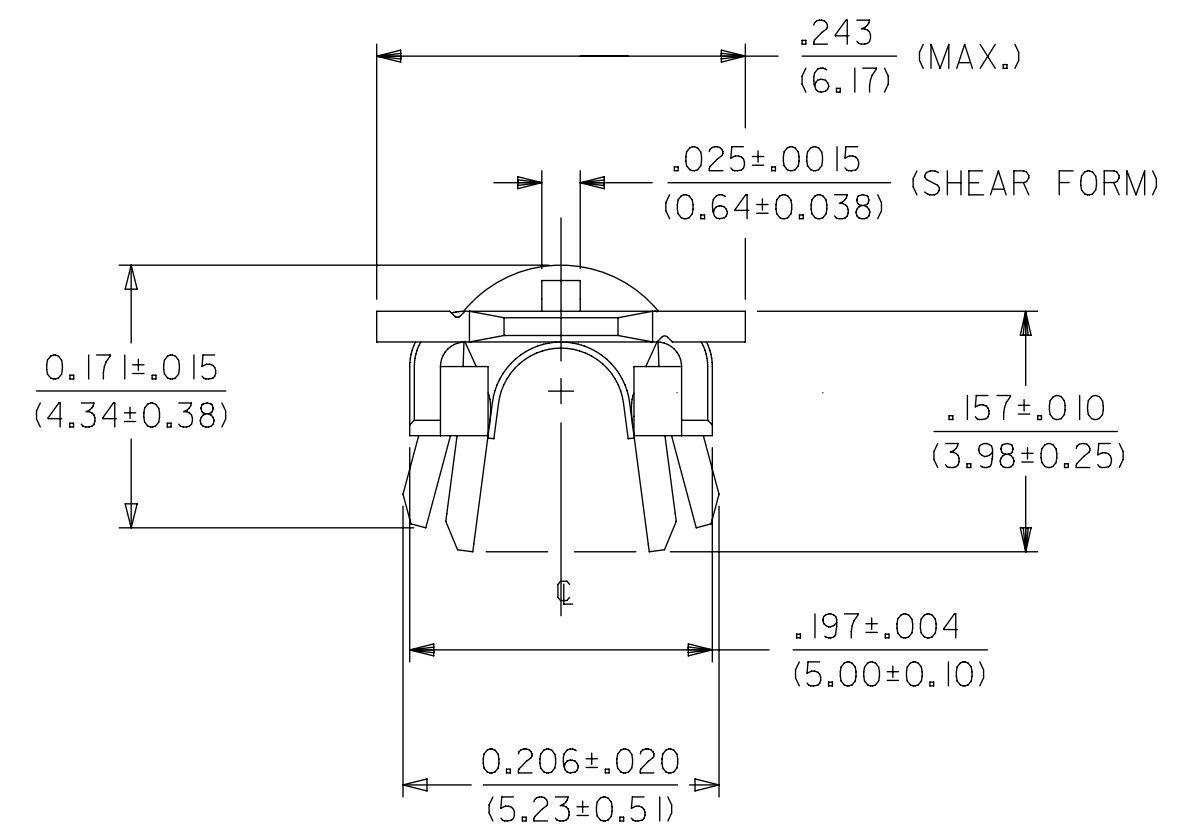
---

## 施工工具

### 全局

描述	产品编号
PremiumGrade Hand Crimp Tool for Sabre Terminals, 14-18 AWG	<u>0638117200</u>
Manual Activation and Deactivation Tool	<u>0638130600</u>
Manual Extraction Tool	<u>0638130800</u>
Terminator Die	<u>0638404000</u>
Mini-Mac Applicator	<u>0638919000</u>

MATERIAL NUMBER	FINISH	HOLE
43178-1001	999	NOT USED
43178-1002	H901	NOT USED



- NOTES:**
- MATERIAL: BRASS
  - FINISH:  
999 - UNPLATED  
H901 - 20 MICROINCH MIN. HOT TIN DIP
  - PRODUCT SPECIFICATION: PS-44441-9999
  - PACKAGING SPECIFICATION: 431780000-PK
  - TERMINAL FOR USE IN 43680 SERIES HOUSINGS
  - TERMINAL FOR USE WITH A SINGLE 18 AWG UL TYPE 1015 WIRE, HAVING A MAXIMUM INSULATION DIAMETER OF .130/(3.30).
  - PARTS CONFORM TO CLASS "B" REQUIREMENTS OF COSMETIC SPECIFICATIONS PS-45499-002

SMALL INSULATION CRIMP

SYMBOLS		THIS DRAWING CONTAINS INFORMATION THAT IS PROPRIETARY TO MOLEX ELECTRONIC TECHNOLOGIES, LLC AND SHOULD NOT BE USED WITHOUT WRITTEN PERMISSION	
DIMENSION UNITS	SCALE	CURRENT REV DESC: ADD NOTES	
IN/MM	8:1		
GENERAL TOLERANCES (UNLESS SPECIFIED)			
4 PLACES ±	MM INCH	EC NO: 617584	
3 PLACES ±	± 0.01	DRWN: JEHRISMAN 2019/04/02	
2 PLACES ±	± 0.25 ± 0.014	CHK'D: MKIPPER 2019/06/13	
1 PLACE ±	± 0.35 ±	APPR: FSMITH 2019/06/18	
0 PLACES ±	±	INITIAL REVISION:	
ANGULAR TOL ± 0.5°		DRWN: KBP 1994/10/24	
		APPR: RAS 1994/10/24	
DRAFT WHERE APPLICABLE MUST REMAIN WITHIN DIMENSIONS		THIRD ANGLE PROJECTION	DRAWING SERIES
		C-SIZE	43178
		MATERIAL NUMBER	CUSTOMER
		SEE TABLE	WHIRLPOOL
		DOC TYPE	DOC PART
		PSD	001
		DOC PART	D2
		SHEET NUMBER	1 OF 1

**molex**

TERMINAL, CRIMP, MALE TAB  
.125/(3.18) X .020/(0.51) SABRE - F.B.S. - T.P.A.

PRODUCT CUSTOMER DRAWING