



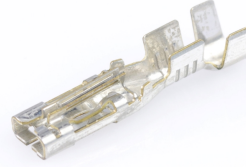
产品编号：[433753001](#)

Product Description：Sabre Single Crimp Terminal, Female, 18-20 AWG, 4.57mm Max. Insulation Diameter, Reel Packaged, Tin (Sn) Plated Brass Contact with TPA

系列号：43375

状态：Active

Product Category：Crimp Terminals



---

## 文件和资源

### 图纸

[图纸 433753001\\_sd.pdf](#)

[包装设计图 433750000-PK-000.pdf](#)

### 规格

[产品规格 PS-44441-9999-001.pdf](#)

[测试摘要 444410000-TS-000.pdf](#)

---

## 产物环境合规

### 合规

GADSL/IMDS	Compliant with Exemption 44
China RoHS	
EU ELV	Not Relevant
Low-Halogen Status	Low-Halogen per IEC 61249-2-21
REACH SVHC	Not Contained per D(2023)3788-DC (14 Jun 2023)
EU RoHS	Compliant per EU 2015/863

### 多部分产品合规性声明

- Eu RoHS
- REACH SVHC
- Low-Halogen

### 多部分行业合规性文件

- IPC 1752A Class C
- IPC 1752A Class D
- Molex Product Compliance Declaration

- IEC-62474

- chemSHERPA (xml)

欧盟 RoHS 合格证书

## 产品详情

### 常规

状态	活动
类别	Crimp Terminals
系列	43375
说明	Sabre Single Crimp Terminal, Female, 18-20 AWG, 4.57mm Max. Insulation Diameter, Reel Packaged, Tin (Sn) Plated Brass Contact with TPA
应用	Power, Wire-to-Board, Wire-to-Wire
个评论	For single crimping of 18-20 AWG wire in a side-by-side orientation. Terminal mates to 3.18mm wide x 0.51mm thick flat blade PC tab.
产品系列	Sabre Power Connector
产品名称	Sabre
UPC	883906725846

### 电气

每触点最大电流	18.0A
电压 - 最大	600V

### 物理

耐用性(插拔次数) - 最多次数	25
性别	女
材料 - 金属	Brass
材料 - 接合部位电镀	Tin
材料 - 终端电镀	Tin
净重	0.345/g
包装形式	Reel
最薄镀层 - 接合部位	0.508µm
最薄镀层 - 端接	0.508µm

终端界面类型	Crimp or Compression
导线绝缘直径	4.57mm max.
线径规格 (AWG)	18, 20
线缆尺寸mm <sup>2</sup>	不适用

---

### 可连接使用部件

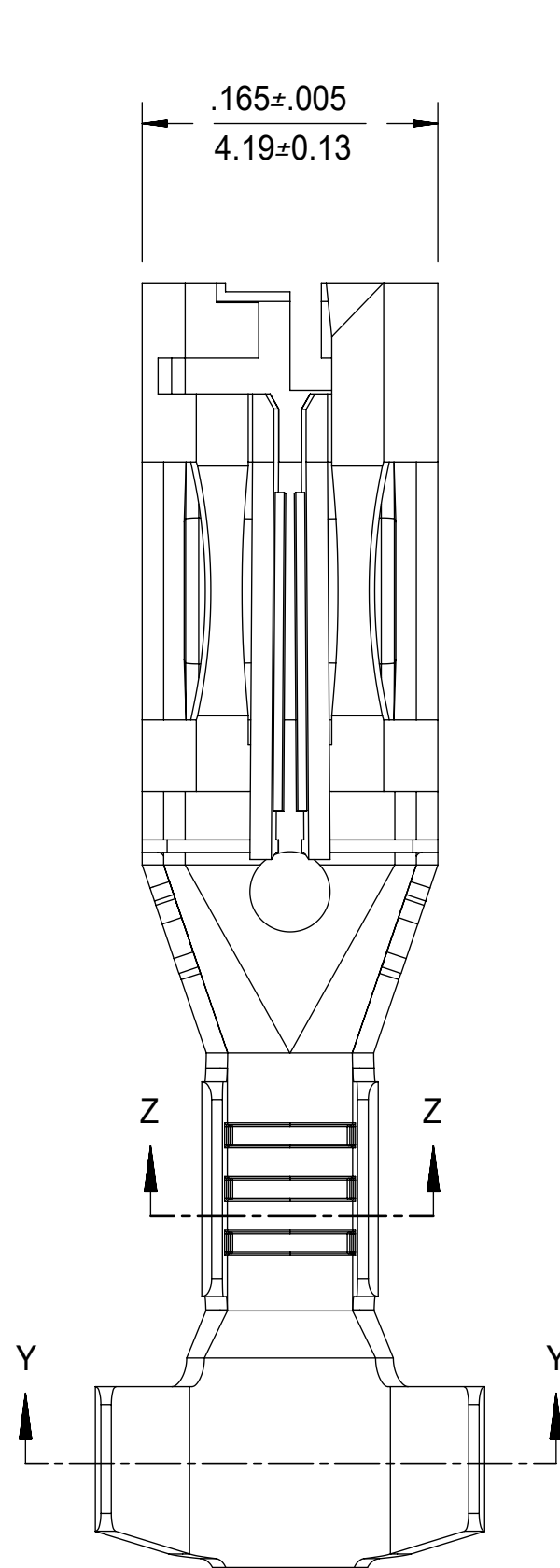
描述	产品编号
Sabre Receptacle Crimp Housings	<u>44441</u>

---

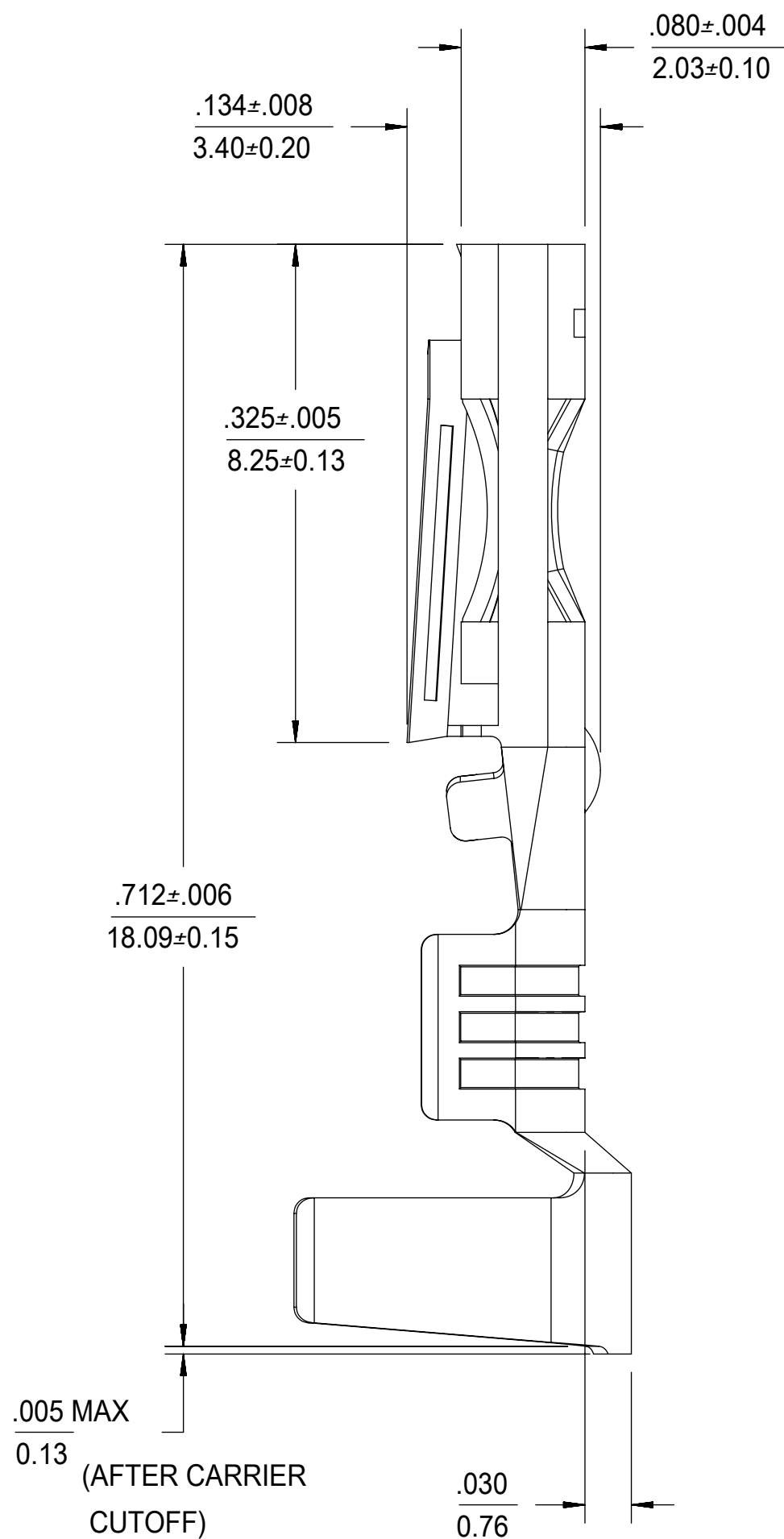
### 施工工具

#### 全局

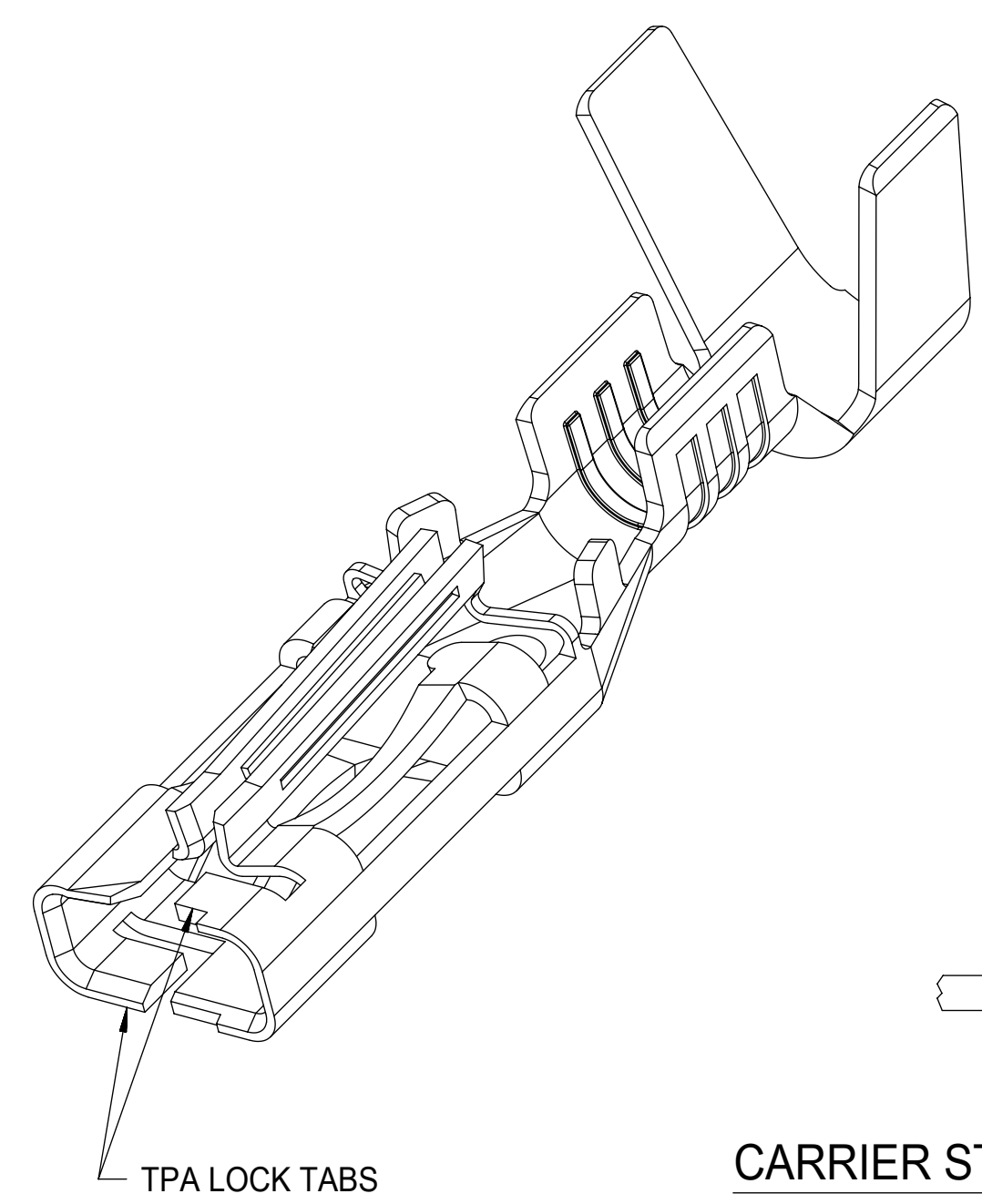
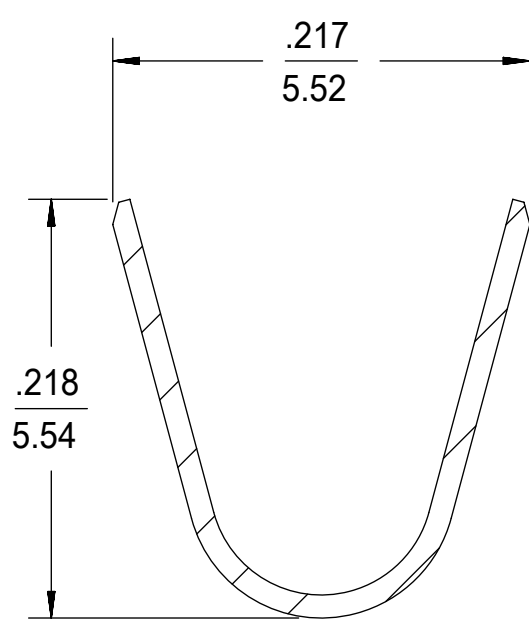
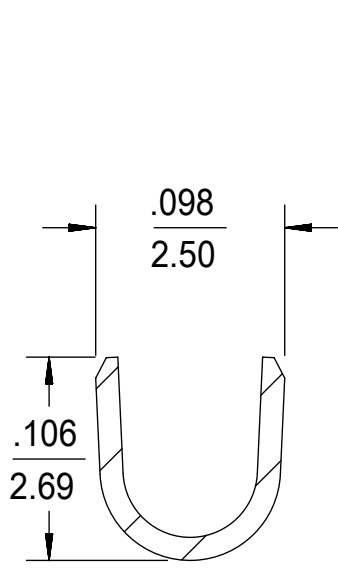
描述	产品编号
Hand Crimp Tool for Female Flat Blade Crimp Terminals	<u>0638232700</u>
Hand Crimp Tool for Female Flat Blade Crimp Terminals	<u>0638232800</u>
FineAdjust Applicator for Flat Blade Crimp Terminal, 18-20 AWG, UL 1015 Wire	<u>0639012700</u>
FineAdjust Applicator for Flat Blade Crimp Terminal, 18-20 AWG, UL1056 and SPT-3 Wire	<u>0639012800</u>
T2 Terminator for Flat Blade Crimp Terminals, 18-20 AWG, UL1015 Wire	<u>0639112700</u>
T2 Terminator for Flat Blade Crimp Terminals, 18-20 AWG, UL1056 and SPT-3 Wire	<u>0639112800</u>



**SECTION Z-Z**  
CONDUCTOR CRIMP



**SECTION Y-Y**  
INSULATION CRIMP



**CARRIER STRIP PROGRESSION**

SCALE 2:1

**NOTES:**

1. MATERIAL: BRASS
2. FINISH: 20 MICRINCH / (0.5 MICROMETER) MIN. HOT TIN DIP OVERALL.
3. PRODUCT SPECIFICATION: PS-44441-9999.
4. PACKAGING: TERMINALS WOUND ON 24" REELS WITH PAPER INTERLEAF PER 433750000-PK.
5. THIS TERMINAL FOR USE WITH 44441 SERIES HOUSINGS AND IS UNTENDED FOR 18-20 AWG STRANDED WIRE, UL STYLE 1015, 1056 OR SPT-3 WIRE, .180/4.57 MAXIMUM INSULATION DIAMETER.
6. TERMINAL MATES TO .125/3.18 WIDE X .020/0.51 THICK FLAT BLADE TERMINALS. MATING CRIMP TERMINAL: 43178 SERIES.
7. TERMINAL HAS TPA (TOTAL POSITIONING ASSURANCE) OPTIONAL ACTIVATION FEATURE THAT WHEN ACTIVATED AND USED WITH MOLEX "SABRE" SERIES RECEPTACLE HOUSINGS, PROVIDES SECONDARY LOCK SYSTEM WHICH ENSURES AGAINST TERMINAL BACKOUTS.
8. PARTS CONFORM TO CLASS 'B' REQUIREMENTS OF PS-45499-002.

THIS DRAWING CONTAINS INFORMATION THAT IS PROPRIETARY TO MOLEX ELECTRONIC TECHNOLOGIES, LLC AND SHOULD NOT BE USED WITHOUT WRITTEN PERMISSION										
SYMBOLS		DIMENSION UNITS		SCALE		CURRENT REV DESC: ADD PK SPEC				
∇ = 0	∇ = 0	IN/MM	10:1							
∇ = 0	∇ = 0	GENERAL TOLERANCES (UNLESS SPECIFIED)								
∇ = 0	∇ = 0		MM	INCH						
S = 0	4 PLACES	±		±	EC NO: 617584					
∇ = 0	3 PLACES	±		± 0.01	DRWN: JEHRISMAN 2019/04/02					
∇ = 0	2 PLACES	±	0.25	± 0.014	CHK'D: MKIPPER 2019/06/13					
∇ = 0	1 PLACE	±	0.35	±	APPR: FSMITH 2019/06/18					
∇ = 0	0 PLACES	±		±	INITIAL REVISION:					
∇ = 0	ANGULAR TOL	±	0.5 °		DRWN: BWIRKUS 20010/02/16					
∇ = 0	DRAFT WHERE APPLICABLE MUST REMAIN WITHIN DIMENSIONS		THIRD ANGLE PROJECTION		DRAWING		SERIES			
					C-SIZE	43375				
DOCUMENT STATUS		P1	RELEASE DATE	2019/06/18	16:00:41					
						MATERIAL NUMBER		CUSTOMER		SHEET NUMBER
						433753001		GENERAL MARKET		1 OF 1



TERMINAL, FEM, 18-20 AWG  
.125/(3.18) WIDE, W/TPA UL 1015, 1056 OR SPT-3

PRODUCT CUSTOMER DRAWING

DOCUMENT NUMBER  
**SD-43375-311**

DOC TYPE | DOC PART | REVISION  
PSD | 001 | A2