



产品编号 : 436400209

Product Description : Micro-Fit 3.0 Plug Housing, Single Row, 2 Circuits, UL 94V-0, Low-Halogen Since Inception, Black

系列号 : 43640

状态 : Active

Product Category : Connector Housings

文件和资源

图纸

图纸 436400209_sd.pdf

3D 模型和设计文件

3D模型 436400209_stp.zip

规格

包装规格 PK-43640-003-001.pdf

产品规格 436500001-PS-JA-000.pdf

产品规格 436500001-PS-KO-000.pdf

产品规格 436500001-PS-SP-000.pdf

产品规格 PS-43650-001.pdf

测试摘要 430450005-TS-000.pdf

测试摘要 TS-43045-001-001.pdf


测试摘要 TS-43045-002-001.pdf

测试摘要 TS-43045-003-001.pdf

测试摘要 TS-46235-001-001.pdf

产物环境合规

合规

| | |
|--------------------|---|
| GADSL/IMDS | Not Relevant |
| China RoHS |  |
| EU ELV | Not Relevant |
| Low-Halogen Status | Low-Halogen per IEC 61249-2-21 |
| REACH SVHC | Not Contained per D(2023)8585-DC (23 Jan 2024) |
| EU RoHS | Compliant per EU 2015/863 |

多部分产品合规性声明

- Eu RoHS

- REACH SVHC

- Low-Halogen
- IPC 1752A Class C
- IPC 1752A Class D
- Molex Product Compliance Declaration
- IEC-62474
- chemSHERPA (xml)

欧盟 RoHS 合格证书

产品详情

常规

| | |
|------|--|
| 状态 | 活动 |
| 类别 | Connector Housings |
| 系列 | 43640 |
| 说明 | Micro-Fit 3.0 Plug Housing, Single Row, 2 Circuits, UL 94V-0, Low-Halogen Since Inception, Black |
| 应用 | Power, Wire-to-Wire |
| 个评论 | Halogen Free/Low Halogen since inception |
| 产品系列 | Micro-Fit Connector System |
| 产品名称 | Micro-Fit 3.0 |
| UPC | 883906110413 |

机构

| | |
|-----|---------|
| CSA | LR19980 |
| UL | E29179 |

物理

| | |
|---------|-------|
| 电路数（最多） | 2 |
| 颜色-树脂 | 黑色 |
| 阻燃性 | 94V-0 |
| 性别 | Plug |
| 符合灼热丝规范 | 否 |
| 插接极性 | 无 |
| 锁定插接部位 | 是 |
| 材料 - 树脂 | Nylon |

| | |
|-----------|-----------------|
| 净重 | 0.342/g |
| 行数 | 1 |
| 包装形式 | Bag |
| 面板安装式 | 否 |
| 间距 - 插配接口 | 3.00mm |
| 有极性的插配件 | 是 |
| 可堆叠的 | 否 |
| 运行温度范围 | -40° to +105° C |

进程

| | |
|----|-----|
| 无铅 | 不适用 |
|----|-----|

可配插/可连接使用的产品

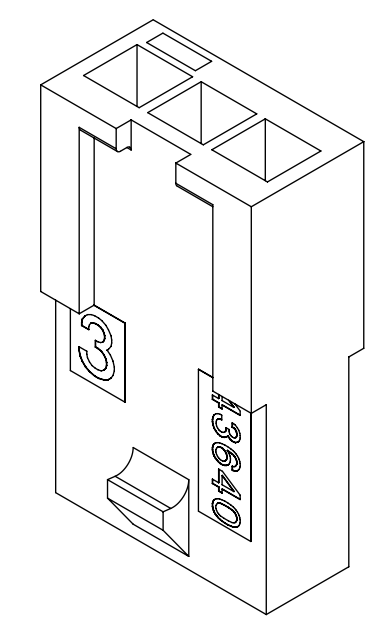
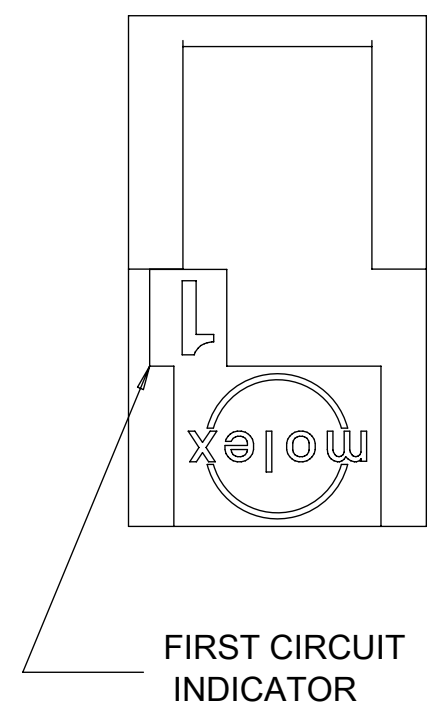
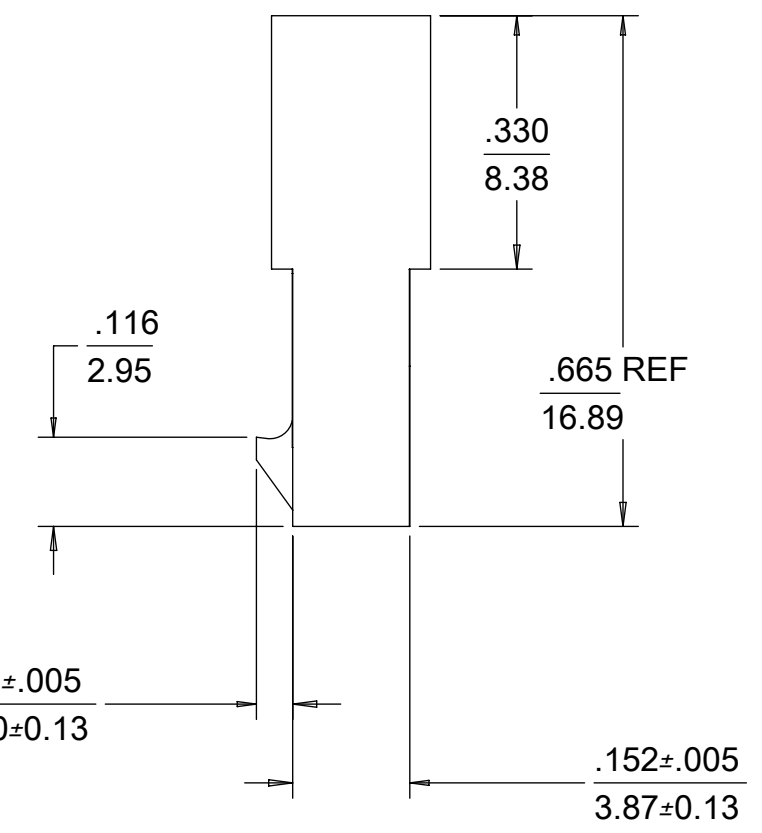
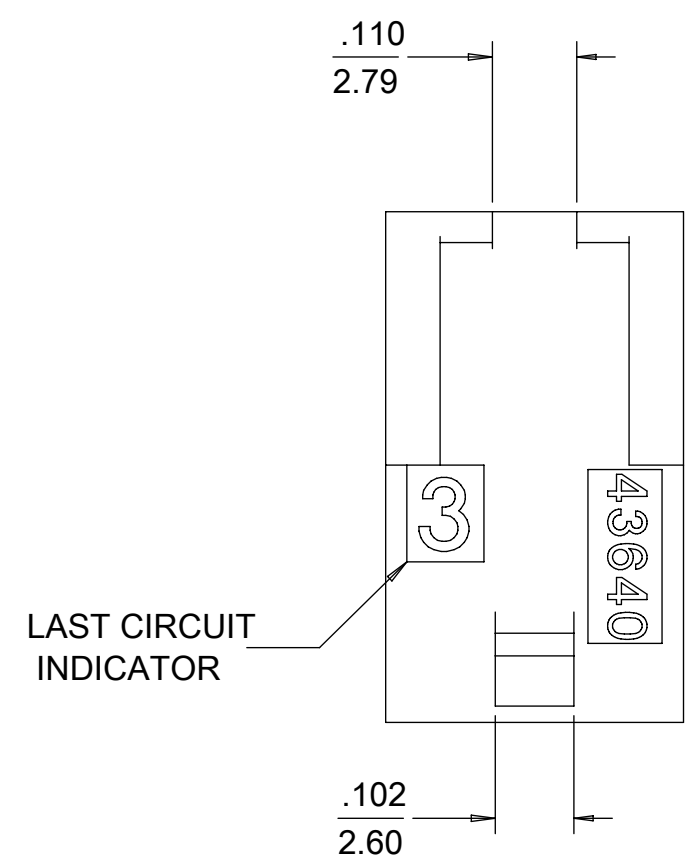
可配插部件

| 描述 | 产品编号 |
|---|---------------|
| Micro-Fit 3.0 Single Row Receptacle Housings | <u>43645</u> |
| Micro-Fit TPA-to-Micro-Fit TPA Off-the-Shelf (OTS) Cable Assemblies | <u>145132</u> |
| Micro-Fit 3.0 Female-to-Micro-Fit 3.0 Female Off-the-Shelf (OTS) Cable Assemblies | <u>214750</u> |
| Micro-Fit 3.0 Female-to-Pigtail Off-the-Shelf (OTS) Cable Assemblies | <u>214751</u> |

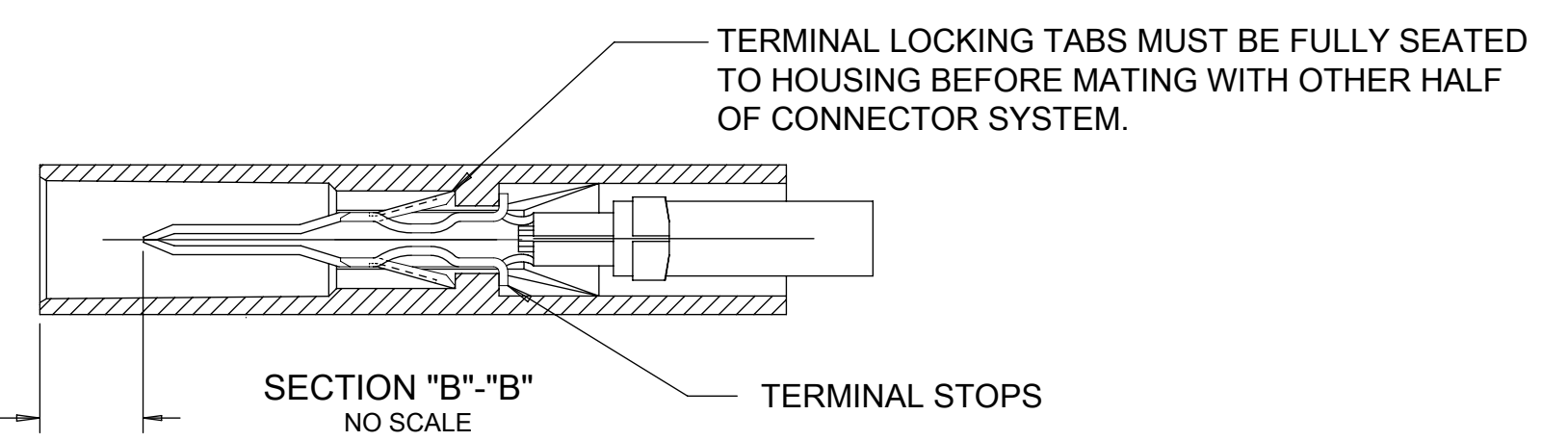
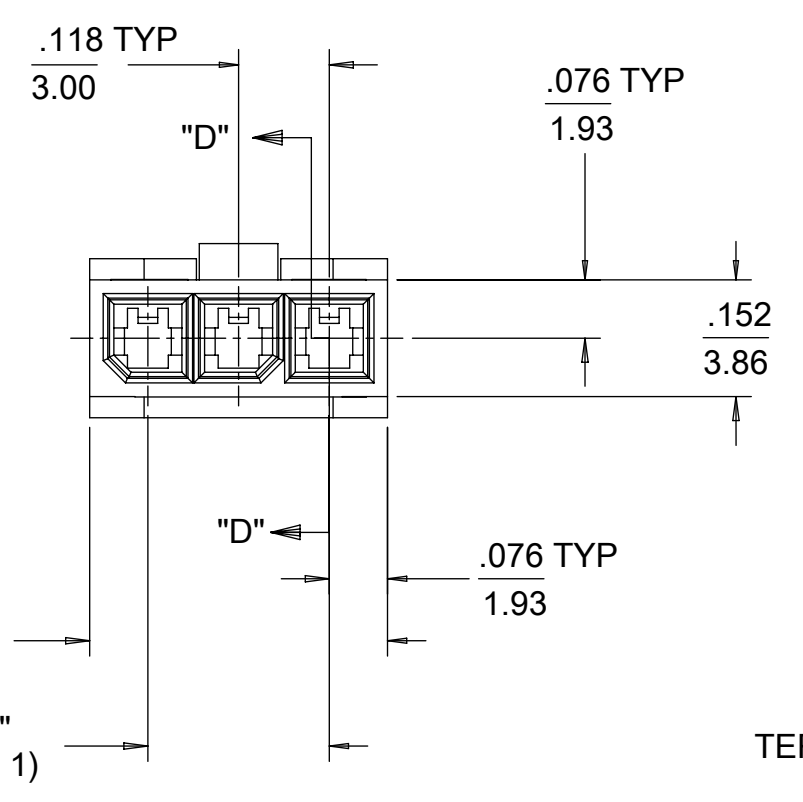
可连接使用部件

| 描述 | 产品编号 |
|---|---------------|
| Micro-Fit Male Crimp Terminals | <u>43031</u> |
| Pre-Crimped Lead Micro-Fit 3.0 Male-to-Micro-Fit 3.0 Male | <u>214762</u> |
| Pre-Crimped Lead Micro-Fit 3.0 Male-to-Pigtail | <u>214763</u> |

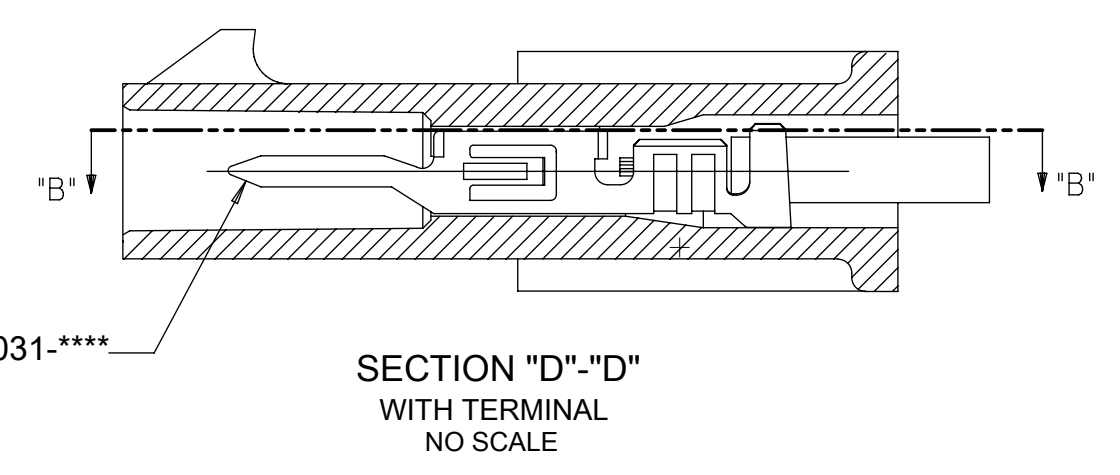
| X- CONTACT FACTORY | ASSEMBLY ITEM NUMBER | PART CHARACTERISTICS |
|--------------------|----------------------|----------------------|
| | | NUMBER OF POSITION |
| | 43640-0209 | 02 |
| | 43640-0309 | 03 |
| | 43640-0409 | 04 |
| X | | 05 |
| | 43640-0609 | 06 |
| | 43640-0709 | 07 |
| X | | 08 |
| X | | 09 |
| X | | 10 |
| X | | 11 |
| X | | 12 |



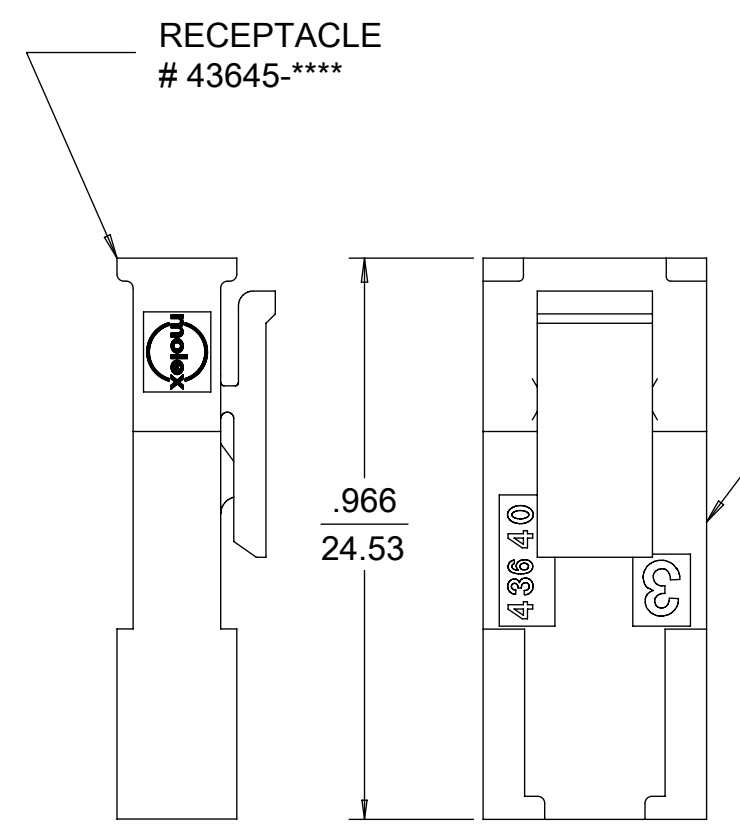
PLUG WITHOUT PANEL MOUNTS



TERMINAL INSERTION DEPTH



SECTION "D"- "D" WITH TERMINAL NO SCALE



MATED MICRO-FIT CONNECTOR

PLUG # 43640-**01

| | | | | | | | | | | | | |
|--|--|---|--|--|--|-----------------|--|-------|--|---|--|--|
| QUALITY SYMBOLS | | THIS DRAWING CONTAINS INFORMATION THAT IS PROPRIETARY TO MOLEX ELECTRONIC TECHNOLOGIES, LLC AND SHOULD NOT BE USED WITHOUT WRITTEN PERMISSION | | | | DIMENSION UNITS | | SCALE | | | | |
| = 0 = 0 = 0 = 0 = 0 = 0 = 0 = 0 = 0 = 0 | | GENERAL TOLERANCES (UNLESS SPECIFIED) 4 PLACES ± ± 3 PLACES ± ± 0.01 2 PLACES ± 0.25 ± 0.014 1 PLACES ± 0.35 ± 0 PLACES ± ± ANGULAR TOL = 5.0 DRAFT WHERE APPLICABLE MUST REMAIN WITHIN DIMENSIONS | | | | IN/MM | | 4:1 | | | | |
| UPDATE NOTE 1 EC NO: 111284 DRWN: JQUILES CHKD: SSOUSEK REV APPR: FSMITH | | 2016/10/05 2016/12/22 2017/01/06 | | | | DRWN BY | | DATE | | SERIES: 43640 MATERIAL NUMBER: SEE CHART CUSTOMER: GENERAL MARKET | | |
| A5 | | MKIPPER 2008/01/21 SSOUSEK 2008/01/30 FSMITH 2015/05/08 | | | | CHK'D BY | | DATE | | | | |
| | | DRAWING SIZE: C THIRD ANGLE PROJECTION | | | | APPR BY | | DATE | | | | |