

产品编号 : [436450508](#)

Product Description : Micro-Fit 3.0
Receptacle Housing, Single Row, 5
Circuits, UL 94V-0, Low-Halogen Since
Inception, Black

系列号 : 43645

状态 : Active

Product Category : Connector Housings



文件和资源

图纸

[图纸 436450508_sd.pdf](#)

3D 模型和设计文件

[3D模型 436450508_stp.zip](#)

规格

[应用规格 430250000-AS-000.pdf](#)

[包装规格 PK-43645-001-001.pdf](#)

[产品规格 436500001-PS-JA-000.pdf](#)

[产品规格 436500001-PS-K0-000.pdf](#)

[产品规格 436500001-PS-SP-000.pdf](#)

[产品规格 PS-43650-001.pdf](#)

[测试摘要 430450005-TS-000.pdf](#)

[测试摘要 TS-43045-001-001.pdf](#)


[测试摘要 TS-43045-002-001.pdf](#)

[测试摘要 TS-43045-003-001.pdf](#)

[测试摘要 TS-46235-001-001.pdf](#)

产物环境合规

合规

GADSL/IMDS	Not Relevant
China RoHS	
EU ELV	Compliant per 2000/53/EC
Low-Halogen Status	Low-Halogen per IEC 61249-2-21
REACH SVHC	Not Contained per D(2023)3788-DC (14 Jun 2023)
EU RoHS	Compliant per EU 2015/863

多部分产品合规性声明

- Eu RoHS
- REACH SVHC
- Low-Halogen

多部分行业合规性文件

- IPC 1752A Class C
- IPC 1752A Class D
- Molex Product Compliance Declaration
- IEC-62474
- chemSHERPA (xml)

欧盟 RoHS 合格证书

产品详情

常规

状态	活动
类别	Connector Housings
系列	43645
说明	Micro-Fit 3.0 Receptacle Housing, Single Row, 5 Circuits, UL 94V-0, Low-Halogen Since Inception, Black
应用	Power, Wire-to-Board, Wire-to-Wire
个评论	Halogen Free/Low Halogen since inception
产品系列	Micro-Fit Connector System
产品名称	Micro-Fit 3.0
UPC	883906281243

机构

CSA	LR19980
UL	E29179

物理

电路数 (最多)	5
颜色-树脂	黑色
阻燃性	94V-0
性别	Receptacle

符合灼热丝规范	否
插接极性	无
锁定插接部位	是
材料 - 树脂	Nylon
净重	0.540/g
行数	1
包装形式	Bag
面板安装式	否
间距 - 插配接口	3.00mm
有极性的插配件	是
可堆叠的	否
运行温度范围	-40° to +105° C

进程

无铅	不适用
----	-----

可配插/可连接使用的产品

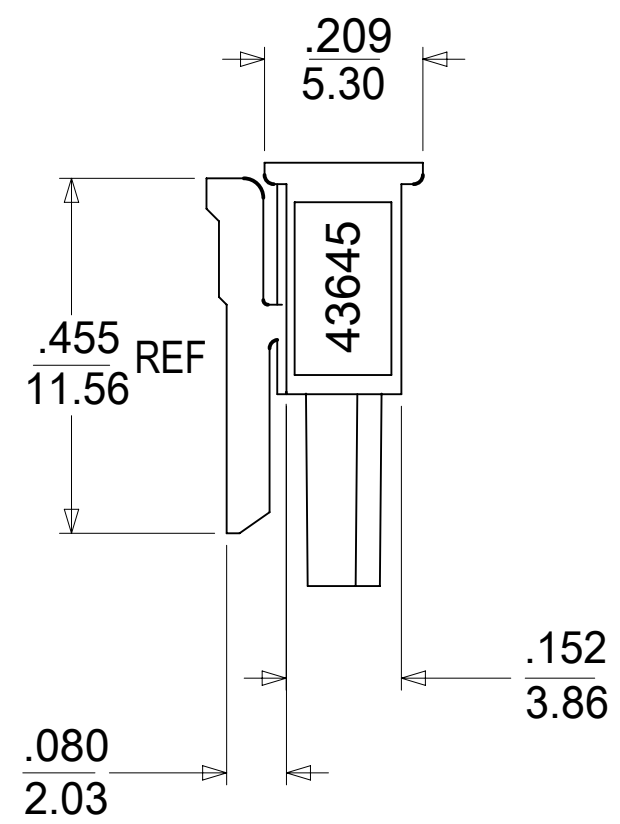
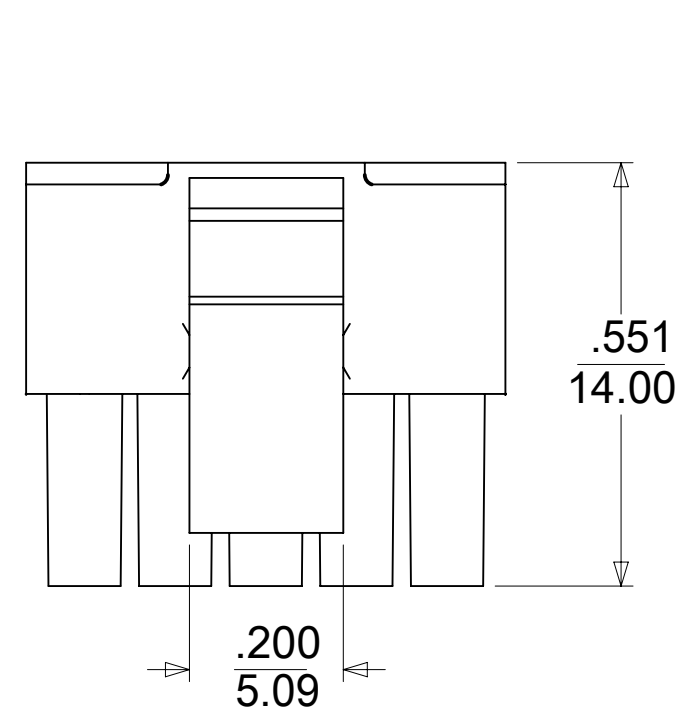
可配插部件

描述	产品编号
Micro-Fit 3.0 Single Row Plug Housings	<u>43640</u>
Micro-Fit TPA Single Row Plug Housings	<u>200875</u>
Micro-Fit 3.0 Single Row Headers	<u>43650</u>
Micro-Fit 3.0 Male-to-Micro-Fit 3.0 Male Off-the-Shelf (OTS) Cable Assemblies	<u>214752</u>
Micro-Fit 3.0 Male-to-Pigtail Off-the-Shelf (OTS) Cable Assemblies	<u>214753</u>

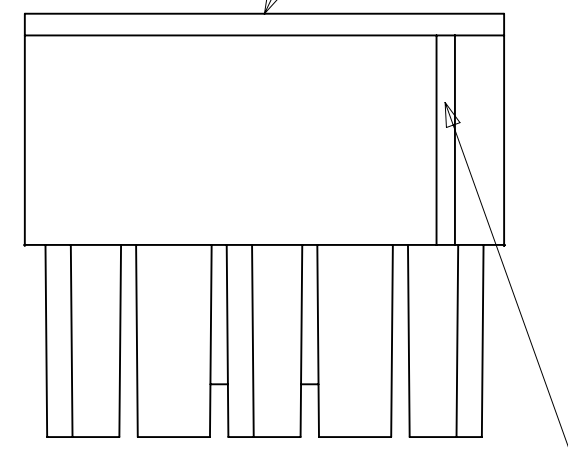
可连接使用部件

描述	产品编号
Pre-Crimped Lead Micro-Fit 3.0 Female-to-Micro-Fit 3.0 Female, Tin (Sn) Plating, 150.00mm Length, 20 AWG, Black	<u>/content/molex/molex-dot-com/cn/zh/products/product-page.html/797580002.html</u>

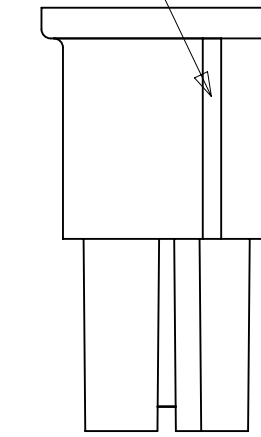
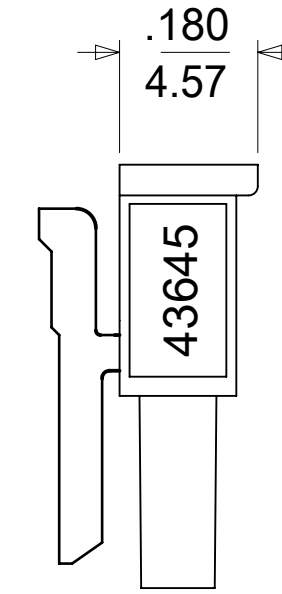
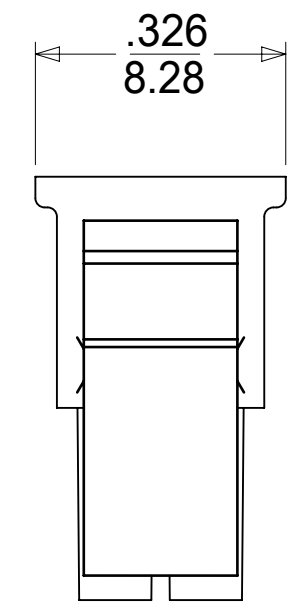
Pre-Crimped Lead Micro-Fit 3.0 Female-to-Micro-Fit 3.0 Female, Gold (Au) Plating, 150.00mm Length, 20 AWG, Black	/content/molex/molex-dot-com/cn/zh/products/product-page.html/797580004.html
Pre-Crimped Lead Micro-Fit 3.0 Female-to-Micro-Fit 3.0 Female, Tin (Sn) Plating, 300.00mm Length, 20 AWG, Black	/content/molex/molex-dot-com/cn/zh/products/product-page.html/797580010.html
Pre-Crimped Lead Micro-Fit 3.0 Female-to-Micro-Fit 3.0 Female, Gold (Au) Plating, 300.00mm Length, 20 AWG, Black	/content/molex/molex-dot-com/cn/zh/products/product-page.html/797580012.html
Micro-Fit 3.0 Female Crimp Terminals	43030
Micro-Fit Reduced Mating Force Female Crimp Terminals	46235
Pre-Crimped Lead Micro-Fit 3.0 Female-to-Micro-Fit 3.0 Female	214760
Pre-Crimped Lead Micro-Fit 3.0 Female-to-Pigtail	214761



SEE NOTE 10

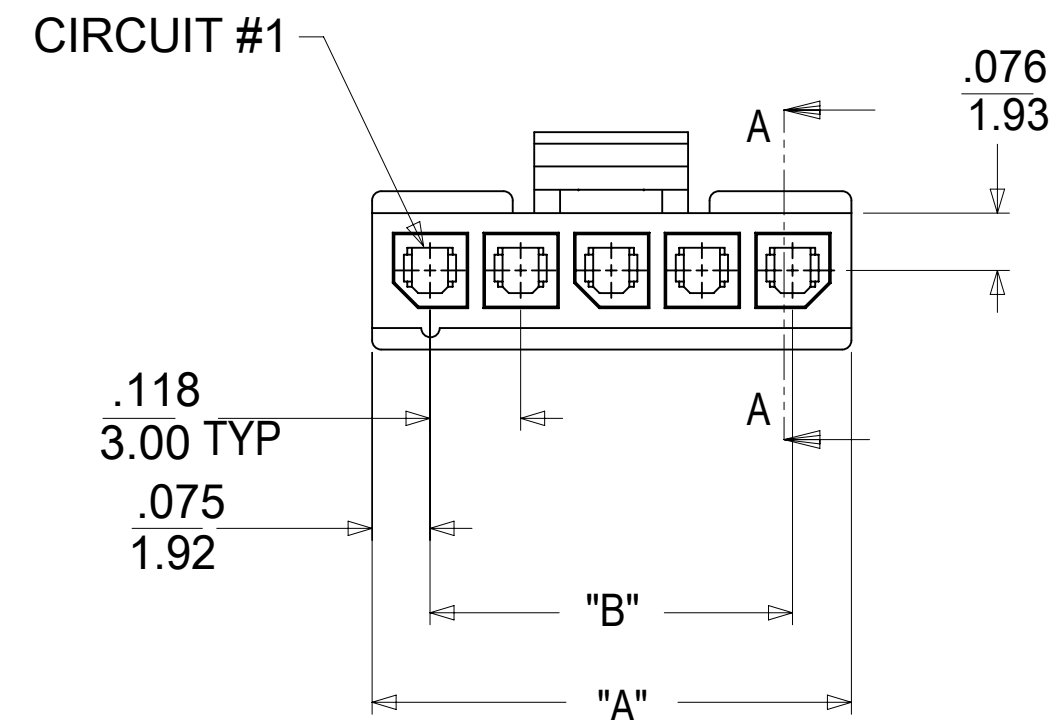


CIRCUIT #1 IDENTIFIER

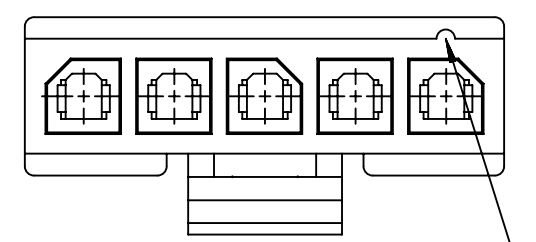
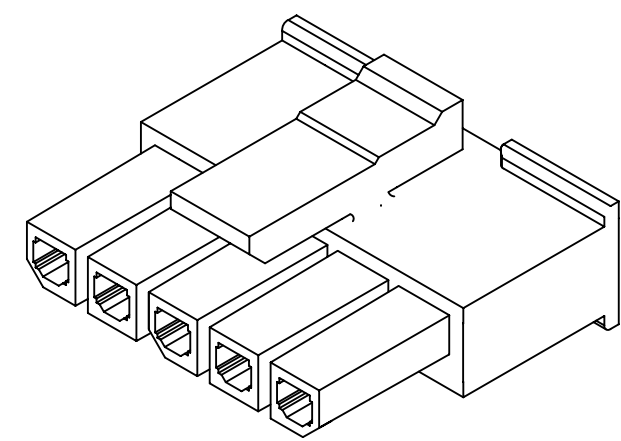


CIRCUIT #1 IDENTIFIER

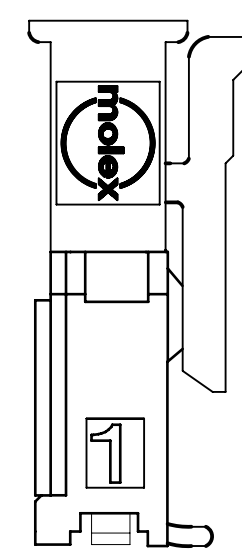
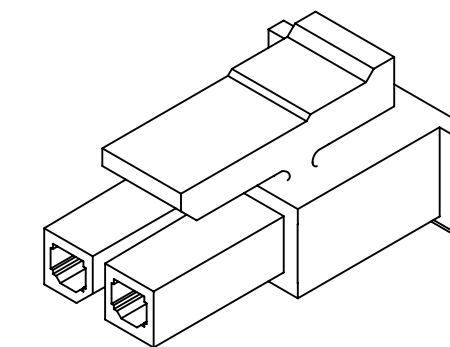
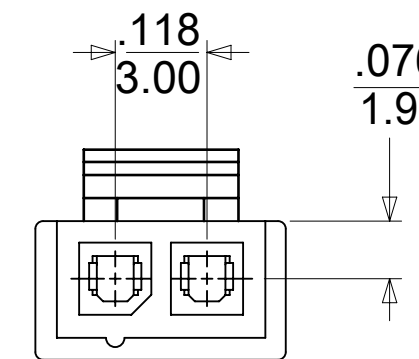
(2 CIRCUIT HOUSING)



(3-12 CIRCUIT HOUSING)

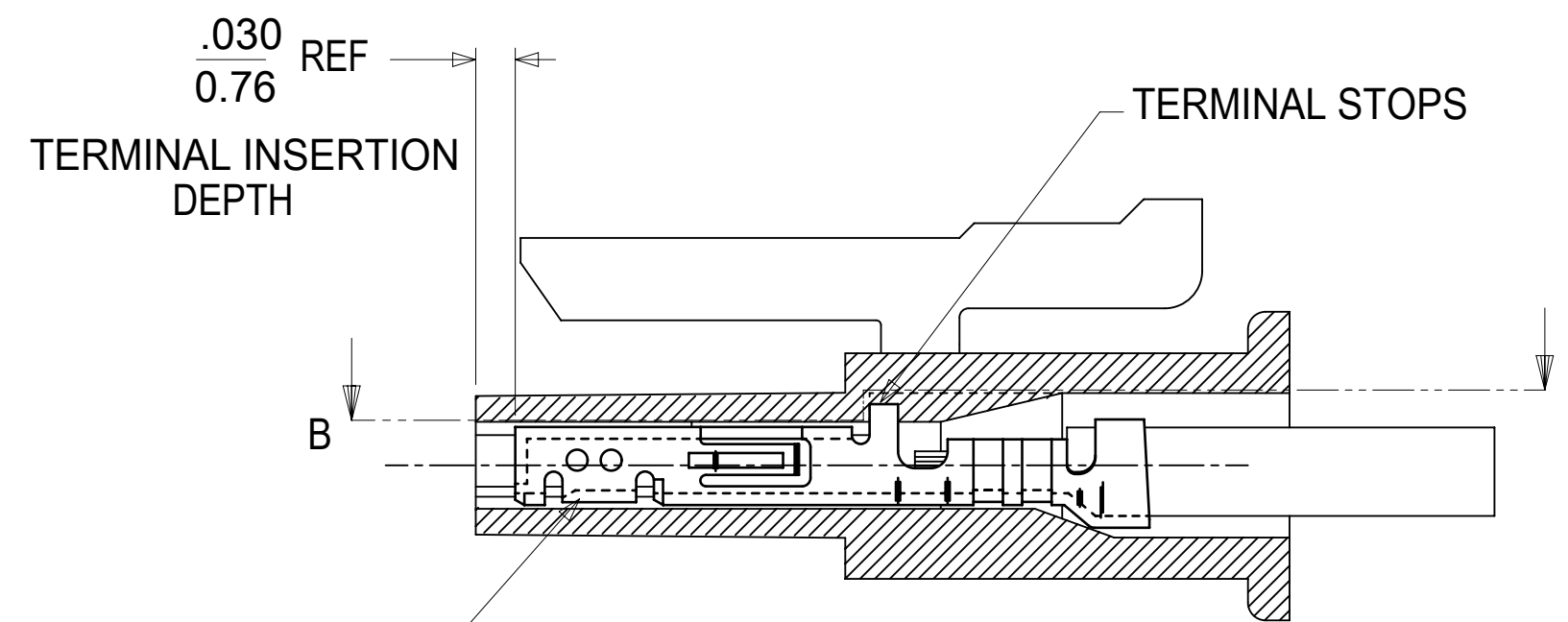
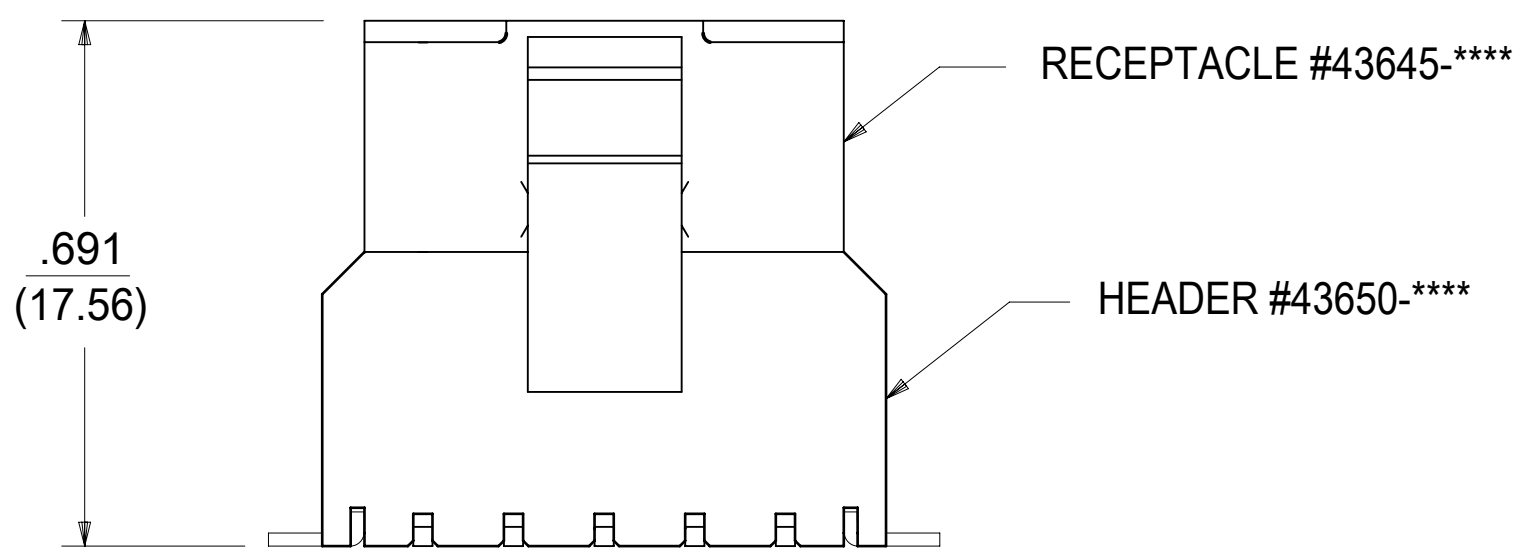


FIRST CIRCUIT IDENTIFIER RIB (ALL CIRCUIT SIZES)



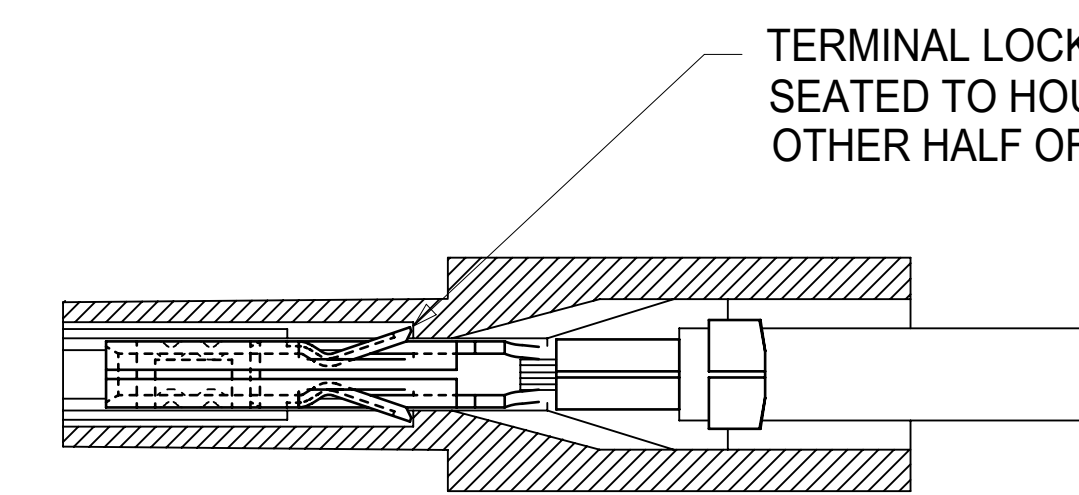
.691 (17.56)

MATED MICRO-FIT CONNECTOR



SECTION "A"- "A"

SHOWN WITH TERMINAL INSTALLED

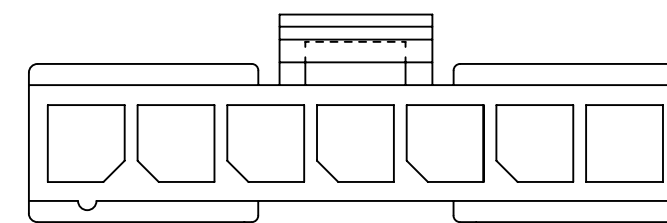


SECTION "B"- "B"

NOT RELEASED	ITEM NUMBER	NUMBER OF CIRCUIT	DIM. "A"	DIM. "B"
	43645-0208	02	SEE DETAIL	.118/(3.00)
	43645-0308	03	.388/(9.85)	.236/(6.00)
	43645-0408	04	.506/(12.85)	.354/(9.00)
	43645-0508	05	.624/(15.85)	.472/(12.00)
	43645-0608	06	.742/(18.85)	.591/(15.00)
X		07	.860/(21.85)	.709/(18.00)
X		08	.978/(24.85)	.827/(21.00)
X		09	1.096/(27.85)	.945/(24.00)
X		10	1.215/(30.85)	1.063/(27.00)
X		11	1.333/(33.85)	1.181/(30.00)
	43645-1208	12	1.451/(36.85)	1.299/(33.00)

NOTES:

1. MATERIAL: UNFILLED NYLON, UL94V-0, COLOR - BLACK (LOW HALOGEN)
2. FINISH : N/A
3. PRODUCT SPECIFICATION : PS-43650
4. PACKAGING SPECIFICATION: PK-43645-001
5. THIS RECEPTACLE ACCEPTS MOLEX MICRO FIT FEMALE CRIMP TERMINALS SERIES 43030 OR 46235. SEE SECTION "A"- "A" FOR TERMINAL ORIENTATION IN HOUSING.
6. FOR OVERMOLDING PARAMETERS SEE APPLICATION SPECIFICATION 430250000-AS.
7. THIS RECEPTACLE MATES WITH MOLEX PCB HEADER 43650 SERIES AND MOLEX PLUG 43640 SERIES (WIRE TO WIRE APPLICATIONS).
8. SOME HOUSINGS MAY HAVE A SMALL GATE BLEMISH NEAR THE GATE LOCATION THAT DOES NOT AFFECT FUNCTIONALITY.
9. MOLEX RECOMMENDS THE USE OF MICRO-FIT TEST PLUG, SERIES 44242-**** WHENEVER CONTINUITY TESTING IS PERFORMED. TEST PLUGS MUST NOT BE USED TO MAKE OR BREAK UNDER LOAD. MOLEX DOES NOT RECOMMEND USING STANDARD MATING COMPONENTS FOR HARNESS TESTING PURPOSES.
10. THIS RIB IS DISCONTINUOUS ON CIRCUIT SIZES 7 THROUGH 12
11. THIS PART CONFORMS TO CLASS 'B' REQUIREMENTS OF COSMETIC SPECIFICATION PS-45499-002.
12. TEXT ON PART IS FOR REFERENCE ONLY. TEXT AND TEXT LOCATION MAY VARY DEPENDING ON PART NUMBER AND/OR TOOL.



SEE NOTE 10

FUNCTIONAL SYMBOLS $F_A = 0$ $F_C = 0$ $F_P = 0$ DIVISIONAL SYMBOLS	THIS DRAWING CONTAINS INFORMATION THAT IS PROPRIETARY TO MOLEX ELECTRONIC TECHNOLOGIES, LLC AND SHOULD NOT BE USED WITHOUT WRITTEN PERMISSION		CURRENT REV DESC: 43645-1208 TOOLED																			
	DIMENSION UNITS	SCALE																				
	INCH/MM	NTS																				
	GENERAL TOLERANCES (UNLESS SPECIFIED)		EC NO: 717370 DRWN: MKIPPER CHK'D: RICARC13 APPR: FSMITH INITIAL REVISION: DRWN: MKIPPER APPR: FSMITH																			
<table border="1"> <thead> <tr> <th></th> <th>MM</th> <th>INCH</th> </tr> </thead> <tbody> <tr> <td>4 PLACES</td> <td>±</td> <td>±</td> </tr> <tr> <td>3 PLACES</td> <td>± 0.25</td> <td>± 0.01</td> </tr> <tr> <td>2 PLACES</td> <td>± 0.25</td> <td>± 0.014</td> </tr> <tr> <td>1 PLACE</td> <td>± 0.35</td> <td>±</td> </tr> <tr> <td>0 PLACES</td> <td>±</td> <td>±</td> </tr> </tbody> </table>			MM	INCH	4 PLACES	±	±	3 PLACES	± 0.25	± 0.01	2 PLACES	± 0.25	± 0.014	1 PLACE	± 0.35	±	0 PLACES	±	±	2022/07/11 2022/12/19 2022/12/19 2008/01/21 2016/08/12		
	MM	INCH																				
4 PLACES	±	±																				
3 PLACES	± 0.25	± 0.01																				
2 PLACES	± 0.25	± 0.014																				
1 PLACE	± 0.35	±																				
0 PLACES	±	±																				
DRAFT WHERE APPLICABLE MUST REMAIN WITHIN DIMENSIONS		THIRD ANGLE PROJECTION 	DRAWING D-SIZE	SERIES 43645	MATERIAL NUMBER SEE CHART	CUSTOMER GENERAL MARKET	SHEET NUMBER 1 OF 1															