



产品编号 : [436450408](#)

Product Description : Micro-Fit 3.0 Receptacle Housing, Single Row, 4 Circuits, UL 94V-0, Low-Halogen Since Inception, Black

系列号 : 43645

状态 : Active

Product Category : Connector Housings



文件和资源

图纸

[图纸 436450408_sd.pdf](#)

3D 模型和设计文件

[3D模型 436450408_stp.zip](#)

规格

[应用规格 430250000-AS-000.pdf](#)

[包装规格 PK-43645-001-001.pdf](#)

[产品规格 436500001-PS-JA-000.pdf](#)

[产品规格 436500001-PS-K0-000.pdf](#)

[产品规格 436500001-PS-SP-000.pdf](#)

[产品规格 PS-43650-001.pdf](#)

[测试摘要 430450005-TS-000.pdf](#)

[测试摘要 TS-43045-001-001.pdf](#)

[测试摘要 TS-43045-002-001.pdf](#)

[测试摘要 TS-43045-003-001.pdf](#)

[测试摘要 TS-46235-001-001.pdf](#)

产物环境合规

合规

GADSL/IMDS	Not Relevant
China RoHS	
EU ELV	Not Relevant
Low-Halogen Status	Low-Halogen per IEC 61249-2-21
REACH SVHC	Not Contained per D(2023)8585-DC (23 Jan 2024)
EU RoHS	Compliant per EU 2015/863

多部分产品合规性声明

- Eu RoHS
- REACH SVHC
- Low-Halogen

多部分行业合规性文件

- IPC 1752A Class C
- IPC 1752A Class D
- Molex Product Compliance Declaration
- IEC-62474
- chemSHERPA (xml)

欧盟 RoHS 合格证书

产品详情

常规

状态	活动
类别	Connector Housings
系列	43645
说明	Micro-Fit 3.0 Receptacle Housing, Single Row, 4 Circuits, UL 94V-0, Low-Halogen Since Inception, Black
应用	Power, Wire-to-Board, Wire-to-Wire
个评论	Halogen Free/Low Halogen since inception
产品系列	Micro-Fit Connector System
产品名称	Micro-Fit 3.0
UPC	883906111618

机构

CSA	LR19980
UL	E29179

物理

电路数 (最多)	4
颜色-树脂	黑色
阻燃性	94V-0
性别	Receptacle

符合灼热丝规范	否
插接极性	无
锁定插接部位	是
材料 - 树脂	Nylon
净重	0.391/g
行数	1
包装形式	Bag
面板安装式	否
间距 - 插配接口	3.00mm
有极性的插配件	是
可堆叠的	否
运行温度范围	-40° to +105° C

进程

无铅	不适用
----	-----

可配插/可连接使用的产品

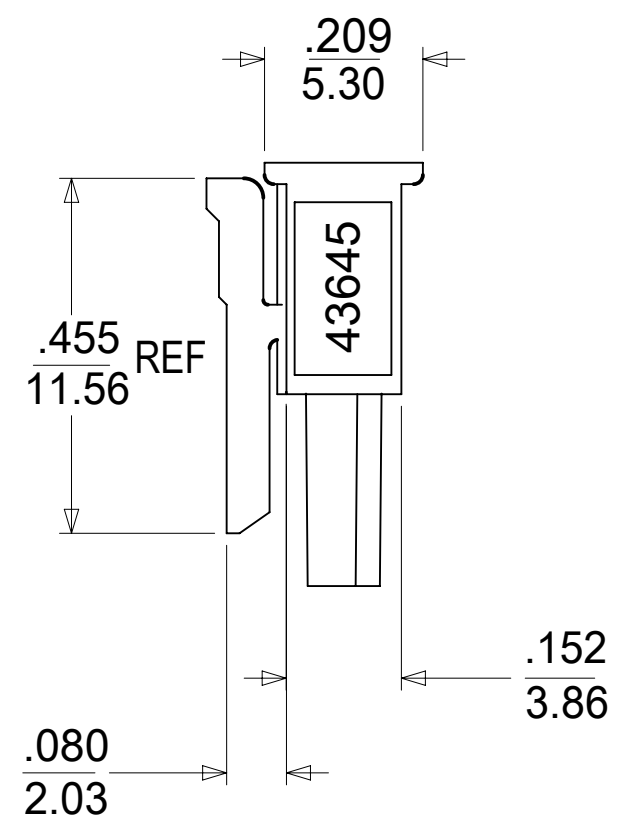
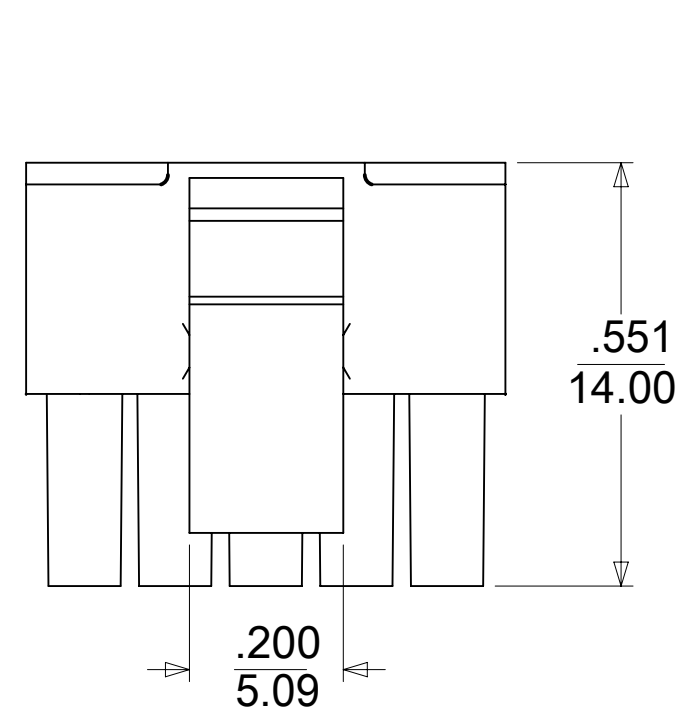
可配插部件

描述	产品编号
Micro-Fit 3.0 Single Row Plug Housings	<u>43640</u>
Micro-Fit TPA Single Row Plug Housings	<u>200875</u>
Micro-Fit 3.0 Single Row Headers	<u>43650</u>
Micro-Fit 3.0 Male-to-Micro-Fit 3.0 Male Off-the-Shelf (OTS) Cable Assemblies	<u>214752</u>
Micro-Fit 3.0 Male-to-Pigtail Off-the-Shelf (OTS) Cable Assemblies	<u>214753</u>

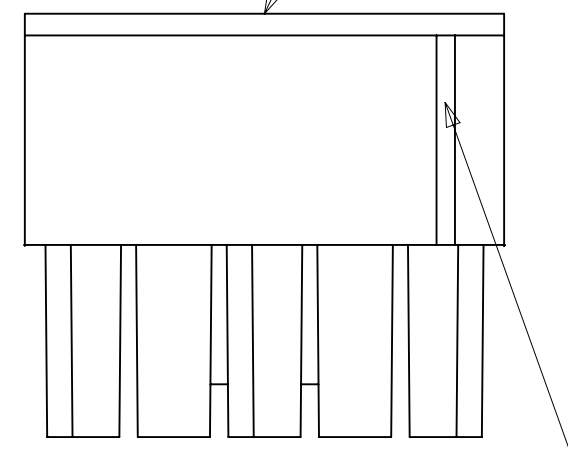
可连接使用部件

描述	产品编号
Pre-Crimped Lead Micro-Fit 3.0 Female-to-Micro-Fit 3.0 Female, Tin (Sn) Plating, 150.00mm Length, 20 AWG, Black	<u>/content/molex/molex-dot-com/cn/zh/products/product-page.html/797580002.html</u>

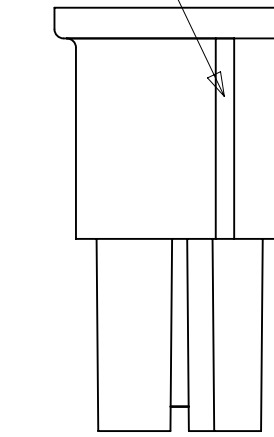
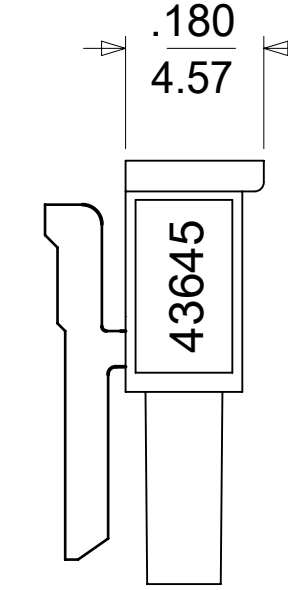
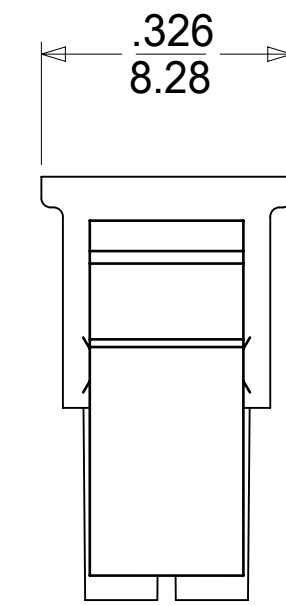
Pre-Crimped Lead Micro-Fit 3.0 Female-to-Micro-Fit 3.0 Female, Gold (Au) Plating, 150.00mm Length, 20 AWG, Black	/content/molex/molex-dot-com/cn/zh/products/product-page.html/797580004.html
Pre-Crimped Lead Micro-Fit 3.0 Female-to-Micro-Fit 3.0 Female, Tin (Sn) Plating, 300.00mm Length, 20 AWG, Black	/content/molex/molex-dot-com/cn/zh/products/product-page.html/797580010.html
Pre-Crimped Lead Micro-Fit 3.0 Female-to-Micro-Fit 3.0 Female, Gold (Au) Plating, 300.00mm Length, 20 AWG, Black	/content/molex/molex-dot-com/cn/zh/products/product-page.html/797580012.html
Micro-Fit 3.0 Female Crimp Terminals	43030
Micro-Fit Reduced Mating Force Female Crimp Terminals	46235
Pre-Crimped Lead Micro-Fit 3.0 Female-to-Micro-Fit 3.0 Female	214760
Pre-Crimped Lead Micro-Fit 3.0 Female-to-Pigtail	214761



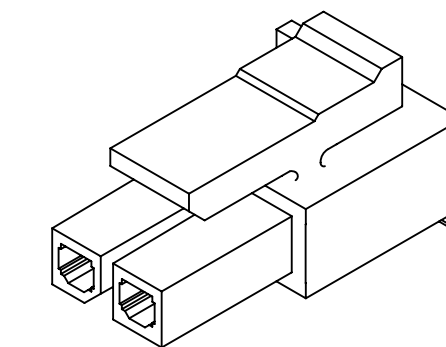
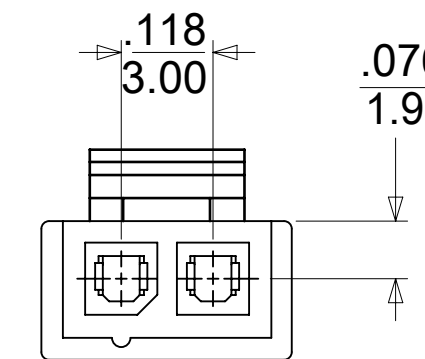
SEE NOTE 10



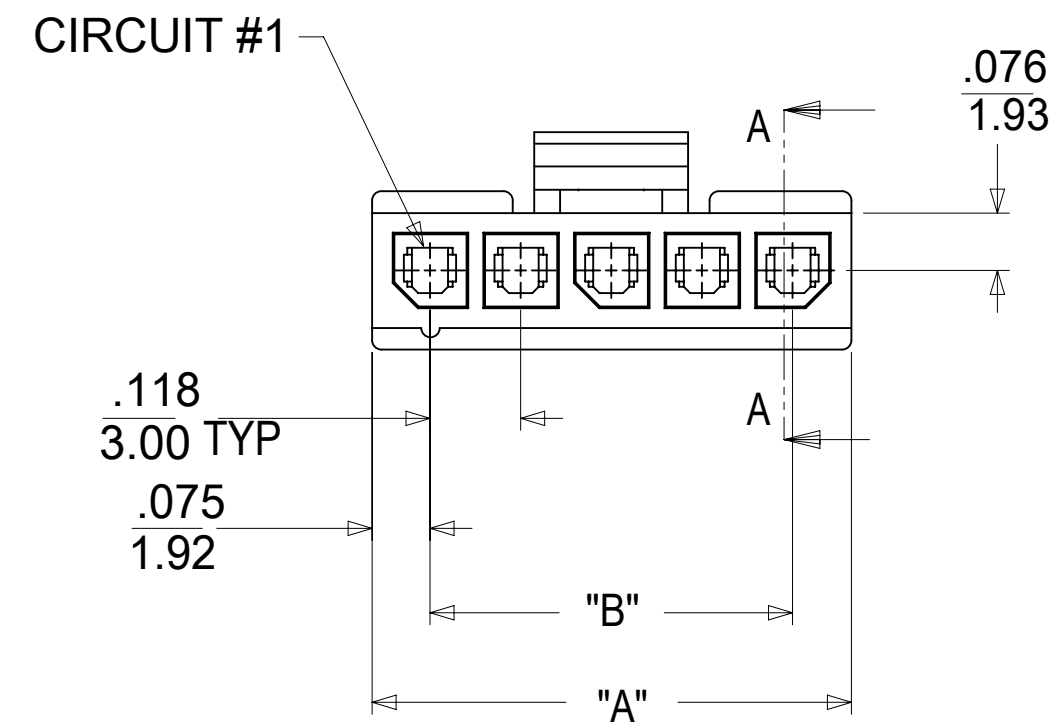
CIRCUIT #1 IDENTIFIER



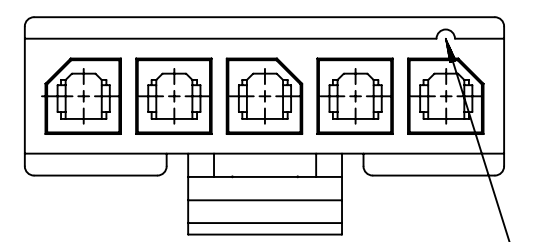
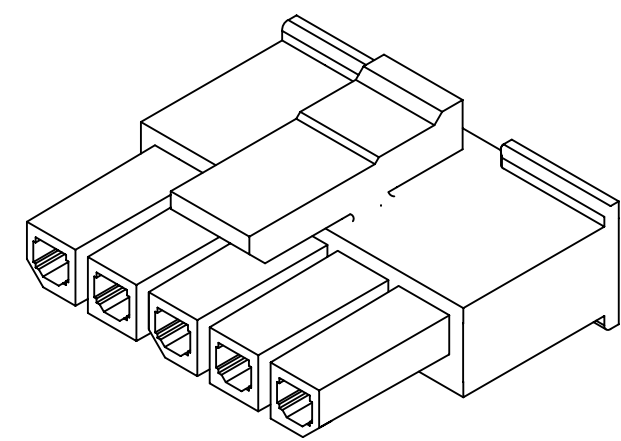
CIRCUIT #1 IDENTIFIER



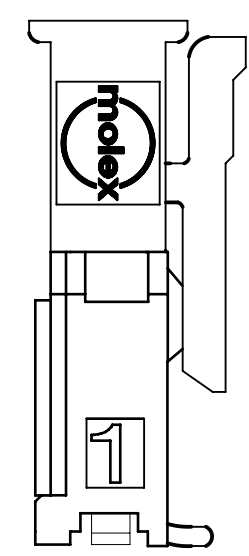
(2 CIRCUIT HOUSING)



(3-12 CIRCUIT HOUSING)

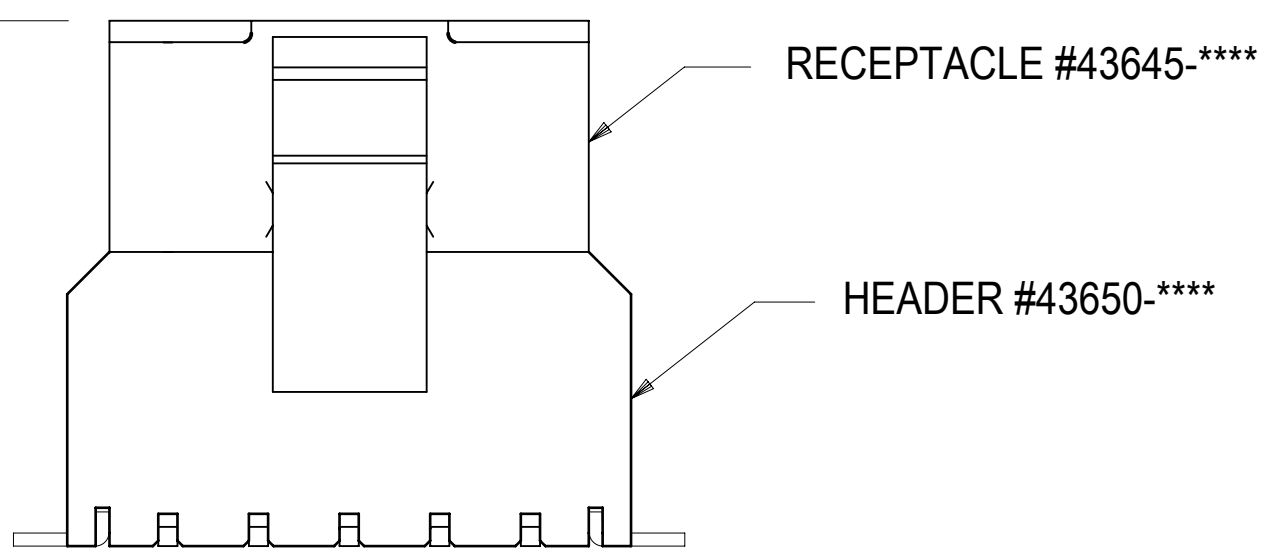


FIRST CIRCUIT IDENTIFIER RIB (ALL CIRCUIT SIZES)



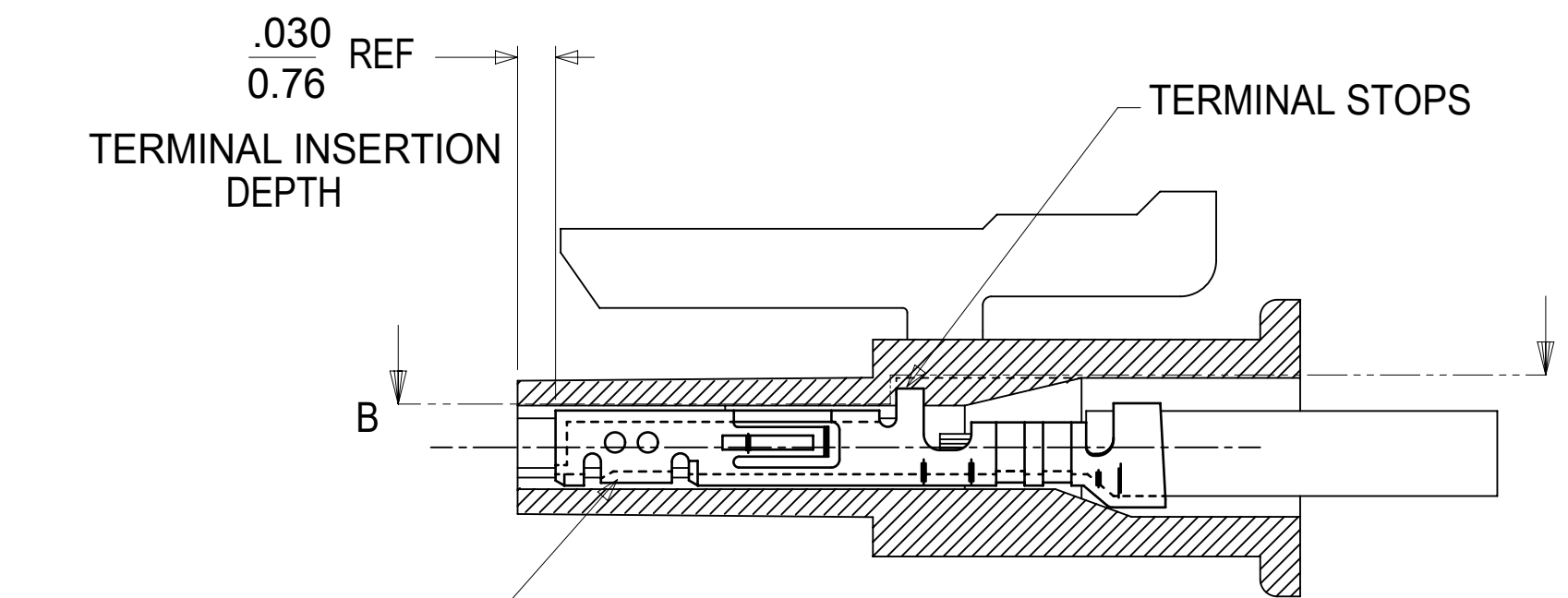
.691 (17.56)

MATED MICRO-FIT CONNECTOR



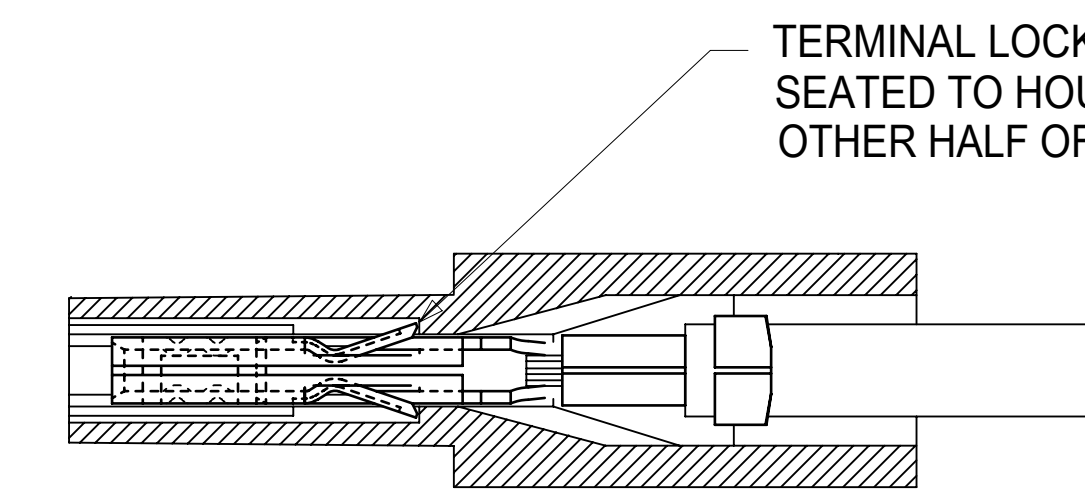
RECEPTACLE #43645-****

HEADER #43650-****



SECTION "A"-A"

SHOWN WITH TERMINAL INSTALLED

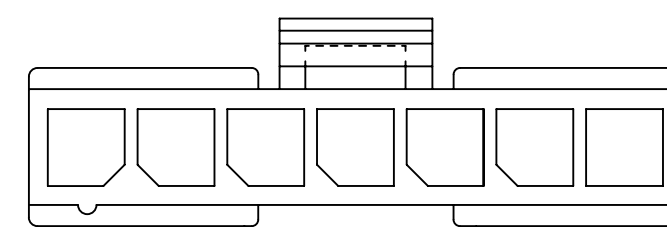


SECTION "B"-B"

TERMINAL LOCKING TABS MUST BE FULLY SEATED TO HOUSING BEFORE MATING WITH OTHER HALF OF THE CONNECTOR SYSTEM.

NOT RELEASED	ITEM NUMBER	NUMBER OF CIRCUIT	DIM. "A"	DIM. "B"
	43645-0208	02	SEE DETAIL	.118/(3.00)
	43645-0308	03	.388/(9.85)	.236/(6.00)
	43645-0408	04	.506/(12.85)	.354/(9.00)
	43645-0508	05	.624/(15.85)	.472/(12.00)
	43645-0608	06	.742/(18.85)	.591/(15.00)
X		07	.860/(21.85)	.709/(18.00)
X		08	.978/(24.85)	.827/(21.00)
X		09	1.096/(27.85)	.945/(24.00)
X		10	1.215/(30.85)	1.063/(27.00)
X		11	1.333/(33.85)	1.181/(30.00)
	43645-1208	12	1.451/(36.85)	1.299/(33.00)

- NOTES:
- MATERIAL: UNFILLED NYLON, UL94V-0, COLOR - BLACK (LOW HALOGEN)
 - FINISH : N/A
 - PRODUCT SPECIFICATION : PS-43650
 - PACKAGING SPECIFICATION: PK-43645-001
 - THIS RECEPTACLE ACCEPTS MOLEX MICRO FIT FEMALE CRIMP TERMINALS SERIES 43030 OR 46235. SEE SECTION "A"-A" FOR TERMINAL ORIENTATION IN HOUSING.
 - FOR OVERMOLDING PARAMETERS SEE APPLICATION SPECIFICATION 430250000-AS.
 - THIS RECEPTACLE MATES WITH MOLEX PCB HEADER 43650 SERIES AND MOLEX PLUG 43640 SERIES (WIRE TO WIRE APPLICATIONS).
 - SOME HOUSINGS MAY HAVE A SMALL GATE BLEMISH NEAR THE GATE LOCATION THAT DOES NOT AFFECT FUNCTIONALITY.
 - MOLEX RECOMMENDS THE USE OF MICRO-FIT TEST PLUG, SERIES 44242-**** WHENEVER CONTINUITY TESTING IS PERFORMED. TEST PLUGS MUST NOT BE USED TO MAKE OR BREAK UNDER LOAD. MOLEX DOES NOT RECOMMEND USING STANDARD MATING COMPONENTS FOR HARNESS TESTING PURPOSES.
 - THIS RIB IS DISCONTINUOUS ON CIRCUIT SIZES 7 THROUGH 12
 - THIS PART CONFORMS TO CLASS 'B' REQUIREMENTS OF COSMETIC SPECIFICATION PS-45499-002.
 - TEXT ON PART IS FOR REFERENCE ONLY. TEXT AND TEXT LOCATION MAY VARY DEPENDING ON PART NUMBER AND/OR TOOL.



SEE NOTE 10

FUNCTIONAL SYMBOLS FA = 0 FC = 0 FP = 0	THIS DRAWING CONTAINS INFORMATION THAT IS PROPRIETARY TO MOLEX ELECTRONIC TECHNOLOGIES, LLC AND SHOULD NOT BE USED WITHOUT WRITTEN PERMISSION		CURRENT REV DESC: 43645-1208 TOOLED		
	DIMENSION UNITS	SCALE	<p>MICRO-FIT (3.0) RECEPTACLE, LOW HALOGEN SINGLE ROW, 2 THRU 12 CIRCUIT</p> <p>PRODUCT CUSTOMER DRAWING</p>		
	INCH/MM	NTS			
	GENERAL TOLERANCES (UNLESS SPECIFIED)				
	MM	INCH			
DIVISIONAL SYMBOLS	4 PLACES	±	±	EC NO: 717370	2022/07/11
	3 PLACES	±	± 0.01	DRWN: MKIPPER	2022/12/19
	2 PLACES	±	± 0.014	CHK'D: RICARC13	2022/12/19
	1 PLACE	±	± 0.35	APPR: FSMITH	
	0 PLACES	±	±	INITIAL REVISION:	
	ANGULAR TOL	±	± 0.5 °	DRWN: MKIPPER	2008/01/21
	DRAFT WHERE APPLICABLE MUST REMAIN WITHIN DIMENSIONS			APPR: FSMITH	2016/08/12
	THIRD ANGLE PROJECTION			DRAWING	SERIES
				D-SIZE	43645
				MATERIAL NUMBER	CUSTOMER
				SEE CHART	GENERAL MARKET
				DOCUMENT NUMBER	DOC TYPE
				SD-43645-001	PSD
				DOC PART	REVISION
				001	A6
				SHEET NUMBER	
				1 OF 1	

DOCUMENT STATUS	P1	RELEASE DATE	2022/12/19	22:07:24
-----------------	----	--------------	------------	----------