



产品编号 : 436450610

**Product Description** : Micro-Fit 3.0  
Receptacle Housing, Single Row, 6  
Circuits, UL 94V-2, Glow-Wire Capable,  
Black

系列号 : 43645

**状态** : Active

**Product Category** : Connector Housings

---

## 文件和资源

### 图纸

图纸 436450610\_sd.pdf

### 3D 模型和设计文件

3D模型 436450610\_stp.zip

### 规格

应用规格 430250000-AS-000.pdf

包装规格 PK-43645-001-001.pdf

产品规格 436500001-PS-JA-000.pdf

产品规格 436500001-PS-K0-000.pdf

产品规格 436500001-PS-SP-000.pdf

产品规格 PS-43650-001.pdf

测试摘要 430450005-TS-000.pdf

测试摘要 430450006-TS-000.pdf

测试摘要 TS-43045-001-001.pdf

测试摘要 TS-43045-002-001.pdf


测试摘要 TS-43045-003-001.pdf

测试摘要 TS-46235-001-001.pdf

---

## 产物环境合规

### 合规

GADSL/IMDS	Not Relevant
China RoHS	
EU ELV	Not Relevant
Low-Halogen Status	Not Low-Halogen per IEC 61249-2-21
REACH SVHC	Not Contained per D(2023)8585-DC (23 Jan 2024)
EU RoHS	Compliant per EU 2015/863

## 多部分产品合规性声明

- Eu RoHS
- REACH SVHC
- Low-Halogen
- IPC 1752A Class C
- IPC 1752A Class D
- Molex Product Compliance Declaration
- IEC-62474
- chemSHERPA (xml)

## 欧盟 RoHS 合格证书

---

### 产品详情

#### 常规

状态	活动
类别	Connector Housings
系列	43645
说明	Micro-Fit 3.0 Receptacle Housing, Single Row, 6 Circuits, UL 94V-2, Glow-Wire Capable, Black
应用	Power, Wire-to-Board, Wire-to-Wire
产品系列	Micro-Fit Connector System
产品名称	Micro-Fit 3.0
UPC	889056705226

#### 机构

CSA	LR19980
UL	E29179

#### 物理

电路数（最多）	6
颜色-树脂	黑色
阻燃性	94V-2
性别	Receptacle
符合灼热丝规范	是
插接极性	无
锁定插接部位	是

材料 - 树脂	Nylon
净重	0.785/g
行数	1
包装形式	Bag
面板安装式	否
间距 - 插配接口	3.00mm
有极性的插配件	是
可堆叠的	否
运行温度范围	-40° to +125° C

## 可配插/可连接使用的产品

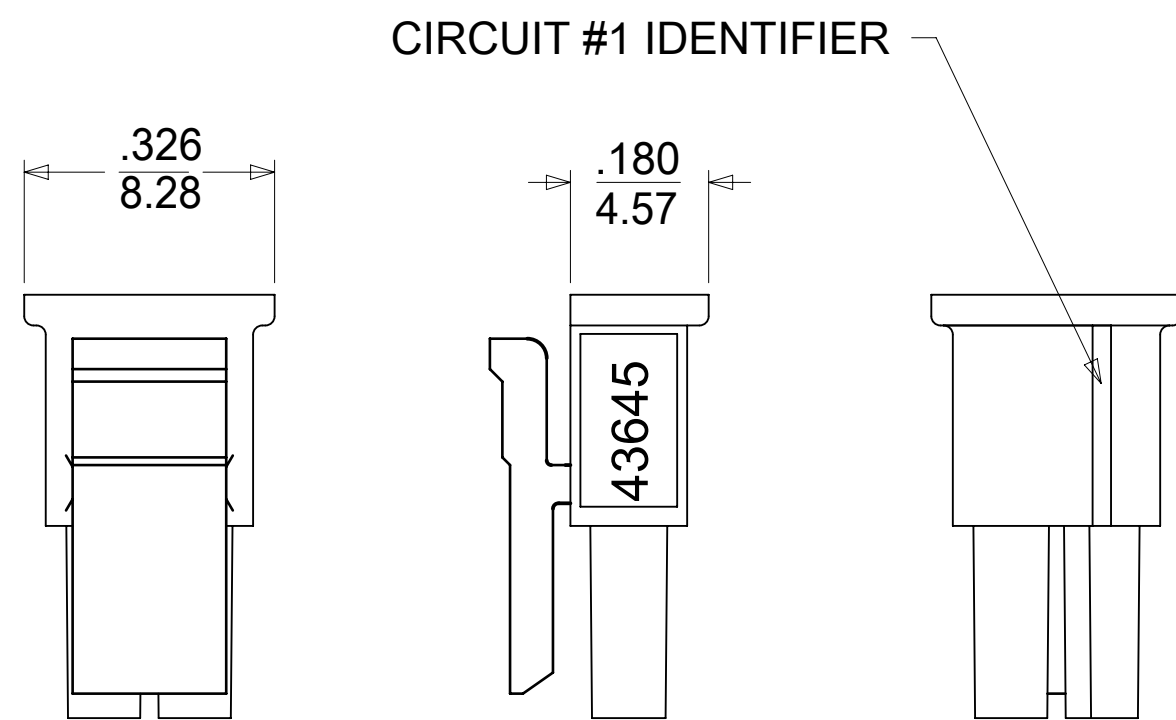
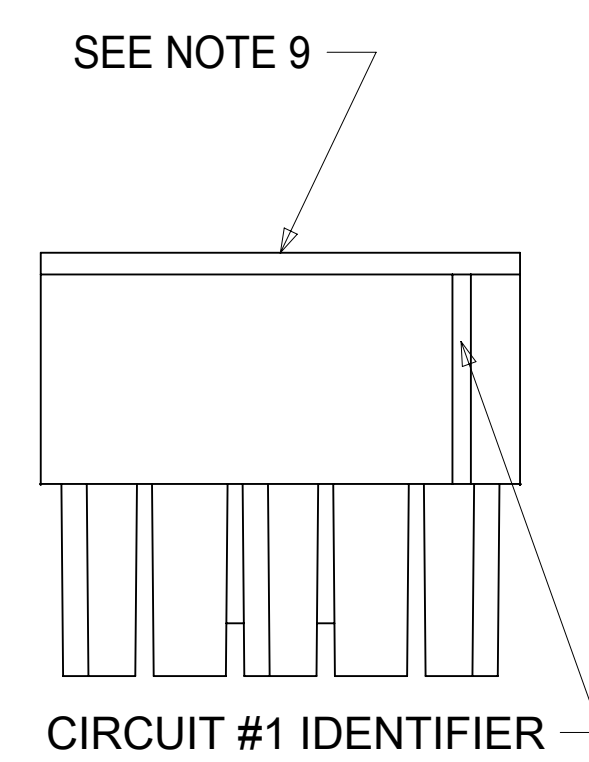
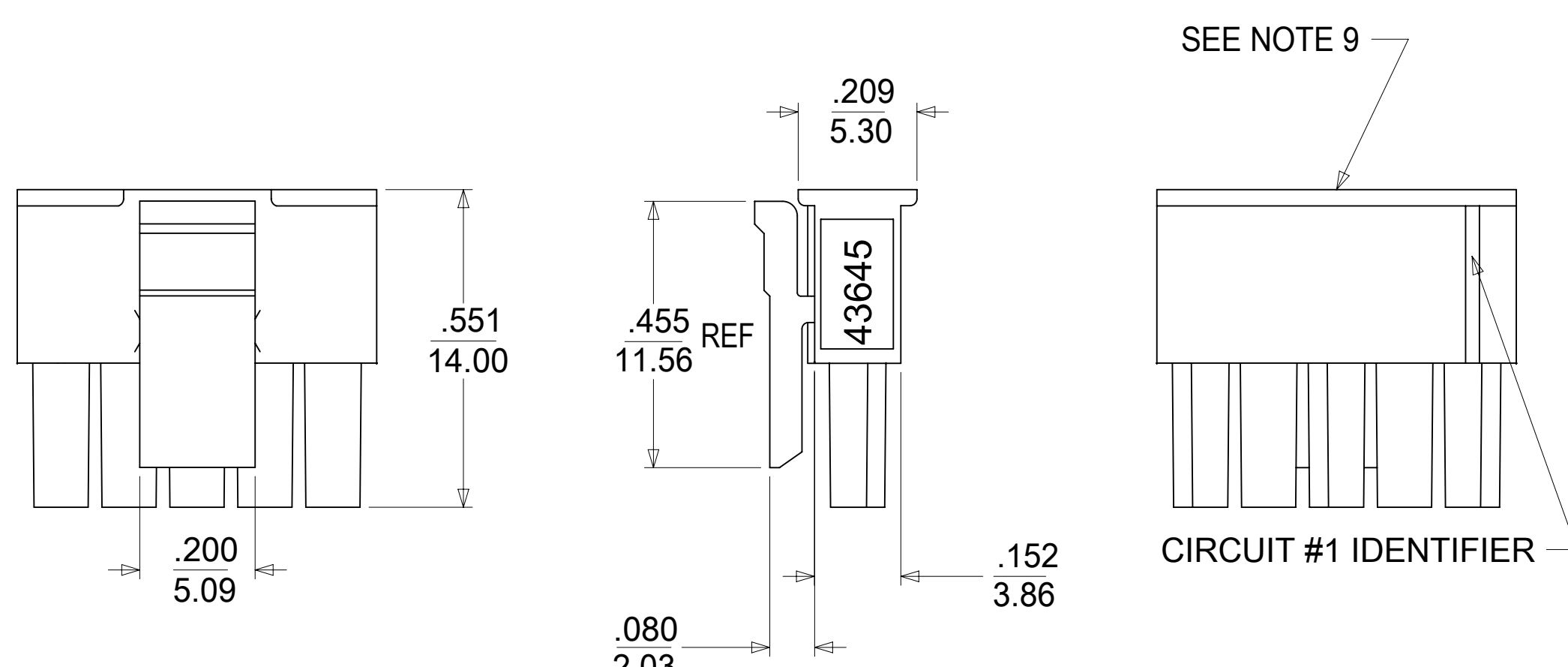
### 可配插部件

描述	产品编号
Micro-Fit 3.0 Single Row Plug Housings	<u>43640</u>
Micro-Fit TPA Single Row Plug Housings	<u>200875</u>
Micro-Fit 3.0 Single Row Headers	<u>43650</u>
Micro-Fit 3.0 Male-to-Micro-Fit 3.0 Male Off-the-Shelf (OTS) Cable Assemblies	<u>214752</u>
Micro-Fit 3.0 Male-to-Pigtail Off-the-Shelf (OTS) Cable Assemblies	<u>214753</u>

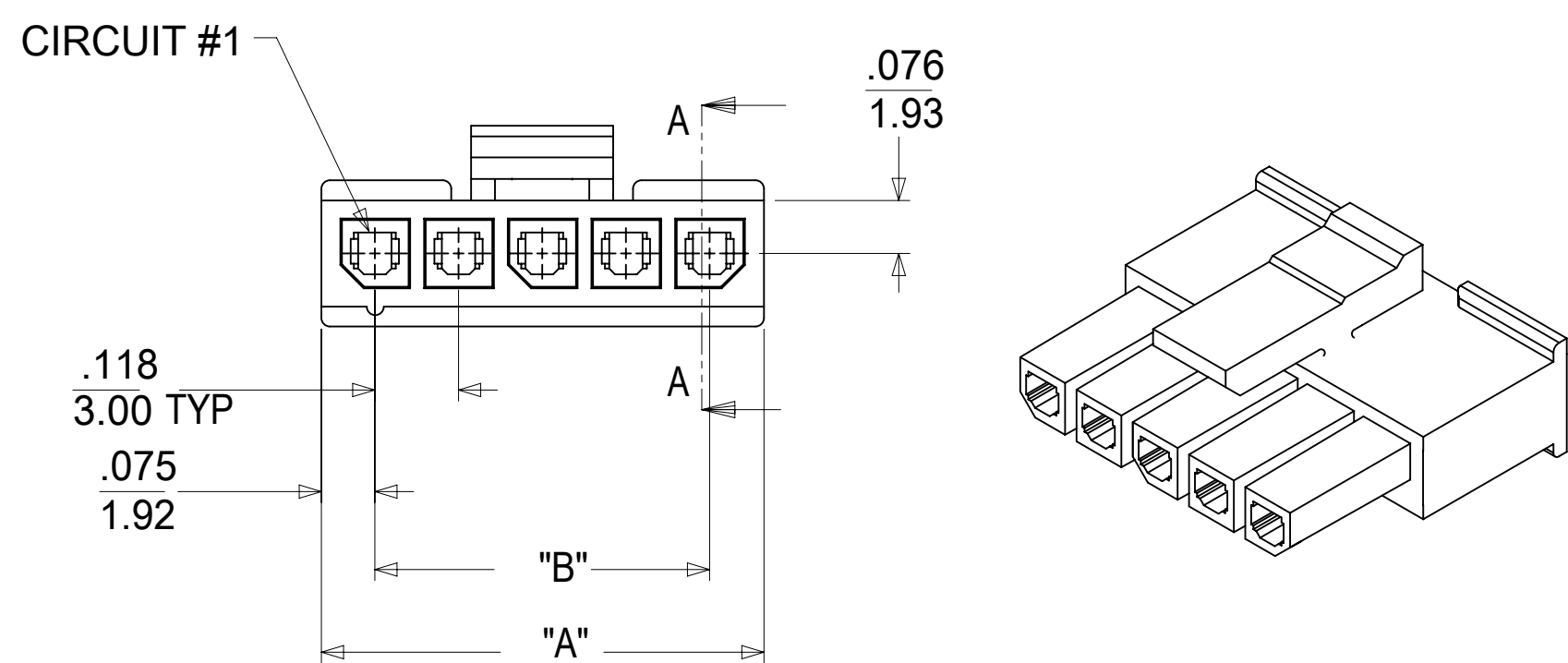
### 可连接使用部件

描述	产品编号
Pre-Crimped Lead Micro-Fit 3.0 Female-to-Micro-Fit 3.0 Female, Tin (Sn) Plating, 150.00mm Length, 20 AWG, Black	<u><a href="/content/molex/molex-dot-com/cn/zh/products/product-page.html/797580002.html">/content/molex/molex-dot-com/cn/zh/products/product-page.html/797580002.html</a></u>
Pre-Crimped Lead Micro-Fit 3.0 Female-to-Micro-Fit 3.0 Female, Gold (Au) Plating, 150.00mm Length, 20 AWG, Black	<u><a href="/content/molex/molex-dot-com/cn/zh/products/product-page.html/797580004.html">/content/molex/molex-dot-com/cn/zh/products/product-page.html/797580004.html</a></u>
Pre-Crimped Lead Micro-Fit 3.0 Female-to-Micro-Fit 3.0 Female, Tin (Sn) Plating, 300.00mm Length, 20 AWG, Black	<u><a href="/content/molex/molex-dot-com/cn/zh/products/product-page.html/797580010.html">/content/molex/molex-dot-com/cn/zh/products/product-page.html/797580010.html</a></u>

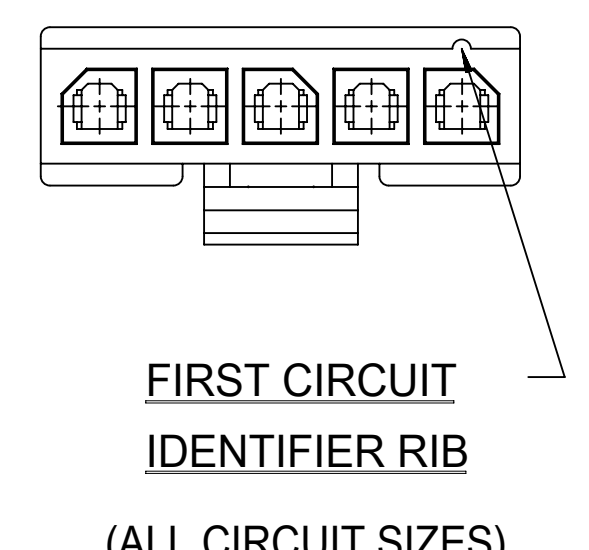
Pre-Crimped Lead Micro-Fit 3.0 Female-to-Micro-Fit 3.0 Female, Gold (Au) Plating, 300.00mm Length, 20 AWG, Black	<a href="/content/molex/molex-dot-com/cn/zh/products/product-page.html/797580012.html">/content/molex/molex-dot-com/cn/zh/products/product-page.html/797580012.html</a>
Micro-Fit 3.0 Female Crimp Terminals	<u>43030</u>
Micro-Fit Reduced Mating Force Female Crimp Terminals	<u>46235</u>
Pre-Crimped Lead Micro-Fit 3.0 Female-to-Micro-Fit 3.0 Female	<u>214760</u>
Pre-Crimped Lead Micro-Fit 3.0 Female-to-Pigtail	<u>214761</u>



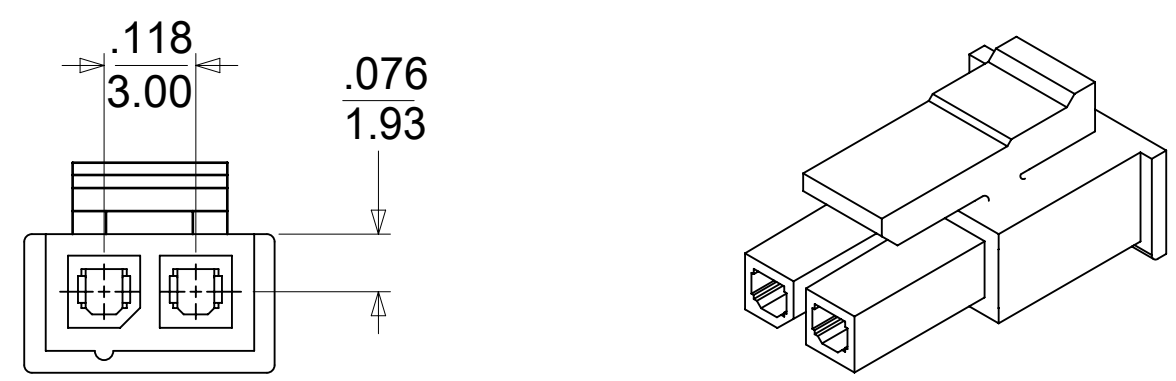
TOOLED	MATERIAL NUMBER	NUMBER OF CIRCUIT	DIM. "A"	DIM. "B"
YES	43645-0210	02	SEE DETAIL	.118/(3.00)
YES	43645-0310	03	.388/(9.85)	.236/(6.00)
YES	43645-0410	04	.506/(12.85)	.354/(9.00)
YES	43645-0510	05	.624/(15.85)	.472/(12.00)
YES	43645-0610	06	.742/(18.85)	.591/(15.00)
NO	43645-0710	07	.860/(21.85)	.709/(18.00)
NO	43645-0810	08	.978/(24.85)	.827/(21.00)
NO	43645-0910	09	1.096/(27.85)	.945/(24.00)
NO	43645-1010	10	1.215/(30.85)	1.063/(27.00)
NO	43645-1110	11	1.333/(33.85)	1.181/(30.00)
NO	43645-1210	12	1.451/(36.85)	1.299/(33.00)



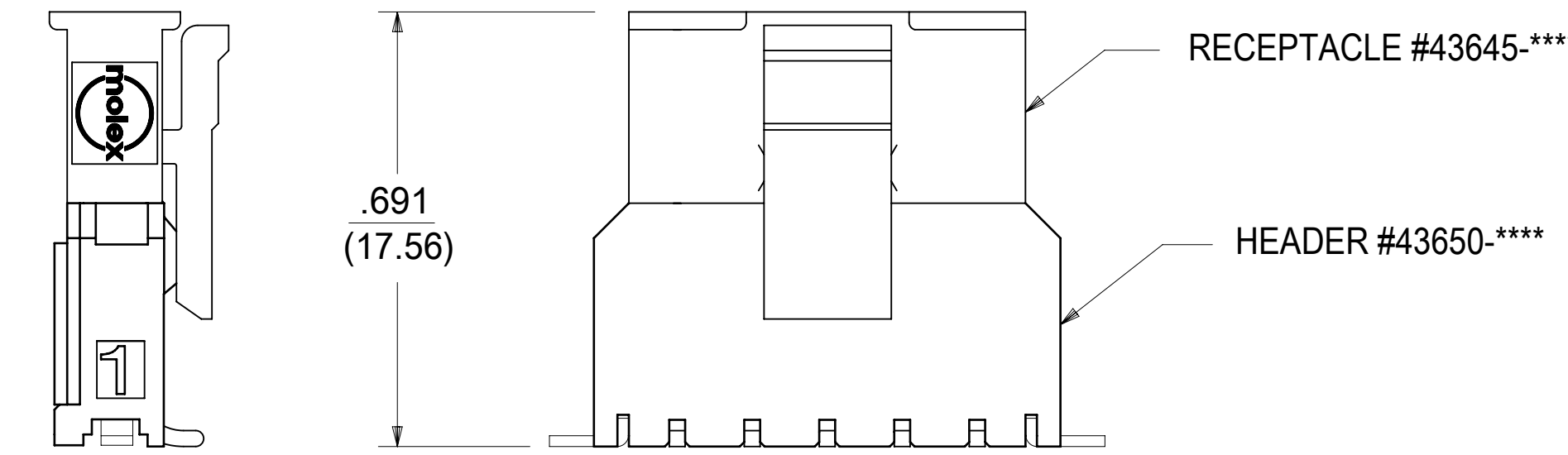
(3-12 CIRCUIT HOUSING)



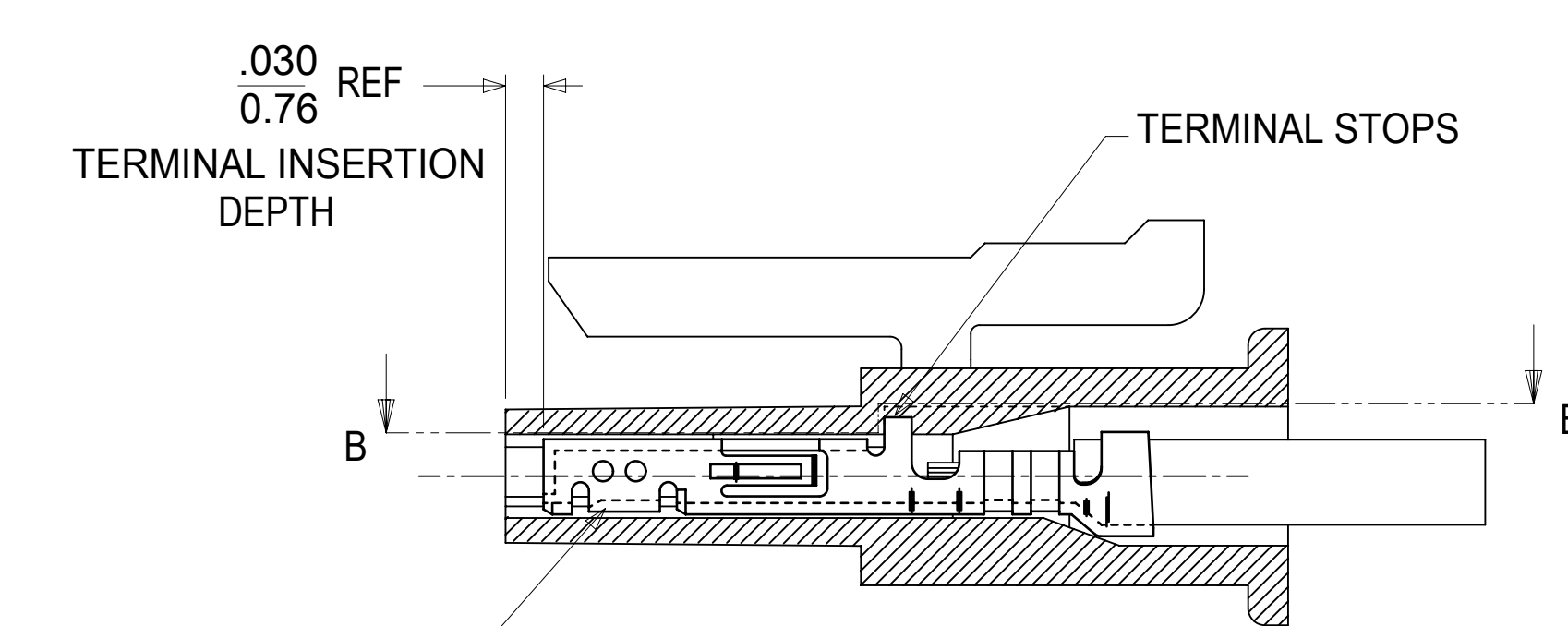
FIRST CIRCUIT IDENTIFIER RIB  
(ALL CIRCUIT SIZES)



(2 CIRCUIT HOUSING)

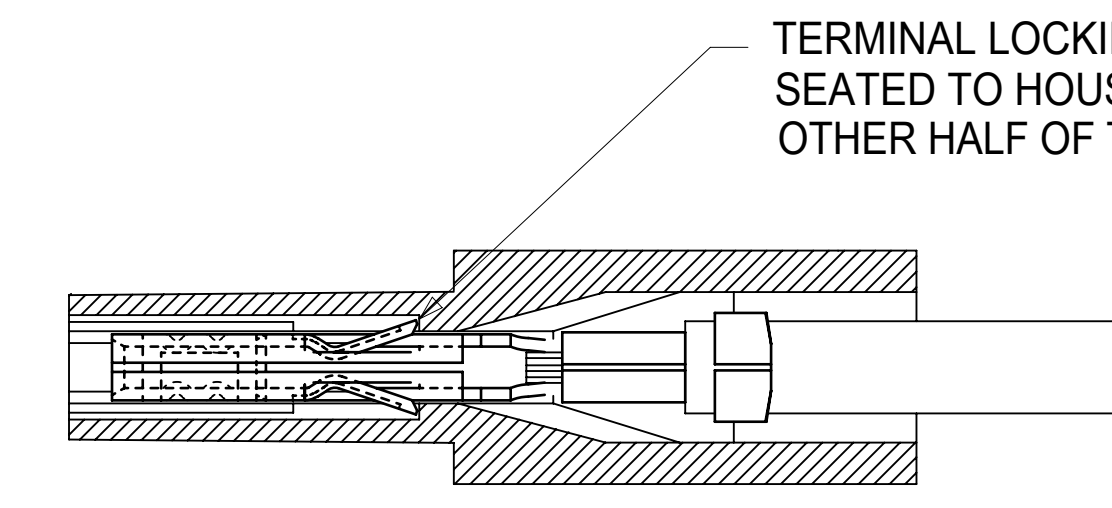


MATED MICRO-FIT CONNECTOR



SECTION "A"- "A"

SHOWN WITH TERMINAL INSTALLED

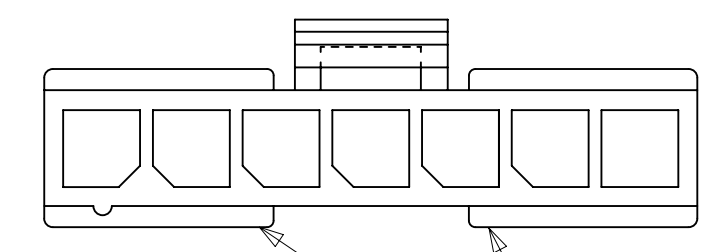


SECTION "B"- "B"

TERMINAL LOCKING TABS MUST BE FULLY SEATED TO HOUSING BEFORE MATING WITH OTHER HALF OF THE CONNECTOR SYSTEM.

NOTES:

1. MATERIAL : UNFILLED NYLON, UL94V-2, IEC 60335-1 GLOW WIRE CAPABLE, COLOR - BLACK. \* MATERIAL NUMBERS ON THIS DRAWING ARE GLOW WIRE CAPABLE SINCE INCEPTION.
2. FINISH : N/A
3. PRODUCT SPECIFICATION : PS-43650
4. PACKAGING SPECIFICATION: PK-43645-001.
5. THIS RECEPTACLE TO BE USED WITH MOLEX FEMALE TERMINAL SERIES 43030 OR 46235. SEE SECTION "A"- "A" FOR TERMINAL ORIENTATION IN HOUSING.
6. FOR OVERMOLDING PARAMETERS SEE APPLICATION SPECIFICATON 430250000-AS.
7. THIS RECEPTACLE MATES WITH MOLEX PCB HEADER 43650 SERIES AND MOLEX PLUG 43640 SERIES (WIRE TO WIRE APPLICATIONS).
8. MOLEX RECOMMENDS THE USE OF MICRO-FIT TEST PLUG, SERIES 44242-\*\*\*\* WHENEVER CONTINUITY TESTING IS PERFORMED. TEST PLUGS MUST NOT BE USED TO MAKE OR BREAK UNDER LOAD. MOLEX DOES NOT RECOMMEND USING STANDARD MATING COMPONENTS FOR HARNESS TESTING PURPOSES.
9. THIS RIB IS DISCONTINUOUS ON CIRCUIT SIZES 7 THROUGH 12
10. THIS PART CONFORMS TO CLASS 'B' REQUIREMENTS OF COSMETIC SPECIFICATION PS-45499-002, WITH THE EXCEPTION OF FLASH, DISCOLORATION, AND SINK MEET CLASS "C" REQUIREMENTS.
11. HOUSINGS MAY HAVE DISCOLORATION AREAS THAT DO NOT AFFECT FUNCTIONALITY. DISCOLORATION AREAS MAY EXTEND ACROSS THE ENTIRE LENGTH OF THE FACES OF THE PART.
12. TEXT ON PART IS FOR REFERENCE ONLY. TEXT AND TEXT LOCATION MAY VARY DEPENDING ON PART NUMBER AND/OR TOOL.



SEE NOTE 9

SYMBOLS		THIS DRAWING CONTAINS INFORMATION THAT IS PROPRIETARY TO MOLEX ELECTRONIC TECHNOLOGIES, LLC AND SHOULD NOT BE USED WITHOUT WRITTEN PERMISSION		CURRENT REV DESC: UPDATE NOTE 6	
▽ = 0	IN/MM	SCALE	NTS		
▽ = 0	GENERAL TOLERANCES (UNLESS SPECIFIED)		EC NO: 168740		
▽ = 0	4 PLACES ±	MM	INCH	DRWN: AZAHIROVIC	2018/01/03
▽ = 0	3 PLACES ±	± 0.01		CHK'D: SSOUSEK	2018/06/01
▽ = 0	2 PLACES ±	± 0.25	± 0.014	APPR: FSMITH	2018/06/01
▽ = 0	1 PLACE ±	± 0.35	±	INITIAL REVISION:	
▽ = 0	0 PLACES ±	±	±	DRWN: JDFOX	2015/02/09
▽ = 0	ANGULAR TOL	± 0.5 °		APPR: FSMITH	2016/08/12
▽ = 0	DRAFT WHERE APPLICABLE MUST REMAIN WITHIN DIMENSIONS		THIRD ANGLE PROJECTION	DRAWING	SERIES
▽ = 0				D-SIZE	43645
DOCUMENT STATUS		P1	RELEASE DATE	2018/06/01	21:26:27
DOCUMENT NUMBER		DOC TYPE		DOC PART	REVISION
SD-43645-002		PSD		001	A3
MATERIAL NUMBER		CUSTOMER		SHEET NUMBER	
SEE CHART		GENERAL MARKET		1 OF 1	