



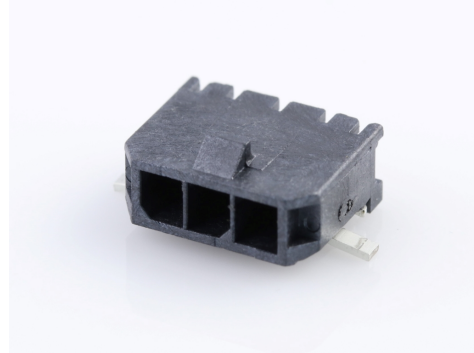
产品编号：[436500312](#)

Product Description : Micro-Fit 3.0 Right-Angle Header, 3.00mm Pitch, Single Row, 3 Circuits, with Solder Tab, Tin, Glow-Wire Capable, Black, Tape and Reel

系列号：43650

状态：Active

Product Category : PCB Headers and Receptacles



文件和资源

图纸

[图纸 436500312_sd.pdf](#)

[包装设计图 436500001-PK-000.pdf](#)

[包装设计图 708730000-PK-000.pdf](#)

3D 模型和设计文件

[3D模型 436500312_stp.zip](#)

[符号足迹数据 SYM-43650-0312-001.zip](#)

规格

[产品规格 436500001-PS-JA-000.pdf](#)

[产品规格 436500001-PS-KO-000.pdf](#)

[产品规格 436500001-PS-SP-000.pdf](#)

[产品规格 PS-43650-001.pdf](#)

[测试摘要 430450004-TS-000.pdf](#)

[测试摘要 TS-43045-001-001.pdf](#)

[测试摘要 TS-43045-002-001.pdf](#)

[测试摘要 TS-46235-001-001.pdf](#)

产物环境合规

合规

GADSL/IMDS	Not Relevant
China RoHS	
EU ELV	Not Relevant
Low-Halogen Status	Low-Halogen per IEC 61249-2-21
REACH SVHC	Not Contained per D(2023)8585-DC (23 Jan 2024)
EU RoHS	Compliant per EU 2015/863

多部分产品合规性声明

- Eu RoHS
- REACH SVHC
- Low-Halogen

多部分行业合规性文件

- IPC 1752A Class C
- IPC 1752A Class D
- Molex Product Compliance Declaration
- IEC-62474
- chemSHERPA (xml)

欧盟 RoHS 合格证书

产品详情

常规

状态	活动
类别	PCB Headers and Receptacles
系列	43650
说明	Micro-Fit 3.0 Right-Angle Header, 3.00mm Pitch, Single Row, 3 Circuits, with Solder Tab, Tin, Glow-Wire Capable, Black, Tape and Reel
应用	Power, Wire-to-Board

个评论	<p>High Temperature, Square Pin, Solder Type; This Molex product is manufactured from material that has the following ratings, tested by independent agencies:</p> <p>a) A Glow Wire Ignition Temperature (GWIT) of at least 775 deg C per IEC 60695-2-13. b) A Glow Wire Flammability Index (GWFI) above 850 deg C per IEC 60695-2-12 and hence complies with the requirements set out in the International Standard IEC 60335-1 5th edition - household and similar electrical appliances - safety, section 30 Resistance to heat and fire. The customers using this product must determine its suitability for use in their particular application through testing or other acceptable means as described in end-product glow-wire flammability test standard IEC 60695-2-11 and any applicable product end-use standard(s). If it is determined during the customer's evaluation of suitability, that higher performance is required, please contact Molex for possible product options.</p>
元件类型	PCB Header
产品系列	Micro-Fit Connector System
产品名称	Micro-Fit 3.0
UPC	800754366328

机构

CSA	LR19980
UL	E29179

电气

每触点最大电流	8.5A
电压 - 最大	600V

物理

断开	否
回路数 (已载入)	3
电路数 (最多)	3

颜色-树脂	黑色
耐用性(插拔次数) - 最多次数	30
阻燃性	94V-0
符合灼热丝规范	是
插配长度	6.98mm
材料 - 金属	Brass
材料 - 接合部位电镀	Tin
材料 - 终端电镀	Tin
材料 - 树脂	High Temperature Thermoplastic
净重	0.685/g
行数	1
方向	Right Angle
包装形式	Embossed Tape on Reel
PCB 定位器	是
PCB 保持力	是
推荐的 PCB 厚度	1.60mm
间距 - 插配接口	3.00mm
最薄镀层 - 接合部位	2.540µm
最薄镀层 - 端接	2.540µm
PCB 极性	是
有护墙的	Fully
可堆叠的	否
运行温度范围	-40° to +105° C
终端界面类型	Surface Mount

进程

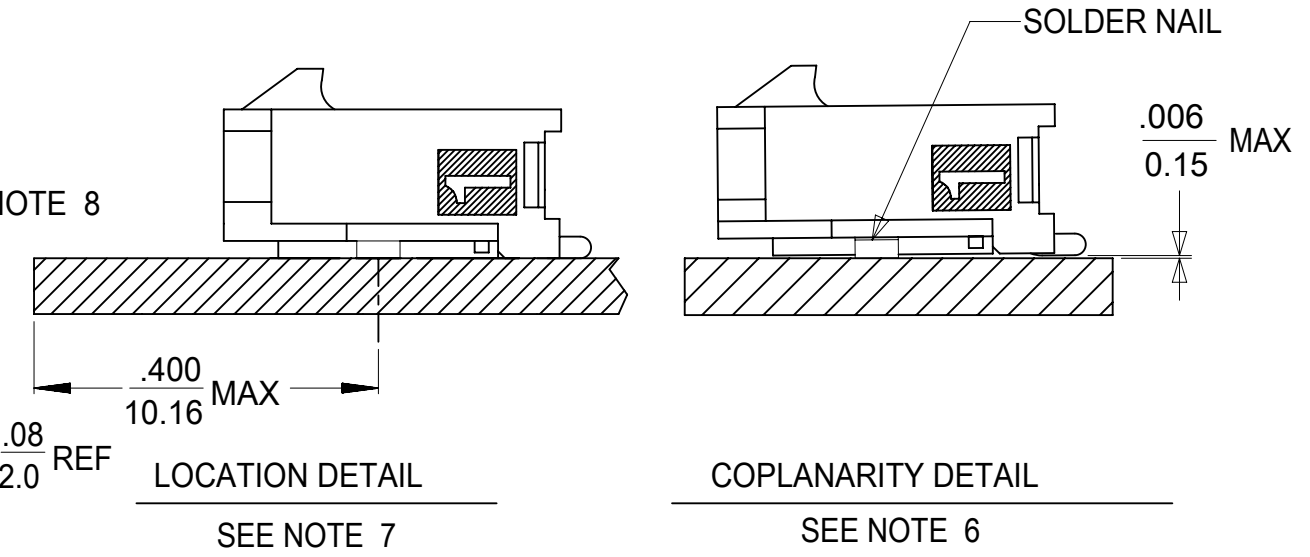
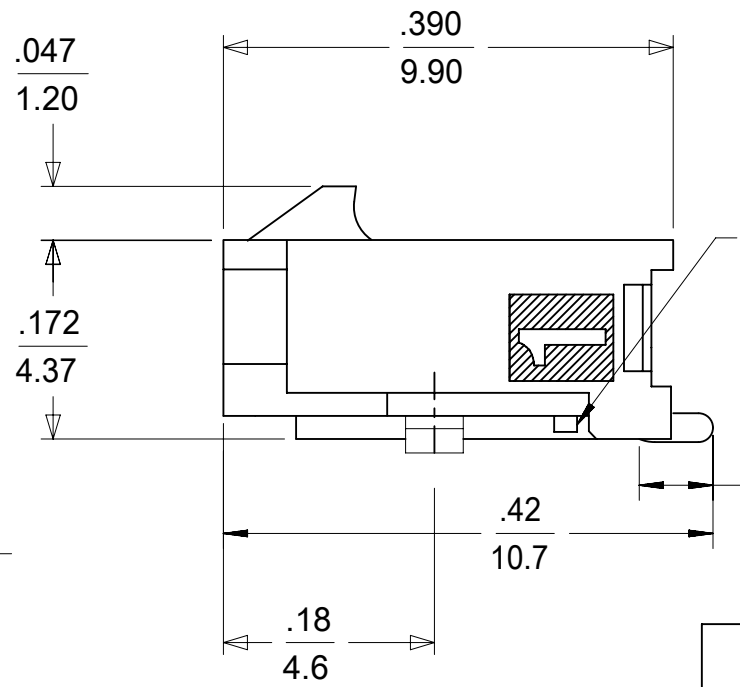
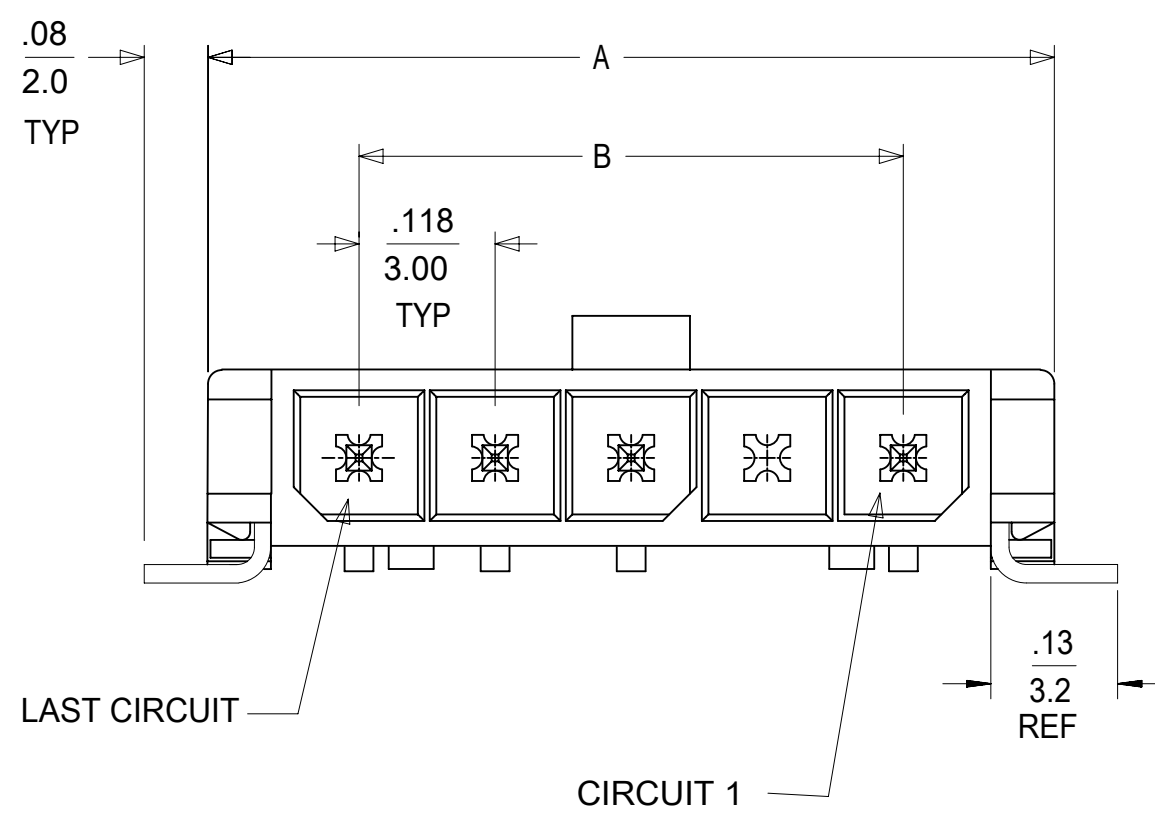
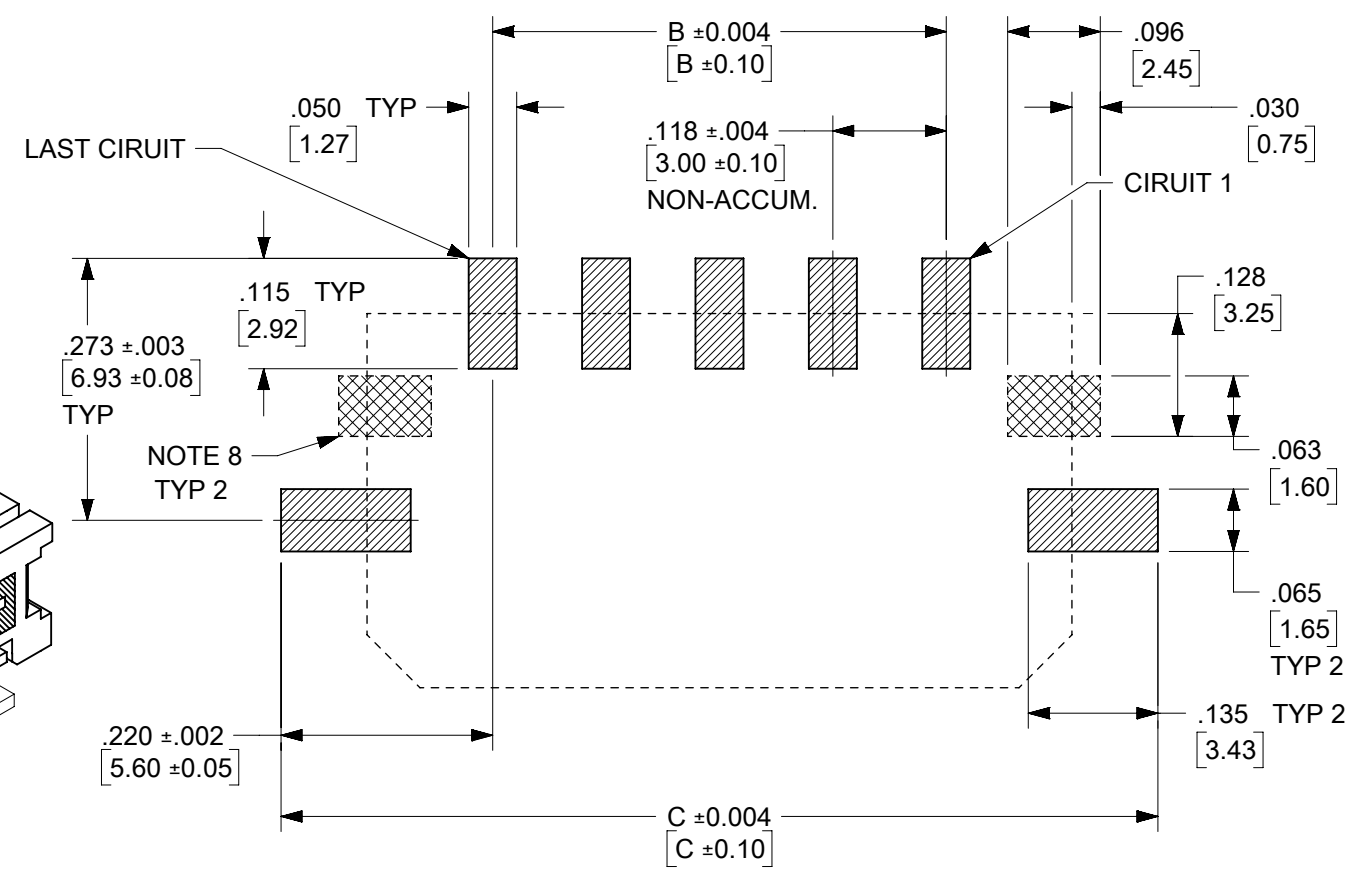
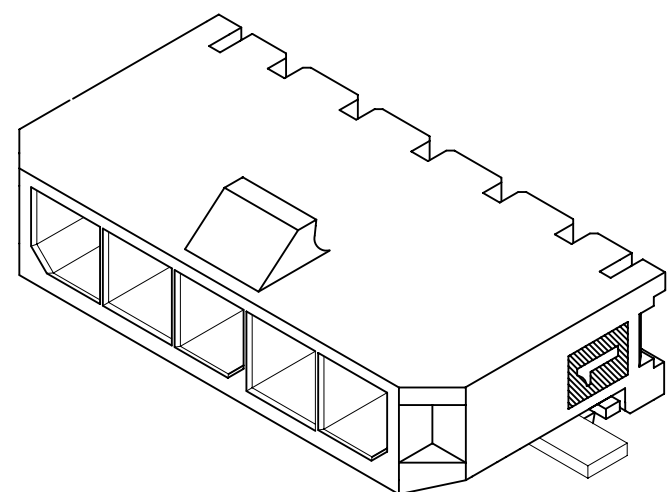
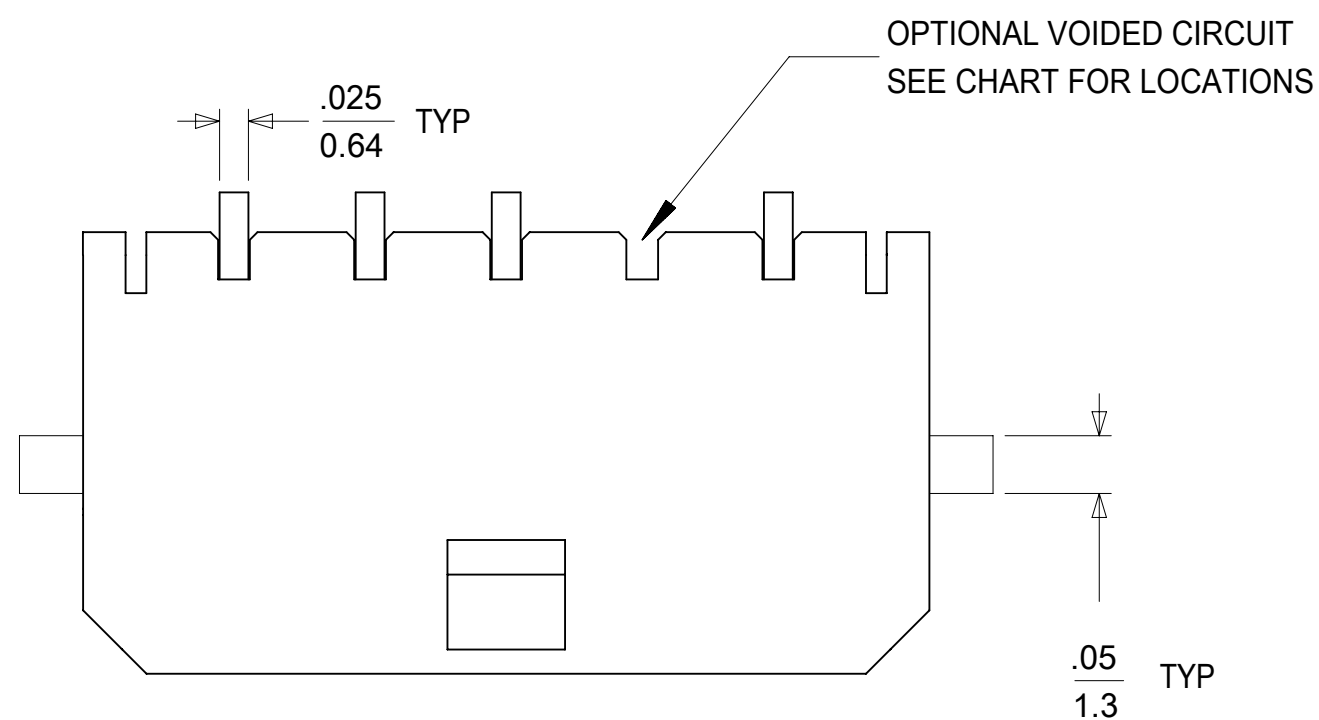
最长持续时间	30
无铅	REFLOW
最大周期	3
最高温度	260

可配插/可连接使用的产品

可配插部件

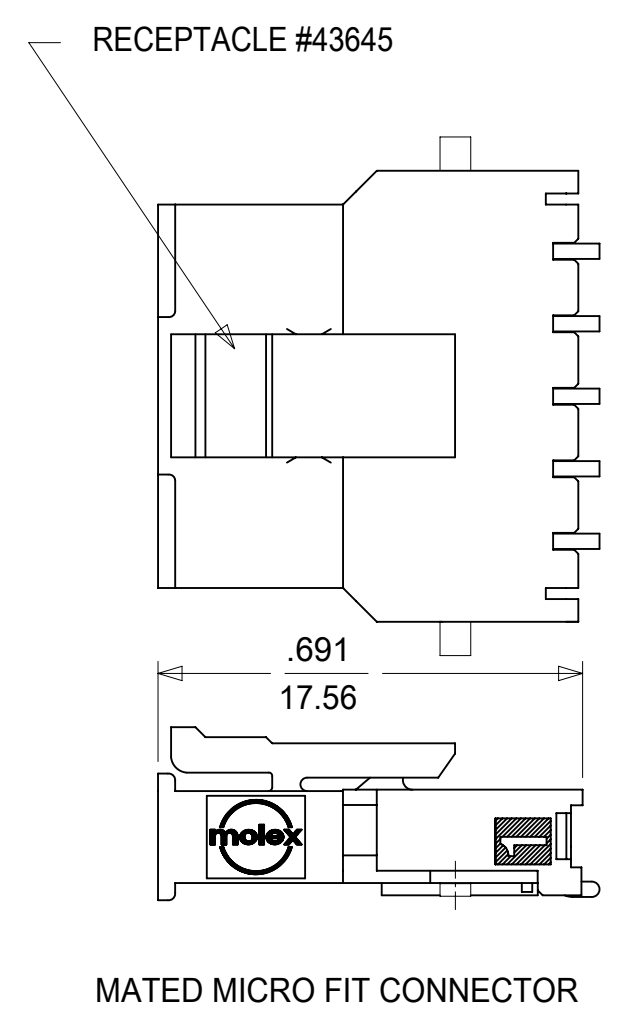
描述	产品编号
----	------

Micro-Fit 3.0 Female-to-Micro-Fit 3.0 Female Off-the-Shelf (OTS) Cable Assembly, Single Row, 150.00mm Length, Tin (Sn) Plating, 3 Circuits, Black	<u>2147501031</u>
Micro-Fit 3.0 Female-to-Micro-Fit 3.0 Female Off-the-Shelf (OTS) Cable Assembly, Single Row, 300.00mm Length, Tin (Sn) Plating, 3 Circuits, Black	<u>2147501032</u>
Micro-Fit 3.0 Female-to-Micro-Fit 3.0 Female Off-the-Shelf (OTS) Cable Assembly, Single Row, 600.00mm Length, Tin (Sn) Plating, 3 Circuits, Black	<u>2147501033</u>
Micro-Fit 3.0 Female-to-Pigtail Off-the-Shelf (OTS) Cable Assembly, Single Row, 150.00mm Length, Tin (Sn) Plating, 3 Circuits, Black	<u>2147511031</u>
Micro-Fit 3.0 Female-to-Pigtail Off-the-Shelf (OTS) Cable Assembly, Single Row, 300.00mm Length, Tin (Sn) Plating, 3 Circuits, Black	<u>2147511032</u>
Micro-Fit 3.0 Female-to-Pigtail Off-the-Shelf (OTS) Cable Assembly, Single Row, 600.00mm Length, Tin (Sn) Plating, 3 Circuits, Black	<u>2147511033</u>
Micro-Fit 3.0 Single Row Receptacle Housings	<u>43645</u>
Micro-Fit TPA Single Row Receptacle Housings	<u>171850</u>
Micro-Fit TPA-to-Micro-Fit TPA Off-the-Shelf (OTS) Cable Assemblies	<u>145132</u>



CKTS	A	B	C
2	.380 9.65	.118 3.00	.559 14.20
3	.498 12.65	.236 6.00	.677 17.20
4	.616 15.65	.354 9.00	.795 20.20
5	.734 18.65	.472 12.00	.913 23.20
6	.852 21.65	.591 15.00	1.031 26.20
7	.970 24.65	.709 18.00	1.150 29.20
8	1.089 27.65	.827 21.00	1.268 32.20
9	1.207 30.65	.945 24.00	1.386 35.20
10	1.325 33.65	1.063 27.00	1.504 38.20
11	1.443 36.65	1.181 30.00	1.622 41.20
12	1.561 39.65	1.299 33.00	1.740 44.20

CKTS	FINISH A		FINISH B		FINISH C	
	MATERIAL NO:	VOID CKT	MATERIAL NO:	VOID CKT	MATERIAL NO:	VOID CKT
02	43650-0212		43650-0213		43650-0214	
03	43650-0312		43650-0313		43650-0314	
04	43650-0412		43650-0413		43650-0414	
05	43650-0512		43650-0513		43650-0514	
06	43650-0612		43650-0613		43650-0614	
07	43650-0712		43650-0713		43650-0714	
08	43650-0812		43650-0813		43650-0814	
09	43650-0912		43650-0913		43650-0914	
10	43650-1012		43650-1013		43650-1014	
11	43650-1112		43650-1113		43650-1114	
12	43650-1212		43650-1213		43650-1214	
03	43650-1312	02			43650-1314	02
04			43650-1413	02		
04			43650-9413	02, 03		



- NOTES:
- HOUSING MATERIAL: LIQUID CRYSTAL POLYMER, GLASS FILLED, UL94V-0, COLOR: BLACK
TERMINAL MATERIAL: BRASS ALLOY
 - FINISH: A = .000060/(0.00152) MIN. REFLOWED MATTE TIN OVER
.000050/(0.00127) MIN. NICKEL
(FINISH IS BRIGHT IN APPEARANCE,
THICKNESS AS APPLIED PRIOR TO REFLOW)
B = .000015/(0.00038) MIN. SELECT GOLD IN CONTACT AREA
.000100/(0.00254) MIN. SELECT MATTE TIN ON SOLDER TAILS
BOTH OVER .000050/(0.00127) NICKEL OVERALL
C = .000030/(0.00076) MIN. SELECT GOLD IN CONTACT AREA
.000100/(0.00254) MIN. SELECT MATTE TIN ON SOLDER TAILS
BOTH OVER .000050/(0.00127) NICKEL OVERALL
 - PRODUCT SPECIFICATION: PS-43650
 - TAPE & REEL PACKAGED PER MOLEX DRAWING 436500001-PK
 - MATES WITH MICRO FIT (3.0) RECEPTACLE SERIES 43645
 - THE COPLANARITY DIMENSION IS ESTABLISHED BY PLACING THE ASSEMBLY ON A FLAT SURFACE. THE DISTANCE FROM THAT SURFACE TO THE BOTTOM OF ANY TERMINAL OR NAIL MUST NOT EXCEED .006/0.15
 - TO AVOID INTERFERENCE BETWEEN RECEPTACLE AND PCB, HEADER MUST BE PLACED WITHIN .400/(10.16) MAX. FROM EDGE OF PCB, AS SHOWN IN LOCATION DETAIL.
 - METAL TAB MAY BE FLUSH WITH PCB. NO EXPOSED TRACES OR VIAS ALLOWED NEAR THESE AREAS.
 - PARTS CONFORM TO CLASS 'B' REQUIREMENTS OF COSMETIC SPECIFICATION PS-45499-002.
 - TEXT ON PART IS FOR REFERENCE ONLY. TEXT AND TEXT LOCATION MAY VARY DEPENDING ON PART NUMBER AND/OR TOOL.

THIS DRAWING CONTAINS INFORMATION THAT IS PROPRIETARY TO MOLEX ELECTRONIC TECHNOLOGIES, LLC AND SHOULD NOT BE USED WITHOUT WRITTEN PERMISSION

FUNCTIONAL DIMENSION SYMBOLS

SCALE: INCH/MM NTS

GENERAL TOLERANCES (UNLESS SPECIFIED)

	MM	INCH
4 PLACES	±	±
3 PLACES	±	± 0.01
2 PLACES	± 0.25	± 0.014
1 PLACE	± 0.36	±
0 PLACES	±	±
ANGULAR TOL	± 0.5°	

DIVISIONAL SYMBOLS

EC NO: 660406
DRWN: MKIPPER
CHK'D: SSOUSEK
APPR: FSMITH

INITIAL REVISION:
DRWN: SAMIEC
APPR: FSMITH

DATE: 2021/04/08
DATE: 2021/04/08
DATE: 2021/04/09

DATE: 2000/07/07
DATE: 2016/03/18

THIRD ANGLE PROJECTION

DRAWING: C-SIZE
SERIES: 43650

PRODUCT CUSTOMER DRAWING

DOCUMENT NUMBER: SD-43650-005
DOC TYPE: PSD
DOC PART: 001
REVISION: E8

MATERIAL NUMBER: SEE CHART
CUSTOMER: GENERAL MARKET
SHEET NUMBER: 1 OF 1