



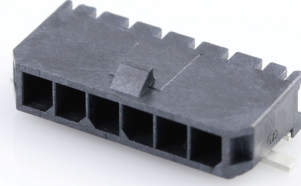
产品编号：[436500612](#)

Product Description : Micro-Fit 3.0 Right-Angle Header, 3.00mm Pitch, Single Row, 6 Circuits, with Solder Tab, Tin, Glow-Wire Capable, Black, Tape and Reel

系列号：[43650](#)

状态：Active

Product Category : PCB Headers and Receptacles



文件和资源

图纸

[图纸 436500612_sd.pdf](#)

[包装设计图 436500001-PK-000.pdf](#)

[包装设计图 708730000-PK-000.pdf](#)

3D 模型和设计文件

[3D模型 436500612_stp.zip](#)

[符号足迹数据 SYM-43650-0612-001.zip](#)

规格

[产品规格 436500001-PS-JA-000.pdf](#)

[产品规格 436500001-PS-KO-000.pdf](#)

[产品规格 436500001-PS-SP-000.pdf](#)

[产品规格 PS-43650-001.pdf](#)

[测试摘要 430450004-TS-000.pdf](#)

[测试摘要 TS-43045-001-001.pdf](#)

[测试摘要 TS-43045-002-001.pdf](#)

[测试摘要 TS-46235-001-001.pdf](#)

产物环境合规

合规

| | |
|--------------------|--|
| GADSL/IMDS | Compliant with Exemption 44; 33 |
| China RoHS | |
| EU ELV | Compliant per 2000/53/EC |
| Low-Halogen Status | Low-Halogen per IEC 61249-2-21 |
| REACH SVHC | Not Contained per D(2023)8585-DC (23 Jan 2024) |
| EU RoHS | Compliant per EU 2015/863 |

多部分产品合规性声明

- Eu RoHS
- REACH SVHC
- Low-Halogen

多部分行业合规性文件

- IPC 1752A Class C
- IPC 1752A Class D
- Molex Product Compliance Declaration
- IEC-62474
- chemSHERPA (xml)

欧盟 RoHS 合格证书

产品详情

常规

| | |
|----|---|
| 状态 | 活动 |
| 类别 | PCB Headers and Receptacles |
| 系列 | 43650 |
| 说明 | Micro-Fit 3.0 Right-Angle Header, 3.00mm Pitch, Single Row, 6 Circuits, with Solder Tab, Tin, Glow-Wire Capable, Black, Tape and Reel |
| 应用 | Power, Wire-to-Board |

| | |
|------|---|
| 个评论 | High Temperature, Square Pin, Solder Type; This Molex product is manufactured from material that has the following ratings, tested by independent agencies: a) A Glow Wire Ignition Temperature (GWIT) of at least 775 deg C per IEC 60695-2-13. b) A Glow Wire Flammability Index (GWFI) above 850 deg C per IEC 60695-2-12 and hence complies with the requirements set out in the International Standard IEC 60335-1 5th edition - household and similar electrical appliances - safety, section 30 Resistance to heat and fire. The customers using this product must determine its suitability for use in their particular application through testing or other acceptable means as described in end-product glow-wire flammability test standard IEC 60695-2-11 and any applicable product end-use standard(s). If it is determined during the customer's evaluation of suitability, that higher performance is required, please contact Molex for possible product options. |
| 元件类型 | PCB Header |
| 产品系列 | Micro-Fit Connector System |
| 产品名称 | Micro-Fit 3.0 |
| UPC | 800754366472 |

机构

| | |
|-----|---------|
| CSA | LR19980 |
| UL | E29179 |

电气

| | |
|---------|------|
| 每触点最大电流 | 8.5A |
| 电压 - 最大 | 600V |

物理

| | |
|-----------|---|
| 断开 | 否 |
| 回路数 (已载入) | 6 |
| 电路数 (最多) | 6 |

| | |
|------------------|--------------------------------|
| 颜色-树脂 | 黑色 |
| 耐用性(插拔次数) - 最多次数 | 30 |
| 阻燃性 | 94V-0 |
| 符合灼热丝规范 | 是 |
| 插配长度 | 6.98mm |
| 材料 - 金属 | Brass |
| 材料 - 接合部位电镀 | Tin |
| 材料 - 终端电镀 | Tin |
| 材料 - 树脂 | High Temperature Thermoplastic |
| 净重 | 1.093/g |
| 行数 | 1 |
| 方向 | Right Angle |
| 包装形式 | Embossed Tape on Reel |
| PCB 定位器 | 是 |
| PCB 保持力 | 是 |
| 推荐的 PCB 厚度 | 1.60mm |
| 间距 - 插配接口 | 3.00mm |
| 最薄镀层 - 接合部位 | 2.540µm |
| 最薄镀层 - 端接 | 2.540µm |
| PCB 极性 | 是 |
| 有护墙的 | Fully |
| 可堆叠的 | 否 |
| 运行温度范围 | -40° to +105° C |
| 终端界面类型 | Surface Mount |

进程

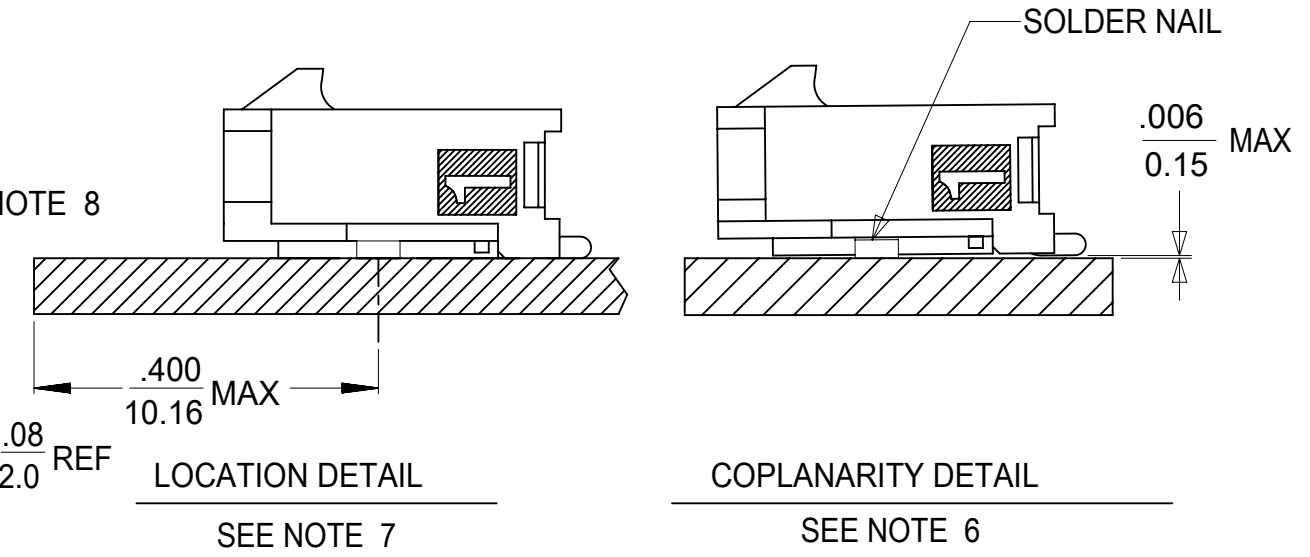
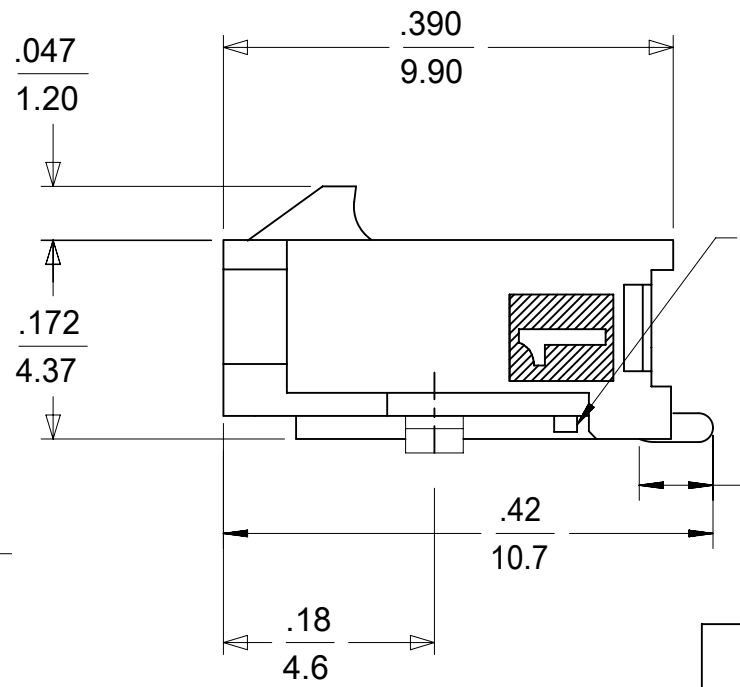
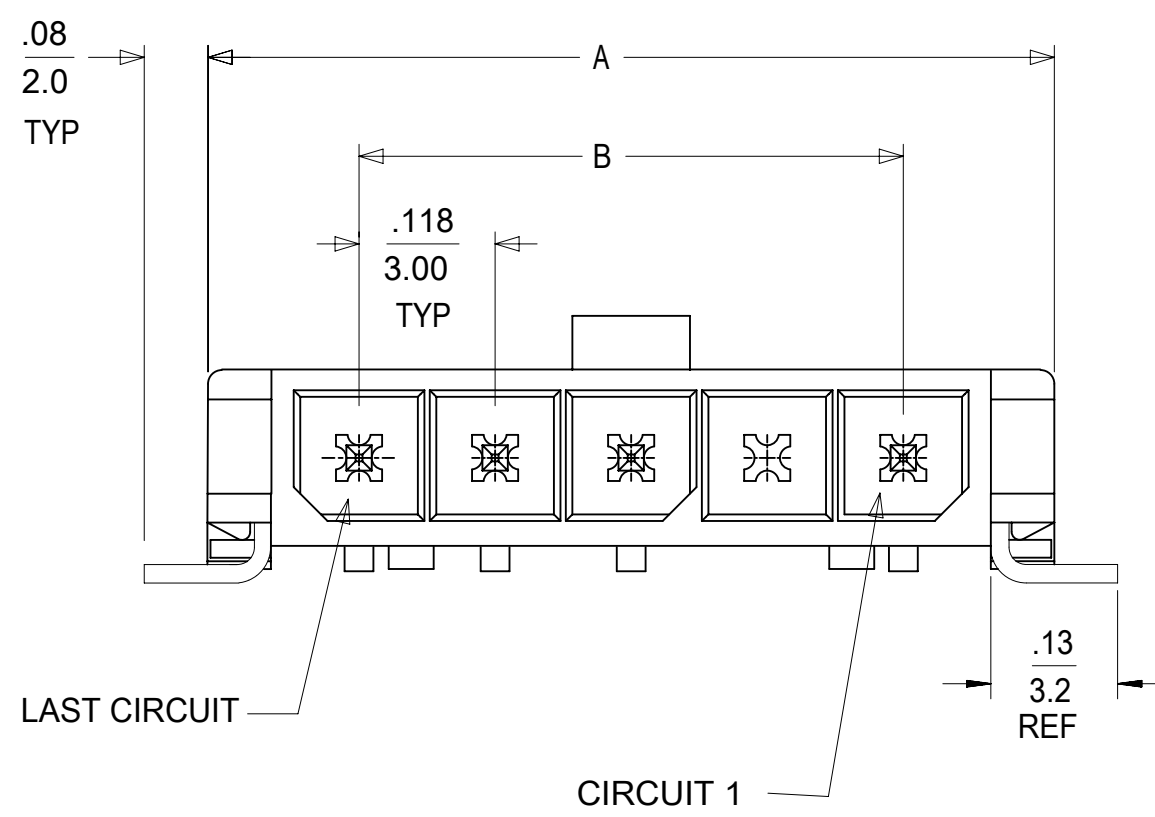
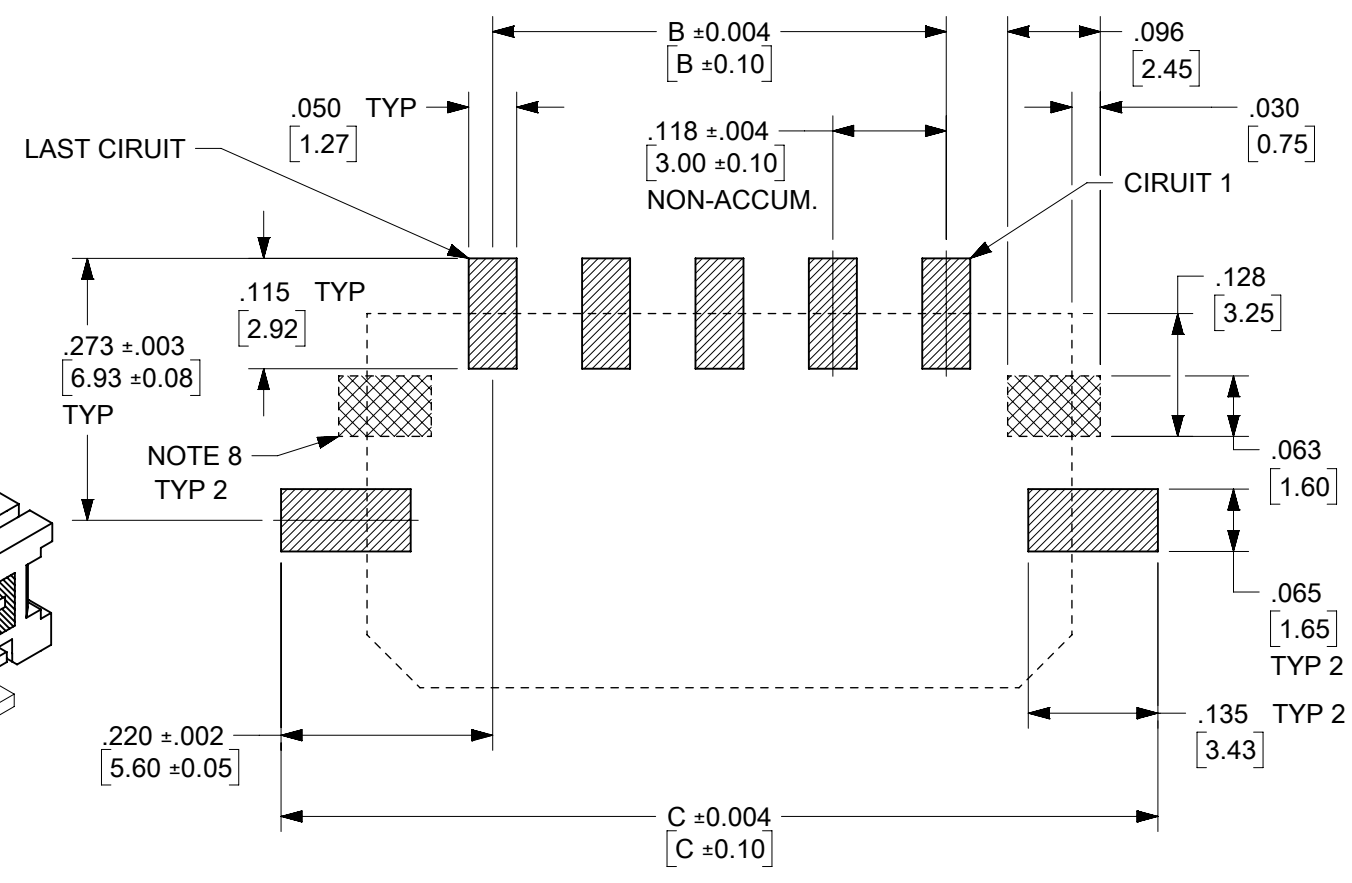
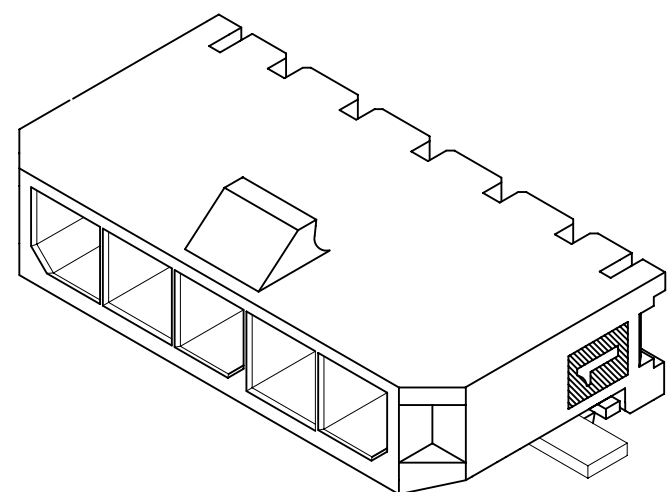
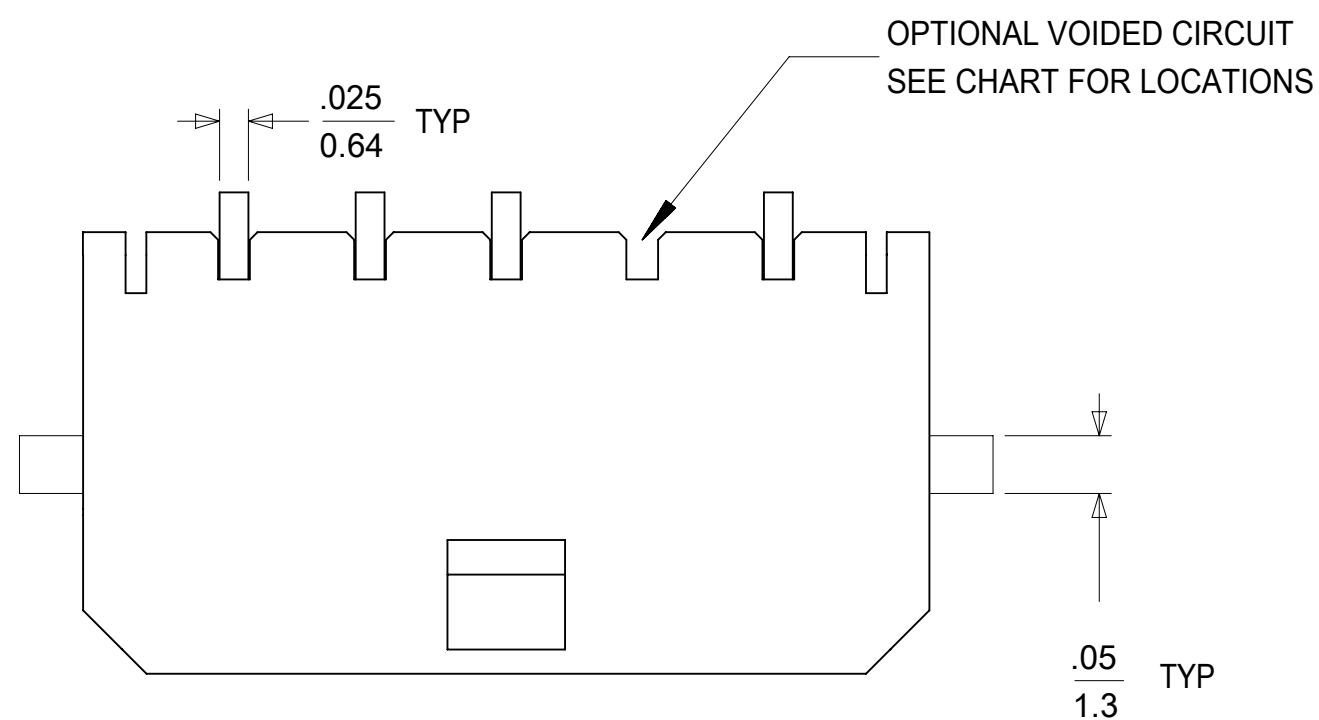
| | |
|--------|--------|
| 最长持续时间 | 30 |
| 无铅 | REFLOW |
| 最大周期 | 3 |
| 最高温度 | 260 |

可配插/可连接使用的产品

可配插部件

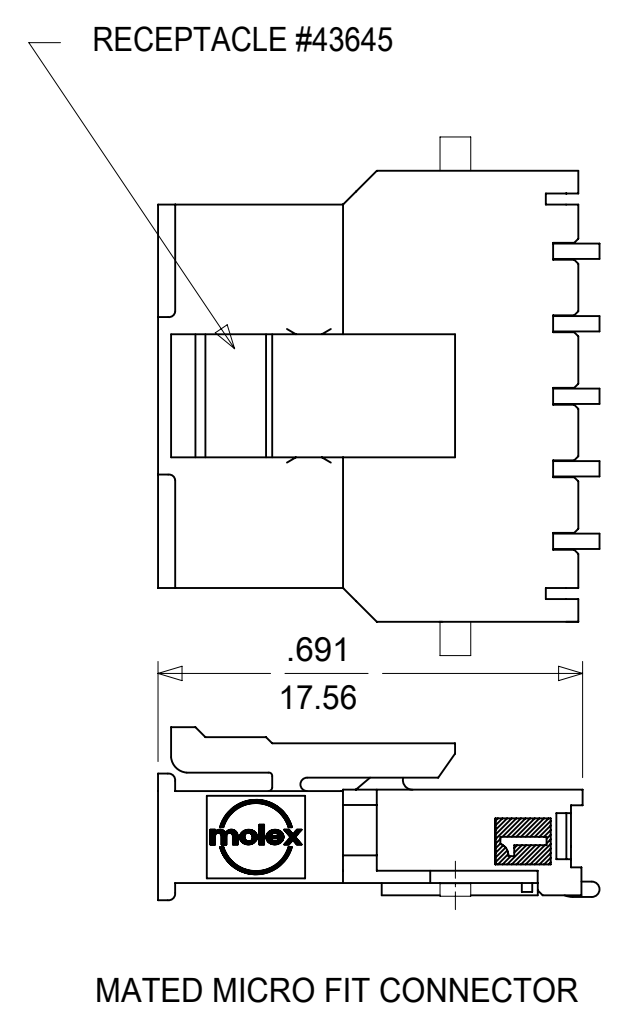
| 描述 | 产品编号 |
|----|------|
|----|------|

| | |
|---|-------------------|
| Micro-Fit 3.0 Female-to-Micro-Fit 3.0 Female Off-the-Shelf (OTS) Cable Assembly, Single Row, 150.00mm Length, Tin (Sn) Plating, 6 Circuits, Black | <u>2147501061</u> |
| Micro-Fit 3.0 Female-to-Micro-Fit 3.0 Female Off-the-Shelf (OTS) Cable Assembly, Single Row, 300.00mm Length, Tin (Sn) Plating, 6 Circuits, Black | <u>2147501062</u> |
| Micro-Fit 3.0 Female-to-Micro-Fit 3.0 Female Off-the-Shelf (OTS) Cable Assembly, Single Row, 600.00mm Length, Tin (Sn) Plating, 6 Circuits, Black | <u>2147501063</u> |
| Micro-Fit 3.0 Female-to-Pigtail Off-the-Shelf (OTS) Cable Assembly, Single Row, 150.00mm Length, Tin (Sn) Plating, 6 Circuits, Black | <u>2147511061</u> |
| Micro-Fit 3.0 Female-to-Pigtail Off-the-Shelf (OTS) Cable Assembly, Single Row, 300.00mm Length, Tin (Sn) Plating, 6 Circuits, Black | <u>2147511062</u> |
| Micro-Fit 3.0 Female-to-Pigtail Off-the-Shelf (OTS) Cable Assembly, Single Row, 600.00mm Length, Tin (Sn) Plating, 6 Circuits, Black | <u>2147511063</u> |
| Micro-Fit 3.0 Single Row Receptacle Housings | <u>43645</u> |
| Micro-Fit TPA Single Row Receptacle Housings | <u>171850</u> |
| Micro-Fit TPA-to-Micro-Fit TPA Off-the-Shelf (OTS) Cable Assemblies | <u>145132</u> |



| CKTS | A | B | C |
|------|----------------|----------------|----------------|
| 2 | .380 9.65 | .118 3.00 | .559 14.20 |
| 3 | .498 12.65 | .236 6.00 | .677 17.20 |
| 4 | .616 15.65 | .354 9.00 | .795 20.20 |
| 5 | .734 18.65 | .472 12.00 | .913 23.20 |
| 6 | .852 21.65 | .591 15.00 | 1.031 26.20 |
| 7 | .970 24.65 | .709 18.00 | 1.150 29.20 |
| 8 | 1.089 27.65 | .827 21.00 | 1.268 32.20 |
| 9 | 1.207 30.65 | .945 24.00 | 1.386 35.20 |
| 10 | 1.325 33.65 | 1.063 27.00 | 1.504 38.20 |
| 11 | 1.443 36.65 | 1.181 30.00 | 1.622 41.20 |
| 12 | 1.561 39.65 | 1.299 33.00 | 1.740 44.20 |

| CKTS | FINISH A | | FINISH B | | FINISH C | |
|------|--------------|----------|--------------|----------|--------------|----------|
| | MATERIAL NO: | VOID CKT | MATERIAL NO: | VOID CKT | MATERIAL NO: | VOID CKT |
| 02 | 43650-0212 | | 43650-0213 | | 43650-0214 | |
| 03 | 43650-0312 | | 43650-0313 | | 43650-0314 | |
| 04 | 43650-0412 | | 43650-0413 | | 43650-0414 | |
| 05 | 43650-0512 | | 43650-0513 | | 43650-0514 | |
| 06 | 43650-0612 | | 43650-0613 | | 43650-0614 | |
| 07 | 43650-0712 | | 43650-0713 | | 43650-0714 | |
| 08 | 43650-0812 | | 43650-0813 | | 43650-0814 | |
| 09 | 43650-0912 | | 43650-0913 | | 43650-0914 | |
| 10 | 43650-1012 | | 43650-1013 | | 43650-1014 | |
| 11 | 43650-1112 | | 43650-1113 | | 43650-1114 | |
| 12 | 43650-1212 | | 43650-1213 | | 43650-1214 | |
| 03 | 43650-1312 | 02 | | | 43650-1314 | 02 |
| 04 | | | 43650-1413 | 02 | | |
| 04 | | | 43650-9413 | 02, 03 | | |



- NOTES:
- HOUSING MATERIAL: LIQUID CRYSTAL POLYMER, GLASS FILLED, UL94V-0, COLOR: BLACK
TERMINAL MATERIAL: BRASS ALLOY
 - FINISH: A = .000060/(0.00152) MIN. REFLOWED MATTE TIN OVER
.000050/(0.00127) MIN. NICKEL
(FINISH IS BRIGHT IN APPEARANCE,
THICKNESS AS APPLIED PRIOR TO REFLOW)
B = .000015/(0.00038) MIN. SELECT GOLD IN CONTACT AREA
.000100/(0.00254) MIN. SELECT MATTE TIN ON SOLDER TAILS
BOTH OVER .000050/(0.00127) NICKEL OVERALL
C = .000030/(0.00076) MIN. SELECT GOLD IN CONTACT AREA
.000100/(0.00254) MIN. SELECT MATTE TIN ON SOLDER TAILS
BOTH OVER .000050/(0.00127) NICKEL OVERALL
 - PRODUCT SPECIFICATION: PS-43650
 - TAPE & REEL PACKAGED PER MOLEX DRAWING 436500001-PK
 - MATES WITH MICRO FIT (3.0) RECEPTACLE SERIES 43645
 - THE COPLANARITY DIMENSION IS ESTABLISHED BY PLACING THE ASSEMBLY ON A FLAT SURFACE. THE DISTANCE FROM THAT SURFACE TO THE BOTTOM OF ANY TERMINAL OR NAIL MUST NOT EXCEED .006/0.15
 - TO AVOID INTERFERENCE BETWEEN RECEPTACLE AND PCB, HEADER MUST BE PLACED WITHIN .400/(10.16) MAX. FROM EDGE OF PCB, AS SHOWN IN LOCATION DETAIL.
 - METAL TAB MAY BE FLUSH WITH PCB. NO EXPOSED TRACES OR VIAS ALLOWED NEAR THESE AREAS.
 - PARTS CONFORM TO CLASS 'B' REQUIREMENTS OF COSMETIC SPECIFICATION PS-45499-002.
 - TEXT ON PART IS FOR REFERENCE ONLY. TEXT AND TEXT LOCATION MAY VARY DEPENDING ON PART NUMBER AND/OR TOOL.

THIS DRAWING CONTAINS INFORMATION THAT IS PROPRIETARY TO MOLEX ELECTRONIC TECHNOLOGIES, LLC AND SHOULD NOT BE USED WITHOUT WRITTEN PERMISSION

FUNCTIONAL DIMENSION SYMBOLS

SCALE: INCH/MM NTS

GENERAL TOLERANCES (UNLESS SPECIFIED)

| | MM | INCH |
|-------------|--------|---------|
| 4 PLACES | ± | ± |
| 3 PLACES | ± | ± 0.01 |
| 2 PLACES | ± 0.25 | ± 0.014 |
| 1 PLACE | ± 0.36 | ± |
| 0 PLACES | ± | ± |
| ANGULAR TOL | ± 0.5° | |

DIVISIONAL SYMBOLS

EC NO: 660406
DRWN: MKIPPER
CHK'D: SSOUSEK
APPR: FSMITH

INITIAL REVISION:
DRWN: SAMIEC
APPR: FSMITH

DATE: 2021/04/08
DATE: 2021/04/08
DATE: 2021/04/09

DATE: 2000/07/07
DATE: 2016/03/18

THIRD ANGLE PROJECTION

DRAWING: C-SIZE
SERIES: 43650

PRODUCT CUSTOMER DRAWING

DOCUMENT NUMBER: SD-43650-005
DOC TYPE: PSD
DOC PART: 001
REVISION: E8

MATERIAL NUMBER: SEE CHART
CUSTOMER: GENERAL MARKET
SHEET NUMBER: 1 OF 1