



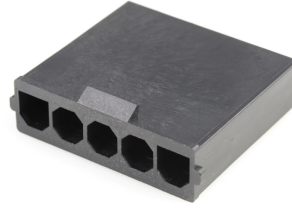
产品编号 : [436802005](#)

Product Description : 7.50mm Pitch Sabre Plug Crimp Housing, UL 94V-0, 5 Circuits, Black, Black

系列号 : 43680

状态 : Active

Product Category : Connector Housings



文件和资源

图纸

[图纸 436802005_sd.pdf](#)

3D 模型和设计文件

[3D模型 436802005_stp.zip](#)

规格

[包装规格 PK-43680-001-001.pdf](#)

[产品规格 PS-44441-9999-001.pdf](#)

[测试摘要 444410000-TS-000.pdf](#)

产物环境合规

合规

GADSL/IMDS	Not Relevant
China RoHS	
EU ELV	Not Relevant
Low-Halogen Status	Low-Halogen per IEC 61249-2-21
REACH SVHC	Not Contained per D(2023)3788-DC (14 Jun 2023)
EU RoHS	Compliant per EU 2015/863

多部分产品合规性声明

- Eu RoHS
- REACH SVHC
- Low-Halogen

多部分行业合规性文件

- IPC 1752A Class C

- IPC 1752A Class D
- Molex Product Compliance Declaration
- IEC-62474
- chemSHERPA (xml)

欧盟 RoHS 合格证书

产品详情

常规

状态	活动
类别	Connector Housings
系列	43680
说明	7.50mm Pitch Sabre Plug Crimp Housing, UL 94V-0, 5 Circuits, Black, Black
应用	Power, Wire-to-Wire
个评论	Positive mating lock and integrated Terminal Position Assurance (TPA) standard.
产品系列	Sabre Power Connector
产品名称	Sabre
UPC	800754366557

机构

CSA	LR19980
UL	E29179

电气

每触点最大电流	18.0A
---------	-------

物理

电路数 (最多)	5
颜色-树脂	黑色
阻燃性	94V-0
性别	Plug
符合灼热丝规范	否
插接极性	是
锁定插接部位	是

材料 - 树脂	Nylon
净重	7.525/g
行数	1
包装形式	Bag
面板安装式	否
间距 - 插配接口	7.50mm
有极性的插配件	是
可堆叠的	否
运行温度范围	-40° to +75° C

进程

无铅	不适用
----	-----

可配插/可连接使用的产品

可配插部件

描述	产品编号
7.50mm Pitch Sabre Receptacle Crimp Housing, UL 94V-0, 5 Circuits, Black	<u>0444412005</u>

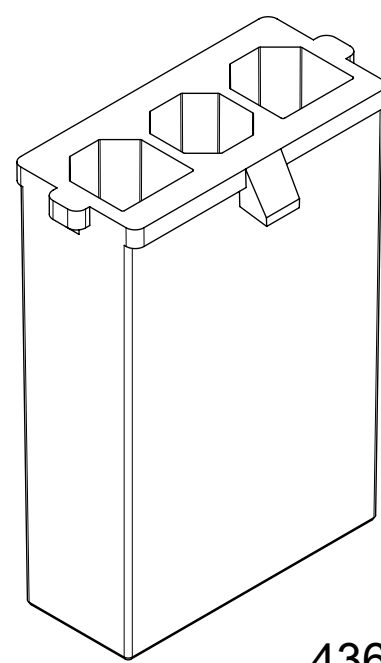
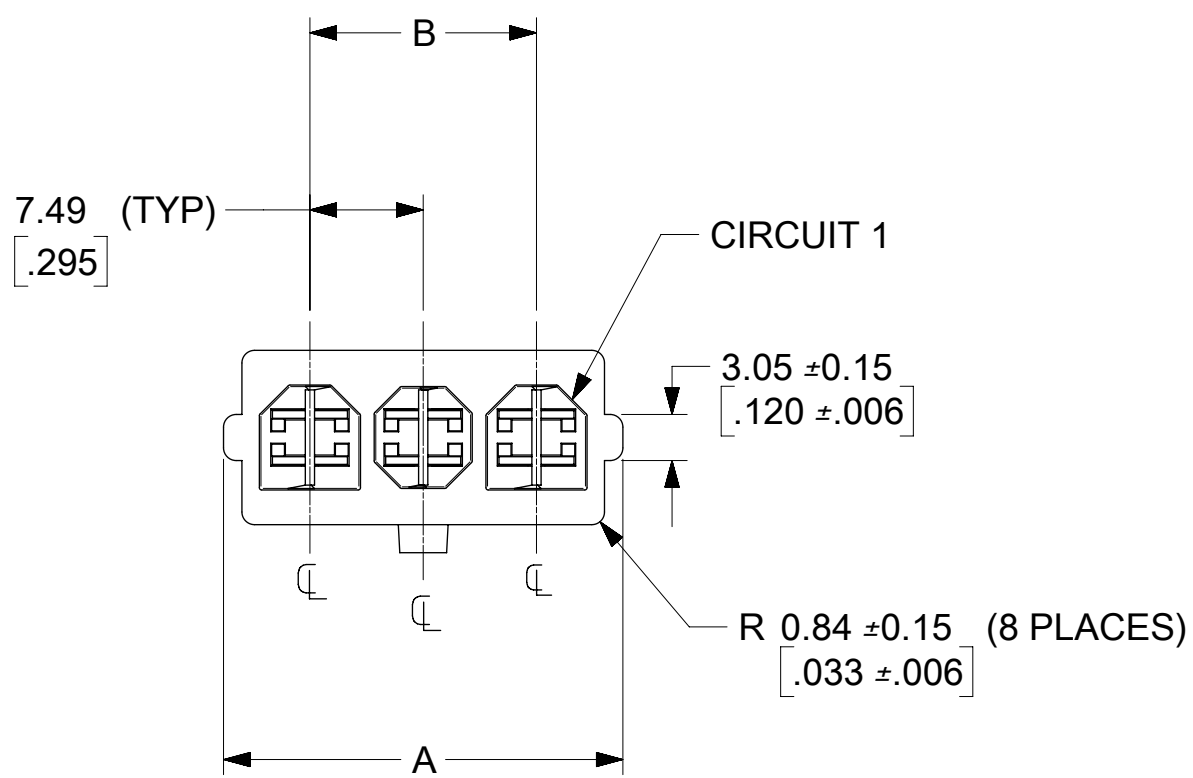
可连接使用部件

描述	产品编号
Sabre Male Crimp Terminals	<u>43178</u>

施工工具

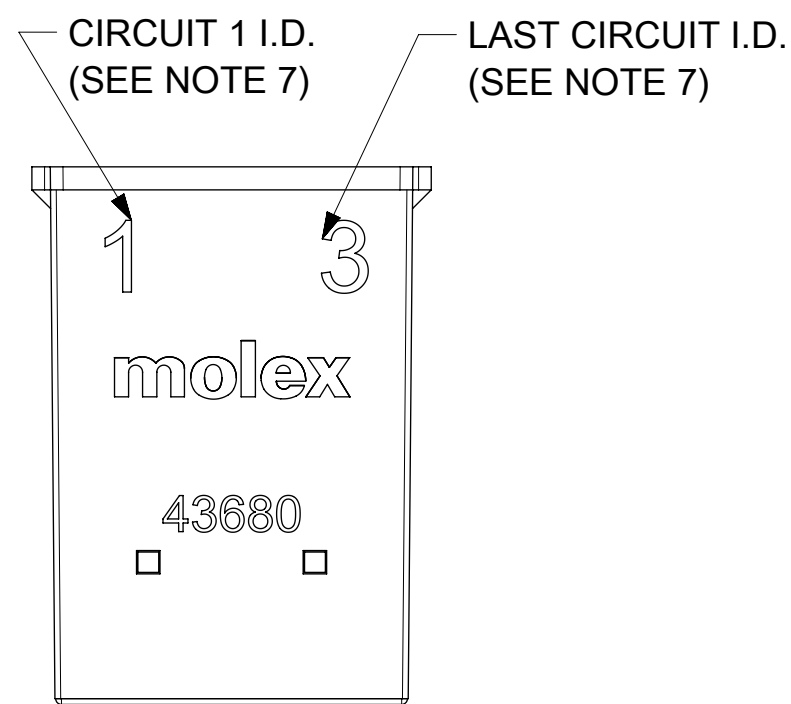
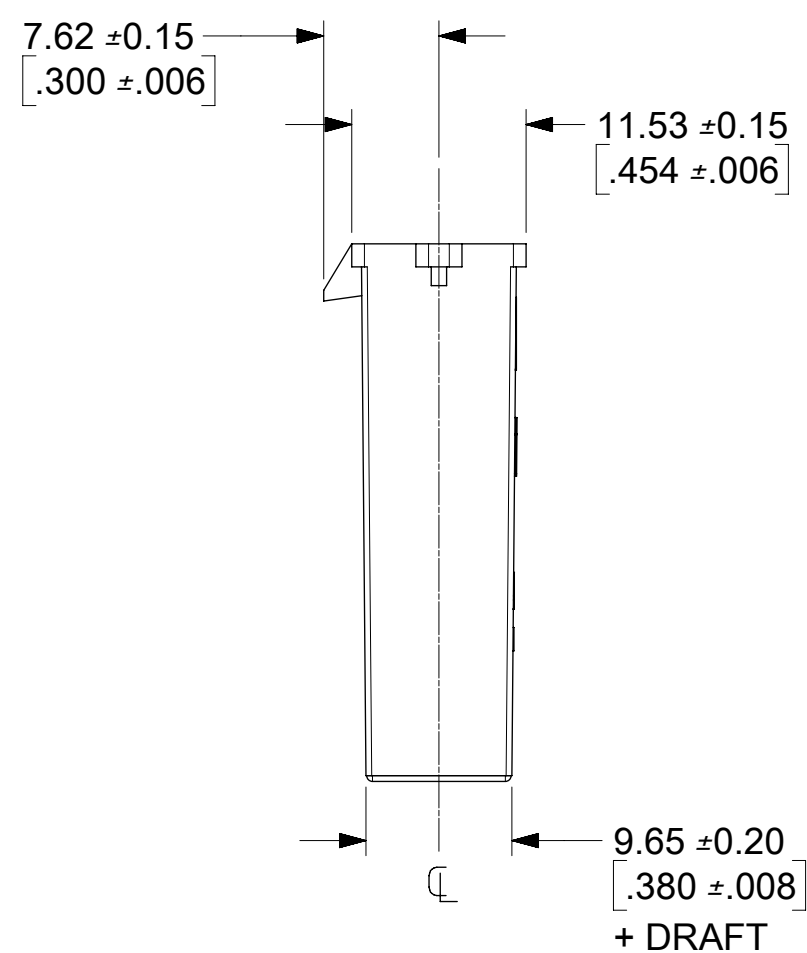
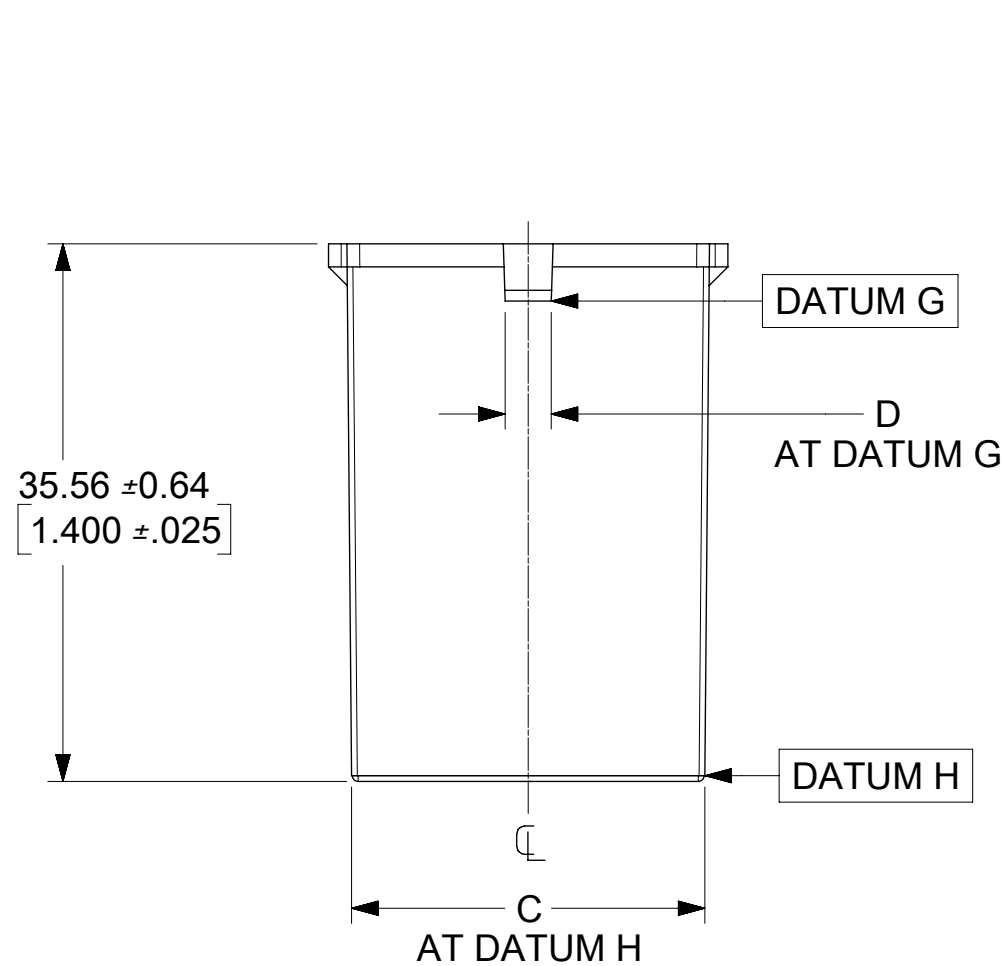
全局

描述	产品编号
Manual Extraction Tool	<u>0638130800</u>



43680-*003

CIRCUITS	DIM. A	DIM. B	DIM. C	DIM D
2	18.92 ± 0.25 .745 ± .010	7.49 ± 0.15 .295 ± .006	15.88 ± 0.15 .625 ± .006	.120 3.05
3	26.42 ± 0.25 1.040 ± .010	14.99 ± 0.15 .590 ± .006	23.37 ± 0.15 .920 ± .006	
4	33.91 ± 0.38 1.335 ± .015	22.48 ± 0.25 .885 ± .010	30.86 ± 0.15 1.215 ± .006	
5	41.40 ± 0.51 1.630 ± .020	29.97 ± 0.38 1.180 ± .015	38.35 ± 0.18 1.510 ± .007	.415 ± .007 10.54 ± 0.18
6	48.90 ± 0.64 1.925 ± .025	37.46 ± 0.38 1.475 ± .015	45.85 ± 0.64 1.805 ± .025	



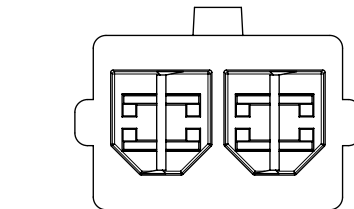
NOTES:

- MATERIAL:
A= PA66, UL94V-2, COLOR: NATURAL (TRANSLUCENT)
B= PA66, UL94V-0, COLOR: BLACK
C= PA, UL94V-2, IEC 60335-1 GLOW WIRE CAPABLE, COLOR: BLACK
- FINISH: NONE
- PRODUCT SPECIFICATION: PS-44441-9999
- PACKAGING INFORMATION: PK-43680-001
- THIS CONNECTOR HOUSING IS FOR USE WITH 43178-**** TERMINALS.
- THIS CONNECTOR HOUSING WILL MATE TO 43335-****, 43179-****, AND 44441-**** HOUSINGS.
- TEXT ON PART IS FOR REFERENCE ONLY. TEXT AND TEXT LOCATION MAY VARY DEPENDING ON PART NUMBER AND/OR TOOL. LAST CIRCUIT ID NOT PRESENT ON 2 CIRCUIT PARTS.
- PARTS CONFORM TO CLASS B REQUIREMENTS OF COSMETIC SPEC PS-45499-002 EXCEPT MATERIAL C PARTS MEET CLASS C REQUIREMENTS FOR FLASH, DISCOLORATION, AND SINK. SOME PARTS MAY HAVE A BLEMISH NEAR THE GATE THAT DOES NOT AFFECT FUNCTIONALITY.
- THIS DRAWING REPLACES 436800002 THROUGH 436800006.

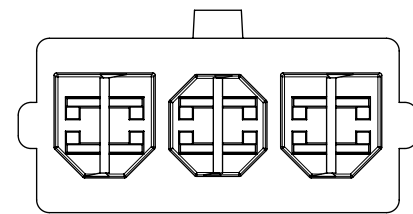
SYMBOLS										THIS DRAWING CONTAINS INFORMATION THAT IS PROPRIETARY TO MOLEX ELECTRONIC TECHNOLOGIES, LLC AND SHOULD NOT BE USED WITHOUT WRITTEN PERMISSION									
DIMENSION UNITS					SCALE					CURRENT REV/DESC: UPDATE VIEWS									
MM/IN					2:1					<p>molex</p> <p>SABRE TPA PLUG HOUSING 3.18 (.125) X 1.51 (.020)</p> <p>PRODUCT CUSTOMER DRAWING</p> <p>DOCUMENT NUMBER: 436800000-SD DOC TYPE: PSD DOC PART: 000 REVISION: A1</p> <p>MATERIAL NUMBER: SEE CHART CUSTOMER: GENERAL MARKET SHEET NUMBER: 1 OF 2</p>									
GENERAL TOLERANCES (UNLESS SPECIFIED)																			
4 PLACES ±					MM					INCH					EC NO: 173976				
3 PLACES ±					± 0.01					± 0.014					DRWN: MKIPPER 2017/11/30				
2 PLACES ±					± 0.25					±					CHK'D: JBELL 2018/03/22				
1 PLACE ±					± 0.36					±					APPR: FSMITH 2018/04/04				
0 PLACES ±					±					±					INITIAL REVISION:				
ANGULAR TOL ± °					± °					± °					DRWN: MKIPPER 2017/10/06				
DRAFT WHERE APPLICABLE MUST REMAIN WITHIN DIMENSIONS					THIRD ANGLE PROJECTION					DRAWING					SERIES				
					C-SIZE					43680									

POLARIZATION LAYOUT

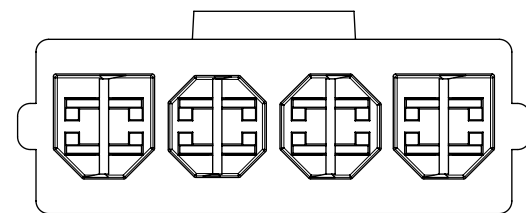
2 CIRCUIT



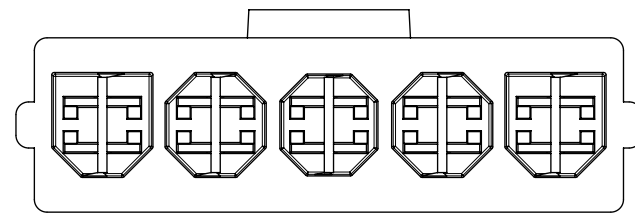
3 CIRCUIT



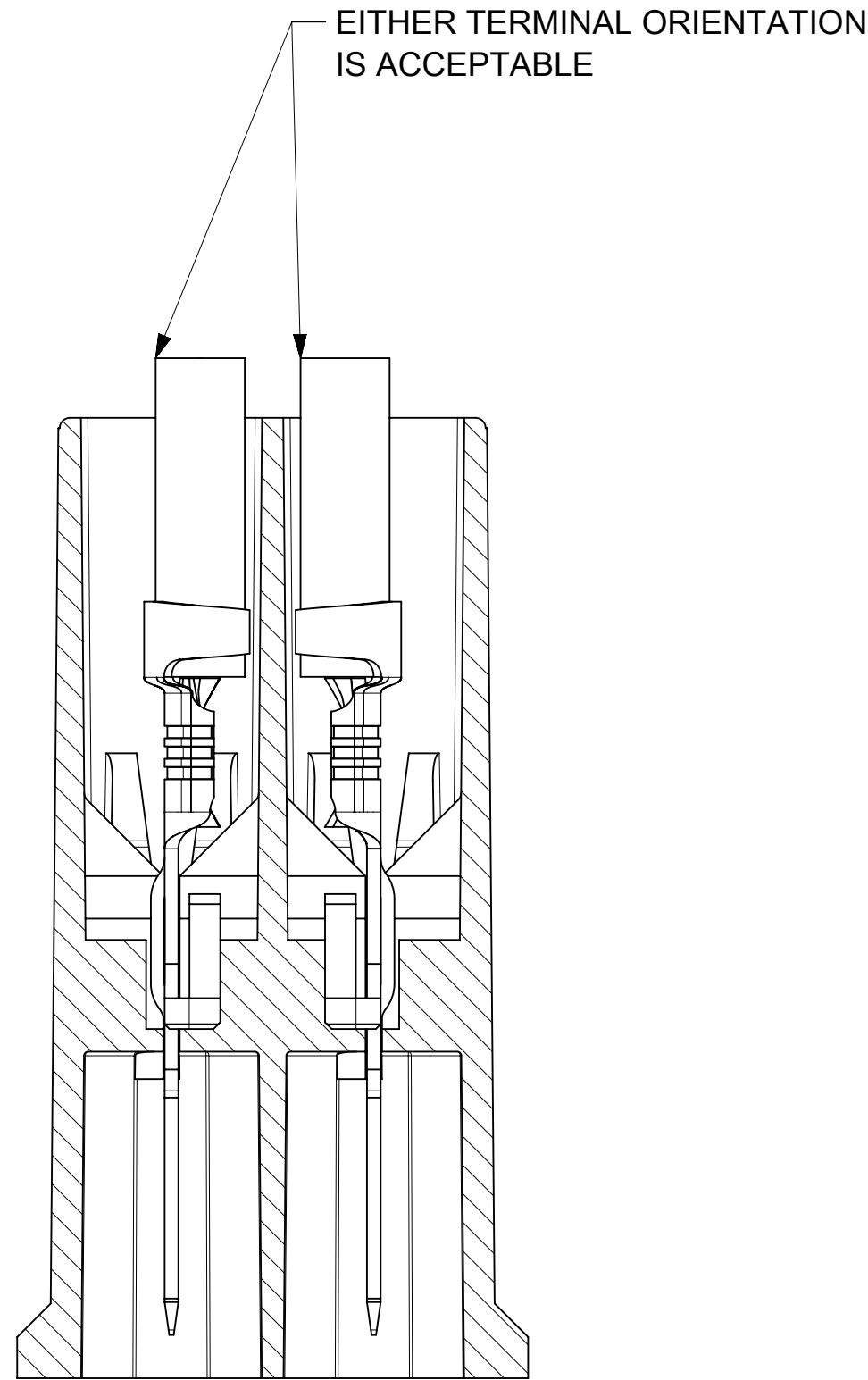
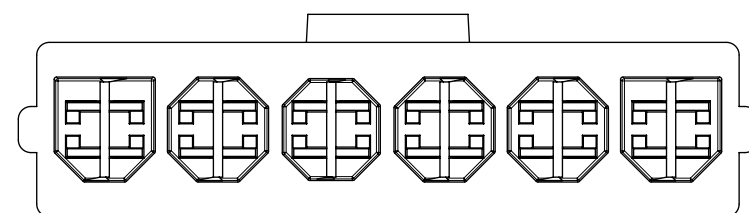
4 CIRCUIT



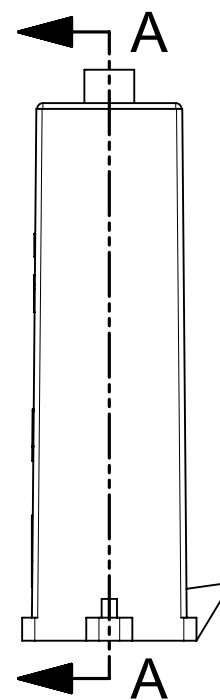
5 CIRCUIT



6 CIRCUIT



SECTION A-A
SCALE 4:1



SABRE 43680 SERIES

ITEM NUMBER	CIRCUITS	MATERIAL	COLOR
43680-2002	2	B	BLACK
43680-1002		A	NATURAL (TRANSLUCENT)
43680-3002		C	BLACK
43680-2003	3	B	BLACK
43680-1003		A	NATURAL (TRANSLUCENT)
43680-3003		C	BLACK
43680-2004	4	B	BLACK
43680-1004		A	NATURAL (TRANSLUCENT)
43680-3004		C	BLACK
43680-2005	5	B	BLACK
43680-1005		A	NATURAL (TRANSLUCENT)
43680-3005		C	BLACK
43680-2006	6	B	BLACK
43680-1006		A	NATURAL (TRANSLUCENT)
43680-3006		C	BLACK

SYMBOLS DIMENSION UNITS: MM/IN SCALE: 2:1 GENERAL TOLERANCES (UNLESS SPECIFIED) 4 PLACES: ± 0.25 ± 0.014 3 PLACES: ± 0.25 ± 0.014 2 PLACES: ± 0.25 ± 0.014 1 PLACE: ± 0.36 ± 0 PLACES: ± ANGULAR TOL: ± ° DRAFT WHERE APPLICABLE MUST REMAIN WITHIN DIMENSIONS THIRD ANGLE PROJECTION DRAWING: C-SIZE SERIES: 43680	THIS DRAWING CONTAINS INFORMATION THAT IS PROPRIETARY TO MOLEX ELECTRONIC TECHNOLOGIES, LLC AND SHOULD NOT BE USED WITHOUT WRITTEN PERMISSION CURRENT REV DESC: UPDATE VIEWS EC NO: 173976 DRWN: MKIPPER 2017/11/30 CHK'D: JBELL 2018/03/22 APPR: FSMITH 2018/04/04 INITIAL REVISION: DRWN: MKIPPER 2017/10/06 APPR: FSMITH 2017/10/27		 SABRE TPA PLUG HOUSING 3.18 (.125) X 1.51 (.020) PRODUCT CUSTOMER DRAWING	
	DOCUMENT NUMBER: 436800000-SD DOC TYPE: PSD DOC PART: 000 REVISION: A1 MATERIAL NUMBER: SEE CHART CUSTOMER: GENERAL MARKET SHEET NUMBER: 2 OF 2			