



产品编号 : 436801003

Product Description : 7.50mm Pitch Sabre Plug Crimp Housing, UL 94V-2, 3 Circuits, Natural

系列号 : 43680

状态 : Active

Product Category : Connector Housings

文件和资源

图纸

图纸 436801003_sd.pdf

3D 模型和设计文件

3D模型 436801003_stp.zip

规格


包装规格 PK-43680-001-001.pdf

产品规格 PS-44441-9999-001.pdf

测试摘要 444410000-TS-000.pdf

产物环境合规

合规

GADSL/IMDS	Not Relevant
China RoHS	
EU ELV	Not Relevant
Low-Halogen Status	Low-Halogen per IEC 61249-2-21
REACH SVHC	Not Contained per D(2023)8585-DC (23 Jan 2024)
EU RoHS	Compliant per EU 2015/863

多部分产品合规性声明

- Eu RoHS
- REACH SVHC
- Low-Halogen

- IPC 1752A Class C
- IPC 1752A Class D
- Molex Product Compliance Declaration
- IEC-62474

产品详情

常规

状态	活动
类别	Connector Housings
系列	43680
说明	7.50mm Pitch Sabre Plug Crimp Housing, UL 94V-2, 3 Circuits, Natural
应用	Power, Wire-to-Wire
个评论	Positive mating lock and integrated Terminal Position Assurance (TPA) standard.
产品系列	Sabre Power Connector
产品名称	Sabre
UPC	822348670536

机构

CSA	LR19980
UL	E29179

物理

电路数 (最多)	3
颜色-树脂	Natural
阻燃性	94V-2
性别	Plug
符合灼热丝规范	否
插接极性	是
锁定插接部位	是
材料 - 树脂	Nylon
净重	4.595/g
行数	1
包装形式	Bag
面板安装式	否

间距 - 插配接口	7.50mm
有极性的插配件	是
可堆叠的	否
运行温度范围	-40° to +75° C

进程

无铅	不适用
----	-----

可配插/可连接使用的产品

可配插部件

描述	产品编号
7.50mm Pitch Sabre Receptacle Crimp Housing, UL 94V-2, 3 Circuits, Natural	<u>444411003</u>

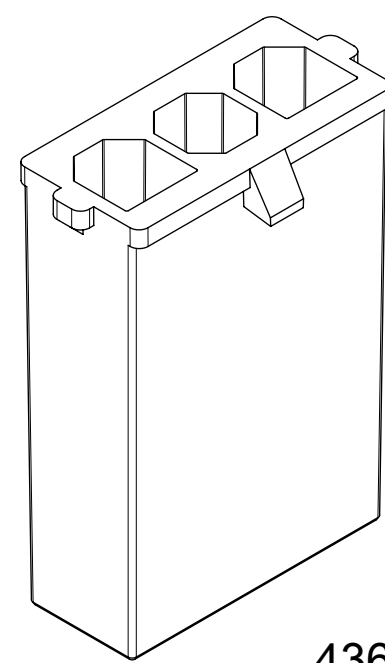
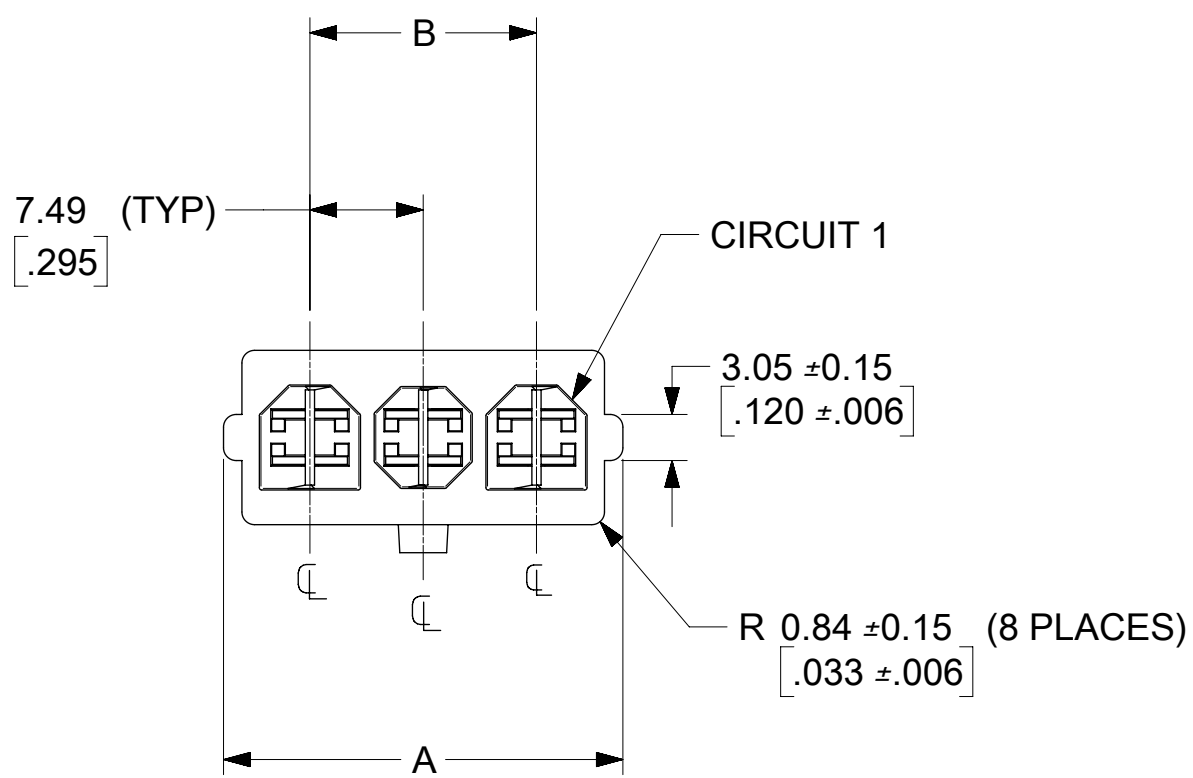
可连接使用部件

描述	产品编号
Sabre Male Crimp Terminals	<u>43178</u>

施工工具

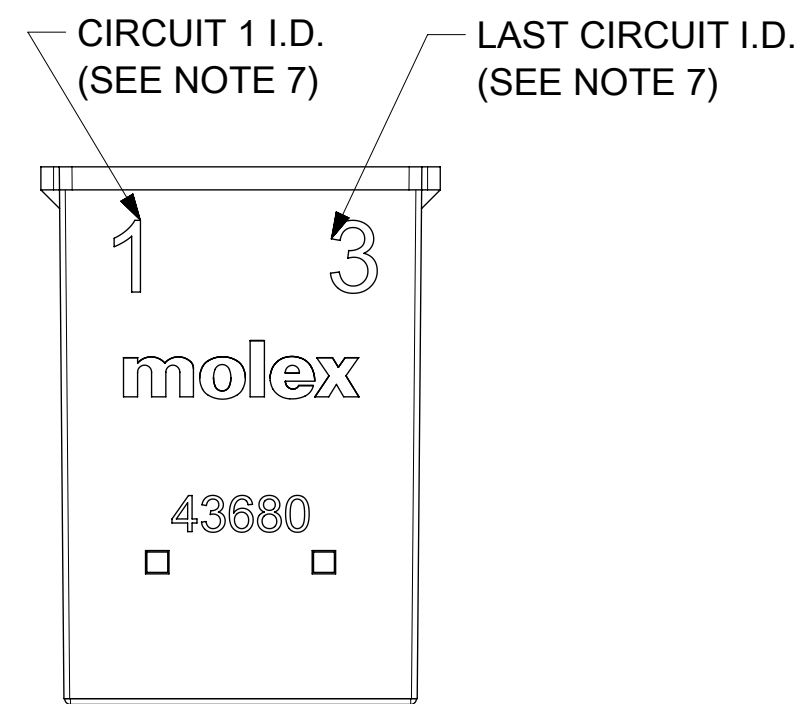
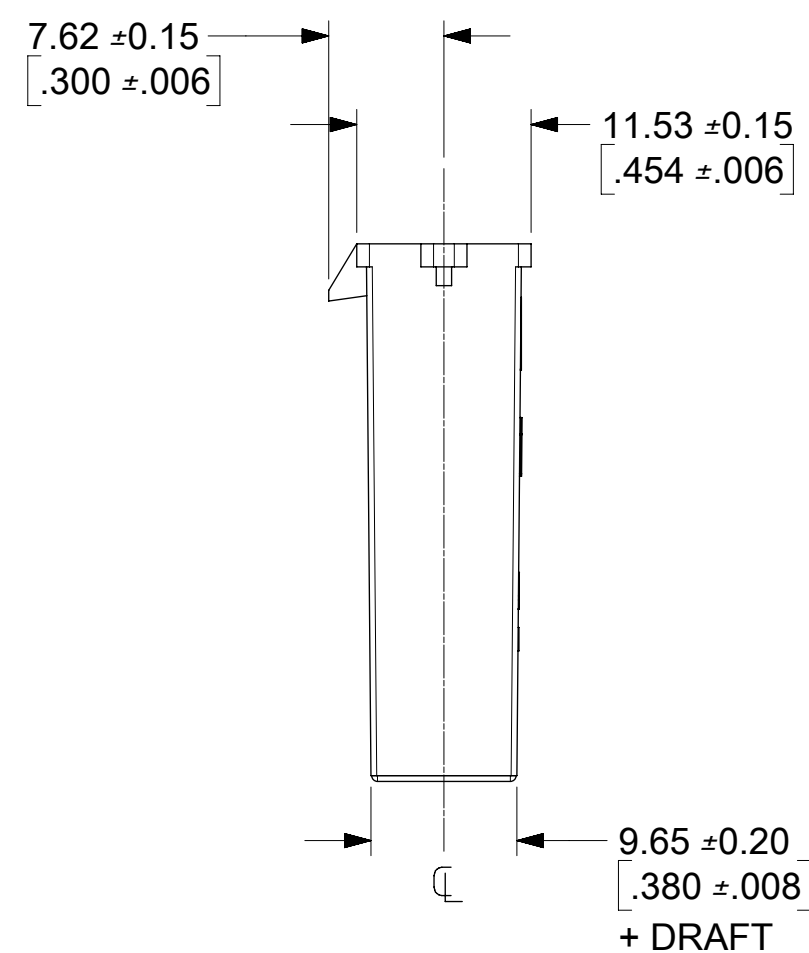
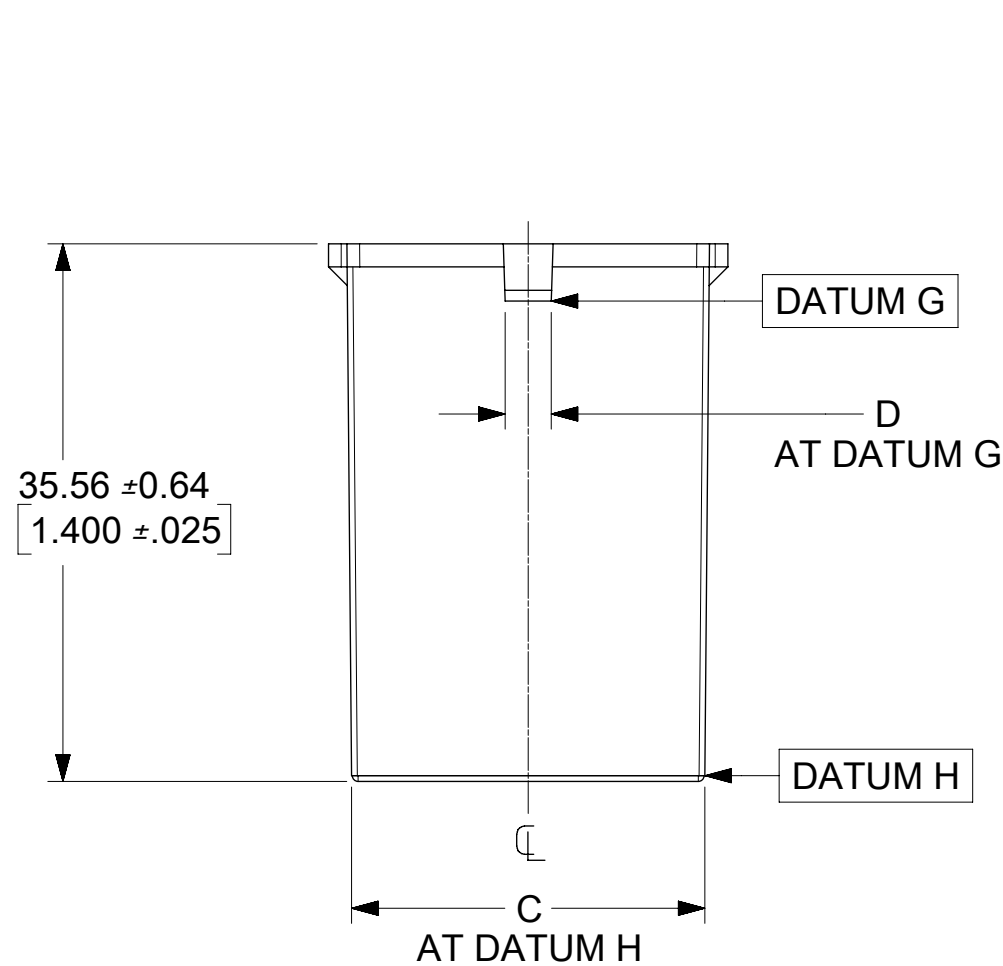
全局

描述	产品编号
Manual Extraction Tool	<u>638130800</u>



43680-*003

CIRCUITS	DIM. A	DIM. B	DIM. C	DIM D
2	18.92 ± 0.25 .745 ± 0.010	7.49 ± 0.15 .295 ± 0.006	15.88 ± 0.15 .625 ± 0.006	.120 3.05
3	26.42 ± 0.25 1.040 ± 0.010	14.99 ± 0.15 .590 ± 0.006	23.37 ± 0.15 .920 ± 0.006	
4	33.91 ± 0.38 1.335 ± 0.015	22.48 ± 0.25 .885 ± 0.010	30.86 ± 0.15 1.215 ± 0.006	
5	41.40 ± 0.51 1.630 ± 0.020	29.97 ± 0.38 1.180 ± 0.015	38.35 ± 0.18 1.510 ± 0.007	.415 ± 0.007 10.54 ± 0.18
6	48.90 ± 0.64 1.925 ± 0.025	37.46 ± 0.38 1.475 ± 0.015	45.85 ± 0.64 1.805 ± 0.025	



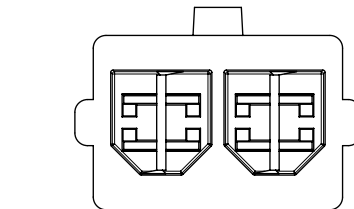
NOTES:

- MATERIAL:
A= PA66, UL94V-2, COLOR: NATURAL (TRANSLUCENT)
B= PA66, UL94V-0, COLOR: BLACK
C= PA, UL94V-2, IEC 60335-1 GLOW WIRE CAPABLE, COLOR: BLACK
- FINISH: NONE
- PRODUCT SPECIFICATION: PS-44441-9999
- PACKAGING INFORMATION: PK-43680-001
- THIS CONNECTOR HOUSING IS FOR USE WITH 43178-**** TERMINALS.
- THIS CONNECTOR HOUSING WILL MATE TO 43335-****, 43179-****, AND 44441-**** HOUSINGS.
- TEXT ON PART IS FOR REFERENCE ONLY. TEXT AND TEXT LOCATION MAY VARY DEPENDING ON PART NUMBER AND/OR TOOL. LAST CIRCUIT ID NOT PRESENT ON 2 CIRCUIT PARTS.
- PARTS CONFORM TO CLASS B REQUIREMENTS OF COSMETIC SPEC PS-45499-002 EXCEPT MATERIAL C PARTS MEET CLASS C REQUIREMENTS FOR FLASH, DISCOLORATION, AND SINK. SOME PARTS MAY HAVE A BLEMISH NEAR THE GATE THAT DOES NOT AFFECT FUNCTIONALITY.
- THIS DRAWING REPLACES 436800002 THROUGH 436800006.

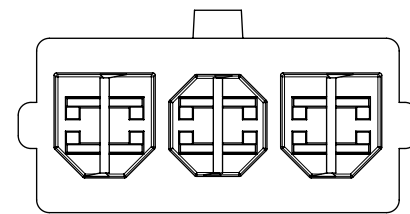
SYMBOLS										THIS DRAWING CONTAINS INFORMATION THAT IS PROPRIETARY TO MOLEX ELECTRONIC TECHNOLOGIES, LLC AND SHOULD NOT BE USED WITHOUT WRITTEN PERMISSION									
DIMENSION UNITS					SCALE					CURRENT REV / DESC: UPDATE VIEWS									
MM/IN					2:1					<p>molex</p> <p>SABRE TPA PLUG HOUSING 3.18 (.125) X 1.51 (.020)</p> <p>PRODUCT CUSTOMER DRAWING</p> <p>DOCUMENT NUMBER: 436800000-SD DOC TYPE: PSD DOC PART: 000 REVISION: A1</p> <p>MATERIAL NUMBER: SEE CHART CUSTOMER: GENERAL MARKET SHEET NUMBER: 1 OF 2</p>									
GENERAL TOLERANCES (UNLESS SPECIFIED)																			
▽ = 0	▽ = 0	▽ = 0	▽ = 0	▽ = 0	▽ = 0	▽ = 0	▽ = 0	▽ = 0	▽ = 0	EC NO: 173976	DRWN: MKIPPER	2017/11/30	CHK'D: JBELL	2018/03/22	APPR: FSMITH	2018/04/04			
4 PLACES ±	3 PLACES ±	2 PLACES ±	1 PLACE ±	0 PLACES ±	ANGULAR TOL ± °	DRAFT WHERE APPLICABLE MUST REMAIN WITHIN DIMENSIONS				INITIAL REVISION:		DRWN: MKIPPER	2017/10/06	APPR: FSMITH	2017/10/27	THIRD ANGLE PROJECTION			
DRAWING					SERIES					C-SIZE					43680				

POLARIZATION LAYOUT

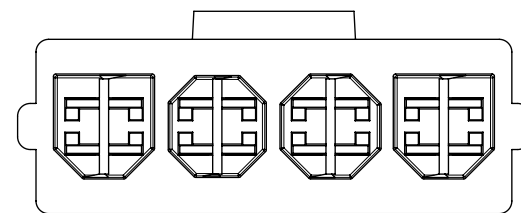
2 CIRCUIT



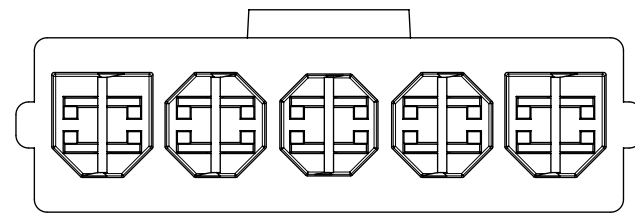
3 CIRCUIT



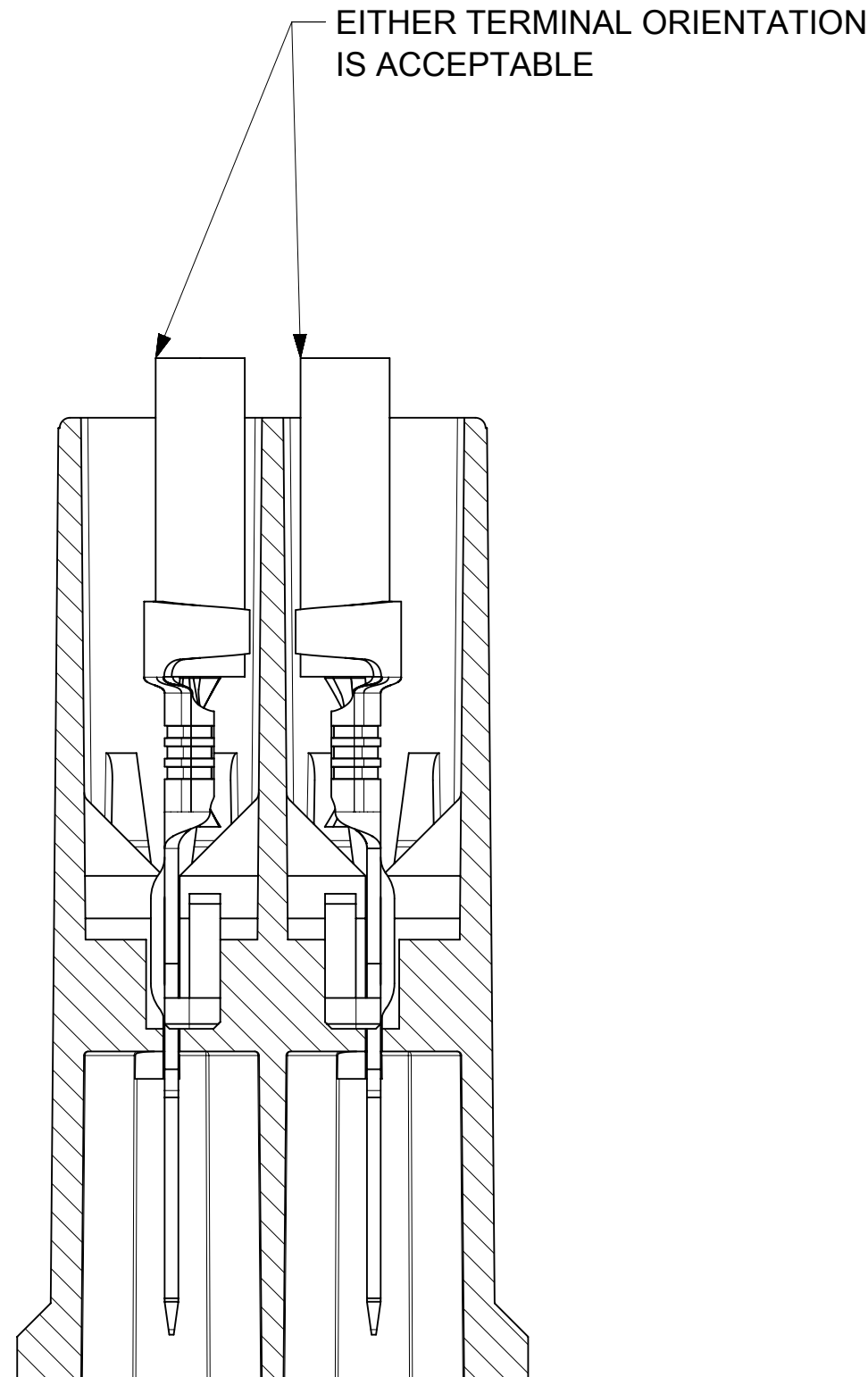
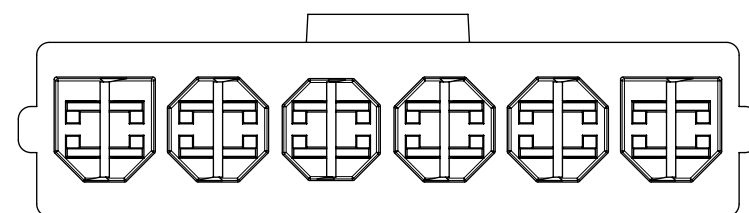
4 CIRCUIT



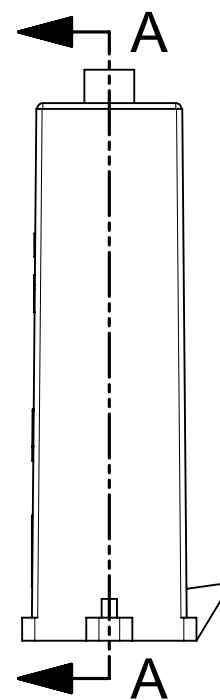
5 CIRCUIT



6 CIRCUIT



SECTION A-A
SCALE 4:1



SABRE 43680 SERIES

ITEM NUMBER	CIRCUITS	MATERIAL	COLOR
43680-2002	2	B	BLACK
43680-1002		A	NATURAL (TRANSLUCENT)
43680-3002		C	BLACK
43680-2003	3	B	BLACK
43680-1003		A	NATURAL (TRANSLUCENT)
43680-3003		C	BLACK
43680-2004	4	B	BLACK
43680-1004		A	NATURAL (TRANSLUCENT)
43680-3004		C	BLACK
43680-2005	5	B	BLACK
43680-1005		A	NATURAL (TRANSLUCENT)
43680-3005		C	BLACK
43680-2006	6	B	BLACK
43680-1006		A	NATURAL (TRANSLUCENT)
43680-3006		C	BLACK

SYMBOLS DIMENSION UNITS: MM/IN SCALE: 2:1 GENERAL TOLERANCES (UNLESS SPECIFIED): 4 PLACES: ± 0.25 ± 0.014 3 PLACES: ± 0.25 ± 0.014 2 PLACES: ± 0.25 ± 0.014 1 PLACE: ± 0.36 ± 0 PLACES: ± ANGULAR TOL: ± ° DRAFT WHERE APPLICABLE MUST REMAIN WITHIN DIMENSIONS THIRD ANGLE PROJECTION DRAWING SERIES: C-SIZE 43680	THIS DRAWING CONTAINS INFORMATION THAT IS PROPRIETARY TO MOLEX ELECTRONIC TECHNOLOGIES, LLC AND SHOULD NOT BE USED WITHOUT WRITTEN PERMISSION CURRENT REV DESC: UPDATE VIEWS EC NO: 173976 DRWN: MKIPPER 2017/11/30 CHK'D: JBELL 2018/03/22 APPR: FSMITH 2018/04/04 INITIAL REVISION: DRWN: MKIPPER 2017/10/06 APPR: FSMITH 2017/10/27		molex SABRE TPA PLUG HOUSING 3.18 (.125) X 1.51 (.020) PRODUCT CUSTOMER DRAWING	
	DOCUMENT NUMBER: 436800000-SD DOC TYPE: PSD DOC PART: 000 REVISION: A1 MATERIAL NUMBER: SEE CHART CUSTOMER: GENERAL MARKET SHEET NUMBER: 2 OF 2			