

产品编号 : 437436001

系列号 : 43743

Product Category : Modular Jacks and Plugs

Product Description : Modular Jack, Right-Angle, Low Profile, Surface Mount, 6/6

状态 : Active

---

## 文件和资源

### 图纸

图纸 437436001\_sd.pdf  
PK-70873-700+-001.pdf

### 3D 模型和设计文件

3D模型 437436001\_stp.zip


### 规格

产品规格 PS-43743-0001-001.pdf

---

## 产物环境合规

### 合规

GADSL/IMDS	Compliant with Exemption 44; 34; 33
China RoHS	
EU ELV	Not Relevant
Low-Halogen Status	Not Low-Halogen per IEC 61249-2-21
REACH SVHC	Not Contained per D(2023)8585-DC (23 Jan 2024)
EU RoHS	Compliant per EU 2015/863

### 多部分产品合规性声明

- Eu RoHS
- REACH SVHC
- Low-Halogen
  
- IPC 1752A Class C
- IPC 1752A Class D
- Molex Product Compliance Declaration
- IEC-62474
- chemSHERPA (xml)

## 产品详情

### 常规

状态	活动
类别	Modular Jacks and Plugs
系列	43743
说明	Modular Jack, Right-Angle, Low Profile, Surface Mount, 6/6
个评论	Outboard Solder Tabs
元件类型	PCB Jack
磁性的	否
性能分类	3
以太网电源 (PoE)	不适用
产品系列	Magnetic and Modular Jacks/Plugs
产品名称	Modular Jack 6/6
UPC	800753236431

### 机构

CSA	LR19980
UL	E107635

### 电气

每触点最大电流	1.5A
屏蔽	否
电压 - 最大	125V

### 物理

颜色-树脂	黑色
耐用性(插拔次数) - 最多次数	500
阻燃性	94V-0
向下 / 向上锁闩	否
插孔高度	11.74mm
光管/发光二极管	无
材料 - 金属	Phosphor Bronze

材料 - 接合部位电镀	金牌
材料 - 终端电镀	Tin
材料 - 树脂	High Temperature Thermoplastic
净重	2.430/g
方向	Right Angle (Side Entry)
包装形式	Embossed Tape on Reel
PCB 保持力	是
间距 - 插配接口	1.02mm
间距 - 终端界面	1.27mm
最薄镀层 - 接合部位	1.270µm
最薄镀层 - 端接	2.540µm
端口配置	1x1
位置/插入的接头	6/6
运行温度范围	-40° to +80° C
终端界面类型	Surface Mount
导线/电缆型号	不适用

## 进程

最长持续时间	30
无铅	REFLOW
最大周期	1
最高温度	235

---

## 可配插/可连接使用的产品

### 可配插部件

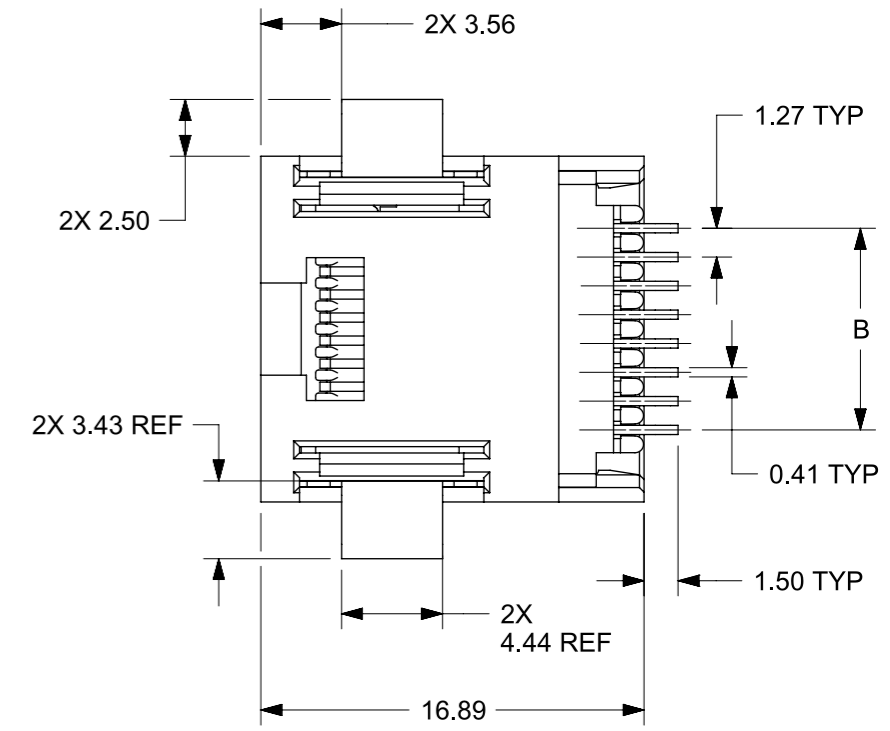
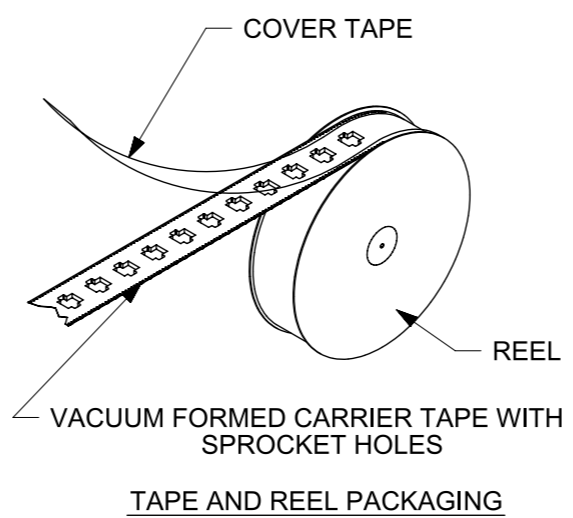
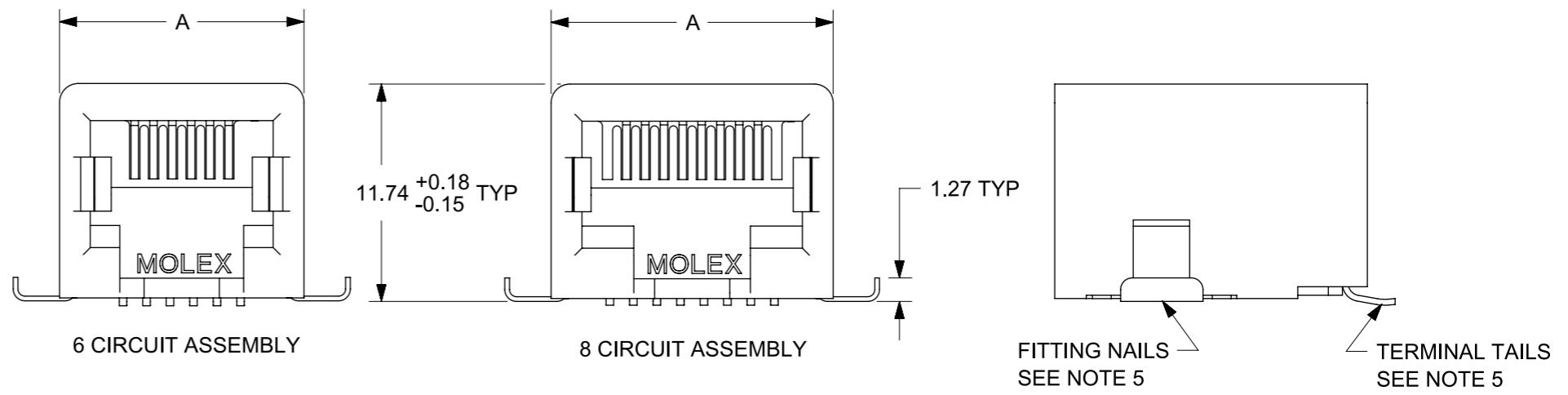
描述	产品编号
配插使用	FCC 68 Plugs

---

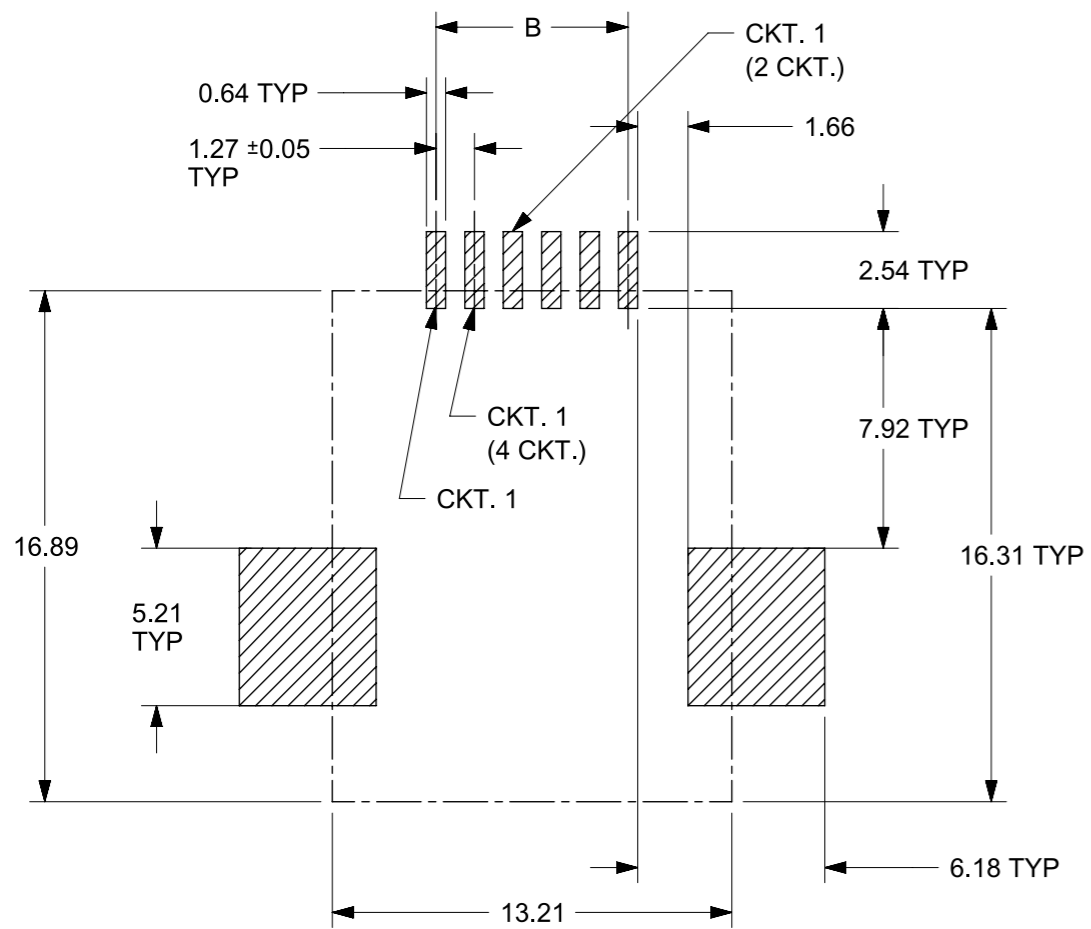
HOUSING SIZE	CIRCUIT SIZE	DIM. A	DIM. B
6	6	13.21	6.35
6	4	13.21	3.81
6	2	13.21	1.27
8	8	15.24	8.89
8	6	15.24	6.35

"X"=NOT TOOLED	ASSEMBLY ITEM NO.	CONNECTOR SIZE	CIRCUIT SIZE	TERMINAL PLATING	TAPE & REEL PACKAGING No.	VOIDED CIRCUITS
	43743-6001	6	6	A	PK-70873-7001	NA
X	43743-6002	6	6	B		
X	43743-6003	6	6	C		
X	43743-6102	6	4	B		
X	43743-6103	6	4	C	PK-70873-7001	
	43743-8101	8	8	A	PK-70873-7002	
X	43743-8102	8	8	B		
X	43743-8103	8	8	C		
X	43743-8201	8	6	A		
X	43743-8202	8	6	B		
X	43743-8203	8	6	C		
X	43743-8301	8	4	A		
X	43743-8302	8	4	B		
X	43743-8303	8	4	C	PK-70873-7002	
	43743-6201	6	2	A	PK-70873-7001	
X	43743-6202	6	2	B	PK-70873-7001	
X	43743-6203	6	2	C	PK-70873-7001	NA

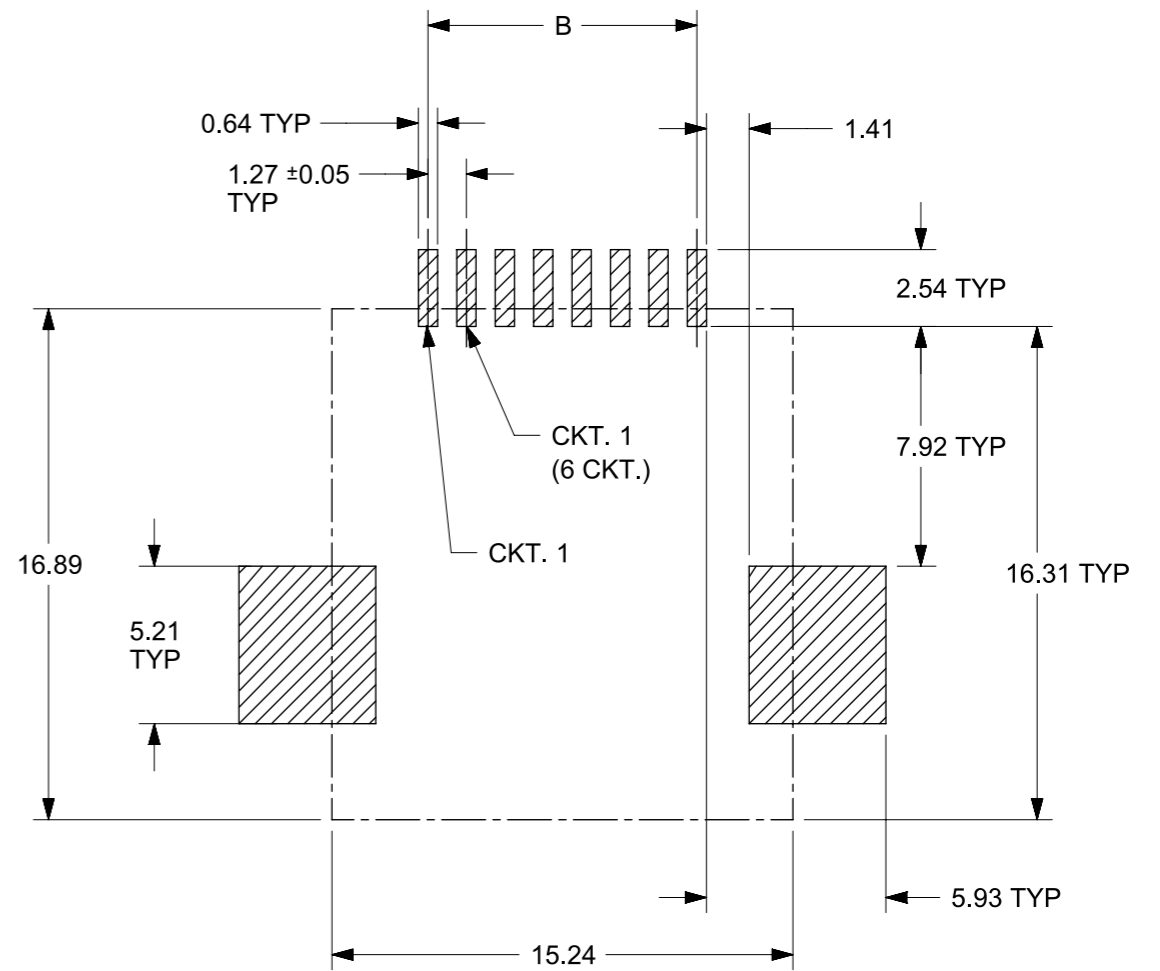
- NOTES:
- MATERIAL:  
HOUSING & INSULATOR: NYLON(PA), GLASS FILLED, UL94V-0, COLOR: BLACK  
TERMINALS: PHOSPHOR BRONZE, 0.30 mm THICK  
FITTING NAILS: BRASS, 0.25 mm THICK
  - FINISH:  
TERMINALS:  
A = SELECT GOLD IN CONTACT AREA: 0.00127 mm MIN.,  
\*SELECT MATTE TIN IN PC TAIL AREA: 0.00254 mm MIN.,  
WITH OVERALL NICKEL UNDERPLATE: 0.00127 mm MIN.,  
B = SELECT GOLD IN CONTACT AREA: 0.00076mm MIN.,  
\*SELECT MATTE TIN IN PC TAIL AREA: 0.00254 mm MN.,  
WITH OVERALL NICKEL UNDERPLATE: 0.00127 mm MIN.,  
C = SELECT GOLD IN CONTACT AREA: 0.00038 mm MIN.,  
\*SELECT MATTE TIN IN PC TAIL AREA: 0.00254 mm MIN.,  
WITH OVERALL NICKEL UNDERPLATE: 0.00127 mm MIN..  
FITTING NAILS:  
\*2.54 MICROMETER MATTE TIN OVER 1.27 MICROMETER NICKEL UNDERPLATE  
\*THE PRIMARY SHIPPING CARTON WILL BE LABELED "COMPLIANT TO RoHS DIRECTIVE 2002/95/EC AND ELV ANNEX II OF DIRECTIVE 2000/53/EC".  
CARTONS WITHOUT THIS LABEL MAY CONTAIN PRODUCT WITH TIN-LEAD IN THE PC TAILS AND/OR FITTING NAILS.
  - PRODUCT SPECIFICATION AND PROCESSING PARAMETERS: PS-43743-0001.
  - PACKAGING SPECIFICATION:  
CONNECTOR ASSEMBLIES TO BE PACKAGED USING TAPE & REEL SYSTEM.
  - COPLANARITY SPECIFICATION:  
WHEN AN ASSEMBLY IS PLACED UPON A LEVEL SURFACE, THE MAXIMUM GAP BETWEEN THE LEVEL SURFACE AND ALL TERMINAL TAILS AND BOTH FITTING NAILS IS 0.15 mm.
  - FOR ASSEMBLIES HAVING VOIDED CIRCUITS, THE TAIL PORTION IS CUT AND REMOVED. THE MATING PORTION OF THE TERMINAL REMAINS INTACT. VOIDED CIRCUITS MUST BE THE SAME FOR BOTH PARTS.
  - CONFORMS TO FCC REGULATION PART 68.5 FOR MODULAR JACKS.
  - THIS PART CONFORMS TO CLASS B REQUIREMENTS OF COSMETIC SPECIFICATION PS-45499-002.
  - REBUILT FROM SDA-43743-xxxx.



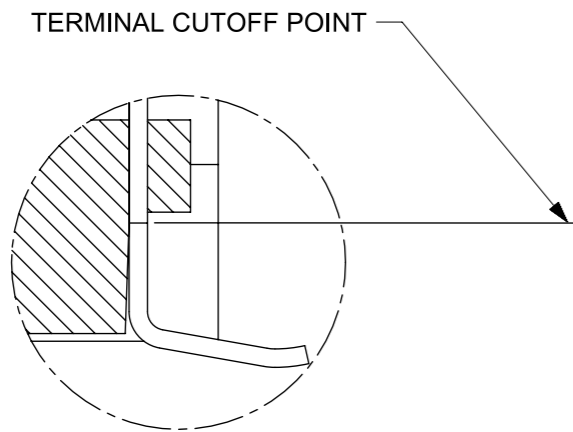
THIS DRAWING CONTAINS INFORMATION THAT IS PROPRIETARY TO MOLEX ELECTRONIC TECHNOLOGIES, LLC AND SHOULD NOT BE USED WITHOUT WRITTEN PERMISSION									
DIMENSION UNITS	SCALE	CURRENT REV DESC: REMOVED OBSOLETE PART NUMBERS AS PER PCN#512600							
mm	3:1	<p>SURFACE MOUNT MODULAR JACK</p> <p>PRODUCT SALES DRAWING</p>							
GENERAL TOLERANCES (UNLESS SPECIFIED)									
ANGULAR TOL	± 0.5°								
4 PLACES	±								
3 PLACES	±								
2 PLACES	± 0.25								
1 PLACE	± 0.36	STATUS: Production	DRWN: Madhava M	2023-10-10	DOCUMENT NUMBER	DOC TYPE	DOC PART	REVISION	
0 PLACES	±	CHK'D: Ganesh Rao B	2023-10-25	2023-10-25	437438101	PSD	000	H3	
DRAFT WHERE APPLICABLE MUST REMAIN WITHIN DIMENSIONS	THIRD ANGLE PROJECTION	DRAWING	SERIES	MATERIAL NUMBER	CUSTOMER		SHEET NUMBER		
		A3-SIZE	43743	SEE TABLE			1 OF 2		



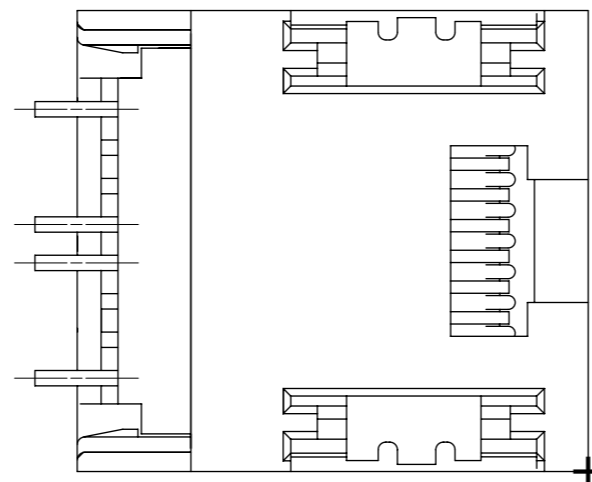
PC BOARD LAYOUT FOR  
6 POSITION HOUSING  
(COMPONENT SIDE OF BOARD)



PC BOARD LAYOUT FOR  
8 POSITION HOUSING  
(COMPONENT SIDE OF BOARD)



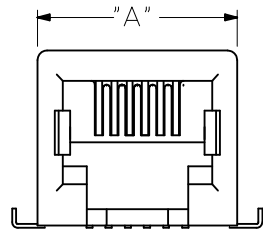
VIEW SHOWING TYPICAL TERMINAL  
CUTOFF OF TAIL (SEE NOTE 5) FOR VOIDED CIRCUITS.



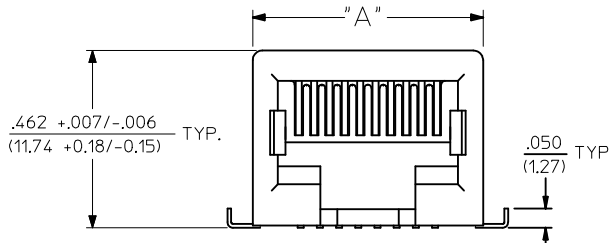
TYPICAL VIEW SHOWING VOIDED CIRCUIT  
(CIRCUITS 2,3,6 & 7 SHOWN VOIDED)

THIS DRAWING CONTAINS INFORMATION THAT IS PROPRIETARY TO MOLEX ELECTRONIC TECHNOLOGIES, LLC AND SHOULD NOT BE USED WITHOUT WRITTEN PERMISSION																	
DIMENSION UNITS		SCALE		CURRENT REV DESC: REMOVED OBSOLETE PART NUMBERS AS PER PCN#512600													
mm		1:1		<div style="text-align: center;"><b>molex</b></div> <p>SURFACE MOUNT MODULAR JACK</p> <p>PRODUCT SALES DRAWING</p> <table border="1" style="width: 100%;"> <tr> <td>DOCUMENT NUMBER</td> <td>DOC TYPE</td> <td>DOC PART</td> <td>REVISION</td> </tr> <tr> <td>437438101</td> <td>PSD</td> <td>000</td> <td>H3</td> </tr> </table>						DOCUMENT NUMBER	DOC TYPE	DOC PART	REVISION	437438101	PSD	000	H3
DOCUMENT NUMBER	DOC TYPE	DOC PART	REVISION														
437438101	PSD	000	H3														
GENERAL TOLERANCES (UNLESS SPECIFIED)																	
ANGULAR TOL ± 0.5°																	
4 PLACES ±																	
3 PLACES ±																	
2 PLACES ± 0.25																	
1 PLACE ± 0.36																	
0 PLACES ±																	
DRAFT WHERE APPLICABLE MUST REMAIN WITHIN DIMENSIONS		THIRD ANGLE PROJECTION		DRAWING		SERIES		MATERIAL NUMBER									
				A3-SIZE		43743		SEE TABLE									
STATUS: Production				DRWN: Madhava M		2023-10-10											
CHK'D: Ganesh Rao B				2023-10-25		2023-10-25											
APPR: Gurunandan GA																	
								SHEET NUMBER									
								2 OF 2									

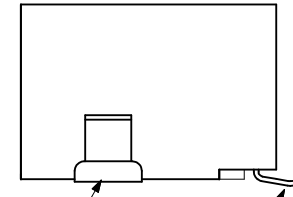
HOUSING SIZE	CIRCUIT SIZE	DIM. A	DIM. B
6	6	.520 (13.21)	.250 (6.35)
6	4	.520 (13.21)	.150 (3.81)
6	2	.520 (13.21)	.050 (1.27)
8	8	.600 (15.24)	.350 (8.89)
8	6	.600 (15.24)	.250 (6.35)



6 CIRCUIT ASSEMBLY



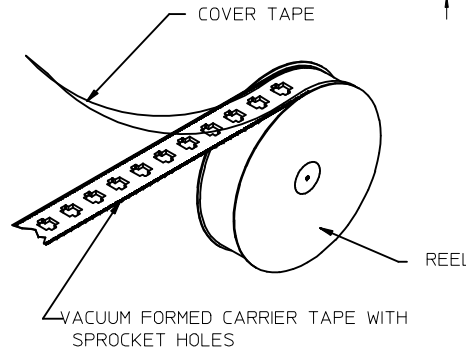
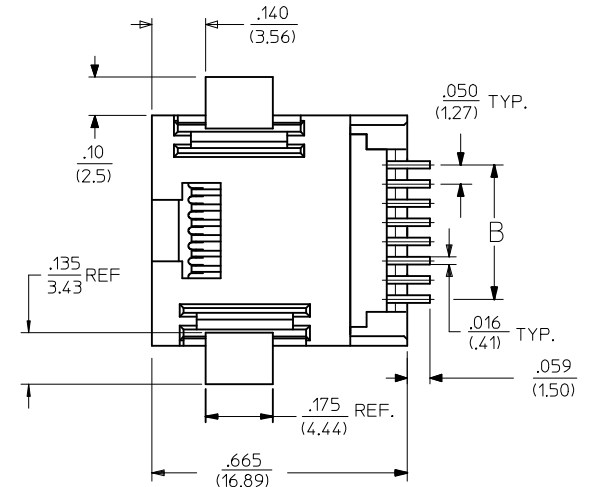
8 CIRCUIT ASSEMBLY



FITTING NAILS  
SEE NOTE 5

TERMINAL TAILS  
SEE NOTE 5

*X*=NOT TOOLED	ASSEMBLY ITEM NO.	CONNECTOR SIZE	CIRCUIT SIZE	TERMINAL PLATING	TAPE & REEL PACKAGING No.	VOIDED CIRCUITS
	43743-6001	6	6	A	PK-70873-7001	NA
X	43743-6002	6	6	B		
X	43743-6003	6	6	C		
	43743-6101	6	4	A		
X	43743-6102	6	4	B		
X	43743-6103	6	4	C	PK-70873-7001	
	43743-8101	8	8	A	PK-70873-7002	
X	43743-8102	8	8	B		
X	43743-8103	8	8	C		
X	43743-8201	8	6	A		
X	43743-8202	8	6	B		
X	43743-8203	8	6	C		
X	43743-8301	8	4	A		
X	43743-8302	8	4	B		
X	43743-8303	8	4	C	PK-70873-7002	
	43743-6201	6	2	A	PK-70873-7001	
X	43743-6202	6	2	B	PK-70873-7001	
X	43743-6203	6	2	C	PK-70873-7001	NA



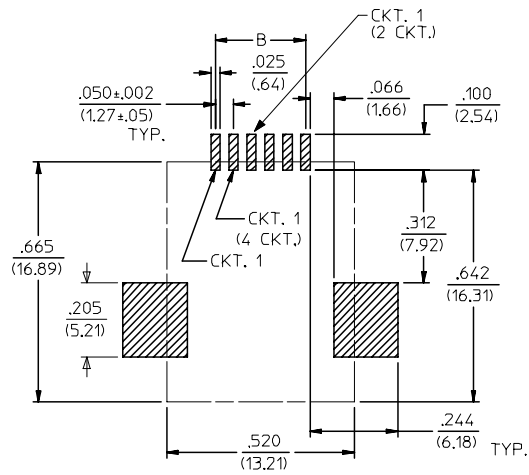
TAPE AND REEL PACKAGING

NOTES:

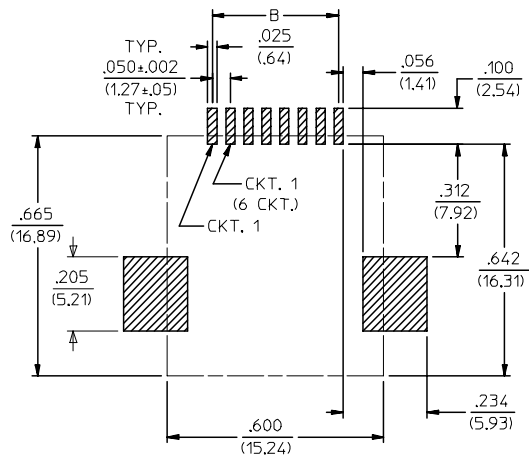
- MATERIAL:  
HOUSING & INSULATOR: NYLON(PA), GLASS FILLED, UL94V-0, COLOR: BLACK  
TERMINALS: PHOSPHOR BRONZE, .012/(0.30) THICK  
FITTING NAILS: BRASS, .010/(0.25) THICK
- FINISH:  
TERMINALS:  
A = SELECT GOLD IN CONTACT AREA: .000050/(0.00127) MIN.,  
\*SELECT MATTE TIN IN PC TAIL AREA: .000100/(0.00254) MN.,  
WITH OVERALL NICKEL UNDERPLATE: .000050/(0.00127) MIN.,  
B = SELECT GOLD IN CONTACT AREA: .000030/(0.00076) MIN.,  
\*SELECT MATTE TIN IN PC TAIL AREA: .000100/(0.00254) MN.,  
WITH OVERALL NICKEL UNDERPLATE: .000050/(0.00127) MIN.,  
C = SELECT GOLD IN CONTACT AREA: .000015/(0.00038) MIN.,  
\*SELECT MATTE TIN IN PC TAIL AREA: .000100/(0.00254) MN.,  
WITH OVERALL NICKEL UNDERPLATE: .000050/(0.00127) MIN.
- FITTING NAILS:  
\*100 MICROINCHES MATTE TIN OVER 50 MICROINCHES NICKEL UNDERPLATE  
\*THE PRIMARY SHIPPING CARTON WILL BE LABELED "COMPLIANT TO RoHS DIRECTIVE 2002/95/EC AND ELV ANNEX II OF DIRECTIVE 2000/53/EC". CARTONS WITHOUT THIS LABEL MAY CONTAIN PRODUCT WITH TIN-LEAD IN THE PC TAILS AND/OR FITTING NAILS.
- PRODUCT SPECIFICATION AND PROCESSING PARAMETERS: PS-43743-0001.
- PACKAGING SPECIFICATION:  
CONNECTOR ASSEMBLIES TO BE PACKAGED USING TAPE & REEL SYSTEM.
- COPLANARITY SPECIFICATION:  
WHEN AN ASSEMBLY IS PLACED UPON A LEVEL SURFACE, THE MAXIMUM GAP BETWEEN THE LEVEL SURFACE AND ALL TERMINAL TAILS AND BOTH FITTING NAILS IS .006/(0.15).
- FOR ASSEMBLIES HAVING VOIDED CIRCUITS, THE TAIL PORTION IS CUT AND REMOVED. THE MATING PORTION OF THE TERMINAL REMAINS INTACT. VOIDED CIRCUITS MUST BE THE SAME FOR BOTH PARTS.
- CONFORMS TO FCC REGULATION PART 68.5 FOR MODULAR JACKS.
- THIS PART CONFORMS TO CLASS B REQUIREMENTS OF COSMETIC SPECIFICATION PS-45499-002.

2	H
1	J3
SHT	REV

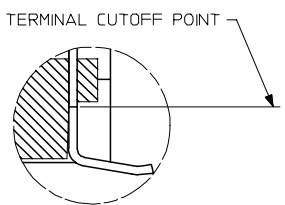
OBSOLETE PN EC NO: UCP2017-0673 DRW:WAFENG02 2016/09/22 CHKD: APPR:KLANG 2016/10/10	QUALITY SYMBOLS ▽=0 ▽=0	GENERAL TOLERANCES (UNLESS SPECIFIED)	DIMENSION STYLE IN/MM	SCALE INCH	DESIGN UNITS INCH	THIRD ANGLE PROJECTION
		mm INCH	DRAWN BY DATE PEARSON 6/18/96	TITLE SURFACE MOUNT MODULAR JACK		
		4 PLACES ± --- ± --- 3 PLACES ± --- ± .010 2 PLACES ± 0.25 ± .014 1 PLACE ± 0.36 ± ---	CHECKED BY DATE PEARSON 6/18/96	APPROVED BY DATE EDGLEY 6/18/96		
		ANGULAR ±1/2°	MATERIAL NO. SEE CHARTS	DOCUMENT NO. SDA-43743-****	SHEET NO. 1 OF 2	
J4	REV	DRAFT WHERE APPLICABLE MUST REMAIN WITHIN DIMENSIONS	THIS DRAWING CONTAINS INFORMATION THAT IS PROPRIETARY TO MOLEX INCORPORATED AND SHOULD NOT BE USED WITHOUT WRITTEN PERMISSION			



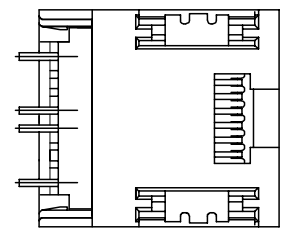
PC BOARD LAYOUT FOR 6 POSITION HOUSING (COMPONENT SIDE OF BOARD)



PC BOARD LAYOUT FOR 8 POSITION HOUSING (COMPONENT SIDE OF BOARD)



VIEW SHOWING TYPICAL TERMINAL CUTOFF OF TAIL (SEE NOTE 5) FOR VOIDED CIRCUITS.



TYPICAL VIEW SHOWING VOIDED CIRCUIT (CIRCUITS 2,3,6 & 7 SHOWN VOIDED)

SEE SHEET ONE EC NO: UCP2004-0798 DRWN:LSCHMIDT 2004/01/05 CHKD:LSCHMIDT 2004/01/05 APPR:FSMITH 2004/01/08	QUALITY SYMBOLS	GENERAL TOLERANCES (UNLESS SPECIFIED)	SCALE --- INCH	DESIGN UNITS INCH	THIRD ANGLE PROJECTION	REVISE ON CAD ONLY
	DESCRIPTION ▽ = 0 ▽ = 0	mm	INCH	DIMENSION STYLE IN/MM		TITLE SURFACE MOUNT MODULAR JACK
		4 PLACES ± --- ± ---	3 PLACES ± --- ± .010	DRAWN BY PEARSON	DATE 06/18/96	
		2 PLACES ± 0.25 ± .014	1 PLACE ± 0.36 ± ---	CHECKED BY PEARSON	DATE 06/18/96	MOLEX INCORPORATED MATERIAL NO. SEE TABLE DOCUMENT NO. SDA-43743-**** SHEET NO. 2 OF 2
REV	ANGULAR ±1/2°	DRAFT WHERE APPLICABLE MUST REMAIN WITHIN DIMENSIONS	APPROVED BY EDGLEY	DATE 06/18/96	THIS DRAWING CONTAINS INFORMATION THAT IS PROPRIETARY TO MOLEX INCORPORATED AND SHOULD NOT BE USED WITHOUT WRITTEN PERMISSION	