



产品编号 : 438100055

**Product Description** : Mini-Fit BMI Header, Dual Row, Right-Angle, for 2.39mm PCB, 24 Circuits, Tin (Sn) Plating, 260C Wave Solderable, with Retention Clip

系列号 : 43810

**状态** : Active

**Product Category** : PCB Headers and Receptacles

---

## 文件和资源

### 图纸

图纸 438100055\_sd.pdf

包装设计图 PK-43810-001-000.pdf

### 3D 模型和设计文件

3D模型 438100055\_stp.zip

### 规格


产品规格 PS-43810-001-001.pdf

产品规格 PS-45750-001-001.pdf

---

## 产物环境合规

### 合规

GADSL/IMDS	Not Relevant
China RoHS	
EU ELV	Not Relevant
Low-Halogen Status	Not Low-Halogen per IEC 61249-2-21
REACH SVHC	Not Contained per D(2023)8585-DC (23 Jan 2024)
EU RoHS	Compliant per EU 2015/863

### 多部分产品合规性声明

- Eu RoHS
- REACH SVHC
- Low-Halogen
  
- IPC 1752A Class C
- IPC 1752A Class D

- Molex Product Compliance Declaration

- IEC-62474

- chemSHERPA (xml)

欧盟 RoHS 合格证书

---

## 产品详情

### 常规

状态	活动
类别	PCB Headers and Receptacles
系列	43810
说明	Mini-Fit BMI Header, Dual Row, Right-Angle, for 2.39mm PCB, 24 Circuits, Tin (Sn) Plating, 260C Wave Solderable, with Retention Clip
应用	Board-to-Board, Power, Wire-to-Board
个评论	Current = 13A max. per circuit when header is mated to a receptacle loaded with 45750 Mini-Fit Plus HCS Crimp Terminal Crimped to 16 AWG wire. See Molex product specification PS-45750-001 for additional current de-rating information.
元件类型	PCB Header
产品系列	Mini-Fit Family Power Connectors
产品名称	Mini-Fit BMI
UPC	800754823128

### 机构

CSA	LR19980
UL	E29179

### 电气

每触点最大电流	13.0A
电压 - 最大	600V AC (RMS)/DC

### 物理

断开	否
----	---

回路数 (已载入)	24
电路数 (最多)	24
颜色-树脂	黑色
耐用性(插拔次数) - 最多次数	30
阻燃性	94V-0
符合灼热丝规范	否
材料 - 金属	Brass
材料 - 接合部位电镀	Tin
材料 - 终端电镀	Tin
材料 - 树脂	High Temperature Thermoplastic
净重	12.996/g
行数	2
方向	Right Angle
包装形式	Tray
PC 焊脚长度	3.63mm
PCB 定位器	否
PCB 保持力	是
推荐的 PCB 厚度	2.39mm (.094")
间距 - 插配接口	4.20mm
间距 - 终端界面	4.20mm
最薄镀层 - 接合部位	2.540µm
最薄镀层 - 端接	2.540µm
有极性的插配件	是
PCB 极性	是
有护墙的	Fully
可堆叠的	否
运行温度范围	-40° to +105° C
终端界面类型	Through Hole

## 进程

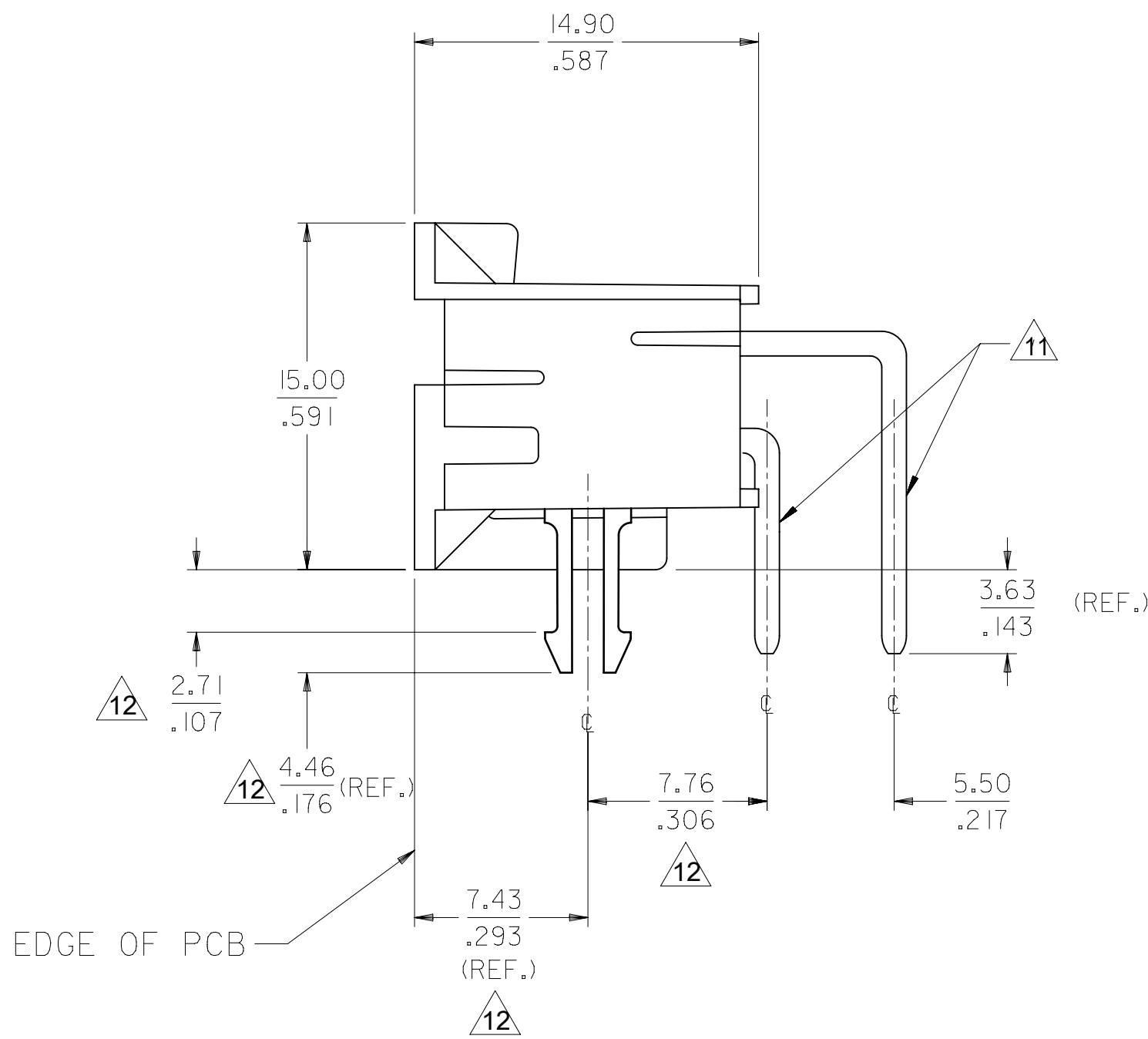
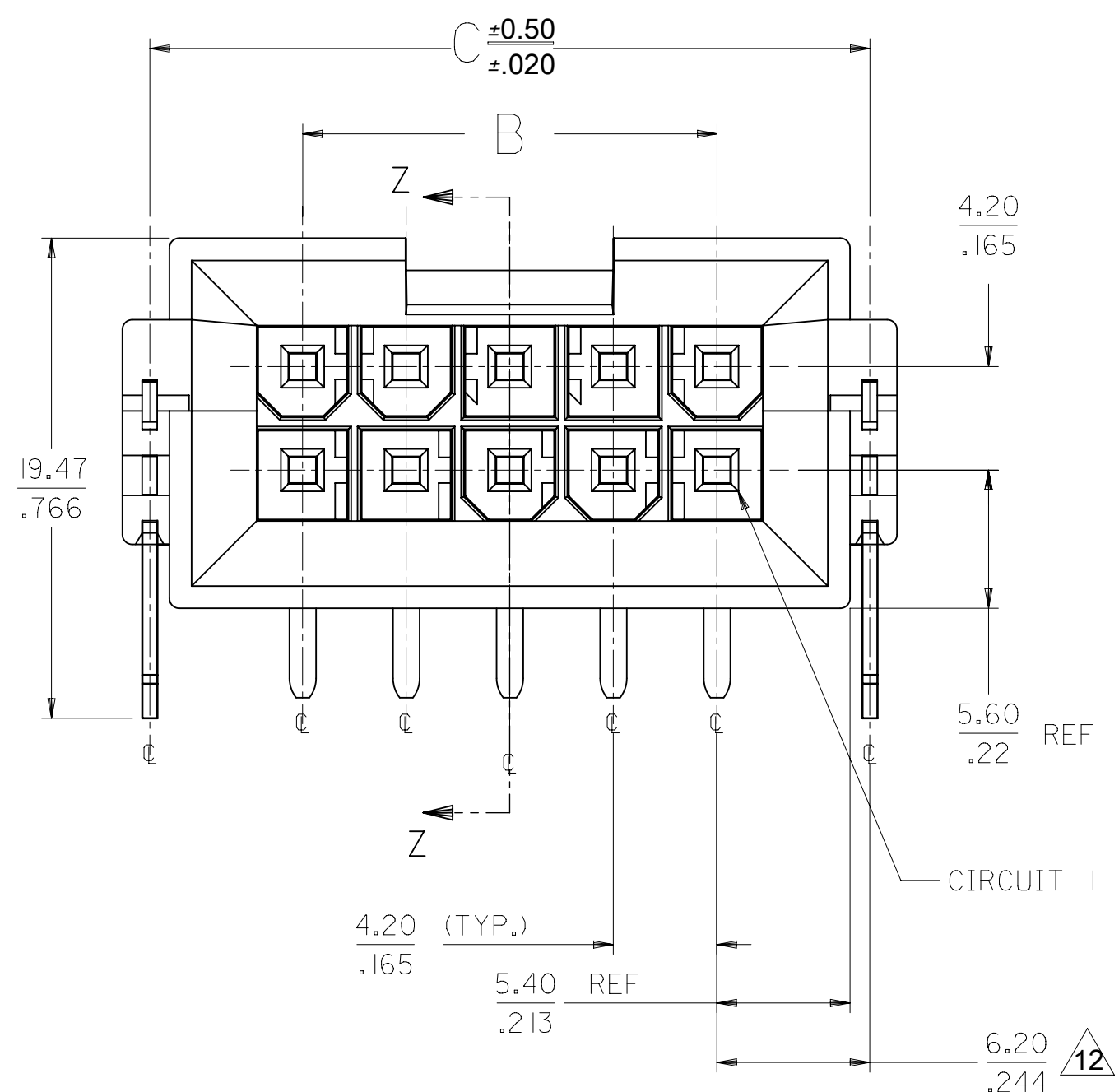
最长持续时间	5
无铅	WAVE
最大周期	1
最高温度	240

---

## 可配插/可连接使用的产品

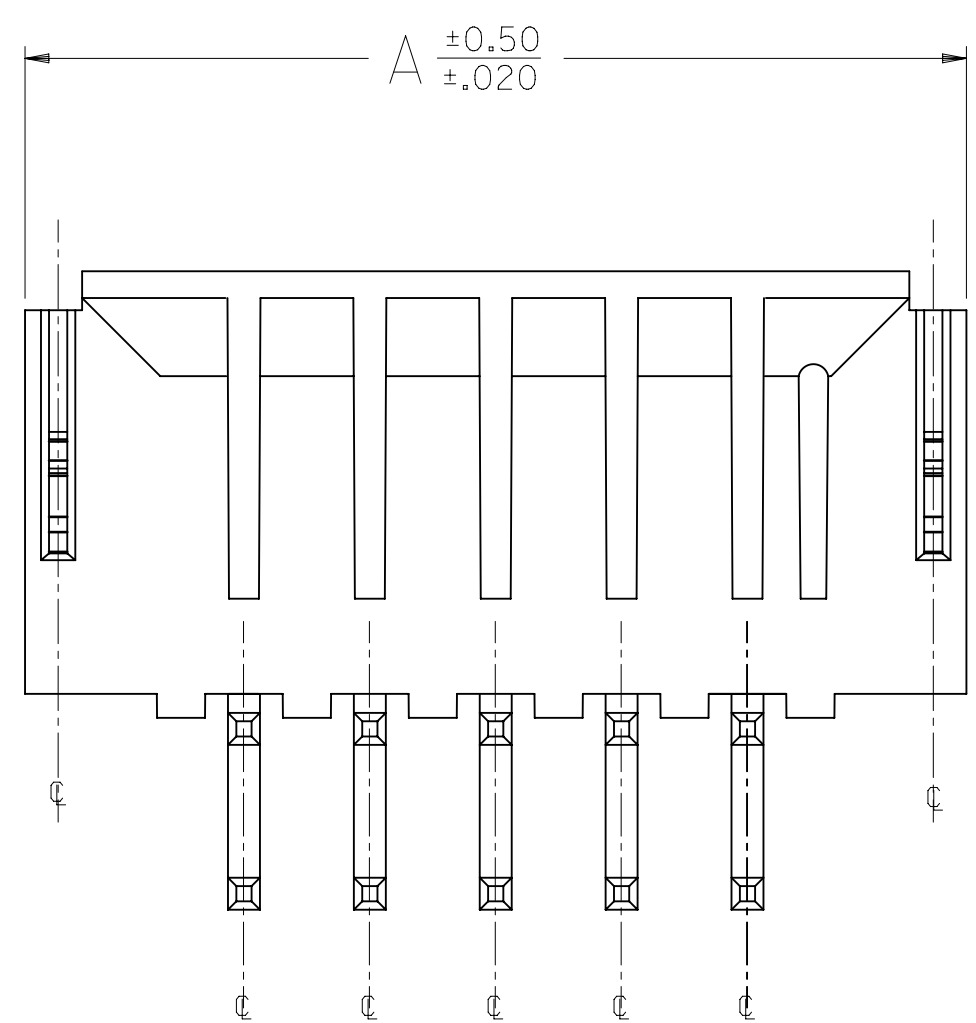
### 可配插部件

描述	产品编号
Mini-Fit BMI Vertical Dual Row Receptacle Headers	<u>42385</u>
Mini-Fit BMI Dual Row Receptacle Housings	<u>42474</u>
Mini-Fit HCS Vertical Dual Row PCB Receptacles	<u>44475</u>
Mini-Fit BMI Dual Row Receptacle Housings	<u>44516</u>
Mini-Fit Jr. Receptacle Housings	<u>5557</u>

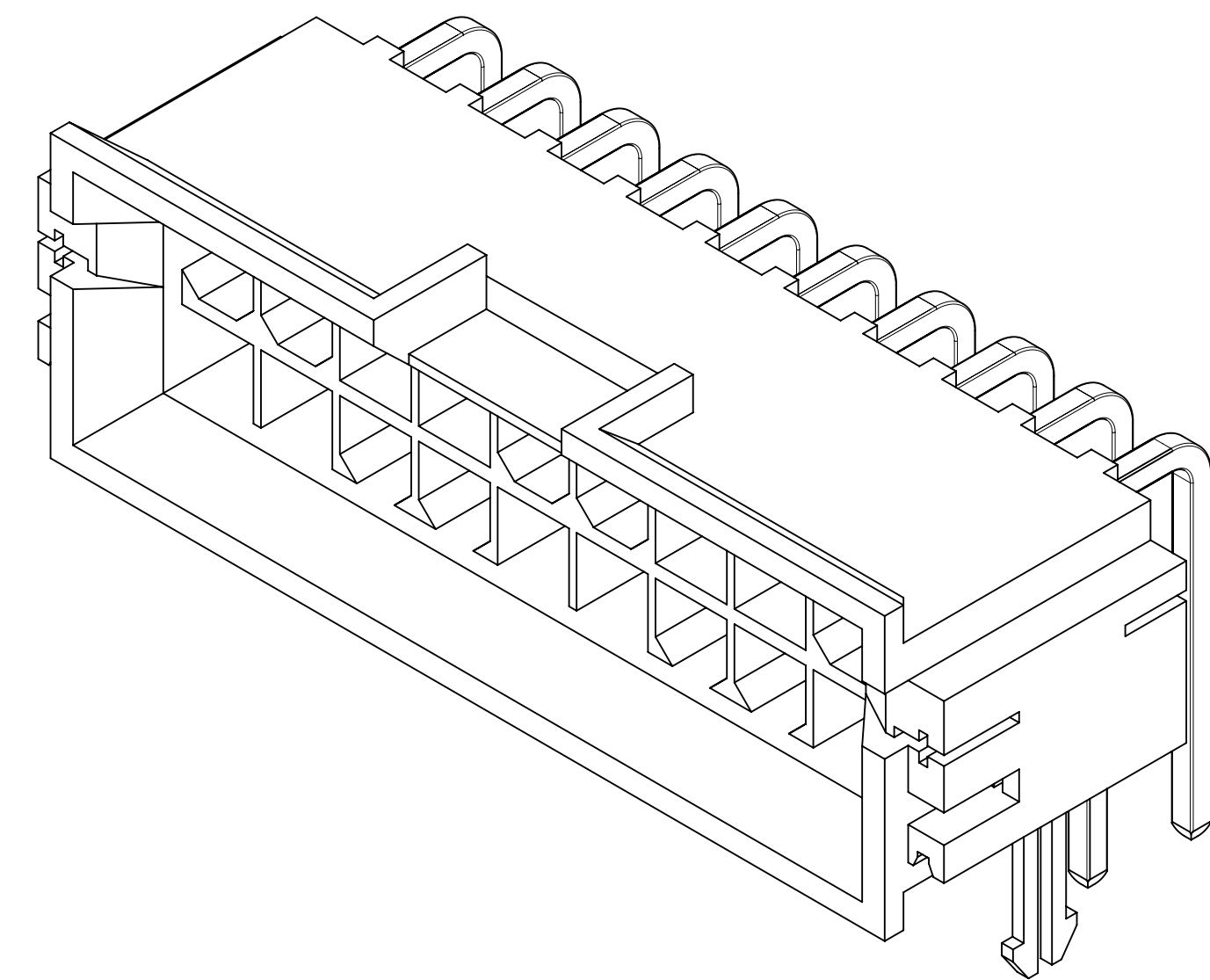


NOTES

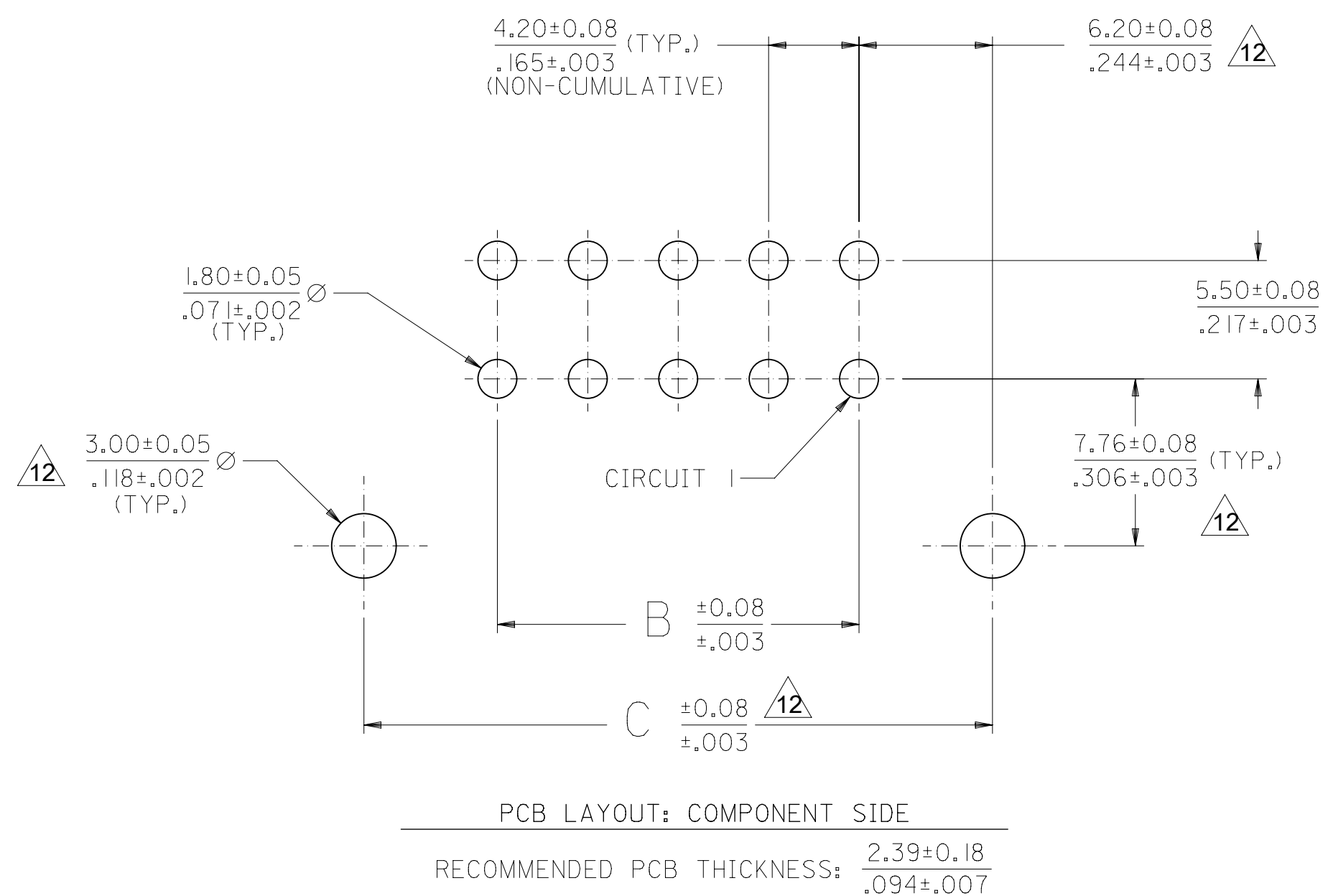
- 1) MATERIALS  
HOUSING: NYLON 4/6 UL 94V-0 GLASS FILLED, COLOR: BLACK  
TERMINAL: BRASS  
BOARD RETENTION CLIP: BRASS
- 2) FINISHES:  
TERMINAL:  
1.=(0.00254)/.000100 MIN. BRIGHT TIN OVER  
(0.00127)/.000050 MIN. NICKEL  
2.=(0.00076)/.000030 MIN. SELECT GOLD AND  
(0.00254)/.000100 MIN. SELECT MATTE TIN  
OVER (0.00127)/.000050 MIN. NICKEL OVERALL  
4.=(0.00152)/.000060 MIN. REFLOWED MATTE TIN OVER  
(0.00127)/.000050 MIN. NICKEL OVERALL  
MOUNTING CLIP:  
(0.00254)/.000100 MIN. MATTE TIN OVER  
(0.00127)/.000050 MIN. NICKEL
- 3) PRODUCT SPECIFICATION: PS-43810-001
- 4) PACKAGING SPECIFICATION: PK-43810-001
- 5) PARTS MATES WITH MOLEX RECP TACTLE #5557 AND #42474 AND #44516 AND #42385 HEADER
- 6) PART ALLOWS FOR (1.27)/.050 MAX MIS-ALIGNMENT WITH MATING HOUSINGS IN ANY DIRECTION
- 7) CONNECTOR ASSEMBLIES ARE NOT TO BE MATED AND UNMATED WHILE CIRCUITS ARE LIVE
- 8) PARTS ARE NOT DESIGNED FOR CURRENT SHARING
- 9) DISCOLORATION IN THE BANDOLIEN CARRIER AREA OF THE PIN IS INHERENT TO THE PLATING PROCESS AND IS DUE TO THE MASKING EFFECT OF THE CARRIER. THIS DISCOLORATION IS IN A NON-FUNCTIONAL AREA OF THE PIN AND WILL NOT AFFECT THE PERFORMANCE OF THE HEADER ASSEMBLY.
- 10) PART CONFORMS TO CLASS "B" REQUIREMENTS OF COSMETIC SPECIFICATION PS-45499-002
- 11) FORMING MARKS ARE ACCEPTABLE
- 12) DIMENSION DOES NOT APPLY TO PARTS WITHOUT CLIP OPTION.
- 13) TEXT ON PART IS FOR REFERENCE ONLY. TEXT AND TEXT LOCATION MAY VARY DEPENDING ON PART NUMBER AND/OR TOOL.



HEADER ASSEMBLY WITH NO CLIP OPTION



20 CKT SHOWN



PCB LAYOUT: COMPONENT SIDE  
RECOMMENDED PCB THICKNESS: 2.39±0.18 / .094±.007

QUALITY SYMBOLS	THIS DRAWING CONTAINS INFORMATION THAT IS PROPRIETARY TO MOLEX ELECTRONIC TECHNOLOGIES, LLC AND SHOULD NOT BE USED WITHOUT WRITTEN PERMISSION			
	2017/02/17 2017/04/18 2017/04/28 CONVERT TO INX EC NO. 114248 DRWN: BAPPELDORN CHKD: J.BELL REV: APPR: FSMITH	GENERAL TOLERANCES (UNLESS SPECIFIED) MM/IN 4 PLACES ± ± 3 PLACES ± ± 0.01 2 PLACES ± 0.25 ± 0.014 1 PLACES ± 0.35 ± 0 PLACES ± ± ANGULAR TOL ± 0.5 DRAFT WHERE APPLICABLE MUST REMAIN WITHIN DIMENSIONS	DIMENSION UNITS SCALE MM/IN 4:1 DRWN BY MANLAPAZ CHKD BY BANDURA APPR BY FSMITH DATE 1997/01/06 1997/03/26 2012/01/19	<b>molex</b> MINI-FIT JR BMI RIGHT ANGLE HEADER ASM. FOR 2.39/.094 THK. PCB PRODUCT CUSTOMER DRAWING SERIES: 43810 MATERIAL NUMBER: SEE CHART CUSTOMER: GENERAL MARKET DOCUMENT NUMBER: SD-43810-031 DOC TYPE: PSD DOC PART: 000 SHEET NUMBER: 1 OF 2
▽ = 0 ▽ = 0 ▽ = 0 ▽ = 0 ▽ = 0 ⊠ = 0 ■ = 0 ▽ = 0	H1	D	19 18 17 16 15 14 13 12 11 10 9 8 7 6 5 4 3 2 1	

MATERIAL NO.	CIRCUIT SIZE	CLIP OPTION	DIM. "A"	DIM. "B"	DIM. "C"	FINISH
43810-0045	4	YES	18.81 .740	4.20 .165	16.60 .653	1
43810-0046	6	YES	23.01 .906	8.40 .331	20.80 .819	1
43810-0047	8	YES	27.21 1.071	12.60 .496	25.00 .984	1
43810-0048	10	YES	31.41 1.237	16.80 .661	29.20 1.150	1
43810-0049	12	YES	35.61 1.402	21.00 .828	33.40 1.315	1
43810-0050	14	YES	39.81 1.567	25.20 .992	37.60 1.480	1
43810-0051	16	YES	44.01 1.733	29.40 1.157	41.80 1.646	1
43810-0052	18	YES	48.21 1.898	33.60 1.323	46.00 1.811	1
43810-0053	20	YES	52.41 2.063	37.80 1.488	50.20 1.976	1
43810-0054	22	YES	56.61 2.229	42.00 1.654	54.40 2.142	1
43810-0055	24	YES	60.81 2.394	46.20 1.819	58.60 2.307	1
43810-0056	4	YES	18.81 .740	4.20 .165	16.60 .653	2
43810-0057	6	YES	23.01 .906	8.40 .331	20.80 .819	2
43810-0058	8	YES	27.21 1.071	12.60 .496	25.00 .984	2
43810-0059	10	YES	31.41 1.237	16.80 .661	29.20 1.150	2
43810-0060	12	YES	35.61 1.402	21.00 .828	33.40 1.315	2
43810-0061	14	YES	39.81 1.567	25.20 .992	37.60 1.480	2
43810-0062	16	YES	44.01 1.733	29.40 1.157	41.80 1.646	2
43810-0063	18	YES	48.21 1.898	33.60 1.323	46.00 1.811	2
43810-0064	20	YES	52.41 2.063	37.80 1.488	50.20 1.976	2
43810-0065	22	YES	56.61 2.229	42.00 1.654	54.40 2.142	2
43810-0066	24	YES	60.81 2.394	46.20 1.819	58.60 2.307	2

N = NOT TOOLED

MATERIAL NO.	CIRCUIT SIZE	CLIP OPTION	DIM. "A"	DIM. "B"	DIM. "C"	FINISH
43810-0265	4	NO	18.81 .740	4.20 .165	16.60 .653	1
43810-0266	6	NO	23.01 .906	8.40 .331	20.80 .819	1
43810-0267	8	NO	27.21 1.071	12.60 .496	25.00 .984	1
43810-0268	10	NO	31.41 1.237	16.80 .661	29.20 1.150	1
43810-0269	12	NO	35.61 1.402	21.00 .828	33.40 1.315	1
43810-0270	14	NO	39.81 1.567	25.20 .992	37.60 1.480	1
43810-0271	16	NO	44.01 1.733	29.40 1.157	41.80 1.646	1
43810-0272	18	NO	48.21 1.898	33.60 1.323	46.00 1.811	1
43810-0273	20	NO	52.41 2.063	37.80 1.488	50.20 1.976	1
43810-0274	22	NO	56.61 2.229	42.00 1.654	54.40 2.142	1
43810-0275	24	NO	60.81 2.394	46.20 1.819	58.60 2.307	1
43810-0276	4	NO	18.81 .740	4.20 .165	16.60 .653	2
43810-0277	6	NO	23.01 .906	8.40 .331	20.80 .819	2
43810-0278	8	NO	27.21 1.071	12.60 .496	25.00 .984	2
43810-0279	10	NO	31.41 1.237	16.80 .661	29.20 1.150	2
43810-0280	12	NO	35.61 1.402	21.00 .828	33.40 1.315	2
43810-0281	14	NO	39.81 1.567	25.20 .992	37.60 1.480	2
43810-0282	16	NO	44.01 1.733	29.40 1.157	41.80 1.646	2
43810-0283	18	NO	48.21 1.898	33.60 1.323	46.00 1.811	2
43810-0284	20	NO	52.41 2.063	37.80 1.488	50.20 1.976	2
43810-0285	22	NO	56.61 2.229	42.00 1.654	54.40 2.142	2
43810-0286	24	NO	60.81 2.394	46.20 1.819	58.60 2.307	2

N = NOT TOOLED

MATERIAL NO.	CIRCUIT SIZE	CLIP OPTION	DIM. "A"	DIM. "B"	DIM. "C"	FINISH
43810-0548	4	YES	18.81 .740	4.20 .165	16.60 .653	4
43810-0550	6	YES	23.01 .906	8.40 .331	20.80 .819	4
43810-0548	8	YES	27.21 1.071	12.60 .496	25.00 .984	4
43810-0548	10	YES	31.41 1.237	16.80 .661	29.20 1.150	4
43810-0550	12	YES	35.61 1.402	21.00 .828	33.40 1.315	4
43810-0550	14	YES	39.81 1.567	25.20 .992	37.60 1.480	4
43810-0550	16	YES	44.01 1.733	29.40 1.157	41.80 1.646	4
43810-0550	18	YES	48.21 1.898	33.60 1.323	46.00 1.811	4
43810-0550	20	YES	52.41 2.063	37.80 1.488	50.20 1.976	4
43810-0550	22	YES	56.61 2.229	42.00 1.654	54.40 2.142	4
43810-0550	24	YES	60.81 2.394	46.20 1.819	58.60 2.307	4

N = NOT TOOLED

<b>QUALITY SYMBOLS</b> 	THIS DRAWING CONTAINS INFORMATION THAT IS PROPRIETARY TO MOLEX ELECTRONIC TECHNOLOGIES, LLC AND SHOULD NOT BE USED WITHOUT WRITTEN PERMISSION											
	GENERAL TOLERANCES (UNLESS SPECIFIED)		MM/IN		SCALE							
					1:1							
	4 PLACES ± ±		DRWN BY		DATE		<b>MINI-FIT JR BMI</b> <b>RIGHT ANGLE HEADER ASM. FOR 2.39/.094 THK. PCB</b>					
	3 PLACES ± ± 0.01		MANLAPAZ		1997/01/06							
	2 PLACES ± 0.25 ± 0.014		BANDURA		1997/03/26							
	1 PLACES ± 0.35 ±		APPR BY		DATE		<b>PRODUCT CUSTOMER DRAWING</b>					
	0 PLACES ± ±		FSMITH		2012/01/19							
	ANGULAR TOL ± 0.5		DRAWING SIZE		THIRD ANGLE PROJECTION		SERIES		MATERIAL NUMBER		CUSTOMER	
	DRAFT WHERE APPLICABLE MUST REMAIN WITHIN DIMENSIONS		D				43810		SEE CHART		GENERAL MARKET	
RELEASE STATUS		RELEASE DATE		DOCUMENT NUMBER		DOC TYPE		DOC PART		SHEET NUMBER		
				SD-43810-031		PSD		000		2 OF 2		