



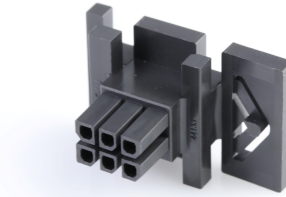
产品编号 : [441330600](#)

Product Description : Micro-Fit BMI Receptacle Housing, Dual Row, Panel Mount, 6 Circuits, Polyester, UL 94V-0

系列号 : 44133

状态 : Active

Product Category : Connector Housings



文件和资源

图纸

[图纸 441330600_sd.pdf](#)

[包装设计图 PK-44133-002-001.pdf](#)

3D 模型和设计文件

[3D模型 441330600_stp.zip](#)

规格

[应用规格 443000001-AS-000.pdf](#)

[产品规格 PS-44300-001-001.pdf](#)

[测试摘要 TS-43045-001-001.pdf](#)

[测试摘要 TS-43045-002-001.pdf](#)

[测试摘要 TS-46235-001-001.pdf](#)

产物环境合规

合规

GADSL/IMDS	Not Relevant
China RoHS	
EU ELV	Not Relevant
Low-Halogen Status	Not Low-Halogen per IEC 61249-2-21
REACH SVHC	Not Contained per D(2023)8585-DC (23 Jan 2024)
EU RoHS	Compliant per EU 2015/863

多部分产品合规性声明

- Eu RoHS
- REACH SVHC
- Low-Halogen

多部分行业合规性文件

- IPC 1752A Class C
- IPC 1752A Class D
- Molex Product Compliance Declaration
- IEC-62474
- chemSHERPA (xml)

欧盟 RoHS 合格证书

产品详情

常规

状态	活动
类别	Connector Housings
系列	44133
说明	Micro-Fit BMI Receptacle Housing, Dual Row, Panel Mount, 6 Circuits, Polyester, UL 94V-0
应用	Power, Wire-to-Board, Wire-to-Wire
产品系列	Micro-Fit Connector System
产品名称	Micro-Fit BMI
UPC	800754807968

机构

CSA	LR19980
UL	E29179

物理

电路数（最多）	6
颜色-树脂	黑色
阻燃性	94V-0
性别	Receptacle
符合灼热丝规范	否
锁定插接部位	否
材料 - 树脂	Polyester
净重	2.160/g
行数	2
包装形式	Tray

面板安装式	是
间距 - 插配接口	3.00mm
有极性的插配件	是
可堆叠的	否
运行温度范围	-40° to +105° C

进程

无铅	不适用
----	-----

可配插/可连接使用的产品

可配插部件

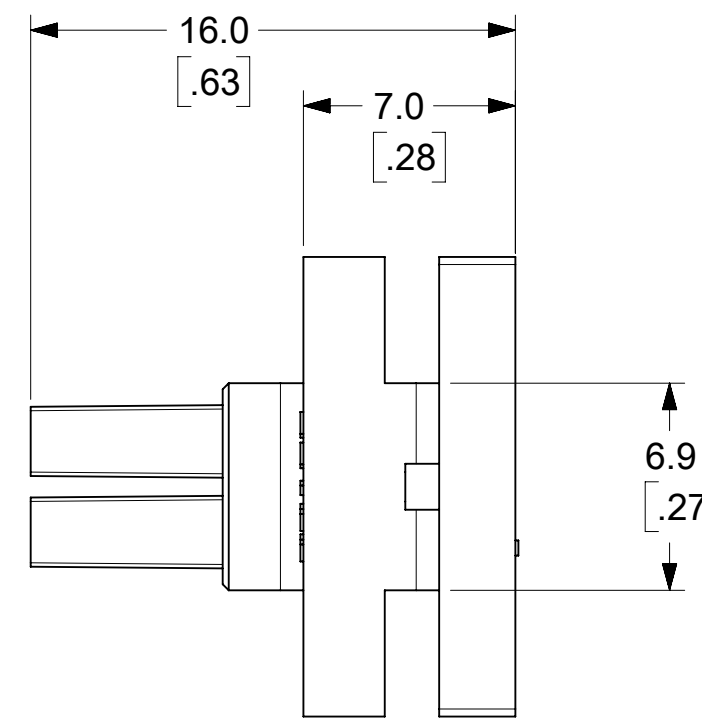
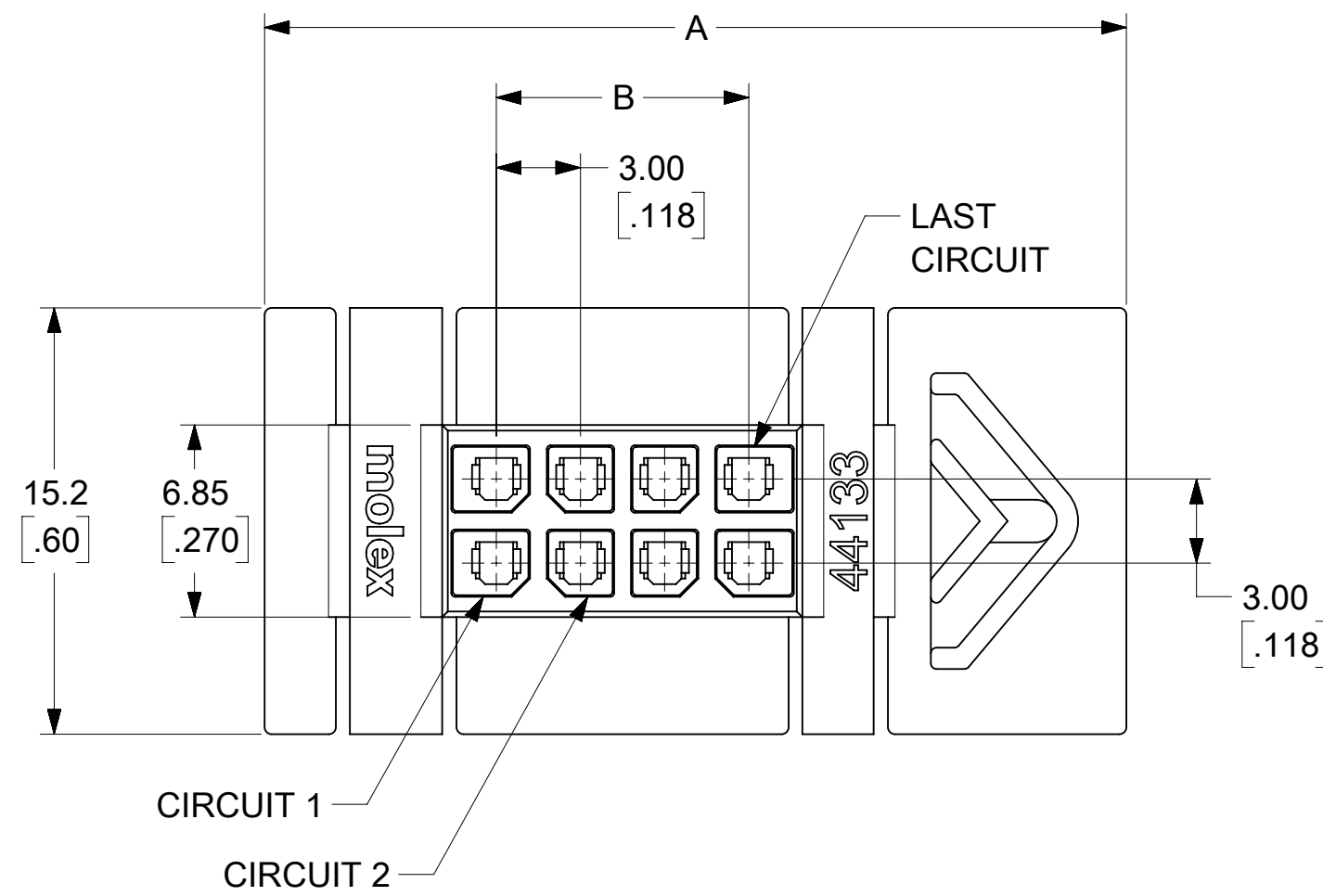
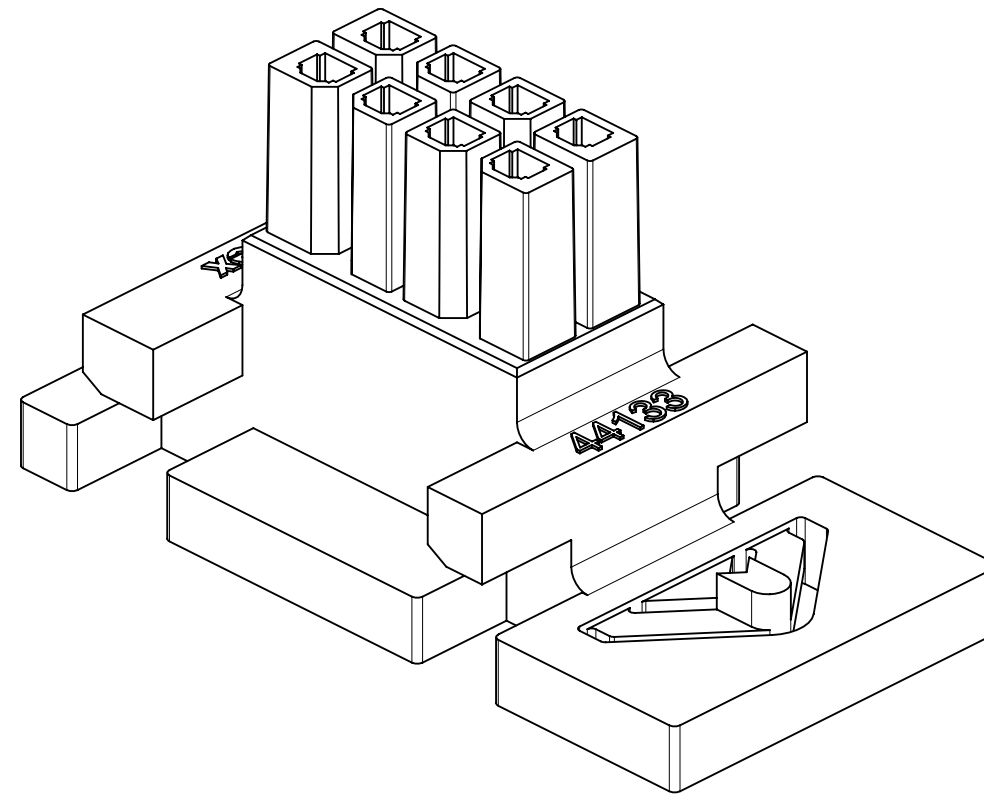
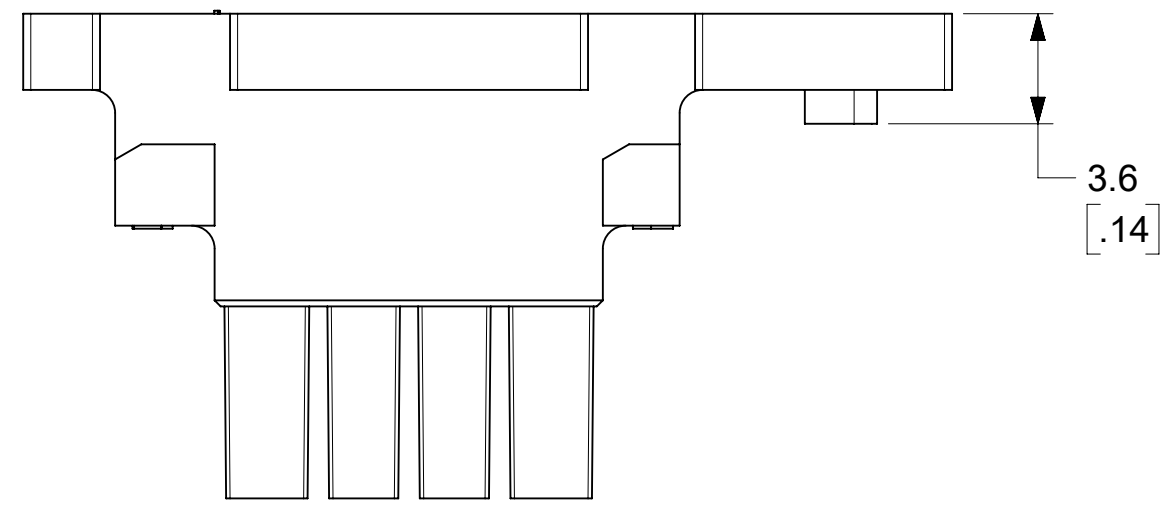
描述	产品编号
Micro-Fit BMI Plug Housing, Dual Row, Panel Mount, 6 Circuits, Black	<u>443000600</u>
Micro-Fit BMI Right-Angle Dual Row Headers	<u>44428</u>
Micro-Fit BMI Vertical Dual Row Headers	<u>44432</u>
Micro-Fit BMI CPI Vertical Dual Row Headers	<u>45280</u>

可连接使用部件

描述	产品编号
Pre-Crimped Lead Micro-Fit 3.0 Female-to-Micro-Fit 3.0 Female, Tin (Sn) Plating, 150.00mm Length, 20 AWG, Black	<u>/content/molex/molex-dot-com/cn/zh/products/product-page.html/797580002.html</u>
Pre-Crimped Lead Micro-Fit 3.0 Female-to-Micro-Fit 3.0 Female, Gold (Au) Plating, 150.00mm Length, 20 AWG, Black	<u>/content/molex/molex-dot-com/cn/zh/products/product-page.html/797580004.html</u>
Pre-Crimped Lead Micro-Fit 3.0 Female-to-Micro-Fit 3.0 Female, Tin (Sn) Plating, 300.00mm Length, 20 AWG, Black	<u>/content/molex/molex-dot-com/cn/zh/products/product-page.html/797580010.html</u>
Pre-Crimped Lead Micro-Fit 3.0 Female-to-Micro-Fit 3.0 Female, Gold (Au) Plating, 300.00mm Length, 20 AWG, Black	<u>/content/molex/molex-dot-com/cn/zh/products/product-page.html/797580012.html</u>
Micro-Fit 3.0 Female Crimp Terminals	<u>43030</u>

Micro-Fit 3.0 Female Crimp Terminals with Lubricant	<u>45773</u>
Micro-Fit Reduced Mating Force Female Crimp Terminals	<u>46235</u>
Pre-Crimped Lead Micro-Fit 3.0 Female-to-Micro-Fit 3.0 Female	<u>214760</u>
Pre-Crimped Lead Micro-Fit 3.0 Female-to-Pigtail	<u>214761</u>

This document was generated on Mar 25, 2024



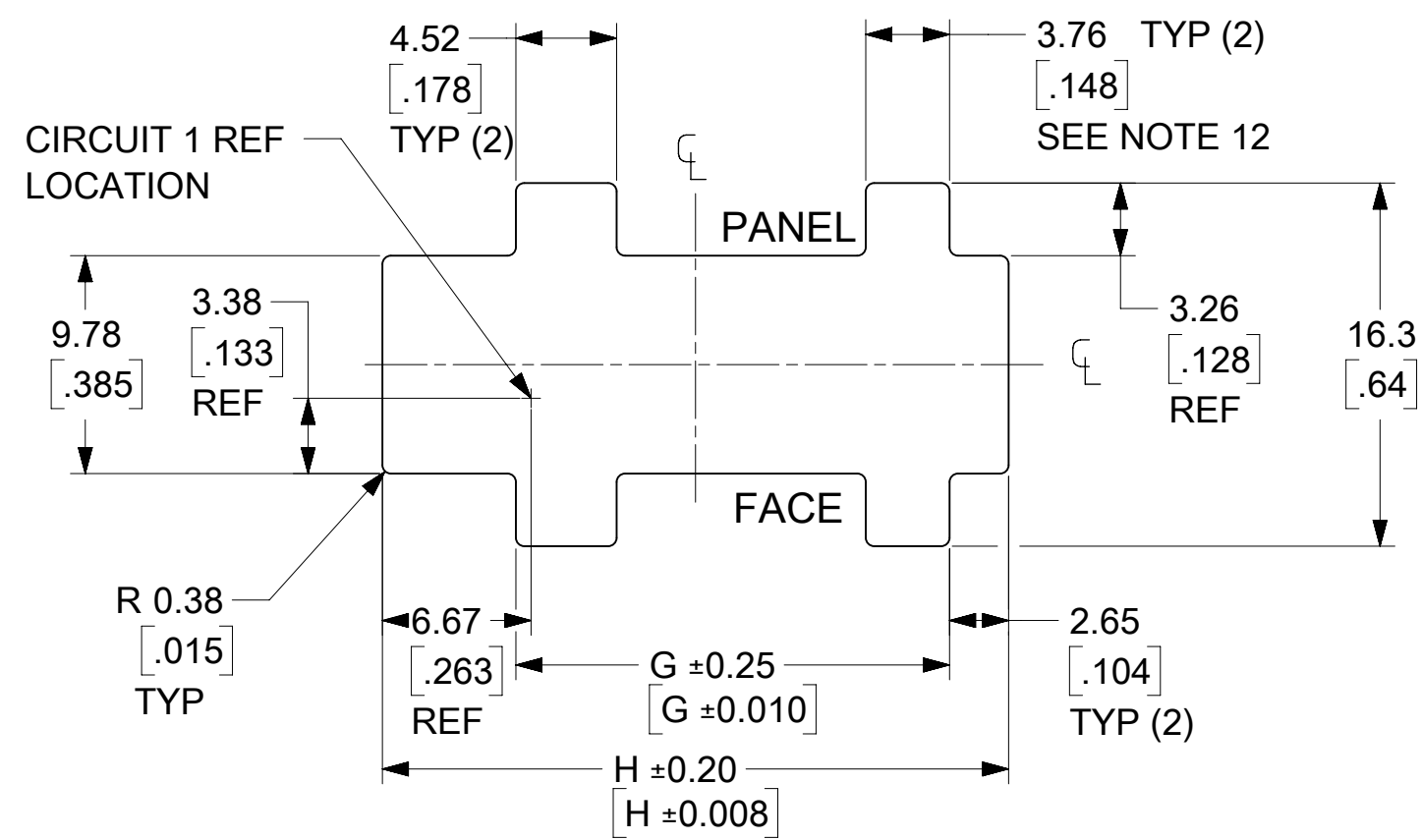
CIRCUIT SIZE	MATERIAL NUMBER	DIM "A"	DIM "B"
4	44133-0400	$\frac{24.6}{.97}$	$\frac{3.00}{.118}$
6	44133-0600	$\frac{27.7}{1.09}$	$\frac{6.00}{.236}$
8	44133-0800	$\frac{30.7}{1.21}$	$\frac{9.00}{.354}$
10	44133-1000	$\frac{33.8}{1.33}$	$\frac{12.00}{.472}$
12	44133-1200	$\frac{36.8}{1.45}$	$\frac{15.00}{.591}$
14	44133-1400	$\frac{39.8}{1.57}$	$\frac{18.00}{.709}$
16	44133-1600	$\frac{42.8}{1.69}$	$\frac{21.00}{.827}$
18	44133-1800	$\frac{45.8}{1.80}$	$\frac{24.00}{.945}$
20	44133-2000	$\frac{48.8}{1.92}$	$\frac{27.00}{1.063}$
22	44133-2200	$\frac{51.8}{2.04}$	$\frac{30.00}{1.181}$
24	44133-2400	$\frac{54.8}{2.16}$	$\frac{33.00}{1.299}$

- NOTES:
1. MATERIAL: UNFILLED POLYESTER (PBT), UL94V-0, COLOR: BLACK
 2. FINISH: N/A
 3. PRODUCT SPECIFICATION: PS-44300-001
 4. PACKAGING SPECIFICATION: TRAY PACKED PER PK-44133-002
 5. THIS RECEPTACLE MATES WITH MOLEX BMI PLUG 44300, MOLEX BMI VERTICAL PCB HEADER 44432, MOLEX BMI RIGHT ANGLE PCB HEADER 44428, & MOLEX BMI CPI VERTICAL PCB HEADER 45280. (MOLEX DRAWINGS SD-44300-001, SD-44428-001, SD-44432-001, & SD-45280-001)
 6. THIS RECEPTACLE TO BE USED WITH MOLEX FEMALE CRIMP TERMINALS ONLY (SERIES 43030, 45773, OR 46235). SEE APPLICATION SPECIFICATION AS-44133-001 FOR TERMINAL ORIENTATION IN HOUSING.
 7. THIS RECEPTACLE IS DESIGNED FOR USE WITH 1.57/.062 MAX. TO 1.27/.050 MINIMUM THICK PANELS.
 8. DIMENSIONS GIVEN ACROSS CENTERLINES ARE SYMMETRICAL ABOUT THOSE CENTERLINES WITHIN THE TOTAL TOLERANCE.
 9. WHEN MATING WITH 44300 SERIES, THE PANEL CUT-OUT CENTERLINES OF DIM "H" AND 9.78/.385 MUST ALIGN WITH POINT "M" DEFINED BY MOLEX DRAWING SD-44300-001.
 10. MOLEX RECOMMENDS THE USE OF MICRO-FIT TEST PLUG (SERIES 44242) WHENEVER CONTINUITY TESTING IS PERFORMED. TEST PLUGS MUST NOT BE USED TO MAKE OR BREAK UNDER LOAD. MOLEX DOES NOT RECOMMEND USING STANDARD MATING COMPONENTS (SERIES 44428, 44432, 44300 OR 45280) FOR HARNESS TESTING PURPOSES.
 11. PART CONFORMS TO CLASS 'B' REQUIREMENTS OF COSMETIC SPECIFICATION PS-45499-002. SOME HOUSINGS MAY HAVE A SMALL GATE BLEMISH NEAR THE GATE LOCATION THAT DOES NOT AFFECT FUNCTIONALITY. HOUSINGS MAY EXHIBIT A SURFACE IMPERFECTION KNOW AS "SINK MARKS" UP TO 0.60/.024 MAX. THIS IS A COSMETIC DEFECT AND DOES NOT EFFECT FUNCTION OF THE CONNECTOR.
 12. THE WIDTH OF THE NARROW SLOTS SHOULD BE 2.90-3.28/.114-.129 (MIN-MAX) IF KEYING OF THE CONNECTOR TO THE CUT-OUT IS DESIRED.

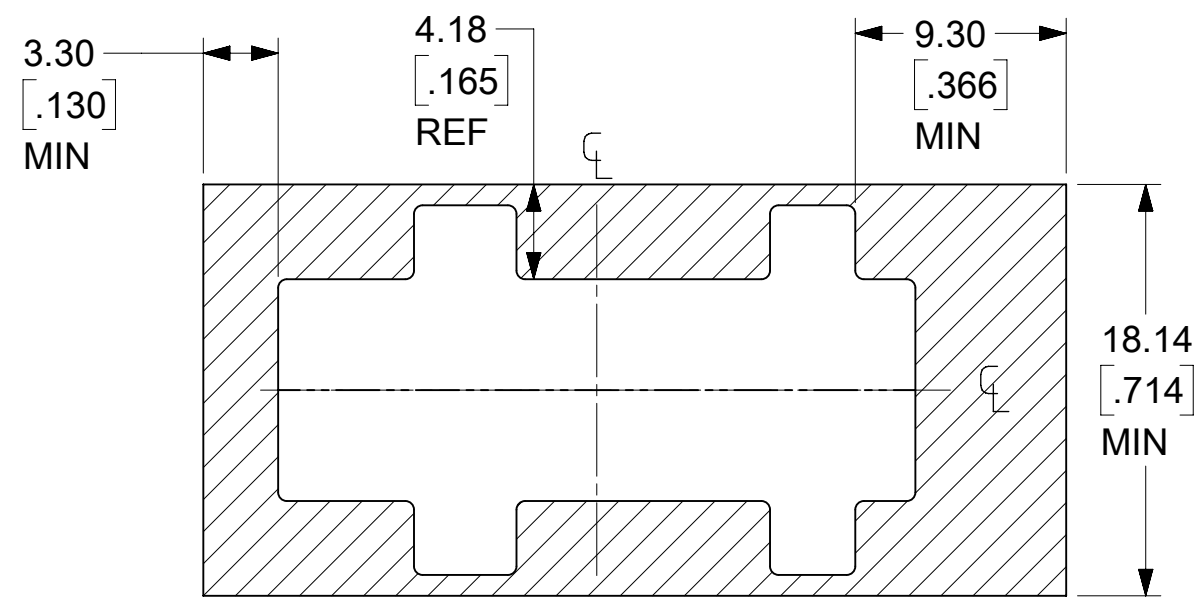
FUNCTIONAL SYMBOLS	THIS DRAWING CONTAINS INFORMATION THAT IS PROPRIETARY TO MOLEX ELECTRONIC TECHNOLOGIES, LLC AND SHOULD NOT BE USED WITHOUT WRITTEN PERMISSION		CURRENT REV DESC: ADD KEEPOUT, 6.67 DIM IN PANEL	
	DIMENSION UNITS	SCALE		
$\frac{F}{A} = 0$	MM/INCH	NTS		
$\frac{F}{C} = 0$	GENERAL TOLERANCES (UNLESS SPECIFIED)			
$\frac{F}{P} = 0$		MM	INCH	
DIVISIONAL SYMBOLS	4 PLACES	±	±	
	3 PLACES	±	± 0.01	
	2 PLACES	± 0.25	± 0.014	
	1 PLACE	± 0.35	±	
	0 PLACES	±	±	
	ANGULAR TOL	± 0.5 °		
DRAFT WHERE APPLICABLE MUST REMAIN WITHIN DIMENSIONS		THIRD ANGLE PROJECTION	DRAWING	SERIES
			C-SIZE	44133

EC NO: 660931		2020/12/03	
DRWN: MKIPPER		2021/07/16	
CHK'D: JEHRISMAN		2021/07/19	
APPR: FSMITH			
INITIAL REVISION:			
DRWN: ESOMMER		1998/09/30	
APPR: REDGLEY		2000/07/31	

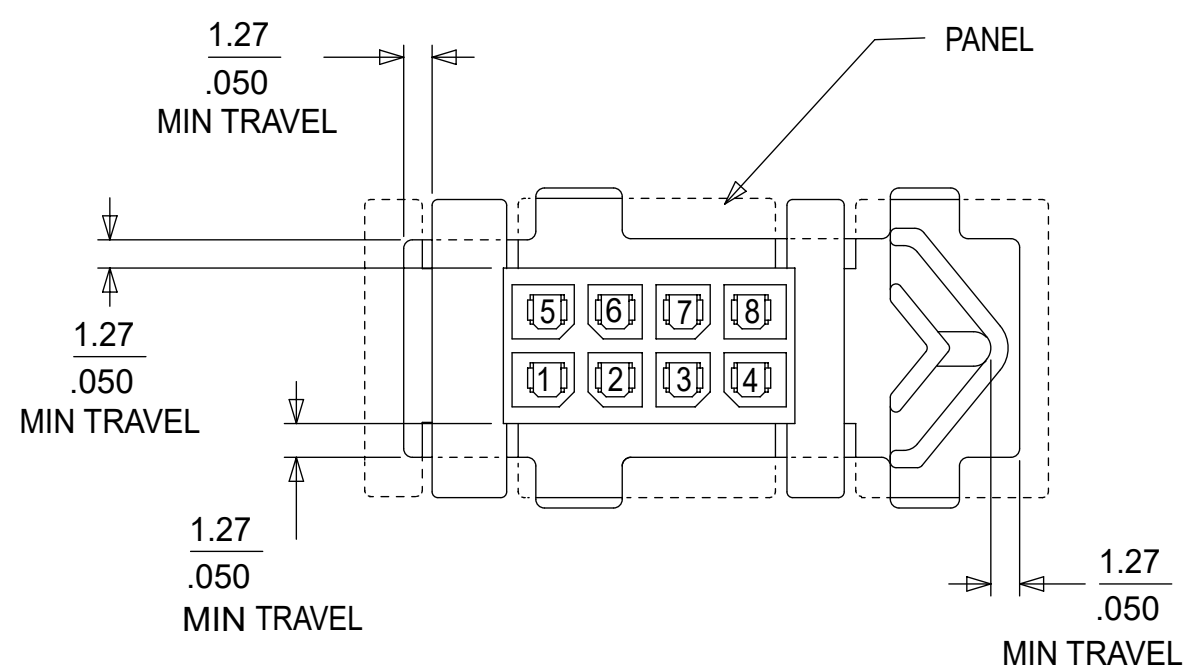
DOCUMENT NUMBER		DOC TYPE	DOC PART	REVISION
SD-44133-001		PSD	001	L6
MATERIAL NUMBER	CUSTOMER	SHEET NUMBER		
	GENERAL MARKET	1 OF 2		



RECOMMENDED PANEL CUTOUT
(SEE NOTES 7, 9, AND 12)



KEEPOUT AREA



RECEPTACLE SHOWN MOUNTED IN PANEL

CIRCUIT SIZE	DIM "G"	DIM "H"
4	$\frac{13.46}{.530}$	$\frac{22.10}{.870}$
6	$\frac{16.46}{.648}$	$\frac{25.10}{.988}$
8	$\frac{19.46}{.766}$	$\frac{28.10}{1.106}$
10	$\frac{22.46}{.884}$	$\frac{31.10}{1.224}$
12	$\frac{25.46}{1.002}$	$\frac{34.10}{1.343}$
14	$\frac{28.46}{1.120}$	$\frac{37.10}{1.461}$
16	$\frac{31.46}{1.239}$	$\frac{40.10}{1.579}$
18	$\frac{34.46}{1.357}$	$\frac{43.10}{1.697}$
20	$\frac{37.46}{1.475}$	$\frac{46.10}{1.815}$
22	$\frac{40.46}{1.593}$	$\frac{49.10}{1.933}$
24	$\frac{43.46}{1.711}$	$\frac{52.10}{2.051}$

FUNCTIONAL SYMBOLS	THIS DRAWING CONTAINS INFORMATION THAT IS PROPRIETARY TO MOLEX ELECTRONIC TECHNOLOGIES, LLC AND SHOULD NOT BE USED WITHOUT WRITTEN PERMISSION										
	DIMENSION UNITS	SCALE		CURRENT REV DESC: ADD KEEPOUT, 6.67 DIM IN PANEL							
$\frac{F}{A} = 0$	MM/INCH	NTS		EC NO: 660931 DRWN: MKIPPER 2020/12/03 CHK'D: JEHRISMAN 2021/07/16 APPR: FSMITH 2021/07/19							
$\frac{F}{C} = 0$	GENERAL TOLERANCES (UNLESS SPECIFIED)									INITIAL REVISION: DRWN: ESOMMER 1998/09/30 APPR: REDGLEY 2000/07/31	
$\frac{F}{P} = 0$	4 PLACES ±			DRAFT WHERE APPLICABLE MUST REMAIN WITHIN DIMENSIONS THIRD ANGLE PROJECTION DRAWING: C-SIZE SERIES: 44133							
DIVISIONAL SYMBOLS	3 PLACES ±									DRAFT WHERE APPLICABLE MUST REMAIN WITHIN DIMENSIONS THIRD ANGLE PROJECTION DRAWING: C-SIZE SERIES: 44133	
	2 PLACES ± 0.25 ± 0.014			DRAFT WHERE APPLICABLE MUST REMAIN WITHIN DIMENSIONS THIRD ANGLE PROJECTION DRAWING: C-SIZE SERIES: 44133							
	1 PLACE ± 0.35 ±									DRAFT WHERE APPLICABLE MUST REMAIN WITHIN DIMENSIONS THIRD ANGLE PROJECTION DRAWING: C-SIZE SERIES: 44133	
	0 PLACES ±			DRAFT WHERE APPLICABLE MUST REMAIN WITHIN DIMENSIONS THIRD ANGLE PROJECTION DRAWING: C-SIZE SERIES: 44133							
	ANGULAR TOL ± 0.5 °									DRAFT WHERE APPLICABLE MUST REMAIN WITHIN DIMENSIONS THIRD ANGLE PROJECTION DRAWING: C-SIZE SERIES: 44133	
	DRAFT WHERE APPLICABLE MUST REMAIN WITHIN DIMENSIONS			DRAFT WHERE APPLICABLE MUST REMAIN WITHIN DIMENSIONS THIRD ANGLE PROJECTION DRAWING: C-SIZE SERIES: 44133							
	THIRD ANGLE PROJECTION									DRAFT WHERE APPLICABLE MUST REMAIN WITHIN DIMENSIONS THIRD ANGLE PROJECTION DRAWING: C-SIZE SERIES: 44133	
	DRAWING			DRAFT WHERE APPLICABLE MUST REMAIN WITHIN DIMENSIONS THIRD ANGLE PROJECTION DRAWING: C-SIZE SERIES: 44133							
	SERIES									DRAFT WHERE APPLICABLE MUST REMAIN WITHIN DIMENSIONS THIRD ANGLE PROJECTION DRAWING: C-SIZE SERIES: 44133	
	MATERIAL NUMBER			DRAFT WHERE APPLICABLE MUST REMAIN WITHIN DIMENSIONS THIRD ANGLE PROJECTION DRAWING: C-SIZE SERIES: 44133							
	CUSTOMER									DRAFT WHERE APPLICABLE MUST REMAIN WITHIN DIMENSIONS THIRD ANGLE PROJECTION DRAWING: C-SIZE SERIES: 44133	
	SHEET NUMBER			DRAFT WHERE APPLICABLE MUST REMAIN WITHIN DIMENSIONS THIRD ANGLE PROJECTION DRAWING: C-SIZE SERIES: 44133							
	GENERAL MARKET									DRAFT WHERE APPLICABLE MUST REMAIN WITHIN DIMENSIONS THIRD ANGLE PROJECTION DRAWING: C-SIZE SERIES: 44133	
	2 OF 2			DRAFT WHERE APPLICABLE MUST REMAIN WITHIN DIMENSIONS THIRD ANGLE PROJECTION DRAWING: C-SIZE SERIES: 44133							