



产品编号 : 442480085

系列号 : 44248

Product Category : Modular Jacks and Plugs

Product Description : Modular Jack, Right-Angle, Low Profile, Inverted, 8/8, 2 Ports

状态 : Active

文件和资源

图纸

[图纸 442480085_sd.pdf](#)

[包装设计图 PK-44248-004-001.pdf](#)

3D 模型和设计文件


[3D模型 442480085_stp.zip](#)

规格

[产品规格 PS-43860-003-001.pdf](#)

产物环境合规

合规

GADSL/IMDS	Not Relevant
China RoHS	
EU ELV	Not Relevant
Low-Halogen Status	Not Low-Halogen per IEC 61249-2-21
REACH SVHC	Not Contained per D(2023)8585-DC (23 Jan 2024)
EU RoHS	Compliant per EU 2015/863

多部分产品合规性声明

- Eu RoHS
- REACH SVHC
- Low-Halogen

- IPC 1752A Class C
- IPC 1752A Class D
- Molex Product Compliance Declaration
- IEC-62474
- chemSHERPA (xml)

产品详情

常规

状态	活动
类别	Modular Jacks and Plugs
系列	44248
说明	Modular Jack, Right-Angle, Low Profile, Inverted, 8/8, 2 Ports
个评论	Industry Compatible
元件类型	PCB Jack
磁性的	否
性能分类	3
以太网电源 (PoE)	不适用
产品系列	Magnetic and Modular Jacks/Plugs
产品名称	Modular Jack 8/8, RJ45
UPC	800753131170

机构

CSA	LR19980
UL	E107635

电气

每触点最大电流	1.5A
PCB接地	是
屏蔽	是
电压 - 最大	150V AC (RMS)

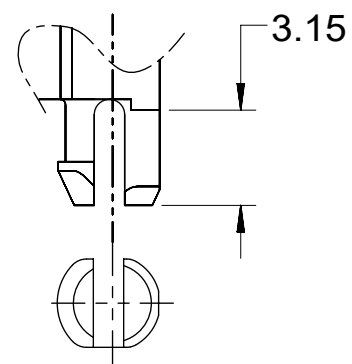
物理

衬套颜色	不适用
颜色-树脂	黑色
耐用性(插拔次数) - 最多次数	500
阻燃性	94V-0
向下 / 向上锁闩	是
插孔高度	13.45mm

光管/发光二极管	无
材料 - 金属	Phosphor Bronze
材料 - 接合部位电镀	金牌
材料 - 终端电镀	Tin
材料 - 树脂	Polyester
净重	6.360/g
方向	Right Angle (Side Entry)
包装形式	Tray
PCB 定位器	是
PCB 保持力	是
推荐的 PCB 厚度	1.57mm
间距 - 插配接口	1.02mm
间距 - 终端界面	1.02mm
最薄镀层 - 接合部位	1.270µm
最薄镀层 - 端接	2.540µm
端口配置	1x2
位置/插入的接头	8/8
运行温度范围	-40° to +85° C
终端界面类型	Through Hole
防水/防尘	否
导线/电缆型号	不适用

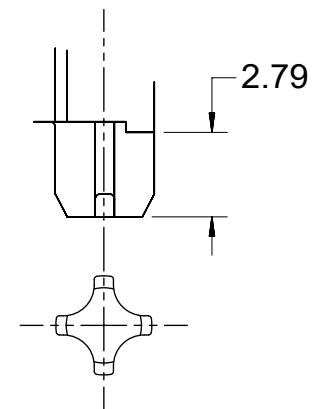
进程

最长持续时间	5
无铅	WAVE
最大周期	1
最高温度	260



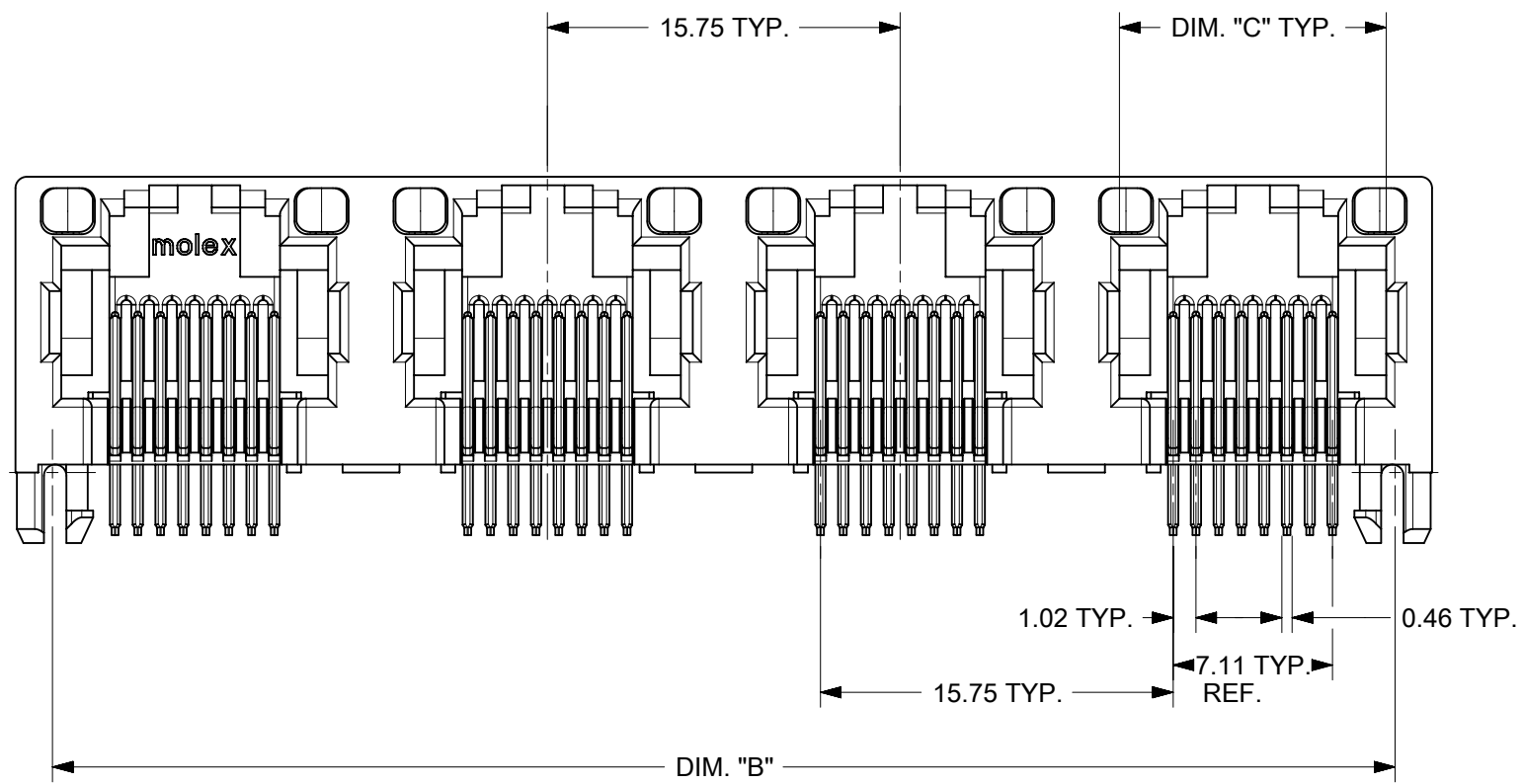
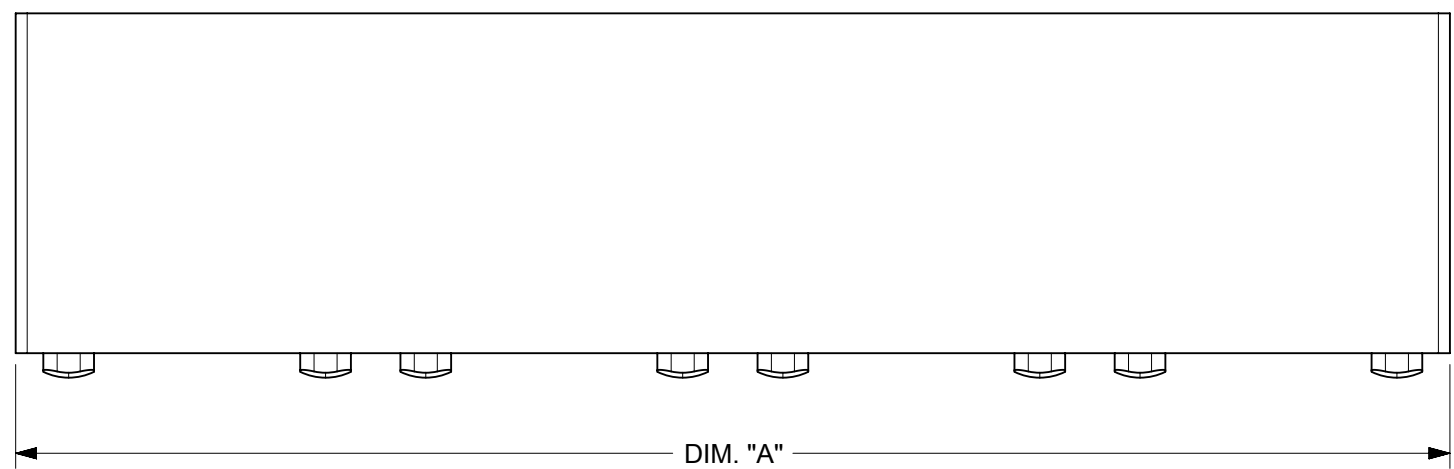
SNAP-FIT PEG OPTION

SCALE: NTS
SEE NOTE 8

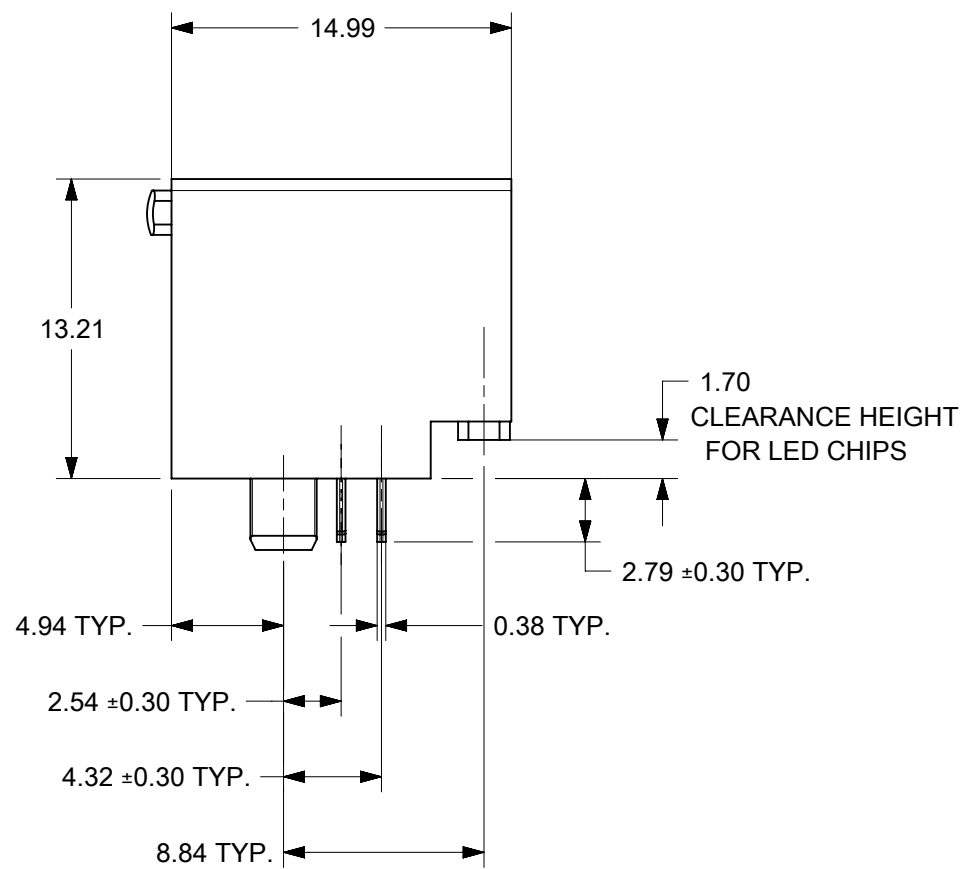


PRESS-FIT PEG OPTION

SCALE: NTS
SEE NOTE 8



**UNSHIELDED
WITH LIGHT PIPES**



8 CIRCUIT HOUSING(S)

X = NOT TOOLED	ASSEMBLY MAT'L NUM	NUM OF CIRCUITS	NUM OF PORTS	PEG STYLE	DIM "A"	DIM "B"	DIM "C"
	44248-0001	8	2	SNAP-FIT	31.75	28.45	11.92
X	44248-0002	8	4	SNAP-FIT	63.25	59.94	11.92
X	44248-0005	8	2	PRESS-FIT	31.75	28.45	11.92
X	44248-0006	8	4	PRESS-FIT	63.25	59.94	11.92

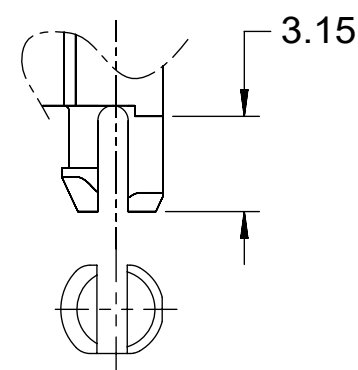
6 CIRCUIT HOUSING(S)

X = NOT TOOLED	ASSEMBLY MAT'L NUM	NUM OF CIRCUITS	NUM OF PORTS	PEG STYLE	DIM "A"	DIM "B"	DIM "C"
X	44248-0009	6	2	SNAP-FIT	31.75	28.45	9.88
X	44248-0010	4	2	SNAP-FIT	31.75	28.45	9.88
X	44248-0011	6	4	SNAP-FIT	63.25	59.94	9.88
X	44248-0012	4	4	SNAP-FIT	63.25	59.94	9.88
X	44248-0017	6	2	PRESS-FIT	31.75	28.45	9.88
X	44248-0018	4	2	PRESS-FIT	31.75	28.45	9.88
X	44248-0019	6	4	PRESS-FIT	63.25	59.94	9.88
X	44248-0020	4	4	PRESS-FIT	63.25	59.94	9.88

- NOTES:
- MATERIAL:
HOUSING: POLYESTER(PBT), GLASS FILLED, UL94V-0, COLOR: BLACK
LIGHT PIPES: POLYCARBONATE, UL-94V2, COLOR: CLEAR
TERMINALS: PHOSPHOR BRONZE
 - FINISH:
TERMINALS:
SELECT GOLD IN CONTACT AREA: 1.27 MICROMETERS MIN.,
SELECT TIN IN PC TAIL AREA: 2.54 MICROMETERS MIN.,
WITH OVERALL NICKEL UNDERPLATE: 1.27 MICROMETERS MIN.
 - PRODUCT SPECIFICATION AND PROCESSING PARAMETERS: PS-43860-003.
 - PACKAGING SPECIFICATION:
CONNECTOR ASSEMBLIES IN THERMOFORMED TRAYS PER MOLEX PACKAGING SPECIFICATION PK-44248-004.
 - APPLICATION SPECIFICATION: AS-43860-001
 - ALL UNTOLERANCED DIMENSIONS ARE SHOWN FOR REFERENCE ONLY.
 - CONFORMS TO FCC REGULATION PART 68.5 FOR MODULAR JACKS.
 - MODJACKS AVAILABLE WITH EITHER SNAP-FIT OR PRESS-FIT PEGS.
THIS DRAWING SHOWS SNAP-FIT PEGS.
 - PCB LAYOUT AND PANEL CUT-OUT SHOWN ON SHEETS (5) AND (6).
 - THIS PART CONFORMS TO CLASS B REQUIREMENTS OF COSMETIC SPECIFICATION PS-45499-002.

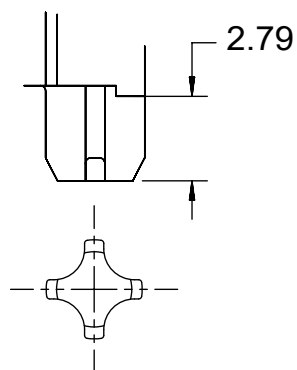
FUNCTIONAL SYMBOLS	THIS DRAWING CONTAINS INFORMATION THAT IS PROPRIETARY TO MOLEX ELECTRONIC TECHNOLOGIES, LLC AND SHOULD NOT BE USED WITHOUT WRITTEN PERMISSION		CURRENT REV DESC: MIGRATION.		molex
	DIMENSION UNITS	SCALE			
$\frac{F}{A} = 0$	mm	3:1			GANGED INVERTED MODJACK ASSEMBLY
$\frac{F}{C} = 0$	GENERAL TOLERANCES (UNLESS SPECIFIED)				
$\frac{F}{P} = 0$	ANGULAR TOL $\pm 0.5^\circ$				PRODUCT CUSTOMER DRAWING
DIVISIONAL SYMBOLS	4 PLACES	\pm	EC NO: 708533	2022/05/26	
	3 PLACES	\pm	DRWN: FAYEW	2022/06/29	
	2 PLACES	± 0.25	CHK'D: KLANG	2022/06/29	
	1 PLACE	\pm	APPR: KLANG		
	0 PLACES	\pm	INITIAL REVISION:		
	DRAFT WHERE APPLICABLE MUST REMAIN WITHIN DIMENSIONS		DRWN: FAYEW	2022/05/26	
	THIRD ANGLE PROJECTION		APPR: KLANG	2022/06/29	
	DRAWING	SERIES	MATERIAL NUMBER	CUSTOMER	DOCUMENT NUMBER
	C-SIZE	44248	SEE CHART	GENERAL MARKET	442480001
					DOC TYPE
					PSD
					DOC PART
					000
					REVISION
					C7
					SHEET NUMBER
					1 OF 6

PREVIOUS DRAWING: SD-44248-001



SNAP-FIT PEG OPTION

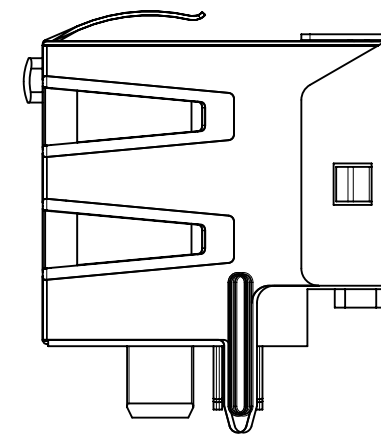
SCALE: NTS
SEE NOTE 8



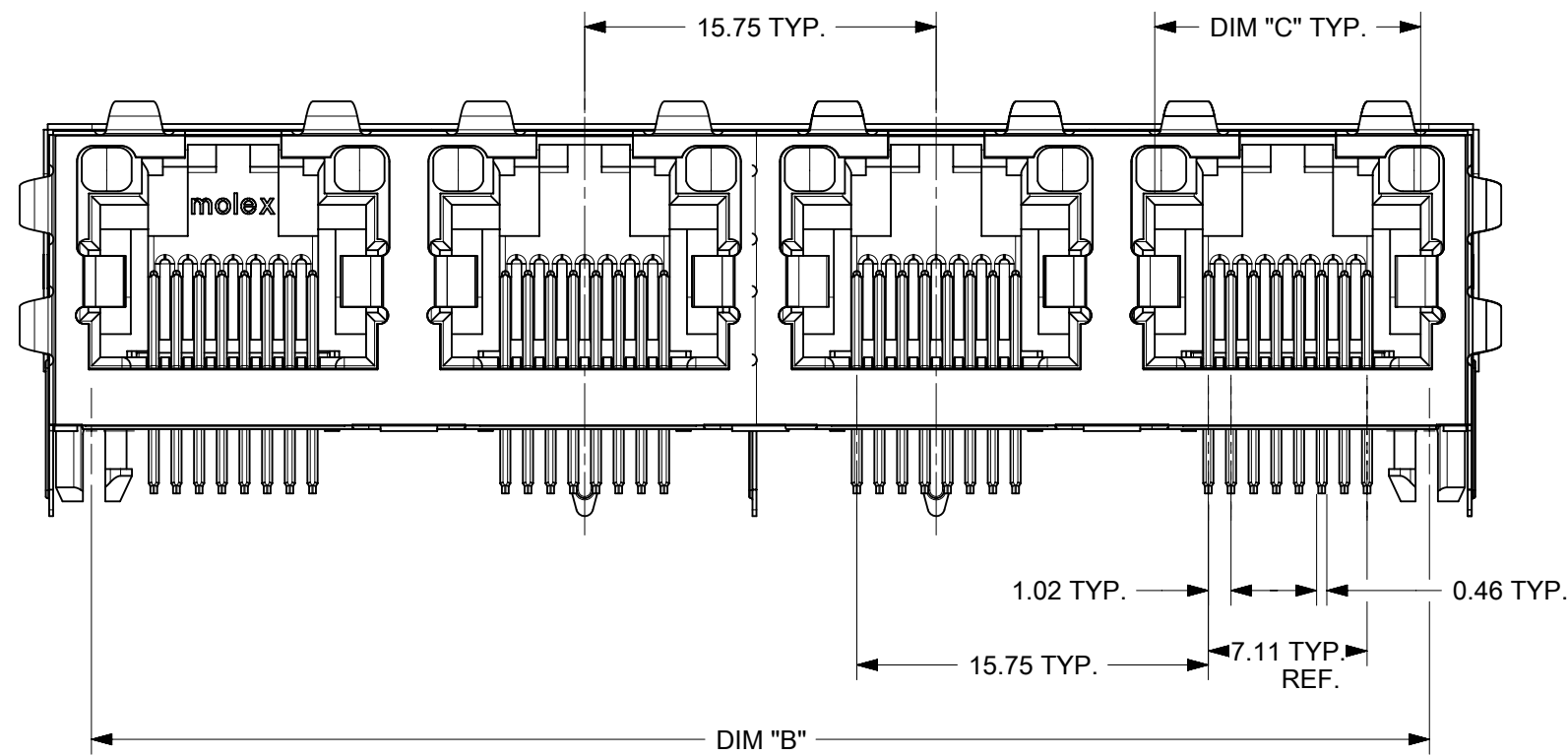
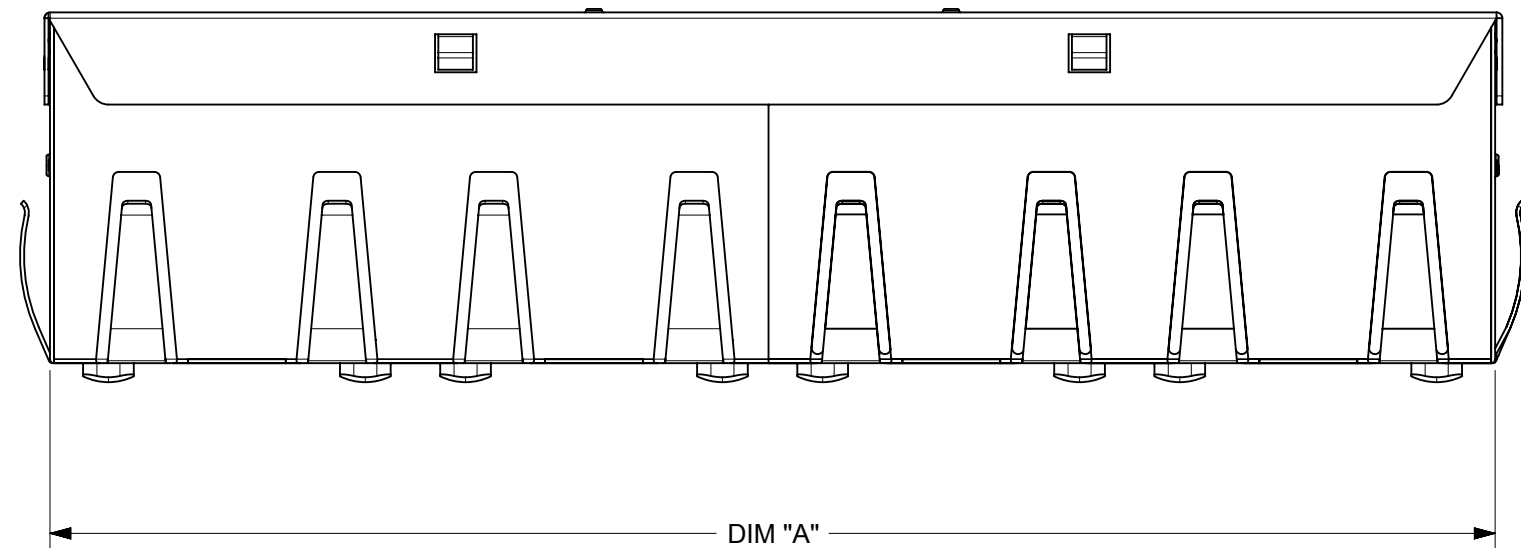
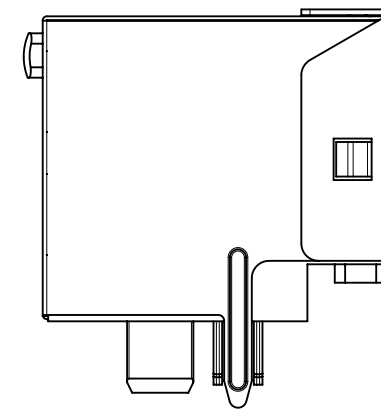
PRESS-FIT PEG OPTION

SCALE: NTS
SEE NOTE 8

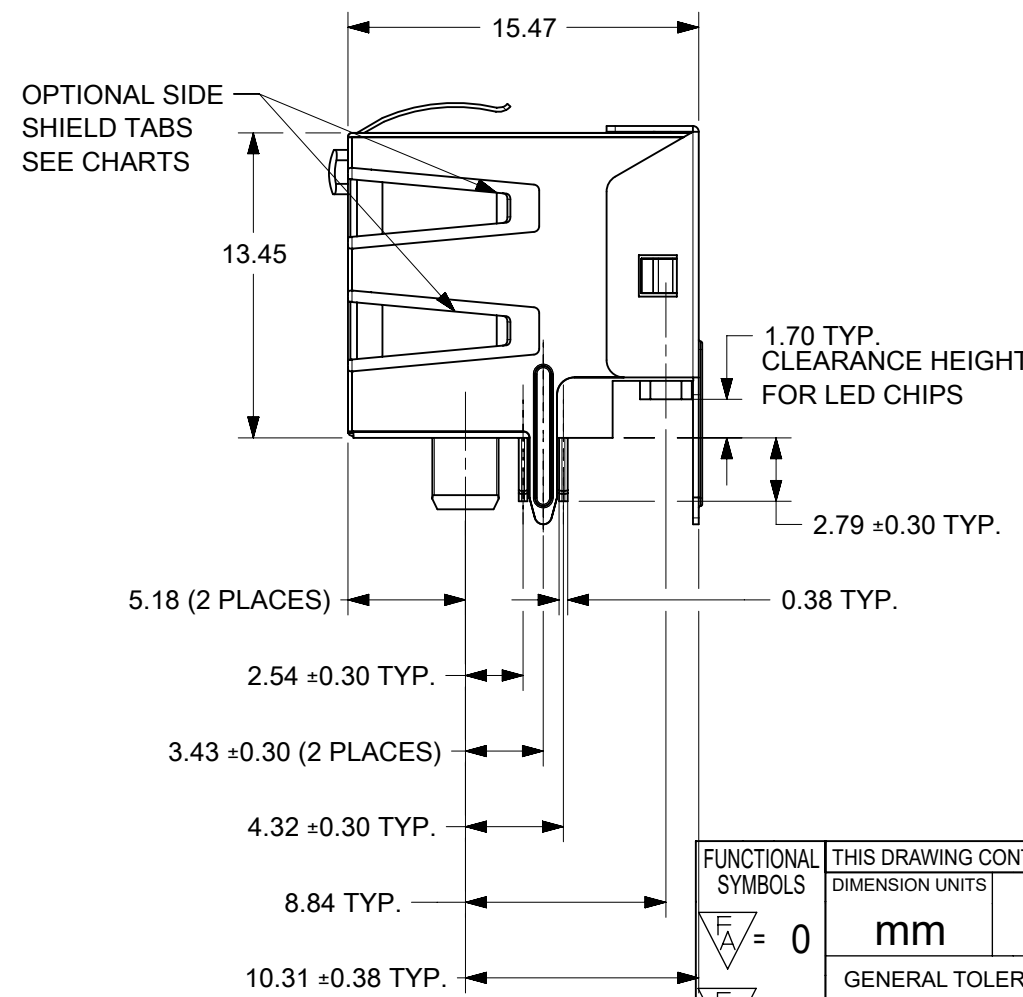
**SIDE SHIELD
TAB OPTION A**



**SIDE SHIELD
TAB OPTION B**



**SHIELDED
WITH LIGHT PIPES**



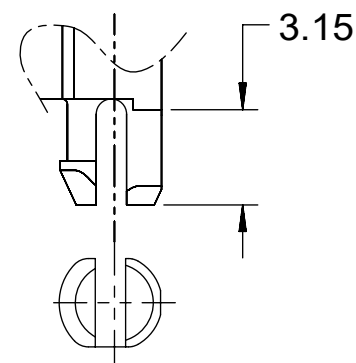
(8) CIRCUIT HOUSING(S)								
X = NOT TOOLED	ASSEMBLY MATERIAL NUMBER	NUMBER OF CIRCUITS	NUMBER OF PORTS	PEG STYLE	SIDE SHIELD TAB OPTION	DIM "A"	DIM "B"	DIM "C"
	44248-0029	8	2	SNAP-FIT	A	32.36	28.45	11.92
	44248-0030	8	4	SNAP-FIT	A	63.86	59.94	11.92
	44248-0033	8	2	PRESS-FIT	A	32.36	28.45	11.92
	44248-0034	8	4	PRESS-FIT	A	63.86	59.94	11.92

(6) CIRCUIT HOUSING(S)								
X = NOT TOOLED	ASSEMBLY MATERIAL NUMBER	NUMBER OF CIRCUITS	NUMBER OF PORTS	PEG STYLE	SIDE SHIELD TAB OPTION	DIM "A"	DIM "B"	DIM "C"
X	44248-0037	6	2	SNAP-FIT	A	32.36	28.45	9.88
X	44248-0038	4	2	SNAP-FIT	A	32.36	28.45	9.88
X	44248-0039	6	4	SNAP-FIT	A	63.86	59.94	9.88
X	44248-0040	4	4	SNAP-FIT	A	63.86	59.94	9.88
X	44248-0045	6	2	PRESS-FIT	A	32.36	28.45	9.88
X	44248-0046	4	2	PRESS-FIT	A	32.36	28.45	9.88
X	44248-0047	6	4	PRESS-FIT	A	63.86	59.94	9.88
X	44248-0048	4	4	PRESS-FIT	A	63.86	59.94	9.88

NOTES:

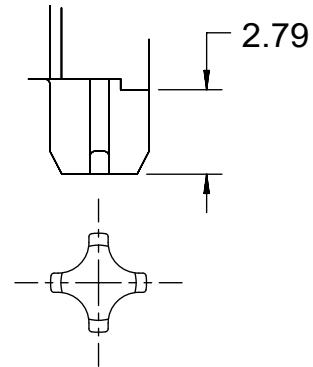
- MATERIAL:**
HOUSING: POLYESTER(PBT), GLASS FILLED, UL94V-0, COLOR: BLACK
LIGHT PIPES: POLYCARBONATE, UL-94V2, COLOR: CLEAR
TERMINALS: PHOSPHOR BRONZE
SHIELD: BRASS
- FINISH:**
TERMINALS:
SELECT GOLD IN CONTACT AREA: 1.27 MICROMETERS MIN.,
SELECT TIN IN PC TAIL AREA: 2.54 MICROMETERS MIN.,
WITH OVERALL NICKEL UNDERPLATE: 1.27 MICROMETERS MIN.
- SHIELD:**
2.54 MICROMETERS NICKEL OVER 1.27 MICROMETERS
COPPER UNDERPLATE PCB GROUND TABS DIPPED IN TIN
- PRODUCT SPECIFICATION AND PROCESSING PARAMETERS: PS-43860-003.**
- PACKAGING SPECIFICATION:**
CONNECTOR ASSEMBLIES IN THERMOFORMED TRAYS PER MOLEX PACKAGING SPECIFICATION PK-44248-004.
- APPLICATION SPECIFICATION: AS-43860-001**
- ALL UNTOLERANCED DIMENSIONS ARE SHOWN FOR REFERENCE ONLY.
- CONFORMS TO FCC REGULATION PART 68.5 FOR MODULAR JACKS.
- MODJACKS AVAILABLE WITH EITHER SNAP-FIT OR PRESS-FIT PEGS.
- THIS DRAWING SHOWS SNAP-FIT PEGS.
- PCB LAYOUT AND PANEL CUT-OUT SHOWN ON SHEETS (5) AND (6).
- THIS PART CONFORMS TO CLASS B REQUIREMENTS OF COSMETIC SPECIFICATION PS-45499-002.

FUNCTIONAL SYMBOLS		THIS DRAWING CONTAINS INFORMATION THAT IS PROPRIETARY TO MOLEX ELECTRONIC TECHNOLOGIES, LLC AND SHOULD NOT BE USED WITHOUT WRITTEN PERMISSION		CURRENT REV DESC: MIGRATION.		molex	
$\frac{F}{A} = 0$	DIMENSION UNITS	SCALE	EC NO: 708533				
$\frac{E}{C} = 0$	mm	3:1	DRWN: FAYEW			GANGED INVERTED MODJACK ASSEMBLY	
$\frac{E}{P} = 0$	GENERAL TOLERANCES (UNLESS SPECIFIED)		2022/05/26			PRODUCT CUSTOMER DRAWING	
DIVISIONAL SYMBOLS		ANGULAR TOL ± 0.5°	CHK'D: KLANG			DOCUMENT NUMBER	
4 PLACES ±		4 PLACES ±	APPR: KLANG			DOC TYPE DOC PART REVISION	
3 PLACES ±		3 PLACES ±	INITIAL REVISION:			442480001	
2 PLACES ± 0.25		2 PLACES ±	DRWN: FAYEW			PSD 000 C7	
1 PLACE ±		1 PLACE ±	APPR: KLANG			MATERIAL NUMBER CUSTOMER SHEET NUMBER	
0 PLACES ±		0 PLACES ±	THIRD ANGLE PROJECTION			SEE CHART GENERAL MARKET 2 OF 6	
DRAFT WHERE APPLICABLE MUST REMAIN WITHIN DIMENSIONS		DRAWING SERIES		C-SIZE 44248			



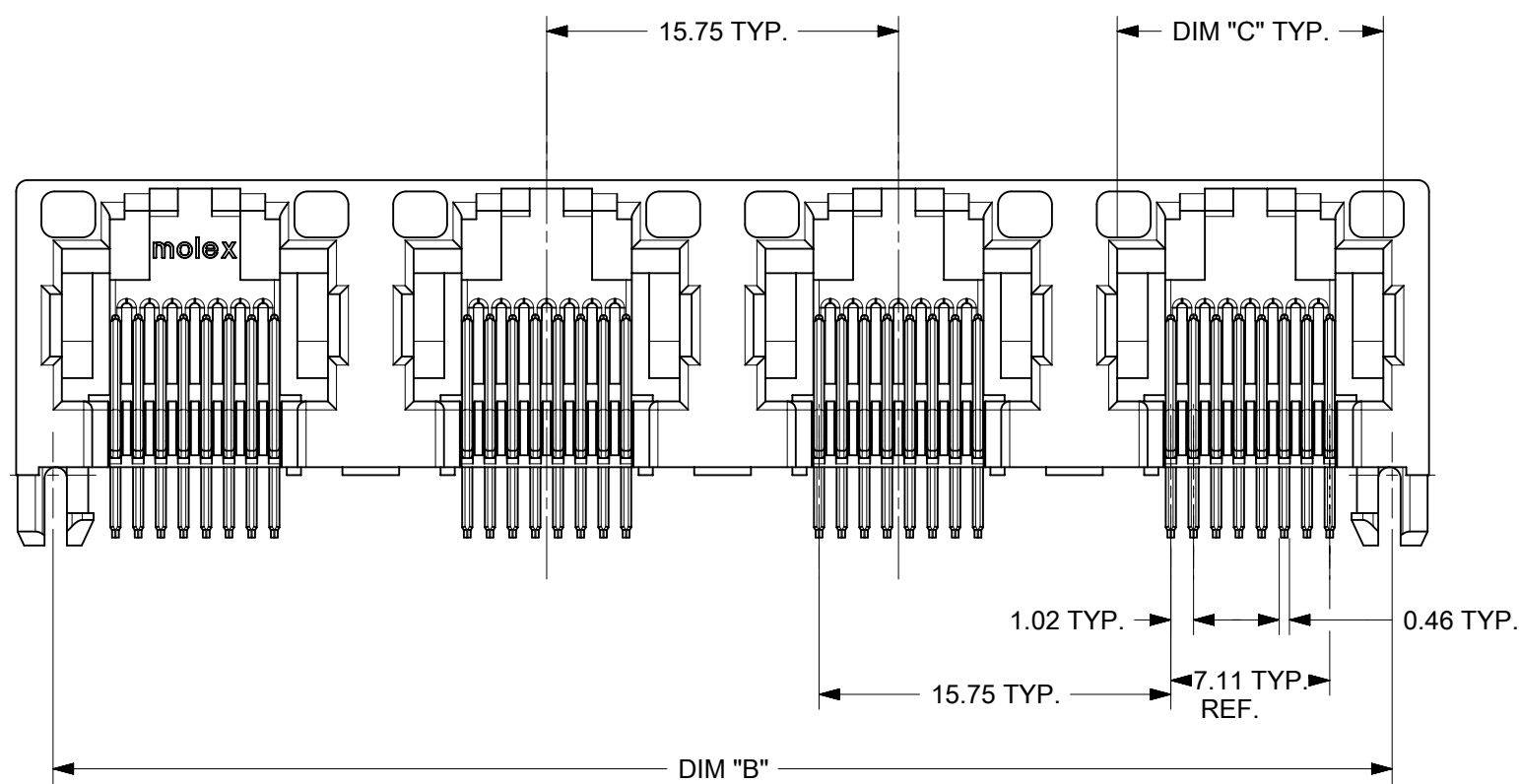
SNAP-FIT PEG OPTION

SCALE: NTS
SEE NOTE 7

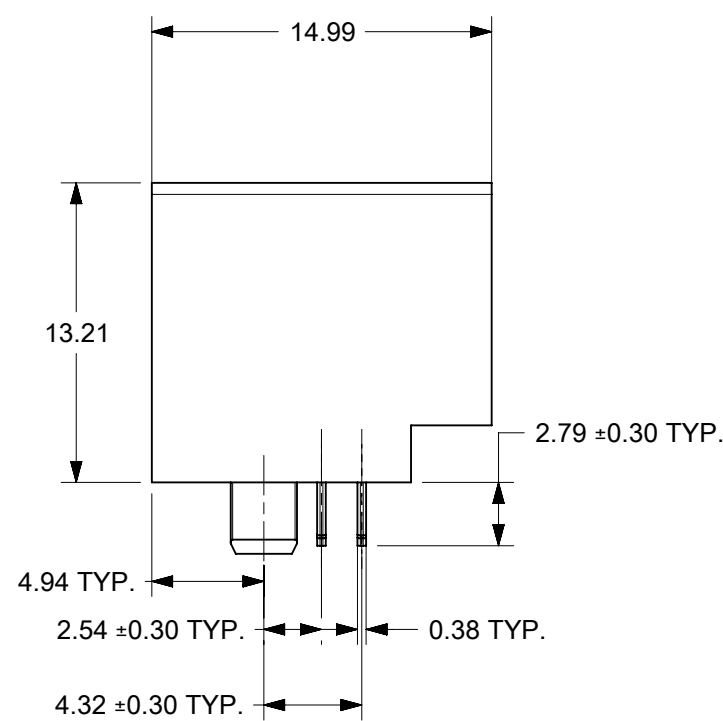


PRESS-FIT PEG OPTION

SCALE: NTS
SEE NOTE 7



UNSHIELDED



8 CIRCUIT HOUSING(S)

X = NOT TOOLED	ASSEMBLY MAT'L NUM	NUM OF CIRCUITS	NUM OF PORTS	PEG STYLE	DIM "A"	DIM "B"	DIM "C"
	44248-0057	8	2	SNAP-FIT	31.75	28.45	11.92
	44248-0058	8	4	SNAP-FIT	63.25	59.94	11.92
X	44248-0061	8	2	PRESS-FIT	31.75	28.45	11.92
X	44248-0062	8	4	PRESS-FIT	63.25	59.94	11.92

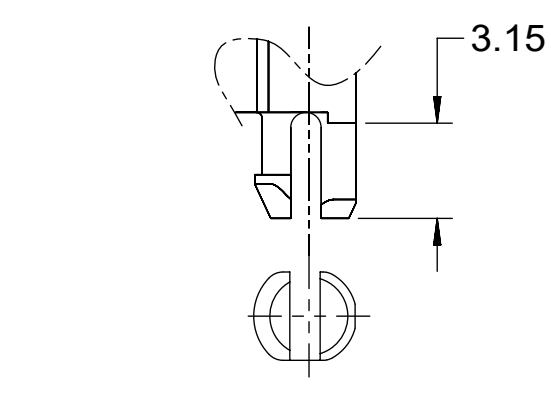
6 CIRCUIT HOUSING(S)

X = NOT TOOLED	ASSEMBLY MAT'L NUM	NUM OF CIRCUITS	NUM OF PORTS	PEG STYLE	DIM "A"	DIM "B"	DIM "C"
X	44248-0065	6	2	SNAP-FIT	31.75	28.45	9.88
X	44248-0066	4	2	SNAP-FIT	31.75	28.45	9.88
X	44248-0067	6	4	SNAP-FIT	63.25	59.94	9.88
X	44248-0068	4	4	SNAP-FIT	63.25	59.94	9.88
X	44248-0073	6	2	PRESS-FIT	31.75	28.45	9.88
X	44248-0074	4	2	PRESS-FIT	31.75	28.45	9.88
X	44248-0075	6	4	PRESS-FIT	63.25	59.94	9.88
X	44248-0076	4	4	PRESS-FIT	63.25	59.94	9.88

NOTES:

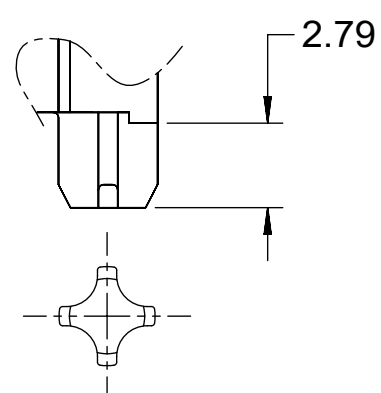
- MATERIAL:
HOUSING: POLYESTER(PBT), GLASS FILLED, UL94V-0, COLOR: BLACK
TERMINALS: PHOSPHOR BRONZE
- FINISH:
TERMINALS:
SELECT GOLD IN CONTACT AREA: 1.27 MICROMETERS MIN.,
SELECT TIN IN PC TAIL AREA: 2.54 MICROMETERS MIN.,
WITH OVERALL NICKEL UNDERPLATE: 1.27 MICROMETERS MIN.
- PRODUCT SPECIFICATION AND PROCESSING PARAMETERS: PS-43860-003.
- PACKAGING SPECIFICATION:
CONNECTOR ASSEMBLIES IN THERMOFORMED TRAYS PER MOLEX PACKAGING SPECIFICATION PK-44248-004.
- ALL UNTOLERANCED DIMENSIONS ARE SHOWN FOR REFERENCE ONLY.
- CONFORMS TO FCC REGULATION PART 68.5 FOR MODULAR JACKS.
- MODJACKS AVAILABLE WITH EITHER SNAP-FIT OR PRESS-FIT PEGS.
THIS DRAWING SHOWS SNAP-FIT PEGS.
- PCB LAYOUT AND PANEL CUT-OUT SHOWN ON SHEETS (5) AND (6).
- THIS PART CONFORMS TO CLASS B REQUIREMENTS OF COSMETIC SPECIFICATION PS-45499-002.

FUNCTIONAL SYMBOLS $\frac{F}{A} = 0$ $\frac{F}{C} = 0$ $\frac{F}{P} = 0$	THIS DRAWING CONTAINS INFORMATION THAT IS PROPRIETARY TO MOLEX ELECTRONIC TECHNOLOGIES, LLC AND SHOULD NOT BE USED WITHOUT WRITTEN PERMISSION		CURRENT REV DESC: MIGRATION.		
	DIMENSION UNITS	SCALE			
	GENERAL TOLERANCES (UNLESS SPECIFIED)				
	ANGULAR TOL ± 0.5°				
DIVISIONAL SYMBOLS 4 PLACES ± 3 PLACES ± 2 PLACES ± 0.25 1 PLACE ± 0 PLACES ±	mm	3:1			GANGED INVERTED MODJACK ASSEMBLY PRODUCT CUSTOMER DRAWING
			EC NO: 708533	2022/05/26	
			DRWN: FAYEW	2022/06/29	
			CHK'D: KLANG	2022/06/29	
		APPR: KLANG	2022/06/29		
		INITIAL REVISION:			
		DRWN: FAYEW	2022/05/26	DOCUMENT NUMBER	
		APPR: KLANG	2022/06/29	442480001	
		THIRD ANGLE PROJECTION		DOC TYPE	DOC PART
		DRAWING		PSD	000
		SERIES		C7	
		MATERIAL NUMBER		SHEET NUMBER	
		C-SIZE		SEE CHART	3 OF 6
		44248		GENERAL MARKET	



SNAP-FIT PEG OPTION

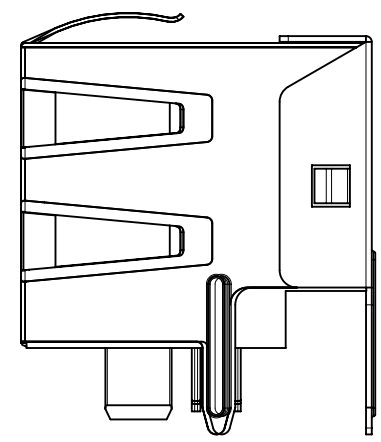
SCALE: NTS
SEE NOTE 7



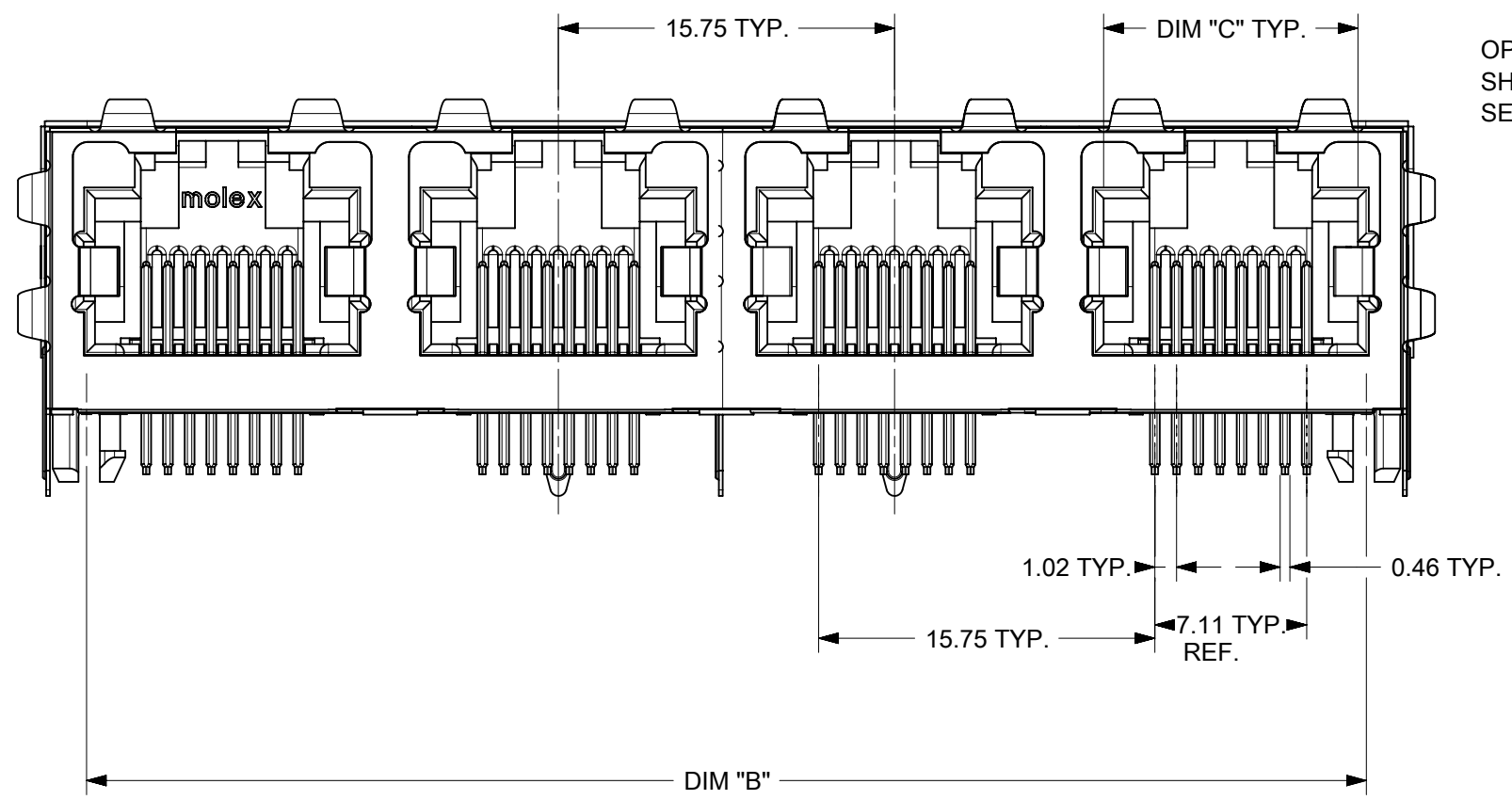
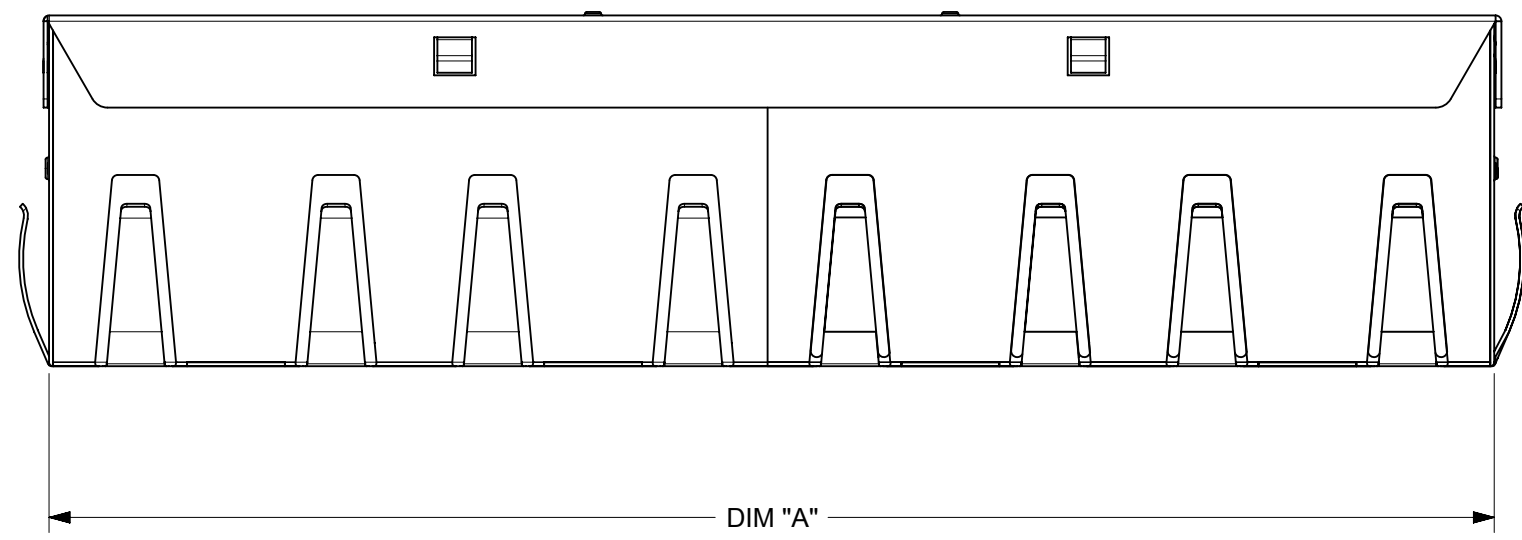
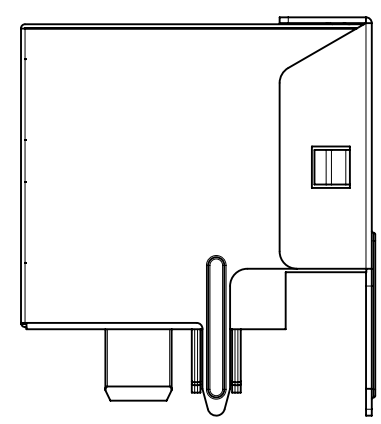
PRESS-FIT PEG OPTION

SCALE: NTS
SEE NOTE 7

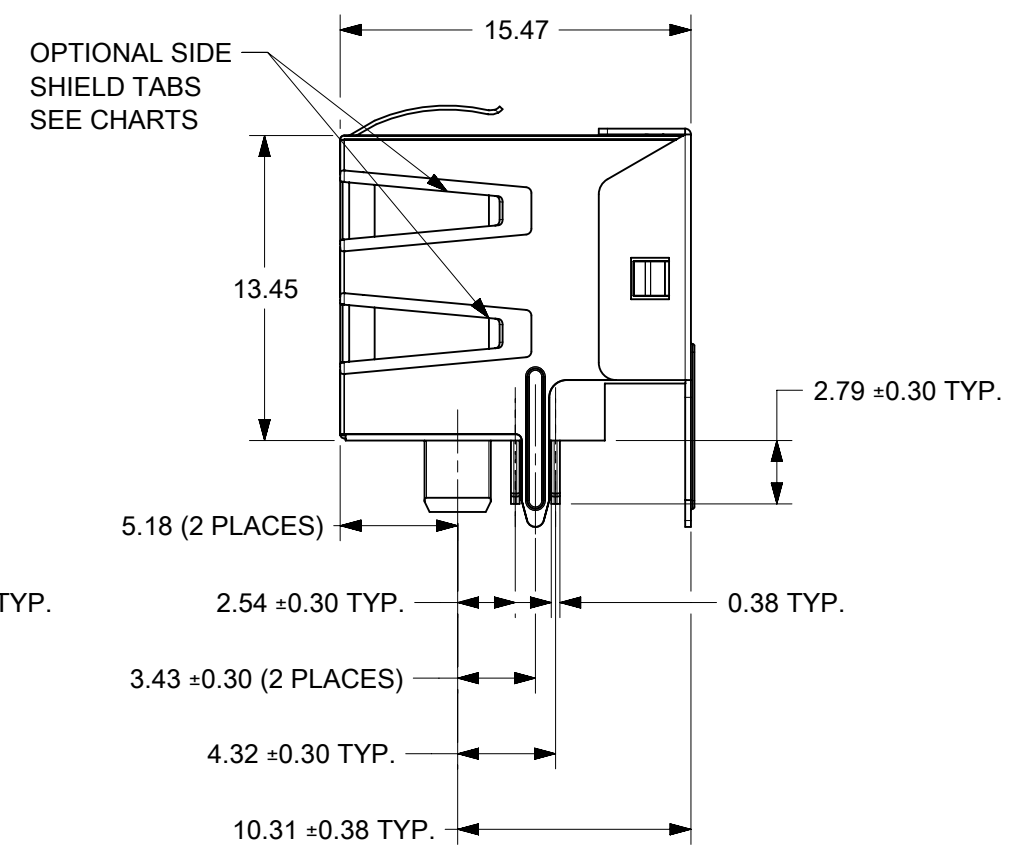
**SIDE SHIELD
TAB OPTION A**



**SIDE SHIELD
TAB OPTION B**



SHIELDED

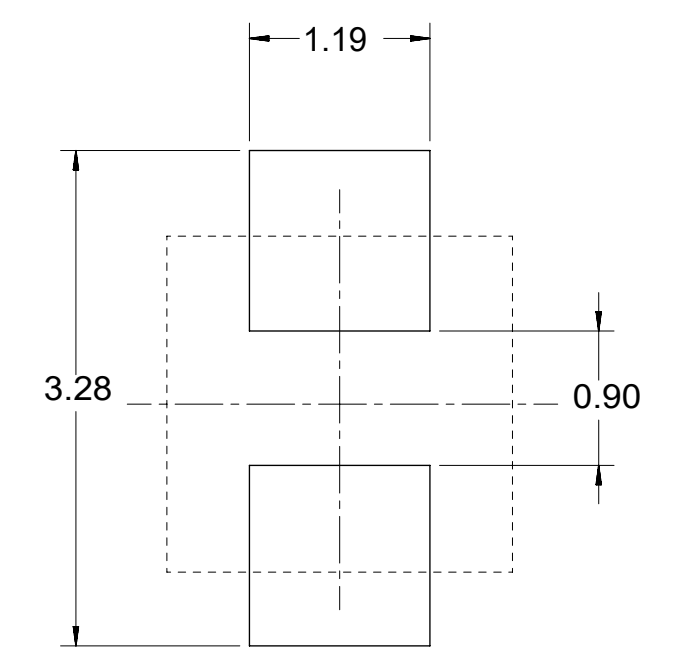
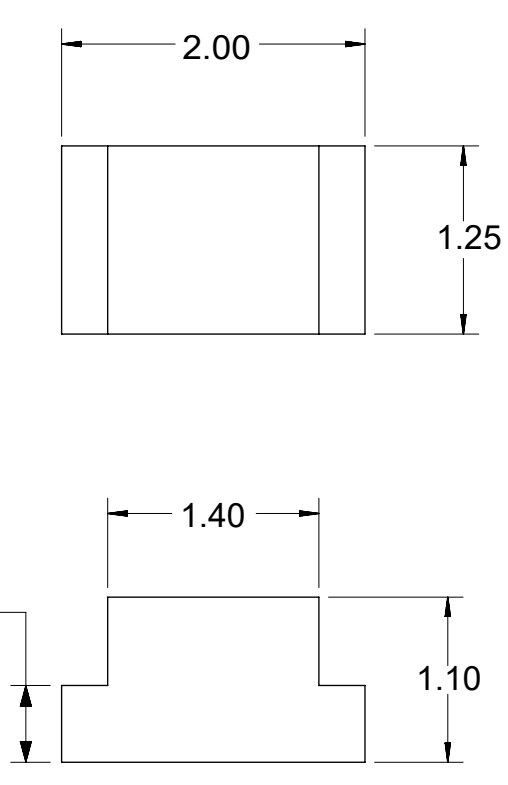
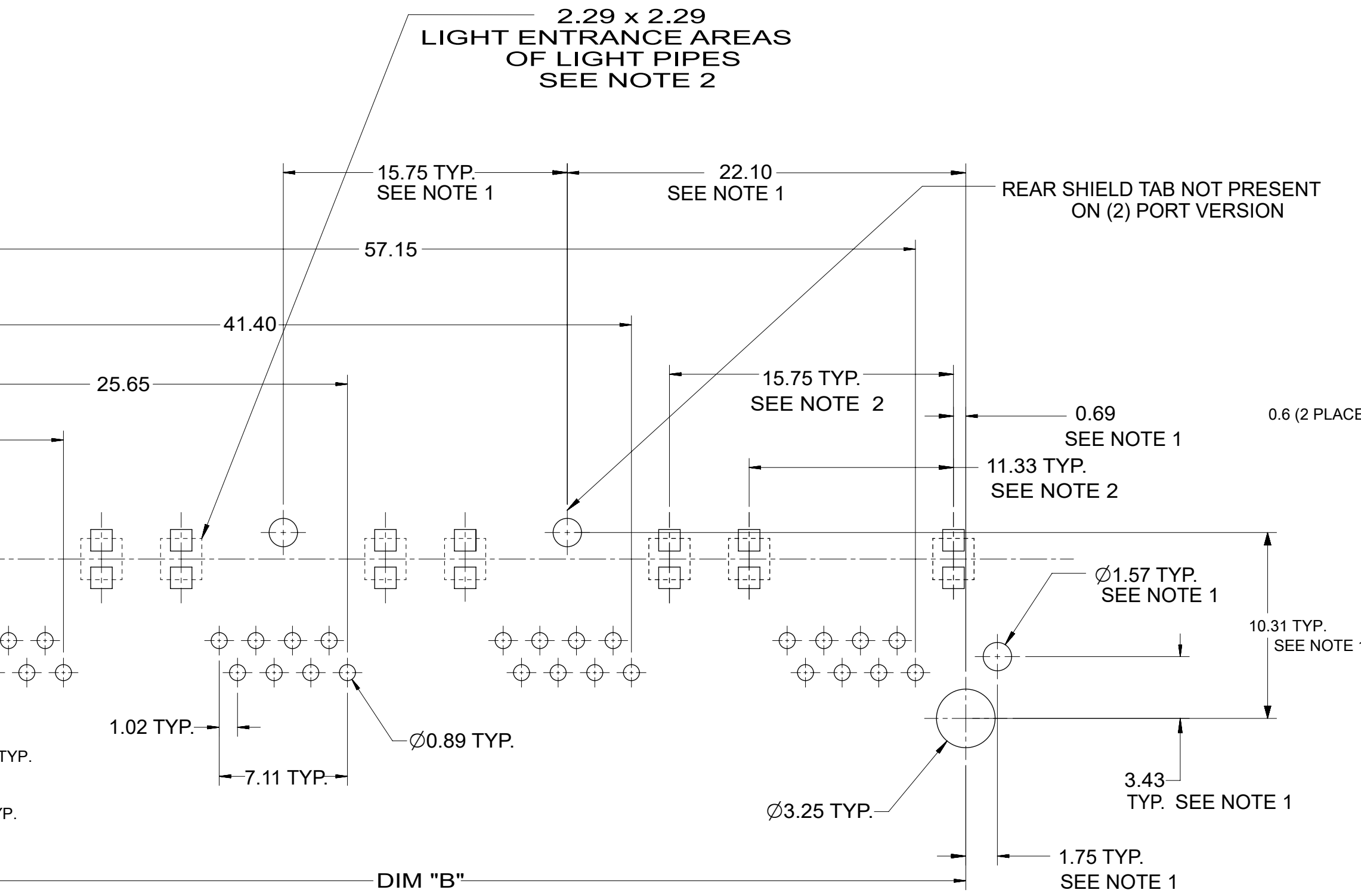


(8) CIRCUIT HOUSING(S)								
X = NOT TOOLED	ASSEMBLY MATERIAL NUMBER	NUMBER OF CIRCUITS	NUMBER OF PORTS	PEG STYLE	SIDE SHIELD TAB OPTION	DIM "A"	DIM "B"	DIM "C"
	44248-0085	8	2	SNAP-FIT	A	32.36	28.45	11.92
	44248-0086	8	4	SNAP-FIT	A	63.86	59.94	11.92
	44248-0089	8	2	PRESS-FIT	A	32.36	28.45	11.92
	44248-0090	8	4	PRESS-FIT	A	63.86	59.94	11.92
X	44248-0119	8	4	PRESS-FIT	B	63.86	59.94	11.92

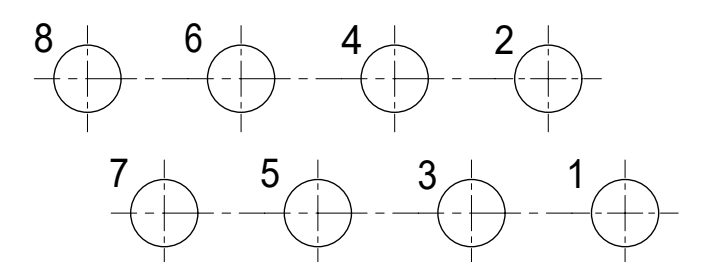
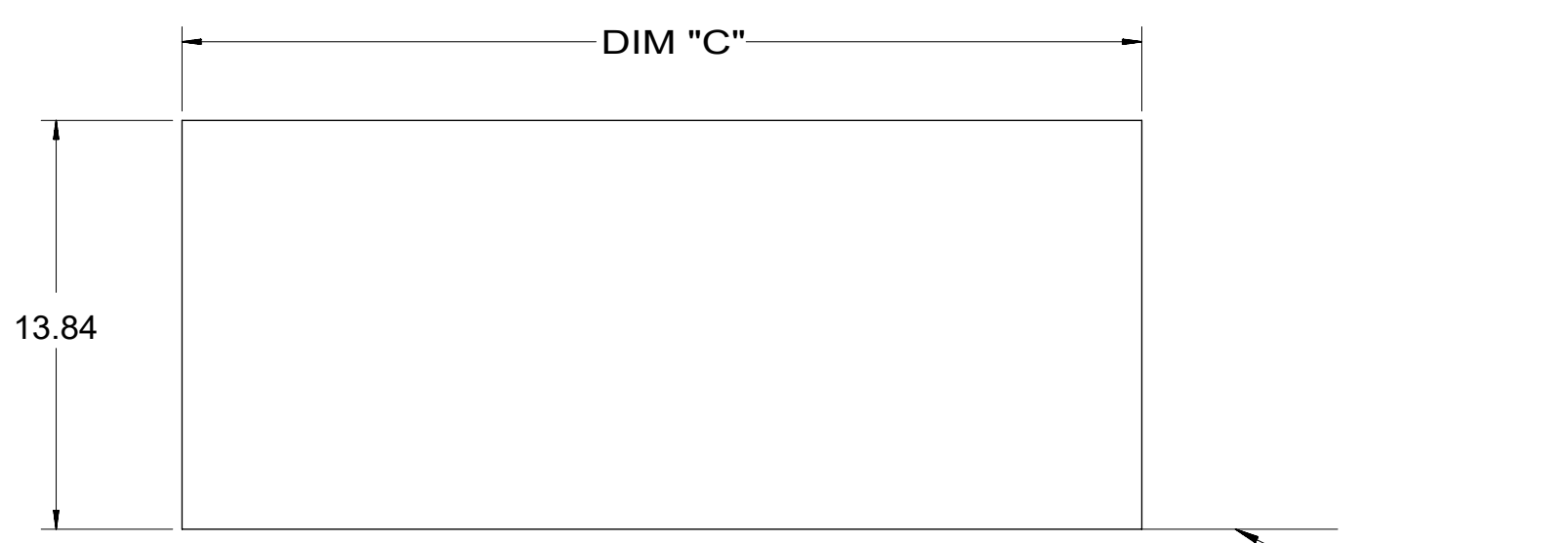
6 CIRCUIT HOUSING(S)								
X = NOT TOOLED	ASSEMBLY MAT'L NUM	NUM OF CIRCUITS	NUM OF PORTS	PEG STYLE	SIDE SHIELD TAB OPTION	DIM "A"	DIM "B"	DIM "C"
	44248-0093	6	2	SNAP-FIT	A	32.36	28.45	9.88
X	44248-0094	4	2	SNAP-FIT	A	32.36	28.45	9.88
	44248-0095	6	4	SNAP-FIT	A	63.86	59.94	9.88
X	44248-0096	4	4	SNAP-FIT	A	63.86	59.94	9.88
	44248-0101	6	2	PRESS-FIT	A	32.36	28.45	9.88
X	44248-0102	4	2	PRESS-FIT	A	32.36	28.45	9.88
X	44248-0103	6	4	PRESS-FIT	A	63.86	59.94	9.88
X	44248-0104	4	4	PRESS-FIT	A	63.86	59.94	9.88

- NOTES:
- MATERIAL:
HOUSING: POLYESTER(PBT), GLASS FILLED, UL94V-0, COLOR: BLACK
TERMINALS: PHOSPHOR BRONZE
SHIELD: BRASS
 - FINISH:
TERMINALS:
SELECT GOLD IN CONTACT AREA: 1.27 MICROMETERS MIN.,
SELECT TIN IN PC TAIL AREA: 2.54 MICROMETERS MIN.,
WITH OVERALL NICKEL UNDERPLATE: 1.27 MICROMETERS MIN.
SHIELD:
2.54 MICROMETERS NICKEL OVER 1.27 MICROMETERS
COPPER UNDERPLATE PCB GROUND TABS DIPPED IN TIN
 - PRODUCT SPECIFICATION AND PROCESSING PARAMETERS: PS-43860-003.
 - PACKAGING SPECIFICATION:
CONNECTOR ASSEMBLIES IN THERMOFORMED TRAYS PER MOLEX PACKAGING SPECIFICATION PK-44248-004.
 - ALL UNTOLERANCED DIMENSIONS ARE SHOWN FOR REFERENCE ONLY.
 - CONFORMS TO FCC REGULATION PART 68.5 FOR MODULAR JACKS.
 - MODJACKS AVAILABLE WITH EITHER SNAP-FIT OR PRESS-FIT PEGS.
THIS DRAWING SHOWS SNAP-FIT PEGS.
 - PCB LAYOUT AND PANEL CUT-OUT SHOWN ON SHEETS (5) AND (6).
 - THIS PART CONFORMS TO CLASS B REQUIREMENTS OF COSMETIC SPECIFICATION PS-45499-002.

FUNCTIONAL SYMBOLS $\nabla_A = 0$ $\nabla_C = 0$ $\nabla_P = 0$	THIS DRAWING CONTAINS INFORMATION THAT IS PROPRIETARY TO MOLEX ELECTRONIC TECHNOLOGIES, LLC AND SHOULD NOT BE USED WITHOUT WRITTEN PERMISSION		CURRENT REV DESC: MIGRATION.			
	DIMENSION UNITS	SCALE				
	GENERAL TOLERANCES (UNLESS SPECIFIED)					
	ANGULAR TOL ± 0.5°					
DIVISIONAL SYMBOLS 4 PLACES ± 3 PLACES ± 2 PLACES ± 0.25 1 PLACE ± 0 PLACES ±	mm	3:1			EC NO: 708533 DRWN: FAYEW 2022/05/26 CHK'D: KLANG 2022/06/29 APPR: KLANG 2022/06/29 INITIAL REVISION: DRWN: FAYEW 2022/05/26 APPR: KLANG 2022/06/29	
	DRAFT WHERE APPLICABLE MUST REMAIN WITHIN DIMENSIONS		THIRD ANGLE PROJECTION	DRAWING		SERIES
			C-SIZE	44248		
DOCUMENT STATUS		P1	RELEASE DATE	2022/06/29 03:15:32	PRODUCT CUSTOMER DRAWING DOCUMENT NUMBER: 442480001 DOC TYPE: PSD DOC PART: 000 REVISION: C7	
MATERIAL NUMBER		CUSTOMER		SHEET NUMBER		
SEE CHART		GENERAL MARKET		4 OF 6		



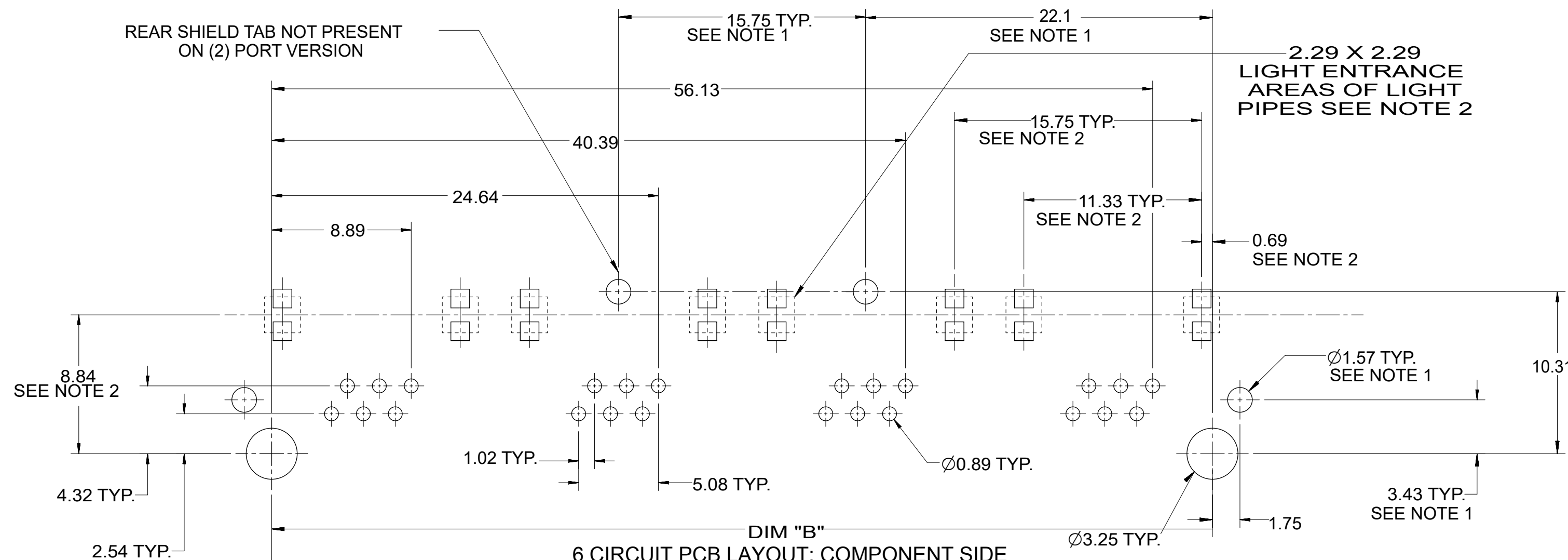
8 CIRCUIT PCB LAYOUT: COMPONENT SIDE
 RECOMMENDED PCB THICKNESS: 1.57 mm
 TOLERANCE ±0.076 UNLESS OTHERWISE SPECIFIED



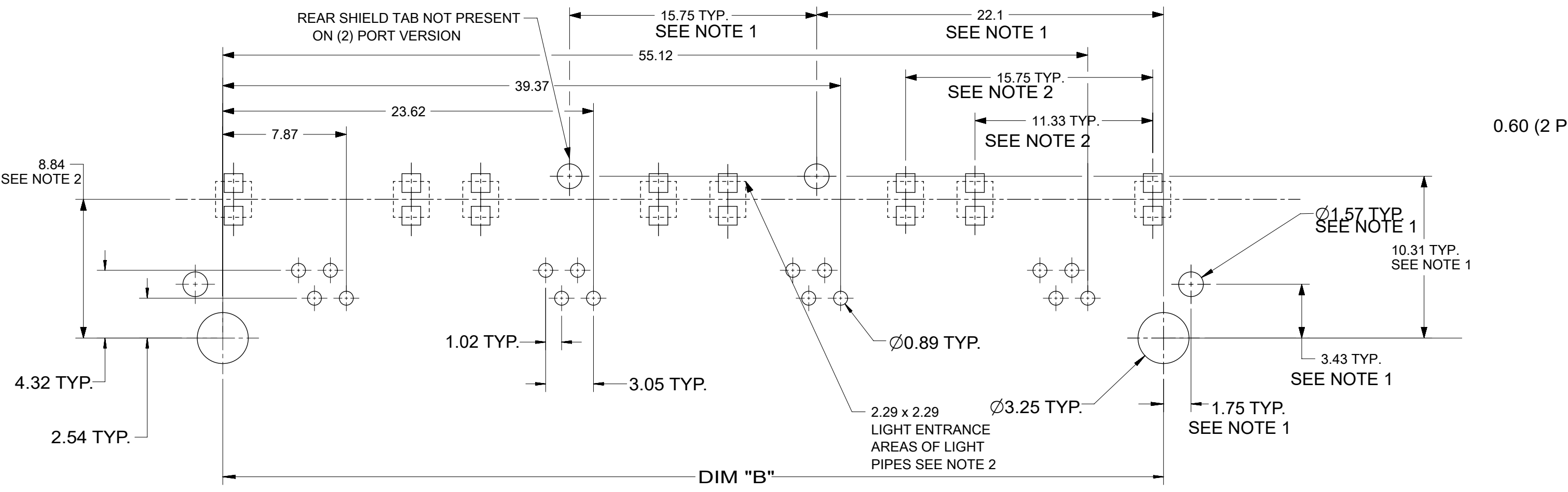
- NOTES:
- 1) DIMENSIONS MARKED "SEE NOTE 1" REFER TO ASSEMBLIES WITH THE SHIELDING OPTION INCLUDED
 - 2) DIMENSIONS MARKED "SEE NOTE 2" REFER TO ASSEMBLIES WITH THE LIGHT PIPE OPTION INCLUDED
 - 3) FOR CROSS REFERENCE OF RECOMMENDED LEDS SEE MOLEX WEB SITE.

NUMBER OF PORTS	DIM "B"	DIM "C"
2	28.45	32.51
4	59.94	64.01

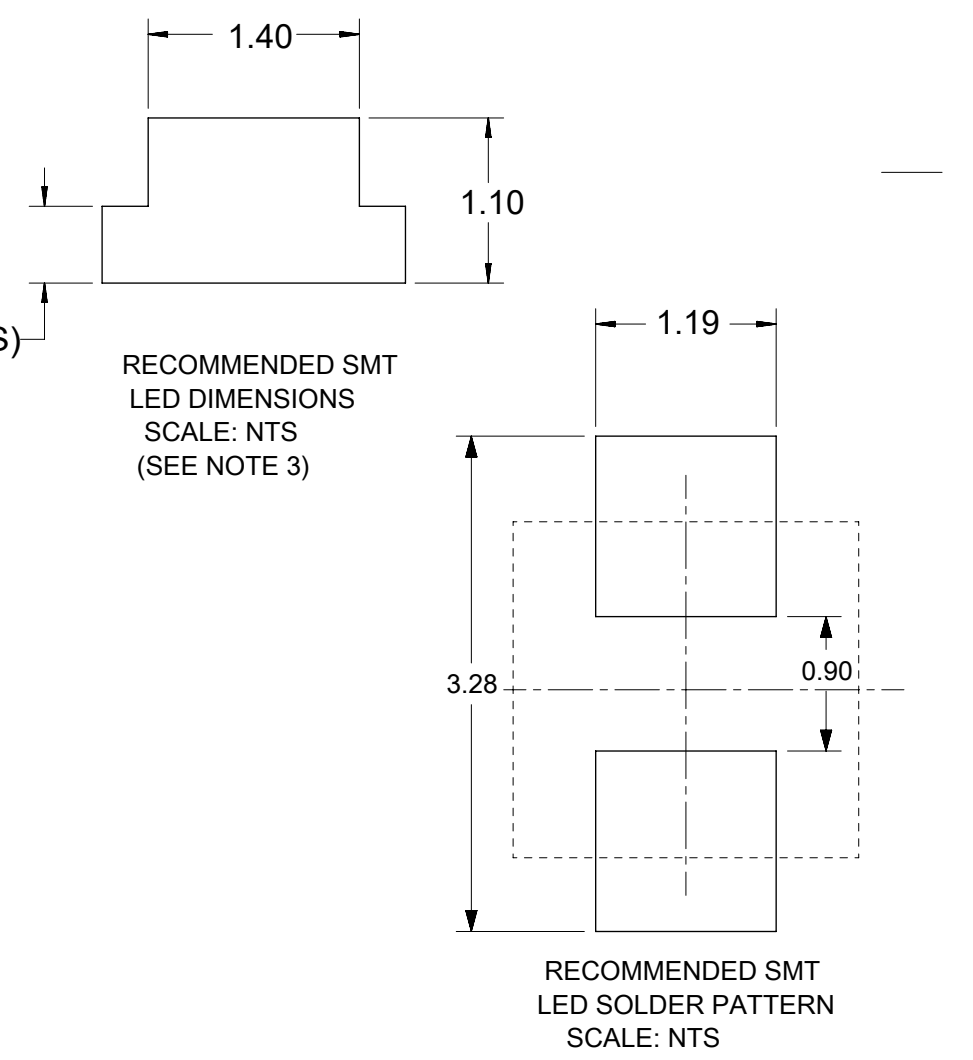
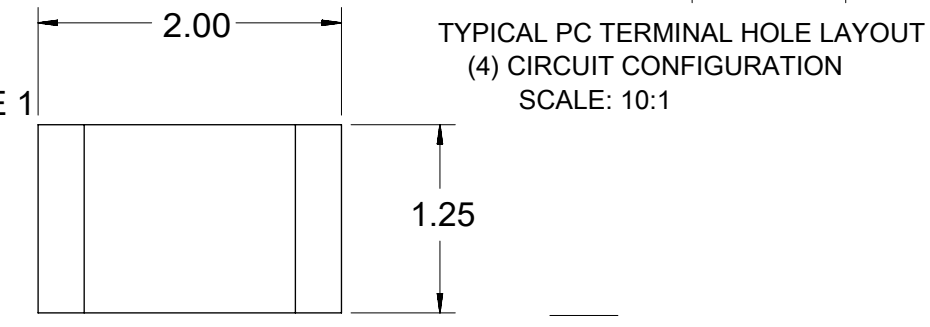
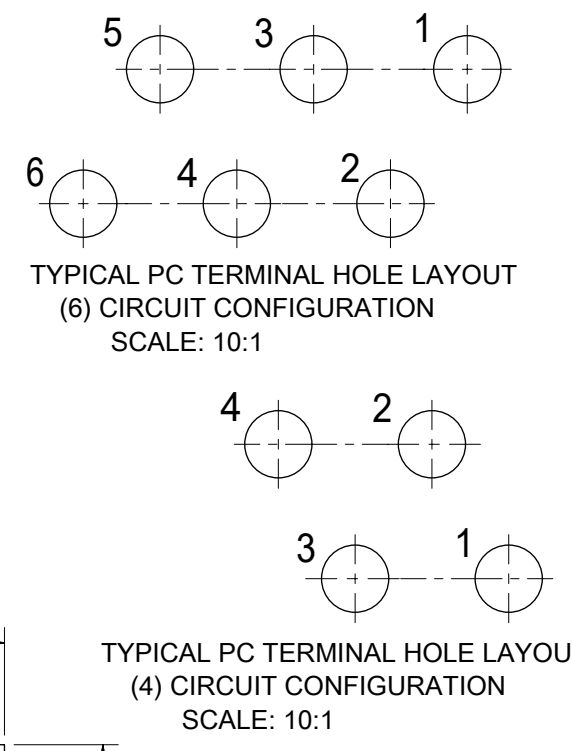
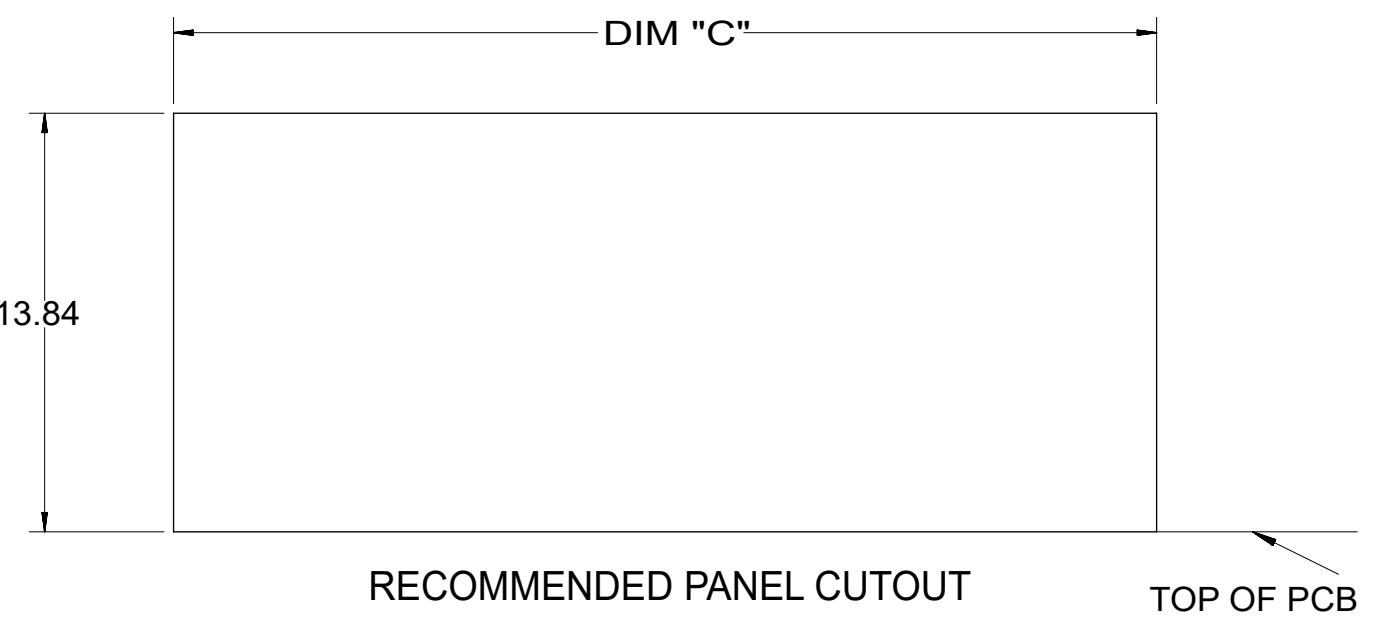
FUNCTIONAL SYMBOLS $\frac{F}{A} = 0$ $\frac{F}{C} = 0$ $\frac{F}{P} = 0$	THIS DRAWING CONTAINS INFORMATION THAT IS PROPRIETARY TO MOLEX ELECTRONIC TECHNOLOGIES, LLC AND SHOULD NOT BE USED WITHOUT WRITTEN PERMISSION		CURRENT REV DESC: MIGRATION.		
	DIMENSION UNITS	SCALE	EC NO: 708533		
	mm	1:1	DRWN: FAYEW 2022/05/26		
	GENERAL TOLERANCES (UNLESS SPECIFIED)		CHK'D: KLANG 2022/06/29		
DIVISIONAL SYMBOLS $\frac{F}{A} = 0$ $\frac{F}{C} = 0$ $\frac{F}{P} = 0$	ANGULAR TOL ± 0.5°		APPR: KLANG 2022/06/29		PRODUCT CUSTOMER DRAWING DOCUMENT NUMBER: 442480001 DOC TYPE: PSD DOC PART: 000 REVISION: C7
	4 PLACES ±		INITIAL REVISION:		
	3 PLACES ±		DRWN: FAYEW 2022/05/26		
	2 PLACES ± 0.25		APPR: KLANG 2022/06/29		
1 PLACE ±		DRAFT WHERE APPLICABLE MUST REMAIN WITHIN DIMENSIONS		SHEET NUMBER: 5 OF 6	
0 PLACES ±		THIRD ANGLE PROJECTION	DRAWING: C-SIZE	SERIES: 44248	MATERIAL NUMBER: SEE CHART



6 CIRCUIT PCB LAYOUT: COMPONENT SIDE
 RECOMMENDED PCB THICKNESS: 1.57
 TOLERANCE ±0.076 UNLESS OTHERWISE SPECIFIED



4 CIRCUIT PCB LAYOUT: COMPONENT SIDE
 RECOMMENDED PCB THICKNESS: 1.57 mm
 TOLERANCE ±0.076 UNLESS OTHERWISE SPECIFIED



- NOTES:
- 1) DIMENSIONS MARKED "SEE NOTE 1" REFER TO ASSEMBLIES WITH SHIELDING OPTION INCLUDED
 - 2) DIMENSIONS MARKED "SEE NOTE 2" REFER TO ASSEMBLIES WITH THE LIGHT PIPE OPTION INCLUDED
 - 3) FOR CROSS REFERENCE OF RECOMMENDED LEDS SEE MOLEX WEB SITE.

NUMBER OF PORTS	DIM "B"	DIM "C"
2	28.45	32.51
4	59.94	64.01

FUNCTIONAL SYMBOLS	THIS DRAWING CONTAINS INFORMATION THAT IS PROPRIETARY TO MOLEX ELECTRONIC TECHNOLOGIES, LLC AND SHOULD NOT BE USED WITHOUT WRITTEN PERMISSION		CURRENT REV DESC: MIGRATION.		
	DIMENSION UNITS	SCALE			
$\frac{F}{A} = 0$	mm	1:1			GANGED INVERTED MODJACK ASSEMBLY
$\frac{F}{C} = 0$	GENERAL TOLERANCES (UNLESS SPECIFIED)				
$\frac{F}{P} = 0$	ANGULAR TOL ± 0.5°				PRODUCT CUSTOMER DRAWING
DIVISIONAL SYMBOLS	4 PLACES ±	3 PLACES ±	EC NO: 708533		
	2 PLACES ± 0.25	1 PLACE ±	DRWN: FAYEW 2022/05/26		
	0 PLACES ±		CHK'D: KLANG 2022/06/29		
			APPR: KLANG 2022/06/29		
			INITIAL REVISION:		
			DRWN: FAYEW 2022/05/26		
			APPR: KLANG 2022/06/29		
DRAFT WHERE APPLICABLE MUST REMAIN WITHIN DIMENSIONS	THIRD ANGLE PROJECTION	DRAWING	SERIES	MATERIAL NUMBER	DOCUMENT NUMBER
		C-SIZE	44248	SEE CHART	442480001
				CUSTOMER	DOC TYPE
				GENERAL MARKET	PSD
					DOC PART
					000
					REVISION
					C7
					SHEET NUMBER
					6 OF 6