



产品编号 : [444411005](#)

Product Description : 7.50mm Pitch Sabre Receptacle Crimp Housing, UL 94V-2, 5 Circuits, Natural

系列号 : 44441

状态 : Active

Product Category : Connector Housings

文件和资源

图纸

[图纸 444411005_sd.pdf](#)

3D 模型和设计文件

[3D模型 444411005_stp.zip](#)

规格


[包装规格 PK-44441-001-001.pdf](#)

[产品规格 PS-44441-9999-001.pdf](#)

[测试摘要 444410000-TS-000.pdf](#)

产物环境合规

合规

GADSL/IMDS	Not Relevant
China RoHS	
EU ELV	Not Relevant
Low-Halogen Status	Low-Halogen per IEC 61249-2-21
REACH SVHC	Not Contained per D(2023)8585-DC (23 Jan 2024)
EU RoHS	Compliant per EU 2015/863

多部分产品合规性声明

- Eu RoHS
- REACH SVHC
- Low-Halogen

- IPC 1752A Class C
- IPC 1752A Class D
- Molex Product Compliance Declaration
- IEC-62474

产品详情

常规

状态	活动
类别	Connector Housings
系列	44441
说明	7.50mm Pitch Sabre Receptacle Crimp Housing, UL 94V-2, 5 Circuits, Natural
应用	Power, Wire-to-Board, Wire-to-Wire
个评论	Positive mating lock and integrated Terminal Position Assurance (TPA) standard.
产品系列	Sabre Power Connector
产品名称	Sabre
UPC	822348670819

机构

CSA	LR19980
UL	E29179

物理

电路数 (最多)	5
颜色-树脂	Natural
阻燃性	94V-2
性别	Receptacle
符合灼热丝规范	否
插接极性	是
锁定插接部位	是
材料 - 树脂	Nylon
净重	3.948/g
行数	1
包装形式	Bag
面板安装式	否

间距 - 插配接口	7.50mm
有极性的插配件	是
可堆叠的	否
运行温度范围	-40° to +75° C

进程

无铅	不适用
----	-----

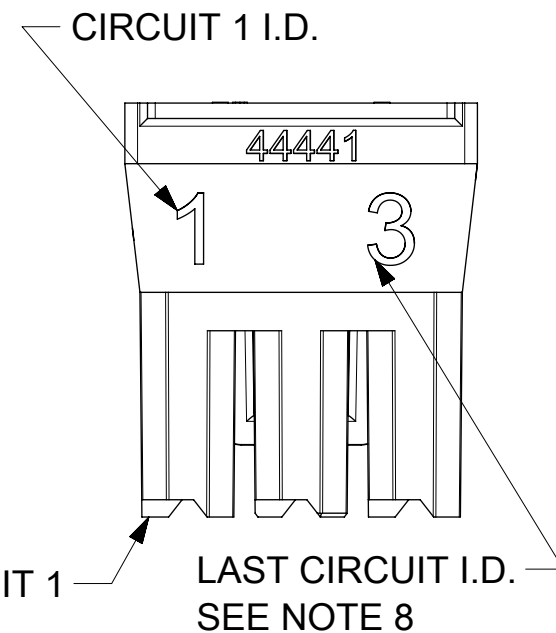
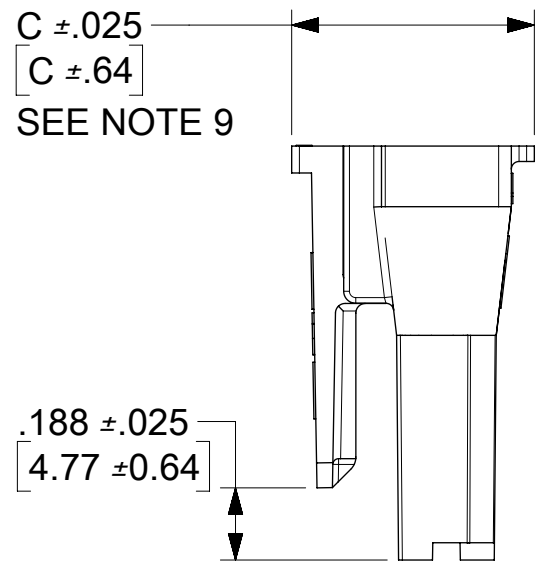
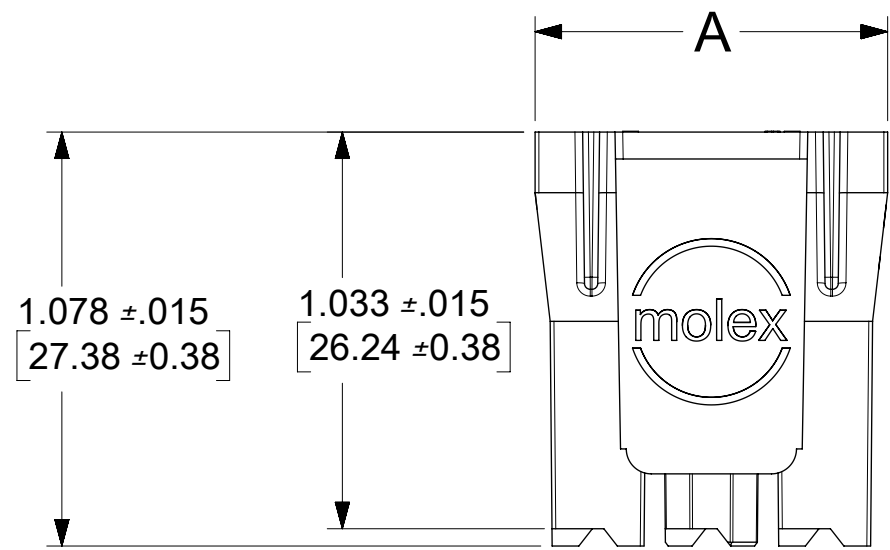
可配插/可连接使用的产品

可配插部件

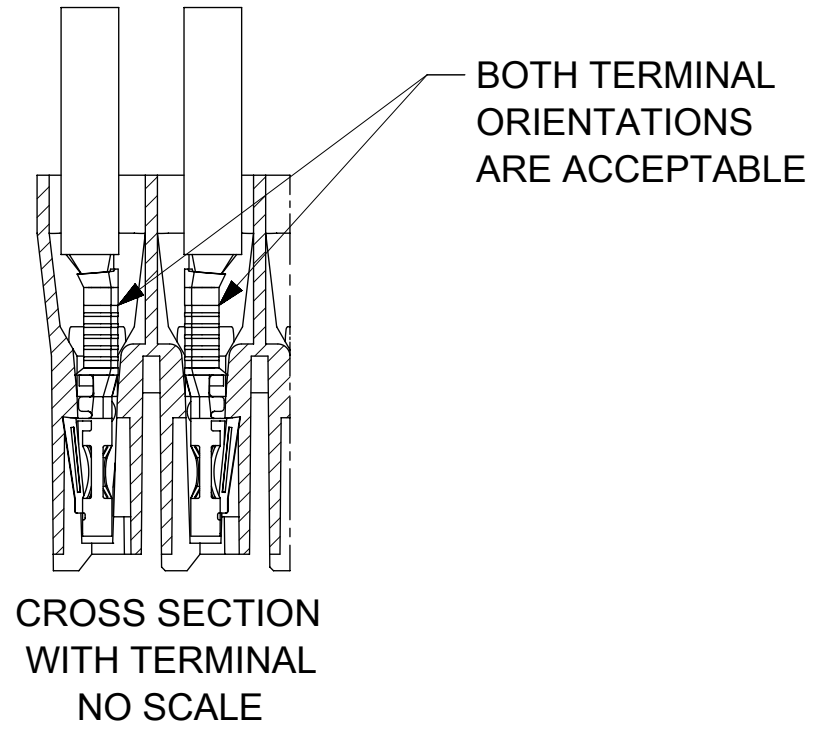
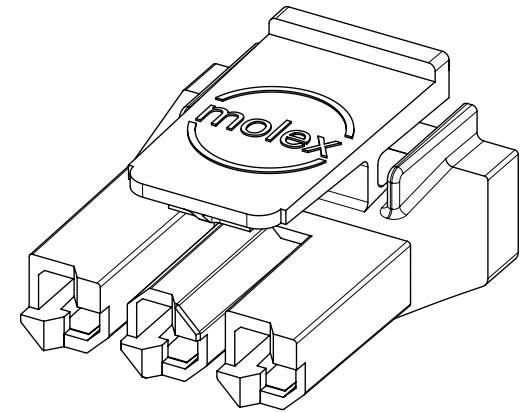
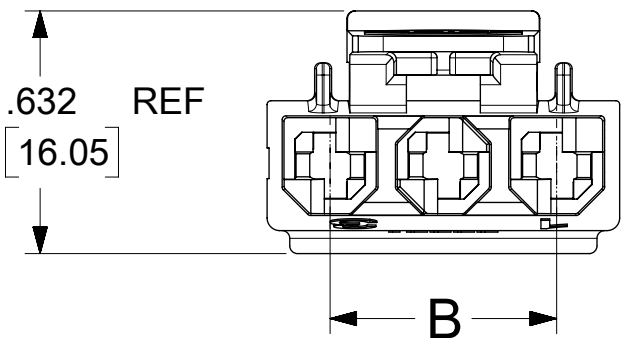
描述	产品编号
7.50mm Pitch Sabre Plug Crimp Housing, UL 94V-2, 5 Circuits, Natural	<u>436801005</u>
Sabre Headers	<u>43160</u>
Sabre Right-Angle Headers	<u>46007</u>

可连接使用部件

描述	产品编号
Sabre Female Crimp Terminals	<u>43375</u>



CIRCUITS	DIM A	DIM B
2	.623±.010 (15.82±0.25)	.295±.006 (7.49±0.15)
3	.918±.010 (23.32±0.25)	.590±.008 (14.99±0.20)
4	1.213±.010 (30.82±0.25)	.885±.008 (22.48±0.20)
5	1.508±.010 (38.30±0.25)	1.180±.008 (29.97±0.20)
6	1.803±.010/-0.015 (45.80 +0.25/-0.38)	1.475±.010 (37.47±0.25)
8	2.393±.010 (60.78±0.25)	2.065±.008 (52.45±0.20)



- NOTES:**
1. MATERIAL: SEE CHART.
 2. THIS CONNECTOR HOUSING FOR USE WITH 43375-**** TERMINALS.
 3. THIS CONNECTOR HOUSING WILL MATE TO A-43160-****, 43180-****, AND 43680-**** HOUSINGS.
 4. PRODUCT SPECIFICATION: PSX-44441-9999.
 5. PACKAGING: PK-44441-001.
 6. FOR V-0 AND GLOW-WIRE MATERIAL: PARTS CONFORM TO CLASS 'B' REQUIREMENTS OF COSMETIC SPECIFICATION PS-45499-002 BUT, MEETS CLASS 'C' REQUIREMENTS FOR BUBBLES, SINK AND DISCOLORATION.
 7. TEXT ON PART IS FOR REFERENCE ONLY. TEXT AND TEXT LOCATION MAY VARY DEPENDING ON PART NUMBER AND/OR TOOL.
 8. LAST CIRCUIT I.D. NOT PRESENT ON 2 CIRCUIT PARTS.
 9. DIMENSION C IS .600/(15.24) FOR 2 AND 8 CIRCUIT PARTS
DIMENSION C IS .632/(16.05) FOR ALL OTHER CIRCUIT SIZES.
 10. THIS DRAWING REPLACES DRAWINGS SD-44441-*

SYMBOLS	THIS DRAWING CONTAINS INFORMATION THAT IS PROPRIETARY TO MOLEX ELECTRONIC TECHNOLOGIES, LLC AND SHOULD NOT BE USED WITHOUT WRITTEN PERMISSION		CURRENT REV DESC: UPDATE TOLERANCES	
	DIMENSION UNITS	SCALE		
▽ = 0	IN/MM	2:1		
▽ = 0	GENERAL TOLERANCES (UNLESS SPECIFIED)			
▽ = 0		MM	INCH	
▽ = 0	4 PLACES ±			
▽ = 0	3 PLACES ±			
▽ = 0	2 PLACES ±	0.25	0.014	
▽ = 0	1 PLACE ±	0.35		
▽ = 0	0 PLACES ±			
▽ = 0	ANGULAR TOL	± 0.5°		
▽ = 0	DRAFT WHERE APPLICABLE	MUST REMAIN WITHIN DIMENSIONS	THIRD ANGLE PROJECTION	DRAWING
▽ = 0			SERIES	44441
DOCUMENT STATUS		P1	RELEASE DATE	2018/09/13 17:17:27
FORMAT: Eng-legal-master-ib-prod-8		REVISION: 0	DATE: 2017/1/10/06	

molex

44441 SABRE RECEPTACLE TPA HOUSING

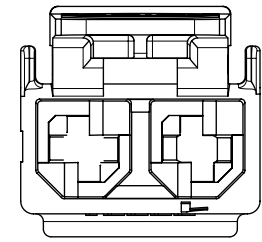
PRODUCT CUSTOMER DRAWING

DOCUMENT NUMBER: 444410000-SD | DOC TYPE: PSD | DOC PART: 000 | REVISION: A1

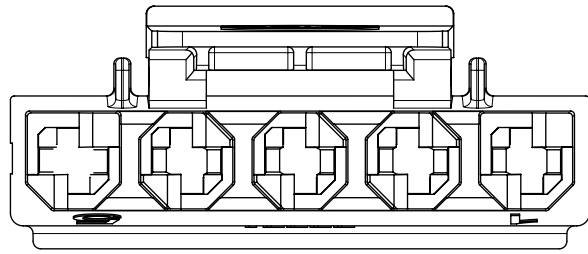
MATERIAL NUMBER: SEE CHART | CUSTOMER: GENERAL MARKET | SHEET NUMBER: 1 OF 2

CIRCUITS	ITEM NUMBER	MATERIAL	COLOR
2	44441-1002	PA66 NYLON, UL94V-2	NATURAL (TRANSLUCENT)
3	44441-1003		
4	44441-1004		
5	44441-1005		
6	44441-1006	PA66 NYLON, UL94V-2	BLACK
2	44441-2002	PA66 NYLON, UL94V-0	BLACK
3	44441-2003		
4	44441-2004		
5	44441-2005		
6	44441-2006		
8	44441-2008		
2	44441-3002	PA66 NYLON, UL94V-2 IEC 60335-1 GLOW WIRE CAPABLE	BLACK
3	44441-3003		
4	44441-3004		
5	44441-3005		
6	44441-3006		
8	44441-3008		

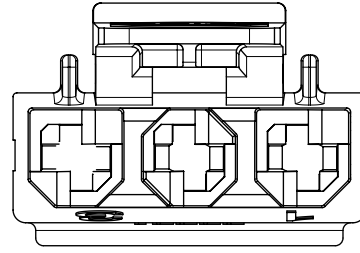
POLARIZATION LAYOUT



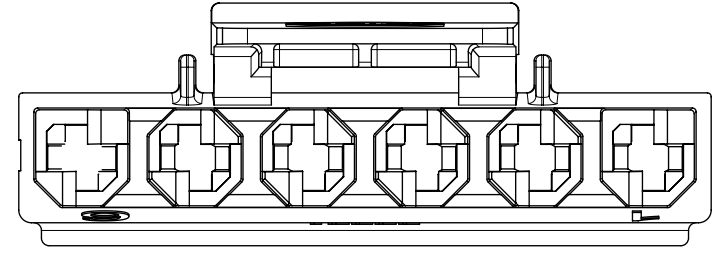
2-CKT.



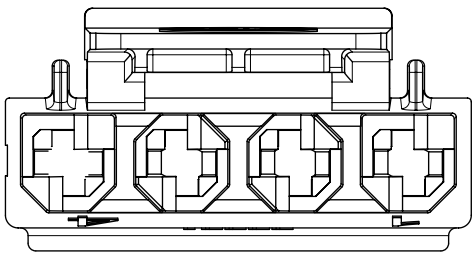
5-CKT.



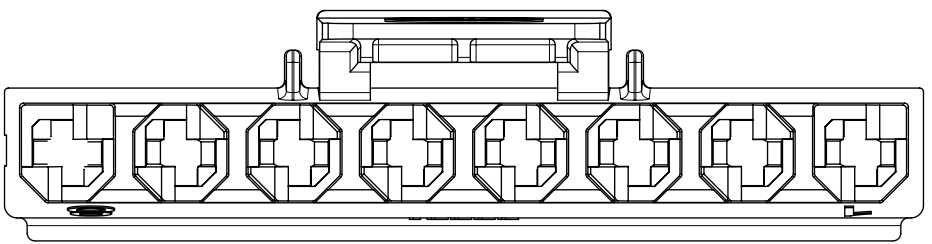
3-CKT.



6-CKT.



4-CKT.



8-CKT.

SYMBOLS = 0 = 0 = 0 = 0 = 0 = 0 = 0 = 0 = 0	THIS DRAWING CONTAINS INFORMATION THAT IS PROPRIETARY TO MOLEX ELECTRONIC TECHNOLOGIES, LLC AND SHOULD NOT BE USED WITHOUT WRITTEN PERMISSION		CURRENT REV DESC: UPDATE TOLERANCES		 44441 SABRE RECEPTACLE TPA HOUSING PRODUCT CUSTOMER DRAWING																
	DIMENSION UNITS IN/MM	SCALE 2:1	EC NO: 604166 DRWN: JBAUMERT 2018/09/07 CHK'D: MKIPPER 2018/09/12 APPR: FSMITH 2018/09/13																		
	GENERAL TOLERANCES (UNLESS SPECIFIED)		INITIAL REVISION: DRWN: CSLAFTER 2016/12/28 APPR: JDFOX 2016/12/30																		
	<table border="1"> <tr> <th></th> <th>MM</th> <th>INCH</th> </tr> <tr> <td>4 PLACES</td> <td>±</td> <td>±</td> </tr> <tr> <td>3 PLACES</td> <td>±</td> <td>± 0.01</td> </tr> <tr> <td>2 PLACES</td> <td>± 0.25</td> <td>± 0.014</td> </tr> <tr> <td>1 PLACE</td> <td>± 0.35</td> <td>±</td> </tr> <tr> <td>0 PLACES</td> <td>±</td> <td>±</td> </tr> </table>		MM	INCH		4 PLACES	±	±	3 PLACES	±	± 0.01	2 PLACES	± 0.25	± 0.014	1 PLACE	± 0.35	±	0 PLACES	±	±	ANGULAR TOL ± 0.5°
	MM	INCH																			
4 PLACES	±	±																			
3 PLACES	±	± 0.01																			
2 PLACES	± 0.25	± 0.014																			
1 PLACE	± 0.35	±																			
0 PLACES	±	±																			
DIMENSION UNITS IN/MM		SCALE 2:1	EC NO: 604166 DRWN: JBAUMERT 2018/09/07 CHK'D: MKIPPER 2018/09/12 APPR: FSMITH 2018/09/13	INITIAL REVISION: DRWN: CSLAFTER 2016/12/28 APPR: JDFOX 2016/12/30	<table border="1"> <tr> <td>DOCUMENT NUMBER</td> <td>DOC TYPE</td> <td>DOC PART</td> <td>REVISION</td> </tr> <tr> <td>444410000-SD</td> <td>PSD</td> <td>000</td> <td>A1</td> </tr> </table>	DOCUMENT NUMBER	DOC TYPE	DOC PART	REVISION	444410000-SD	PSD	000	A1								
DOCUMENT NUMBER	DOC TYPE	DOC PART	REVISION																		
444410000-SD	PSD	000	A1																		
DRAFT WHERE APPLICABLE MUST REMAIN WITHIN DIMENSIONS		THIRD ANGLE PROJECTION 	DRAWING B-SIZE	SERIES 44441	<table border="1"> <tr> <td>MATERIAL NUMBER</td> <td>CUSTOMER</td> <td>SHEET NUMBER</td> </tr> <tr> <td>SEE CHART</td> <td>GENERAL MARKET</td> <td>2 OF 2</td> </tr> </table>	MATERIAL NUMBER	CUSTOMER	SHEET NUMBER	SEE CHART	GENERAL MARKET	2 OF 2										
MATERIAL NUMBER	CUSTOMER	SHEET NUMBER																			
SEE CHART	GENERAL MARKET	2 OF 2																			