



产品编号：[460123141](#)

Product Description：Mini-Fit Plus Crimp Terminal, 16 AWG, Reel, Tin (Sn) Plating

系列号：46012

状态：Active

Product Category：Crimp Terminals

Packaging Alternative：0460123142 (Bag)



文件和资源

图纸

[图纸 460123141_sd.pdf](#)


[包装设计图 PK-46012-001-001.pdf](#)

规格

[产品规格 PS-45750-001-001.pdf](#)

产物环境合规

合规

GADSL/IMDS	Not Relevant
China RoHS	
EU ELV	Compliant per 2000/53/EC
Low-Halogen Status	Low-Halogen per IEC 61249-2-21
REACH SVHC	Not Contained per D(2023)3788-DC (14 Jun 2023)
EU RoHS	Compliant per EU 2015/863

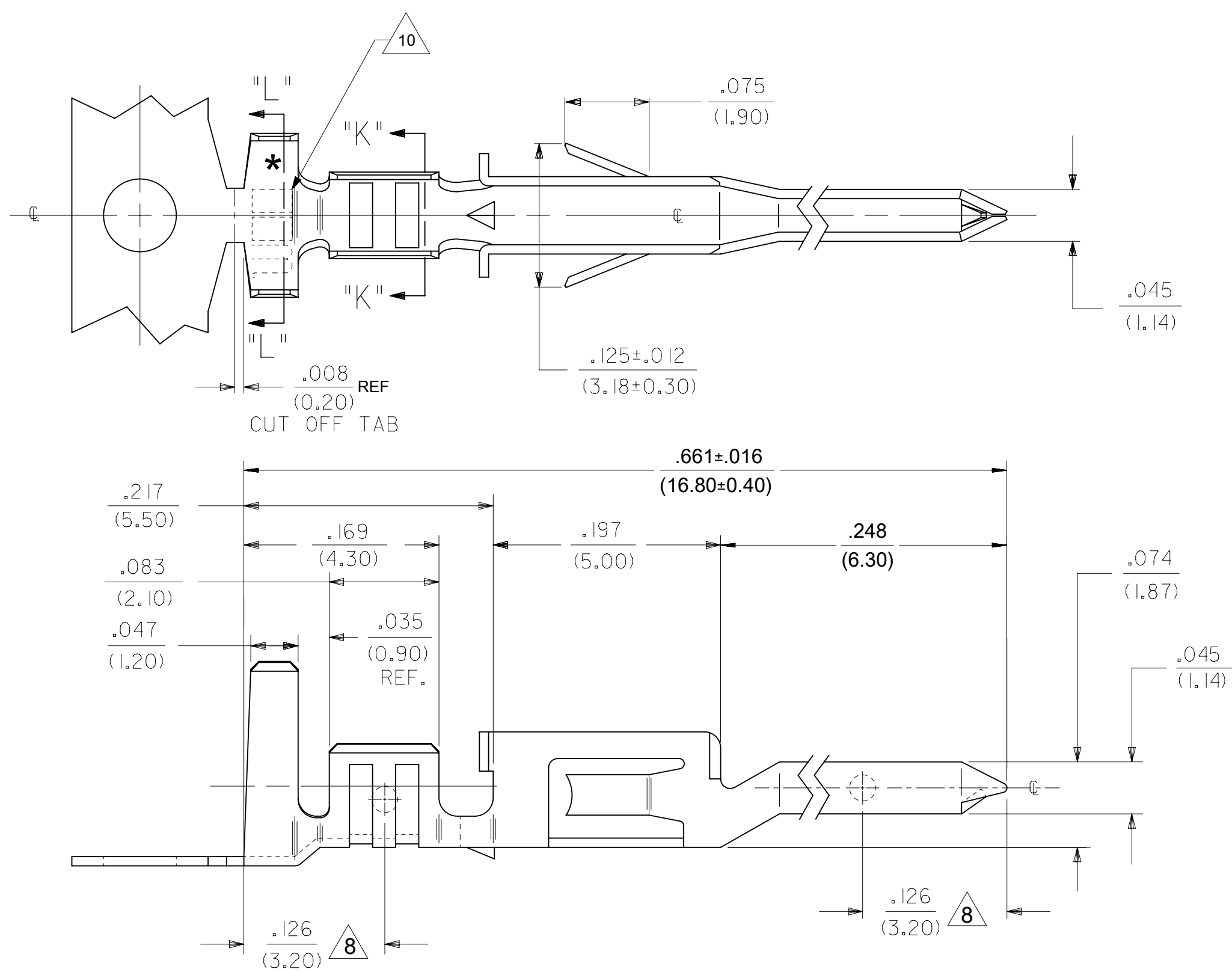
多部分产品合规性声明

- Eu RoHS
- REACH SVHC
- Low-Halogen

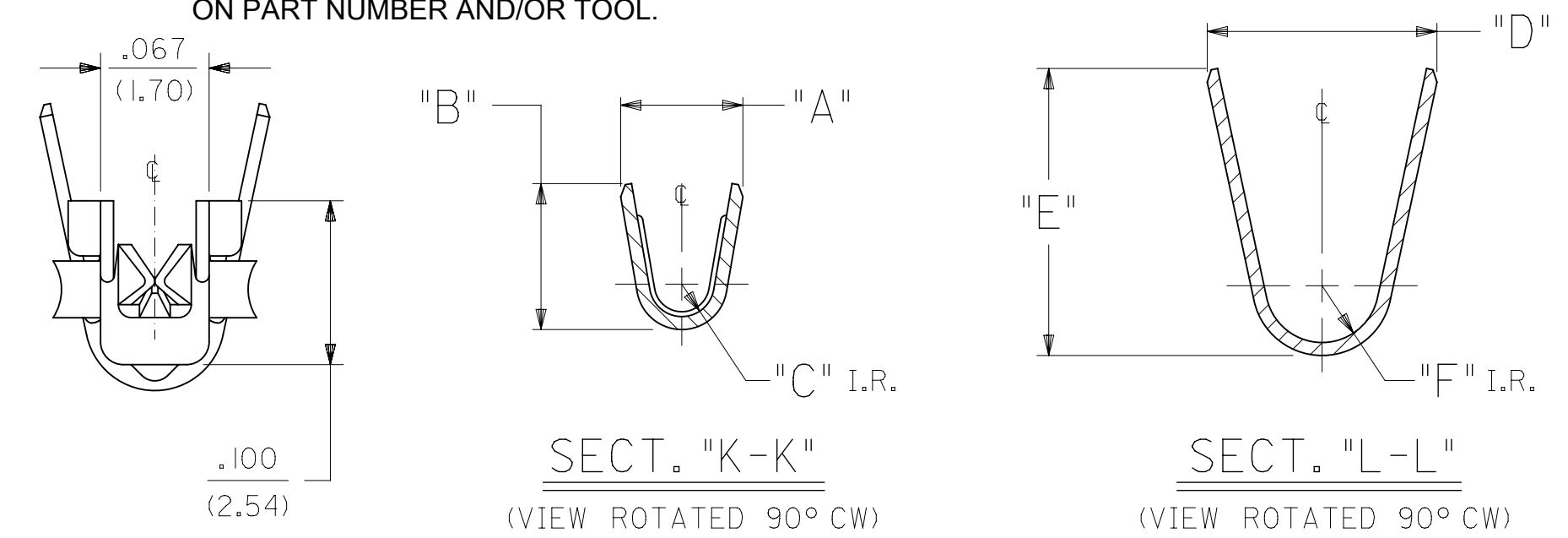
多部分行业合规性文件

- IPC 1752A Class C

ITEM NO.	FORM	WIRE GAGE	RANGE OF INSULATION DIA.	DIM. "A"	DIM. "B"	DIM. "C"	DIM. "D"	DIM. "E"	DIM. "F"	FINISH (SEE NOTE 2)
46012-1141	CHAIN	18-20 GA.	.051-.122 (1.30-3.10)	.075±.012 (1.90±.30)	.091±.016 (2.30±.40)	.020 (.50)	.142±.012 (3.60±.30)	.177±.016 (4.50±.40)	.035 (.90)	FINISH 1 - BRIGHT TIN OVER NICKEL
46012-1142	LOOSE									
46012-3141	CHAIN	16 GA.	.122 (3.10) MAX.	.091±.012 (2.30±.30)	.106±.016 (2.70±.40)	.024 (.60)	.142±.012 (3.60±.30)	.177±.016 (4.50±.40)	.035 (.90)	
46012-3142	LOOSE									
46012-1241	CHAIN	18-20 GA.	.051-.122 (1.30-3.10)	.075±.012 (1.90±.30)	.091±.016 (2.30±.40)	.020 (.50)	.142±.012 (3.60±.30)	.177±.016 (4.50±.40)	.035 (.90)	FINISH 2 - SEL. GOLD AND SEL. MATTE TIN OVER NICKEL
46012-1242	LOOSE									
46012-3241	CHAIN	16 GA.	.122 (3.10) MAX.	.091±.012 (2.30±.30)	.106±.016 (2.70±.40)	.024 (.60)	.142±.012 (3.60±.30)	.177±.016 (4.50±.40)	.035 (.90)	
46012-3242	LOOSE									



- NOTES:**
- MATERIAL:**
COPPER ALLOY
 - FINISH:**
1= .000100/(0.00254) MIN. BRIGHT TIN OVER .000050/(0.00127) MIN NICKEL OVERALL.
2= .000030/(.00076) MIN SELECT GOLD IN CONTACT AREA AND .000100/(0.00254) MIN SELECT MATTE TIN IN CRIMP AREA OVER .000050/(0.00127) MIN NICKEL OVERALL.
GOLD PLATING RECOMMENDED FOR APPLICATIONS WHERE FRETTING CORROSION IS A CONCERN.
 - PRODUCT SPECIFICATION:** PS-45750-001
 - PACKAGING SPECIFICATION:** PK-46012-001 FOR CHAIN TERMINALS
PK-5556-003 FOR LOOSE TERMINALS.
 - TERMINAL MATES WITH FEMALE TERMINAL SERIES 45750 AND IS FOR USE WITH MOLEX PLUG HOUSINGS 5559, 46993, 42475, 43770 AND 30068.**
 - THIS TERMINAL IS DESIGNED FOR SINGLE WIRE CRIMPING.**
 - WHEN TERMINALS ARE INSTALLED IN THE HOUSINGS, THE WIRES ARE TO BE DRESSED IN SUCH A MANNER TO ALLOW THE TERMINALS TO FLOAT FREELY IN THE POCKETS.**
 - MEASURING POINT FOR PLATING THICKNESS.**
 - PART CONFORMS TO CLASS "B" REQUIREMENTS OF COSMETIC SPECIFICATION PS-45499-002.**
 - TEXT ON PART IS FOR REFERENCE ONLY. TEXT AND TEXT LOCATION MAY VARY DEPENDING ON PART NUMBER AND/OR TOOL.**



LEGEND:

46012 - * * 4 *

BASE NO. ————

WIRE GAGE ————

1= 18-20
3= 16

PLATING ————

1= TIN
2= GOLD

CHAIN OR LOOSE ————

1= CHAIN
2= LOOSE

THIS DRAWING CONTAINS INFORMATION THAT IS PROPRIETARY TO MOLEX ELECTRONIC TECHNOLOGIES, LLC AND SHOULD NOT BE USED WITHOUT WRITTEN PERMISSION									
DIMENSION UNITS		SCALE		CURRENT REV DESC:					
INCH/MM		NTS		molex TERM., MALE, CRIMP MINI-FIT JR. HCS PLUS SERIES PRODUCT CUSTOMER DRAWING DOCUMENT NUMBER: SD-46012-001 DOC TYPE: PSD DOC PART: 001 REVISION: D7 MATERIAL NUMBER: SEE CHART CUSTOMER: GENERAL MARKET SHEET NUMBER: 1 OF 1					
GENERAL TOLERANCES (UNLESS SPECIFIED)									
4 PLACES		± .01							
3 PLACES		± .015							
2 PLACES		± .025							
1 PLACE		± .038		EC NO: 776137		2024/02/06			
0 PLACES		± .075		DRWN: JERRYW8		2024/02/22			
ANGULAR TOL		± 0.5 °		CHK'D: XQZHANG		2024/02/22			
DRAFT WHERE APPLICABLE MUST REMAIN WITHIN DIMENSIONS				THIRD ANGLE PROJECTION		DRAWING		SERIES	
				C-SIZE		46012			

- IPC 1752A Class D
- Molex Product Compliance Declaration
- IEC-62474
- chemSHERPA (xml)

欧盟 RoHS 合格证书

产品详情

常规

状态	活动
类别	Crimp Terminals
系列	46012
说明	Mini-Fit Plus Crimp Terminal, 16 AWG, Reel, Tin (Sn) Plating
应用	Power, Wire-to-Wire
评论	Current = 13A max. per circuit when header is mated to a receptacle loaded with 45750 series terminals crimped to 16 AWG wire. See Molex product specification PS-45750-001 for additional current de-rating information.
产品系列	Mini-Fit Family Power Connectors
产品名称	Mini-Fit Plus
UPC	822350570459

电气

每触点最大电流	13.0A
电压 - 最大	600V

物理

耐用性(插拔次数) - 最多次数	100
性别	男
材料 - 金属	Copper Alloy
材料 - 接合部位电镀	Tin
材料 - 终端电镀	Tin
净重	182.000/mg
包装形式	Reel

最薄镀层 - 接合部位	2.540µm
最薄镀层 - 端接	2.540µm
终端界面类型	Crimp or Compression
导线绝缘直径	1.80-3.15mm
线径规格 (AWG)	16
线缆尺寸mm ²	不适用

进程

无铅	不适用
----	-----

可连接使用部件

描述	产品编号
Mini-Fit Jr. Plug Housings	<u>5559</u>
Mini-Fit BMI Dual Row Plug Housings	<u>42475</u>

施工工具

全局

描述	产品编号
Extraction Tool for Mini-Fit Jr. Terminals	<u>0011030044</u>
Hand Crimp Tool for Mini-Fit Jr. Male and Female Crimp Terminals, 16 AWG	<u>2002182200</u>
FineAdjust Applicator for Insulation OD 2.20-2.45mm, 16 AWG	<u>0639039400</u>
FineAdjust Applicator for Insulation OD 2.60-3.15mm, 16 AWG	<u>0639041400</u>
FineAdjust Applicator for Insulation OD 1.80-2.20mm, 16 AWG	<u>0639041500</u>