



产品编号 : 461141240

Product Description : 1.27mm, 12.00mm Pitch, EXTreme LPHPower Receptacle Header, Vertical, Compliant Pin, 12 Power Contacts, 40 Signal Contacts, Select Gold (Au) Plating, with BMI Guides

系列号 : 46114

状态 : Active

Product Category : Board-to-Board Connectors

文件和资源

图纸

图纸 461141240_sd.pdf

包装设计图 PK-46114-003-001.pdf

3D 模型和设计文件

3D模型 461141240_stp.zip

符号足迹数据 SYM-46114-1240-001.zip


规格

应用规格 AS-46114-001-001.pdf

产品规格 PS-46114-001-001.pdf

产物环境合规

合规

GADSL/IMDS	Compliant with Exemption 44; 34; 33
China RoHS	
EU ELV	Not Relevant
Low-Halogen Status	Low-Halogen per IEC 61249-2-21
REACH SVHC	Not Contained per D(2023)8585-DC (23 Jan 2024)
EU RoHS	Compliant per EU 2015/863

多部分产品合规性声明

- Eu RoHS
- REACH SVHC
- Low-Halogen
- IPC 1752A Class C

- IPC 1752A Class D
- Molex Product Compliance Declaration
- IEC-62474
- chemSHERPA (xml)

欧盟 RoHS 合格证书

产品详情

常规

状态	活动
类别	Board-to-Board Connectors
系列	46114
说明	1.27mm, 12.00mm Pitch, EXTreme LPHPower Receptacle Header, Vertical, Compliant Pin, 12 Power Contacts, 40 Signal Contacts, Select Gold (Au) Plating, with BMI Guides
应用	Board-to-Board, Power
个评论	Press Fit Pin
元件类型	PCB Receptacle
产品系列	EXTreme LPHPower Connectors
产品名称	EXTreme LPHPower
UPC	800756886428

机构

CSA	LR19880
UL	E29179

电气

每触点最大电流	30.0A
PCB接地	否
电压 - 最大	250V AC (RMS)/DC

物理

回路数 (已载入)	52
电路数 (最多)	52
颜色-树脂	黑色

耐用性(插拔次数) - 最多次数	250
阻燃性	94V-0
符合灼热丝规范	否
可配插产品指南	是
插接极性	无
锁定插接部位	无
材料 - 金属	High Performance Alloy (HPA)
材料 - 接合部位电镀	金牌
材料 - 终端电镀	Tin
材料 - 树脂	High Temperature Thermoplastic
净重	16.480/g
行数	2
方向	垂直
包装形式	Tube
PCB 定位器	否
PCB 保持力	无
间距 - 插配接口	1.27mm, 12.00mm
间距 - 终端界面	1.27mm, 2.50mm
最薄镀层 - 接合部位	0.762µm
最薄镀层 - 端接	2.540µm
有极性的插配件	是
PCB 极性	是
电源 - 信号配置	12p - 40s
可堆叠的	否
运行温度范围	-40° to +105° C
终端界面类型	Through Hole - Compliant Pin

可配插/可连接使用的产品

可配插部件

描述	产品编号
EXTreme LPHPower Right-Angle Plugs	<u>45985</u>

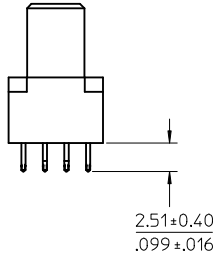
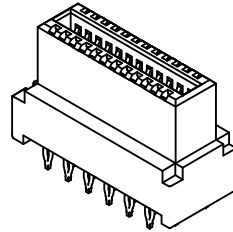
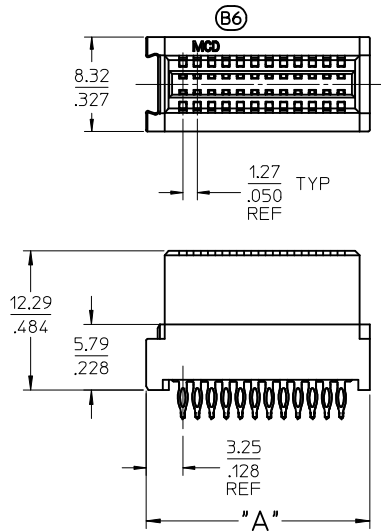
施工工具

全局

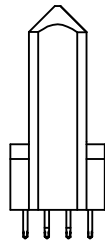
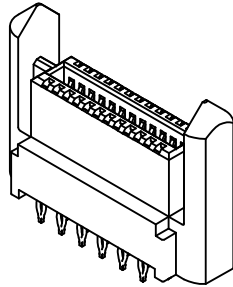
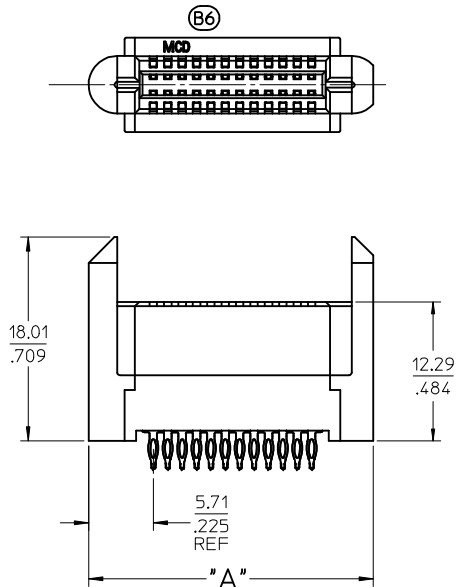
描述	产品编号
LPH Vertical Receptacle Power Terminal Removal Tool	<u>621006300</u>
Vertical Receptacle Press-In Tool	<u>622018671</u>

This document was generated on Jun 04, 2024

P/N 46113-0241 SHOWN



P/N 46113-0243 SHOWN



NOTES:

1. MATERIAL: HOUSING: LCP, 94-V0, COLOR: BLACK
POWER CONTACTS: COPPER ALLOY
SIGNAL CONTACTS: MODIFIED TIN BRASS
2. FINISH: SELECT GOLD - 0.75 μ M/30 μ INCHES
SELECT TIN - 1.91 μ M/75 μ INCHES OR
SELECT TIN-LEAD - 1.91 μ M/75 μ INCHES
BOTH OVER NICKEL - 1.25 μ M/50 μ INCHES
3. PARTS ARE RoHS COMPLIANT
4. MATES TO MOLEX P/N 45985-SERIES OR
EDGE CARD 1.571.062
5. PRODUCT SPECIFICATION PS-46114-001
6. PACKAGING: PER PK-46114-003
7. REFER TO PS-46114-001 FOR OSP THRU-HOLE SPECIFICATIONS.

SIGNAL HOUSING ASSY - STANDARD

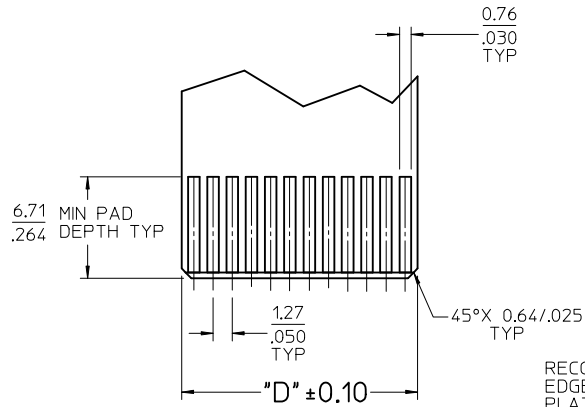
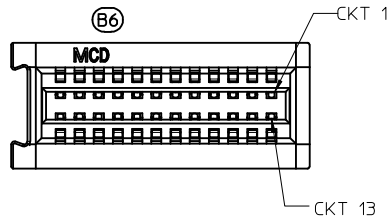
NO OF CKTS	MATERIAL NUMBER	COMPLIANT PIN PLATING	DIM "A"
12	46113-0121	TIN	12.13/1.478
16	46113-0161	TIN	14.67/1.578
20	46113-0201	TIN	17.21/1.678
24	46113-0241	TIN	19.75/1.778
28	46113-0281	TIN	22.29/1.878
32	46113-0321	TIN	24.83/1.978
36	46113-0361	TIN	27.37/1.078
40	46113-0401	TIN	29.91/1.178

SIGNAL HOUSING ASSY W/2 GUIDES

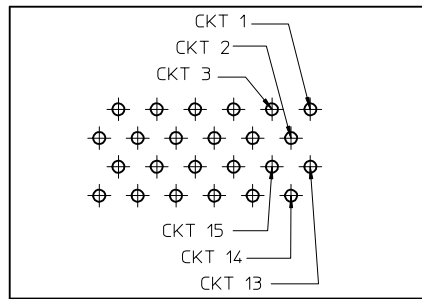
NO OF CKTS	MATERIAL NUMBER	COMPLIANT PIN PLATING	DIM "A"
12	46113-0123	TIN	17.49/1.689
16	46113-0163	TIN	20.03/1.789
20	46113-0203	TIN	22.57/1.889
24	46113-0243	TIN	25.11/1.989
28	46113-0283	TIN	27.65/1.089
32	46113-0323	TIN	30.19/1.189
36	46113-0363	TIN	32.73/1.289
40	46113-0403	TIN	35.27/1.389

UPDATE NOTES EC NO: S2016-1041 DRWNLIN06 CHKD:JZENG APPR:KHLIM	2016/12/13 2016/12/15 2016/12/19	DESCRIPTION REV	QUALITY SYMBOLS ▽=0 ▽=0 ▽=0	GENERAL TOLERANCES (UNLESS SPECIFIED)		DIMENSION STYLE MM/IN		SCALE 3:1	DESIGN UNITS METRIC	THIRD ANGLE PROJECTION		
				4 PLACES ± --- ± --- 3 PLACES ± --- ± .010 2 PLACES ± 0.25 ± --- 1 PLACE ± --- ± --- 0 PLACE ± --- ± ---	mm INCH	DRAWN BY MKARADIMAS	DATE 2008/03/10	TITLE LPH VERTICAL RECEPTACLE SIGNAL ASSEMBLY 12 CKT-40 CKT, PRESS-FIT				
				ANGULAR ±1/2°		APPROVED BY JCOMERC I	DATE 2009/12/03	MATERIAL NO. SEE CHART			DOCUMENT NO. SD-46113-200	SHEET NO. 1 OF 2
				DRAFT WHERE APPLICABLE MUST REMAIN WITHIN DIMENSIONS		THIS DRAWING CONTAINS INFORMATION THAT IS PROPRIETARY TO MOLEX INCORPORATED AND SHOULD NOT BE USED WITHOUT WRITTEN PERMISSION						

SIGNAL 24 CKT



RECOMMENDED EDGE CARD LAYOUT
 EDGE CARD THICKNESS: 1.57/.062
 PLATING: GOLD 30μ INCHES MIN
 OVER 150μ INCHES NICKEL



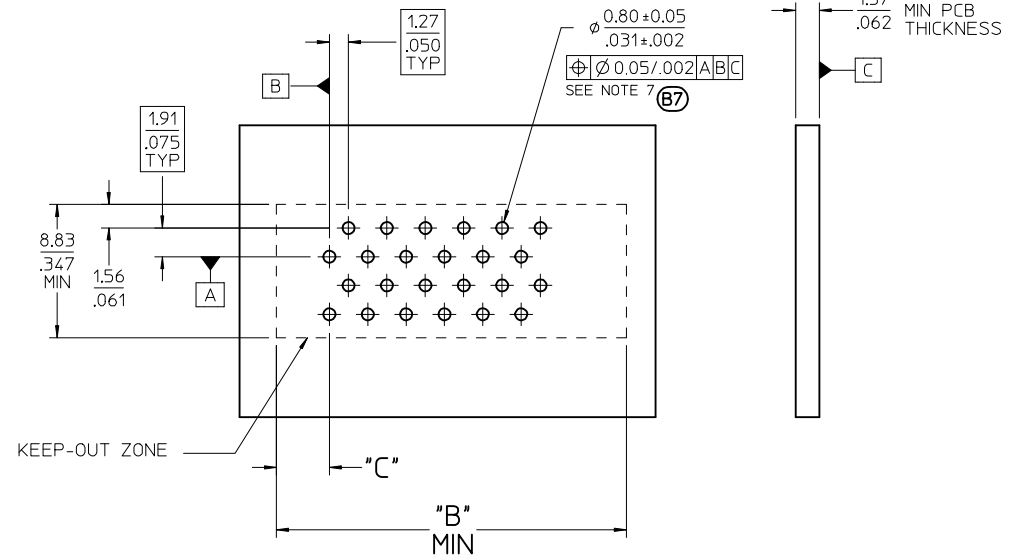
PCB LAYOUT: COMPONENT SIDE
 SEE SHT 1 FOR DIMENSIONS

SIGNAL HOUSING ASSY - STANDARD

NO OF CKTS	MATERIAL NUMBER	DIM "B"	DIM "C"	DIM "D"
12	46113-0121	12.65/.498	3.51/.138	8.00/.315
16	46113-0161	15.19/.598		10.54/.415
20	46113-0201	17.73/.698		13.08/.515
24	46113-0241	20.27/.798		15.62/.615
28	46113-0281	22.81/.898		18.16/.715
32	46113-0321	25.35/.998		20.70/.815
36	46113-0361	27.89/1.098		23.24/.915
40	46113-0401	30.43/1.198		25.78/1.015

SIGNAL HOUSING ASSY W/2 GUIDES

NO OF CKTS	MATERIAL NUMBER	DIM "B"	DIM "C"	DIM "D"
12	46113-0123	18.01/.709	5.97/.235	8.00/.315
16	46113-0163	20.55/.809		10.54/.415
20	46113-0203	25.63/1.009		13.08/.515
24	46113-0243	25.88/1.019		15.62/.615
28	46113-0283	28.17/1.109		18.16/.715
32	46113-0323	30.71/1.209		20.70/.815
36	46113-0363	33.25/1.309		23.24/.915
40	46113-0403	35.79/1.409		25.78/1.015



PCB COMPONENT SIDE

UPDATE NOTES EC NO: S2016-1041 DRWNAL:INO6 CHKD:JZENG APPR:KHLIM 2016/12/13 2016/12/15 2016/12/19	QUALITY SYMBOLS ▽=0 ▽=0 ▽=0	GENERAL TOLERANCES (UNLESS SPECIFIED)		DIMENSION STYLE MM/IN		SCALE 4:1	DESIGN UNITS METRIC	THIRD ANGLE PROJECTION			
		4 PLACES ± --- ± ---	3 PLACES ± --- ± .010	2 PLACES ± 0.25 ± ---	1 PLACE ± --- ± ---	0 PLACE ± --- ± ---	DRAWN BY MKARADIMAS	DATE 2008/03/10	TITLE LPH VERTICAL RECEPTACLE SIGNAL ASSEMBLY 12 CKT-40 CKT, PRESS-FIT		
		ANGULAR ±1/2°					APPROVED BY JCOMERC I	DATE 2009/12/03	DOCUMENT NO. SD-46113-200		
		DRAFT WHERE APPLICABLE MUST REMAIN WITHIN DIMENSIONS					SEE CHART		SHEET NO. 2 OF 2		

THIS DRAWING CONTAINS INFORMATION THAT IS PROPRIETARY TO MOLEX INCORPORATED AND SHOULD NOT BE USED WITHOUT WRITTEN PERMISSION