



产品编号 : 462355003

Product Description : Micro-Fit RMF High Mating Cycle, Reduced Mating Force, Crimp Terminal, Female, with 0.38µm Selective Gold (Au) over Nickel (Ni), 26-30 AWG, with Lubricant

系列号 : 46235

状态 : Active

Product Category : Crimp Terminals

文件和资源

图纸

[图纸 462355003_sd.pdf](#)

[包装设计图 PK-46235-001-001.pdf](#)

规格


[产品规格 PS-46235-001-001.pdf](#)

[测试摘要 TS-46235-001-001.pdf](#)

[测试摘要 TS-46235-501-001.pdf](#)

产物环境合规

合规

GADSL/IMDS	Not Relevant
China RoHS	
EU ELV	Compliant per 2000/53/EC
Low-Halogen Status	Low-Halogen per IEC 61249-2-21
REACH SVHC	Not Contained per D(2023)8585-DC (23 Jan 2024)
EU RoHS	Compliant per EU 2015/863

多部分产品合规性声明

- Eu RoHS
- REACH SVHC
- Low-Halogen

- IPC 1752A Class C
- IPC 1752A Class D
- Molex Product Compliance Declaration
- IEC-62474
- chemSHERPA (xml)

产品详情

常规

状态	活动
类别	Crimp Terminals
系列	46235
说明	Micro-Fit RMF High Mating Cycle, Reduced Mating Force, Crimp Terminal, Female, with 0.38µm Selective Gold (Au) over Nickel (Ni), 26-30 AWG, with Lubricant
应用	Power, Wire-to-Board, Wire-to-Wire
个评论	90% increase in mating cycles (250 cycles) and up to 50% reduction in mating force
产品系列	Micro-Fit Connector System
产品名称	Micro-Fit RMF
UPC	883906382391

电气

每触点最大电流	5.0A
---------	------

物理

耐用性(插拔次数) - 最多次数	250
性别	女
材料 - 金属	Copper-Zinc-Tin
材料 - 接合部位电镀	金牌
材料 - 终端电镀	Nickel
净重	0.071/g
包装形式	Reel
最薄镀层 - 接合部位	0.381µm
最薄镀层 - 端接	1.270µm
终端界面类型	Crimp or Compression
导线绝缘直径	1.27mm max.
线径规格 (AWG)	26, 28, 30
线缆尺寸mm ²	不适用

可连接使用部件

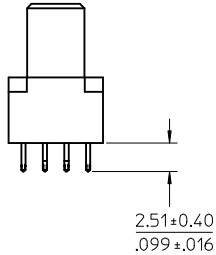
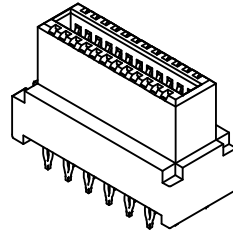
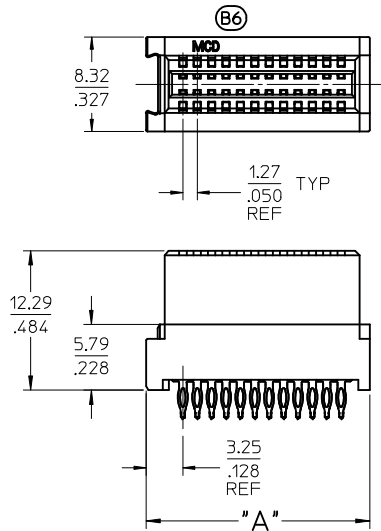
描述	产品编号
Micro-Fit 3.0 Dual Row Receptacle Housings	<u>43025</u>
Micro-Fit 3.0 Single Row Receptacle Housings	<u>43645</u>
Micro-Fit BMI Dual Row Receptacle Housings	<u>44133</u>
Micro-Fit TPA Receptacle Housings	<u>172952</u>

施工工具

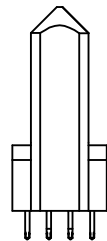
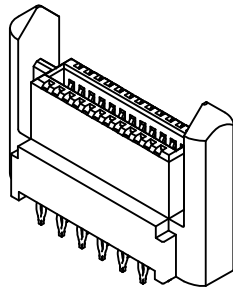
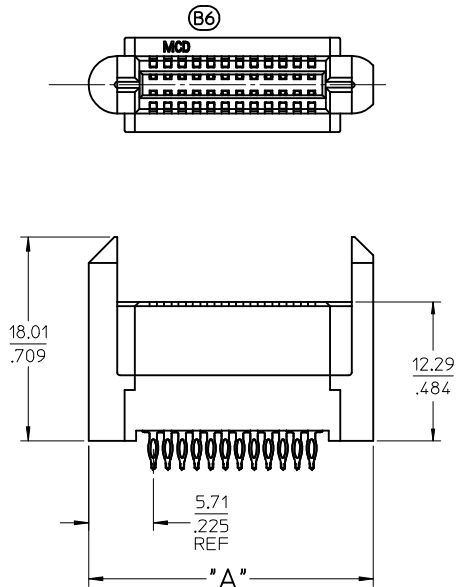
全局

描述	产品编号
Extraction Tool for Micro-Fit Terminals	<u>11030043</u>
FineAdjust Applicator for Micro-Fit 3.0 Low Force Crimp Terminals, 26-30 AWG Stranded Copper Wires	<u>2037024900</u>
PremiumGrade Hand Crimp Tool for Low Force Micro-Fit 3.0 Terminals, 20-30 AWG	<u>638192900</u>
T2 Terminator Tooling Die for Crimp Terminal, 26-30 AWG Wire	<u>639101300</u>

P/N 46113-0241 SHOWN



P/N 46113-0243 SHOWN



NOTES:

1. MATERIAL: HOUSING: LCP, 94-V0, COLOR: BLACK
POWER CONTACTS: COPPER ALLOY
SIGNAL CONTACTS: MODIFIED TIN BRASS
2. FINISH: SELECT GOLD - 0.75 μM/30 μ INCHES
SELECT TIN - 1.91 μM/75 μ INCHES OR
SELECT TIN-LEAD - 1.91 μM/75 μ INCHES
BOTH OVER NICKEL - 1.25 μM/50 μ INCHES
3. PARTS ARE RoHS COMPLIANT
4. MATES TO MOLEX P/N 45985-SERIES OR
EDGE CARD 1.571.062
5. PRODUCT SPECIFICATION PS-46114-001
6. PACKAGING: PER PK-46114-003
7. REFER TO PS-46114-001 FOR OSP THRU-HOLE SPECIFICATIONS.

SIGNAL HOUSING ASSY - STANDARD

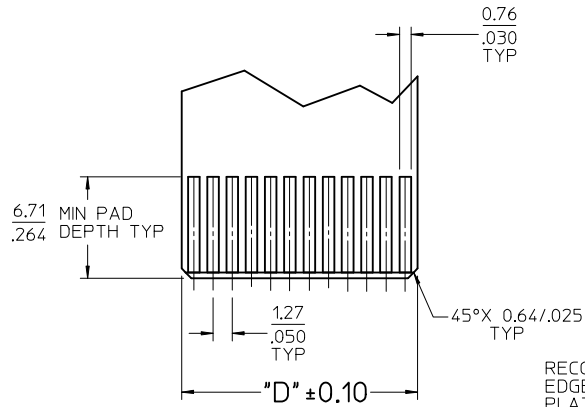
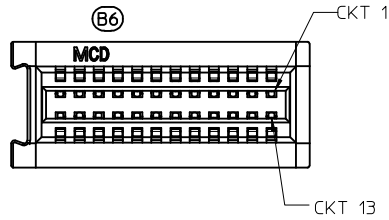
NO OF CKTS	MATERIAL NUMBER	COMPLIANT PIN PLATING	DIM "A"
12	46113-0121	TIN	12.13/1.478
16	46113-0161	TIN	14.67/1.578
20	46113-0201	TIN	17.21/1.678
24	46113-0241	TIN	19.75/1.778
28	46113-0281	TIN	22.29/1.878
32	46113-0321	TIN	24.83/1.978
36	46113-0361	TIN	27.37/1.078
40	46113-0401	TIN	29.91/1.178

SIGNAL HOUSING ASSY W/2 GUIDES

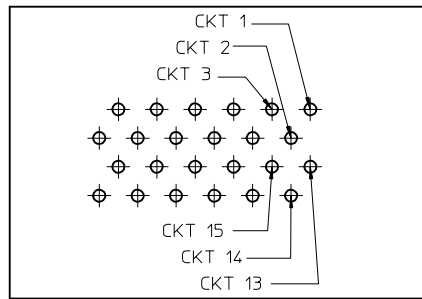
NO OF CKTS	MATERIAL NUMBER	COMPLIANT PIN PLATING	DIM "A"
12	46113-0123	TIN	17.49/1.689
16	46113-0163	TIN	20.03/1.789
20	46113-0203	TIN	22.57/1.889
24	46113-0243	TIN	25.11/1.989
28	46113-0283	TIN	27.65/1.089
32	46113-0323	TIN	30.19/1.189
36	46113-0363	TIN	32.73/1.289
40	46113-0403	TIN	35.27/1.389

UPDATE NOTES EC NO: S2016-1041 DRWNLIN06 CHKD:JZENG APPR:KHLIM	2016/12/13 2016/12/15 2016/12/19	DESCRIPTION REV	QUALITY SYMBOLS ▽=0 ▽=0 ▽=0	GENERAL TOLERANCES (UNLESS SPECIFIED)		DIMENSION STYLE MM/IN		SCALE 3:1	DESIGN UNITS METRIC	THIRD ANGLE PROJECTION	
				4 PLACES ± --- ± ---	3 PLACES ± --- ± .010	2 PLACES ± 0.25 ± ---	1 PLACE ± --- ± ---	0 PLACE ± --- ± ---	DRAWN BY MKARADIMAS	DATE 2008/03/10	TITLE LPH VERTICAL RECEPTACLE SIGNAL ASSEMBLY 12 CKT-40 CKT, PRESS-FIT molex
				ANGULAR ±1/2°					APPROVED BY JCOMERC I	DATE 2009/12/03	
				DRAFT WHERE APPLICABLE MUST REMAIN WITHIN DIMENSIONS					MATERIAL NO. SEE CHART	DOCUMENT NO. SD-46113-200	
THIS DRAWING CONTAINS INFORMATION THAT IS PROPRIETARY TO MOLEX INCORPORATED AND SHOULD NOT BE USED WITHOUT WRITTEN PERMISSION											

SIGNAL 24 CKT



RECOMMENDED EDGE CARD LAYOUT
EDGE CARD THICKNESS: 1.57/.062
PLATING: GOLD 30μ INCHES MIN
OVER 150μ INCHES NICKEL



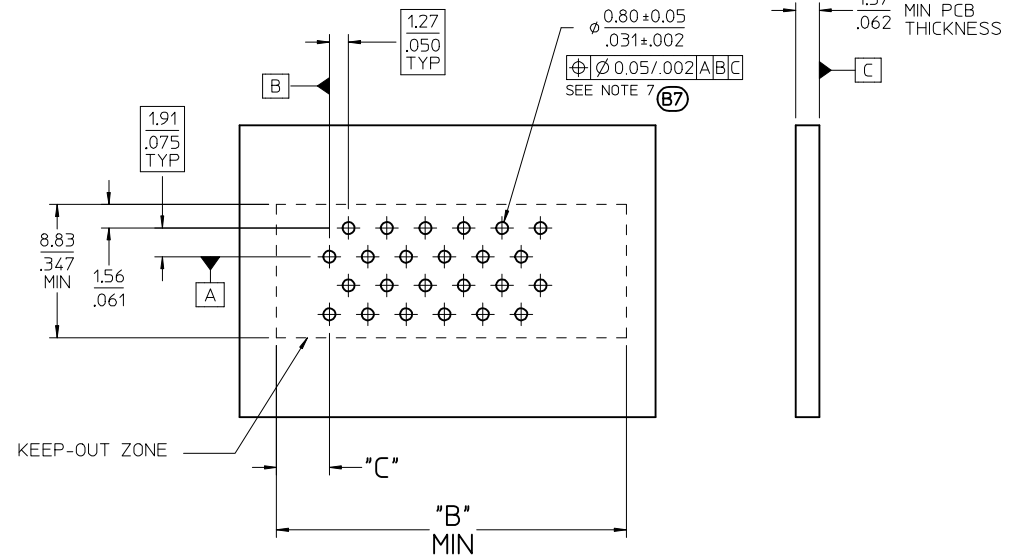
PCB LAYOUT: COMPONENT SIDE
SEE SHT 1 FOR DIMENSIONS

SIGNAL HOUSING ASSY - STANDARD

NO OF CKTS	MATERIAL NUMBER	DIM "B"	DIM "C"	DIM "D"
12	46113-0121	12.65/.498	3.51/.138	8.00/.315
16	46113-0161	15.19/.598		10.54/.415
20	46113-0201	17.73/.698		13.08/.515
24	46113-0241	20.27/.798		15.62/.615
28	46113-0281	22.81/.898		18.16/.715
32	46113-0321	25.35/.998		20.70/.815
36	46113-0361	27.89/1.098		23.24/.915
40	46113-0401	30.43/1.198		25.78/1.015

SIGNAL HOUSING ASSY W/2 GUIDES

NO OF CKTS	MATERIAL NUMBER	DIM "B"	DIM "C"	DIM "D"
12	46113-0123	18.01/.709	5.97/.235	8.00/.315
16	46113-0163	20.55/.809		10.54/.415
20	46113-0203	25.63/1.009		13.08/.515
24	46113-0243	25.88/1.019		15.62/.615
28	46113-0283	28.17/1.109		18.16/.715
32	46113-0323	30.71/1.209		20.70/.815
36	46113-0363	33.25/1.309		23.24/.915
40	46113-0403	35.79/1.409		25.78/1.015



PCB COMPONENT SIDE

UPDATE NOTES EC NO: S2016-1041 DRWNAL: IN06 CHKD: JZENG APPR: KHLIM 2016/12/13 2016/12/15 2016/12/19	DESCRIPTION B7	QUALITY SYMBOLS ∇=0 ∇=0 ∇=0	GENERAL TOLERANCES (UNLESS SPECIFIED)		DIMENSION STYLE MM/IN		SCALE 4:1	DESIGN UNITS METRIC	THIRD ANGLE PROJECTION	
			mm	INCH	DRAWN BY	DATE	TITLE LPH VERTICAL RECEPTACLE SIGNAL ASSEMBLY 12 CKT-40 CKT, PRESS-FIT molex DOCUMENT NO. SD-46113-200 SHEET NO. 2 OF 2			
			4 PLACES ± ---	± ---	MKARADIMAS	2008/03/10				
			3 PLACES ± ---	± .010	CHECKED BY	DATE				
2 PLACES ± 0.25	± ---	MBANDURA	2008/03/14							
1 PLACE ± ---	± ---	APPROVED BY	DATE	THIS DRAWING CONTAINS INFORMATION THAT IS PROPRIETARY TO MOLEX INCORPORATED AND SHOULD NOT BE USED WITHOUT WRITTEN PERMISSION						
0 PLACE ± ---	± ---	JCOMERC I	2009/12/03							
ANGULAR ±1/2°		MATERIAL NO.								
DRAFT WHERE APPLICABLE MUST REMAIN WITHIN DIMENSIONS				SEE CHART						