



产品编号 : 469920210

**Product Description** : Mini-Fit Jr.  
Receptacle Housing, Dual Row, Nylon 6/6,  
UL 94V-2, 2 Circuits, Glow-Wire Capable,  
Black

系列号 : 46992

**状态** : Active

**Product Category** : Connector Housings

---

## 文件和资源

### 图纸

图纸 469920210\_sd.pdf

包装设计图 PK-5557-002-000.pdf

### 3D 模型和设计文件

3D模型 469920210\_stp.zip

### 规格

应用规格 55560001-AS-000.pdf

产品规格 PS-45750-001-001.pdf

产品规格 PS-5556-001-001.pdf

测试摘要 457500003-TS-000.pdf

测试摘要 55560010-TS-000.pdf


测试摘要 TS-5556-002-001.pdf

测试摘要 55570003-TS-000.pdf

---

## 产物环境合规

### 合规

|                    |   |
|--------------------|---|
| GADSL/IMDS         | Not Relevant  |
| China RoHS         |  |
| EU ELV             | Not Relevant  |
| Low-Halogen Status | Not Low-Halogen per IEC 61249-2-21  |
| REACH SVHC         | Not Contained per D(2023)8585-DC (23 Jan 2024)  |
| EU RoHS            | Compliant per EU 2015/863   |

### 多部分产品合规性声明

- Eu RoHS

- REACH SVHC

- Low-Halogen
- IPC 1752A Class C
- IPC 1752A Class D
- Molex Product Compliance Declaration
- IEC-62474
- chemSHERPA (xml)

欧盟 RoHS 合格证书

## 产品详情

### 常规

|      |  |
|------|--|
| 状态   | 活动   |
| 类别   | Connector Housings   |
| 系列   | 46992  |
| 说明   | Mini-Fit Jr. Receptacle Housing, Dual Row, Nylon 6/6, UL 94V-2, 2 Circuits, Glow-Wire Capable, Black |
| 应用   | Power, Wire-to-Board, Wire-to-Wire   |
| 产品系列 | Mini-Fit Family Power Connectors   |
| 产品名称 | Mini-Fit Jr.   |
| UPC  | 887191636795   |

### 机构

|     |         |
|-----|---------|
| CSA | LR19980 |
| UL  | E29179  |

### 物理

|         |            |
|---------|------------|
| 电路数（最多） | 2          |
| 颜色-树脂   | 黑色         |
| 阻燃性     | 94V-2      |
| 性别      | Receptacle |
| 符合灼热丝规范 | 是          |
| 插接极性    | 无          |
| 锁定插接部位  | 是          |
| 材料 - 树脂 | Nylon      |
| 净重      | 0.728/g    |

|           |                 |
|-----------|-----------------|
| 行数        | 2               |
| 包装形式      | Bag             |
| 面板安装式     | 否               |
| 间距 - 插配接口 | 4.20mm          |
| 间距 - 终端界面 | 4.20mm          |
| 有极性的插配件   | 是               |
| 端口        | 1               |
| 可堆叠的      | 否               |
| 运行温度范围    | -40° to +105° C |

进程

|    |     |
|----|-----|
| 无铅 | 不适用 |
|----|-----|

---

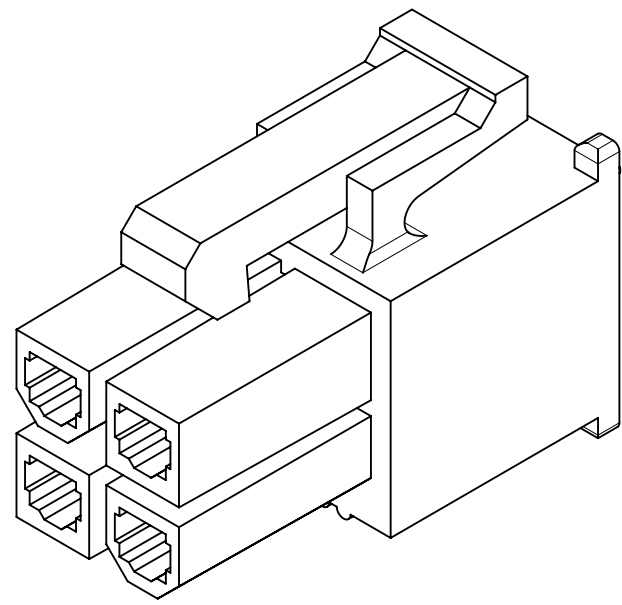
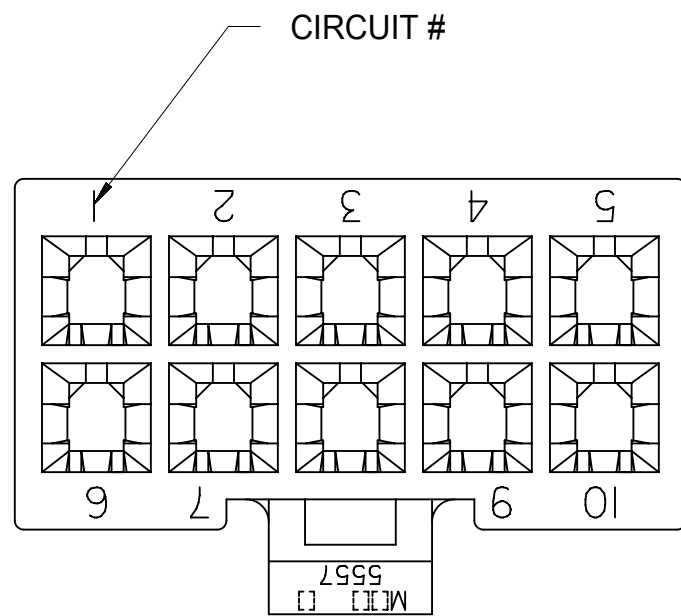
可配插/可连接使用的产品

可配插部件

| 描述  | 产品编号         |
|---|--------------|
| Mini-Fit Jr. Dual Row Plug Housings                             | <u>46993</u> |
| Mini-Fit Jr. Right-Angle Dual Row Reflow Solder Capable Headers | <u>46991</u> |

可连接使用部件

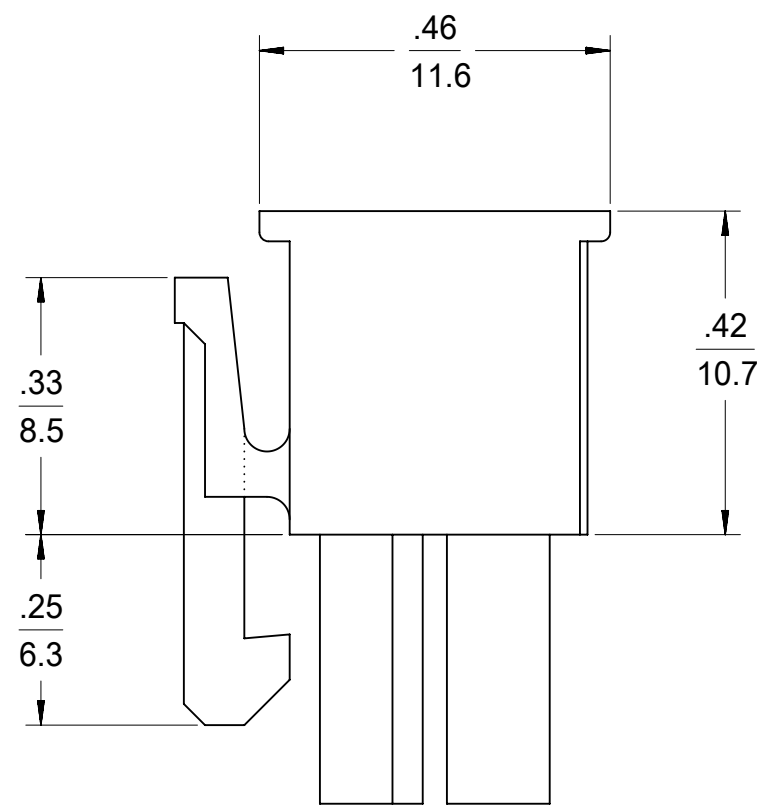
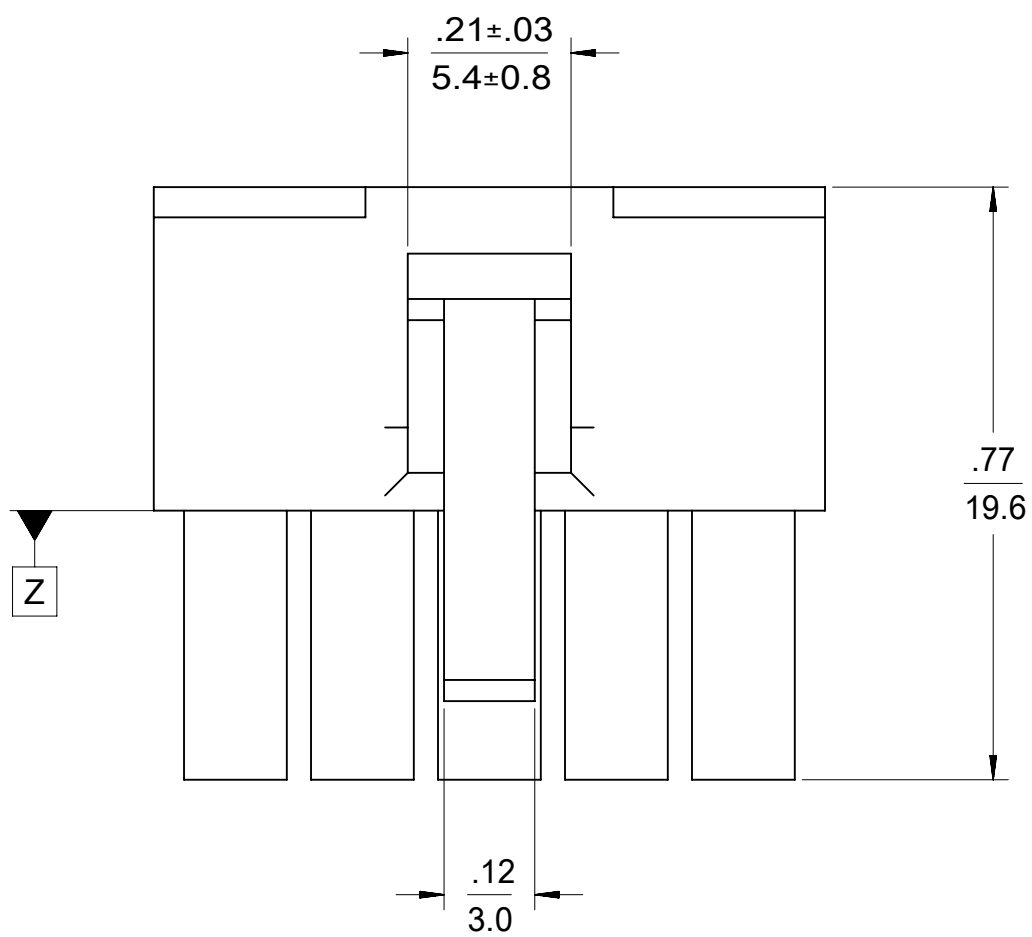
| 描述                                   | 产品编号         |
|--------------------------------------|--------------|
| Mini-Fit Female Crimp Terminals      | <u>5556</u>  |
| Mini-Fit Plus Female Crimp Terminals | <u>45750</u> |



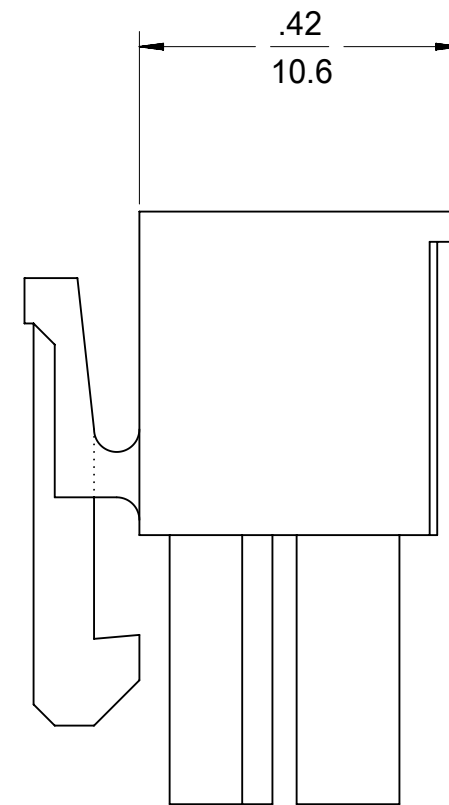
4 CKT SHOWN

NOTES:

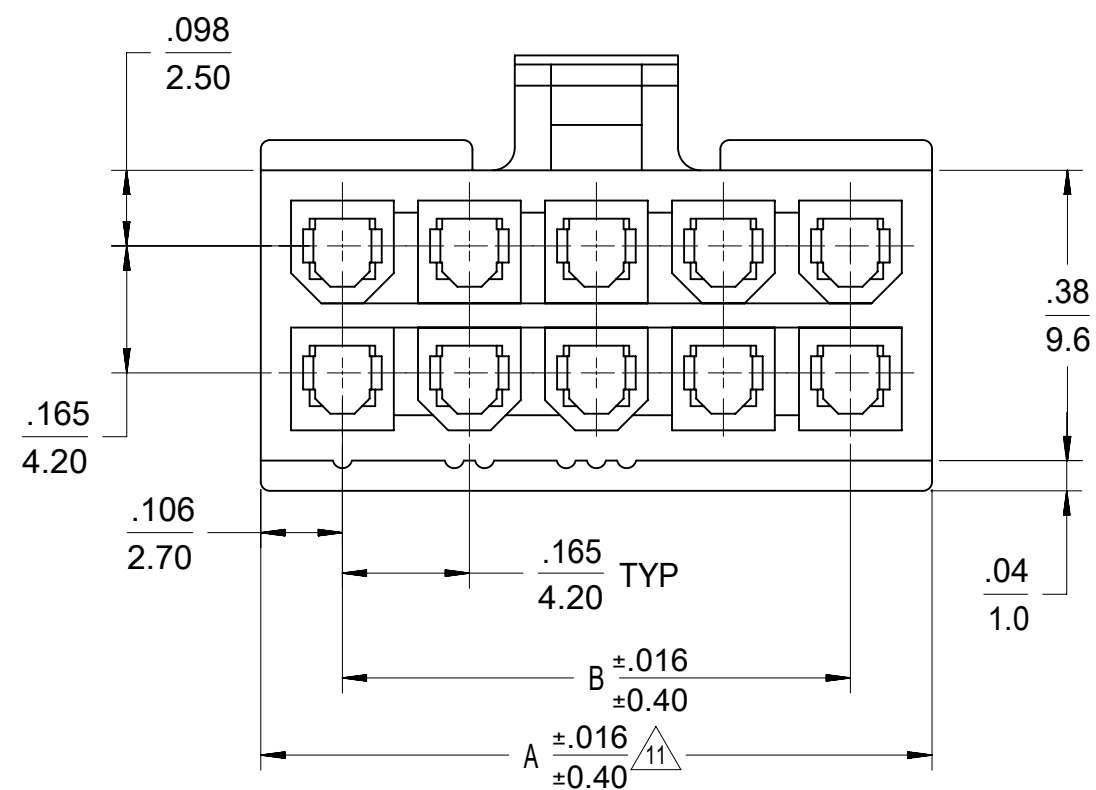
- 1) MATERIAL:
  - 225S = NYLON 6, UL94V-2, GLOW WIRE MATERIAL COLOR: BLACK
  - 225NS = NYLON 6, UL94V-2, GLOW WIRE MATERIAL COLOR: NATURAL
  - 250RS = NYLON 6/6, UL94V-0, GLOW WIRE MATERIAL COLOR: RED
  - 250GS = NYLON 6/6, UL94V-0, GLOW WIRE MATERIAL COLOR: GREEN
  - 250BS = NYLON 6/6, UL94V-0, GLOW WIRE MATERIAL COLOR: BLUE
  - 250WS = NYLON 6/6, UL94V-0, GLOW WIRE MATERIAL COLOR: NATURAL
- 2) FINISH: NOT APPLICABLE
- 3) PRODUCT SPECIFICATION: PS-5556-001
- 4) PACKAGING: BULK
- 5) PART MATES WITH MOLEX PLUG #46993 AND HEADERS #172447, #172448.
- 6) PART TO BE USED WITH MOLEX FEMALE TERMINAL #5556, #45750, #46018.
- 7) PART IS NOT DESIGNED FOR CURRENT SHARING.
- 8) CONNECTORS ARE NOT TO BE MATED OR UNMATED WHILE CIRCUITS ARE LIVE.
- 9) WIRES ARE TO BE DRESSED IN SUCH A MANNER TO ALLOW THE TERMINALS TO FLOAT FREELY IN THE POCKET.
- 10) PART CONFORMS TO CLASS "B" REQUIREMENTS OF COSMETIC SPECIFICATION PS-45499-002 WITH THE EXCEPTION OF DISCOLORATION, FLASH AND SINK MEET CLASS "C" REQUIREMENTS.
  - △ TO BE MEASURED AT SURFACE Z
- 12) TEXT ON PART IS FOR REFERENCE ONLY. TEXT AND TEXT LOCATION MAY VARY DEPENDING ON PART NUMBER AND/OR TOOL.
- 13) APPLICATION SPECIFICATION :469920000-AS.
- 14) BUBBLE IS ACCEPTABLE ON LATCH AREA.



4-24 CKT



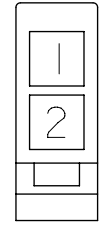
2 CKT ONLY



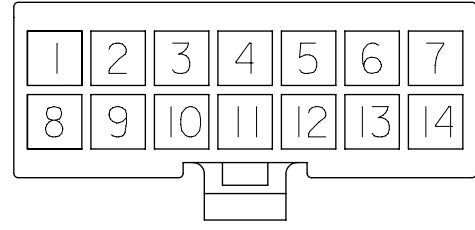
LEGEND

- 46992 -\*\*\* 0
- CIRCUIT SIZE
- MATERIAL (SEE NOTE 1)
- 0 = 225NS
  - 1 = 225S
  - 2 = 250RS
  - 3 = 250GS
  - 4 = 250BS
  - 5 = 250WS
- CONFIGURATION DUAL ROW

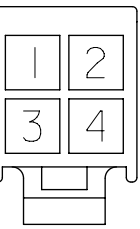
|   |  |       |  |                           |  |                |  |   |  |
|---|--|-------|--|---------------------------|--|----------------|--|---|--|
| THIS DRAWING CONTAINS INFORMATION THAT IS PROPRIETARY TO MOLEX ELECTRONIC TECHNOLOGIES, LLC AND SHOULD NOT BE USED WITHOUT WRITTEN PERMISSION |  |       |  |                           |  |                |  |   |  |
| DIMENSION UNITS   |  | SCALE |  | CURRENT REV DESC:         |  |                |  |   |  |
| mm  |  | NTS   |  |                           |  |                |  |   |  |
| GENERAL TOLERANCES (UNLESS SPECIFIED)   |  |       |  | EC NO: 776137             |  |                |  | MINIFIT JR<br>RECEPTACLE HOUSING DUAL ROW, 2-24 CKT |  |
|   |  |       |  | DRWN: JERRYW8 2024/02/01  |  |                |  |   |  |
| 4 PLACES ±  |  |       |  | CHK'D: XQZHANG 2024/02/22 |  |                |  | PRODUCT CUSTOMER DRAWING                            |  |
| 3 PLACES ±  |  |       |  | APPR: XQZHANG 2024/02/22  |  |                |  |   |  |
| 2 PLACES ± 0.25 ± 0.015   |  |       |  | INITIAL REVISION:         |  |                |  | DOCUMENT NUMBER                                     |  |
| 1 PLACE ± 0.38 ±  |  |       |  | DRWN: NNGUYEN 2013/04/12  |  |                |  |   |  |
| 0 PLACES ±  |  |       |  | APPR: FSMITH 2014/05/16   |  |                |  | SD-46992-0000                                       |  |
| ANGULAR TOL ± 3.0 °   |  |       |  | THIRD ANGLE PROJECTION    |  | DRAWING        |  | SHEET NUMBER  |  |
| DRAFT WHERE APPLICABLE MUST REMAIN WITHIN DIMENSIONS  |  |       |  | C-SIZE                    |  | SERIES         |  | MATERIAL NUMBER                                     |  |
|   |  |       |  |                           |  | 46992          |  | CUSTOMER  |  |
|   |  |       |  |                           |  | GENERAL MARKET |  | 1 OF 2  |  |



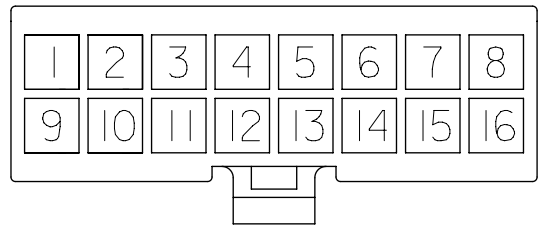
2 CKT.



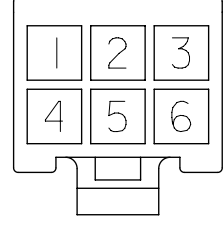
14 CKT.



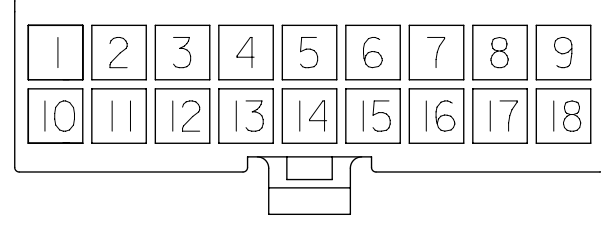
4 CKT.



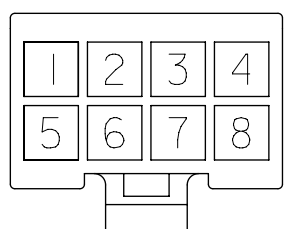
16 CKT.



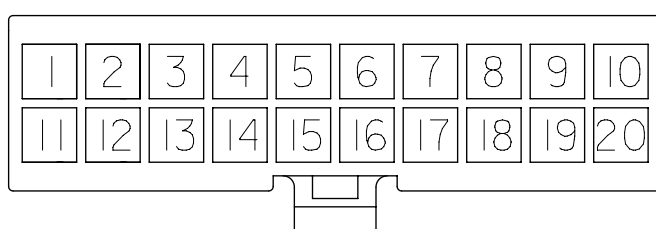
6 CKT.



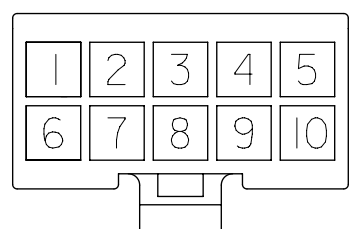
18 CKT.



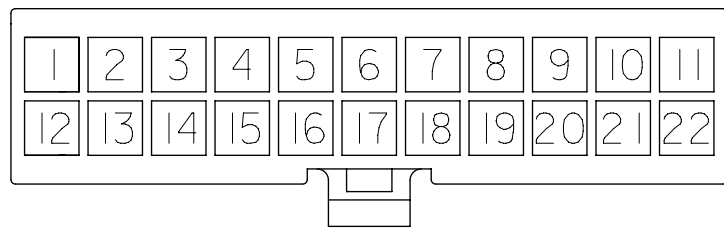
8 CKT.



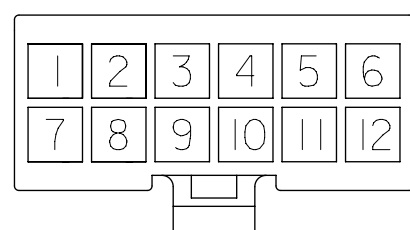
20 CKT.



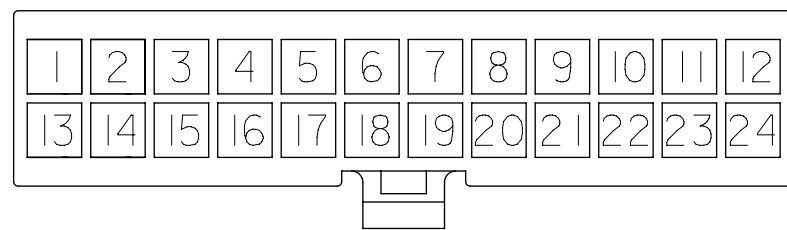
10 CKT.



22 CKT.



12 CKT.



24 CKT.

**CIRCUIT SIZE LAYOUT  
(NOT TO SCALE)**

| PART NUMBER | CKT SIZE | DIM "A"   | DIM "B"    | MATERIAL CODE & COLOR |
|-------------|----------|-----------|------------|-----------------------|
| 46992-0240  | 02       | .21/5.40  | --         | 250BS<br>BLUE (V0)    |
| 46992-0440  | 04       | .38/9.60  | .165/4.20  |                       |
| 46992-0640  | 06       | .54/13.8  | .331/8.40  |                       |
| 46992-0840  | 08       | .71/18.0  | .496/12.60 |                       |
| 46992-1040  | 10       | .87/22.2  | .661/16.8  |                       |
| 46992-1240  | 12       | 1.04/26.4 | .827/21.00 |                       |
| 46992-0250  | 02       | .21/5.40  | --         | 250WS<br>NATURAL (V0) |
| 46992-0450  | 04       | .38/9.60  | .165/4.20  |                       |
| 46992-0650  | 06       | .54/13.8  | .331/8.40  |                       |
| 46992-0850  | 08       | .71/18.0  | .496/12.60 |                       |
| 46992-1050  | 10       | .87/22.2  | .661/16.8  |                       |
| 46992-1250  | 12       | 1.04/26.4 | .827/21.00 |                       |

| PART NUMBER | CKT SIZE | DIM "A"     | DIM "B"     | MATERIAL CODE & COLOR |
|-------------|----------|-------------|-------------|-----------------------|
| 46992-0200  | 02       | .21/5.40    | --          | 225NS<br>NATURAL (V2) |
| 46992-0400  | 04       | .38/9.60    | .165/4.20   |                       |
| 46992-0600  | 06       | .54/13.8    | .331/8.40   |                       |
| 46992-0800  | 08       | .71/18.0    | .496/12.60  |                       |
| 46992-1000  | 10       | .87/22.2    | .661/16.8   |                       |
| 46992-1200  | 12       | 1.04/26.4   | .827/21.00  |                       |
| 46992-1400  | 14       | 1.21 / 30.6 | .992/25.20  |                       |
| 46992-1600  | 16       | 1.37 / 34.8 | 1.158/29.40 |                       |
| 46992-1800  | 18       | 1.54 / 39.0 | 1.323/33.60 |                       |
| 46992-2000  | X 20     | 1.70 / 43.2 | 1.488/37.80 |                       |
| 46992-2200  | X 22     | 1.87 / 47.4 | 1.654/42.00 |                       |
| 46992-2400  | X 24     | 2.03 / 51.6 | 1.819/46.20 |                       |
| 46992-0210  | 02       | .21/5.40    | --          | 225S<br>BLACK (V2)    |
| 46992-0410  | 04       | .38/9.60    | .165/4.20   |                       |
| 46992-0610  | 06       | .54/13.8    | .331/8.40   |                       |
| 46992-0810  | 08       | .71/18.0    | .496/12.60  |                       |
| 46992-1010  | 10       | .87/22.2    | .661/16.8   |                       |
| 46992-1210  | 12       | 1.04/26.4   | .827/21.00  |                       |
| 46992-1410  | 14       | 1.21 / 30.6 | .992/25.20  |                       |
| 46992-1610  | 16       | 1.37 / 34.8 | 1.158/29.40 |                       |
| 46992-1810  | 18       | 1.54 / 39.0 | 1.323/33.60 |                       |
| 46992-2010  | X 20     | 1.70 / 43.2 | 1.488/37.80 |                       |
| 46992-2210  | X 22     | 1.87 / 47.4 | 1.654/42.00 |                       |
| 46992-2410  | 24       | 2.03 / 51.6 | 1.819/46.20 |                       |
| 46992-0220  | 02       | .21/5.40    | --          | 250RS<br>RED (V0)     |
| 46992-0420  | 04       | .38/9.60    | .165/4.20   |                       |
| 46992-0620  | 06       | .54/13.8    | .331/8.40   |                       |
| 46992-0820  | 08       | .71/18.0    | .496/12.60  |                       |
| 46992-1020  | 10       | .87/22.2    | .661/16.8   |                       |
| 46992-1220  | 12       | 1.04/26.4   | .827/21.00  |                       |
| 46992-0230  | 02       | .21/5.40    | --          | 250GS<br>GREEN (V0)   |
| 46992-0430  | 04       | .38/9.60    | .165/4.20   |                       |
| 46992-0630  | 06       | .54/13.8    | .331/8.40   |                       |
| 46992-0830  | 08       | .71/18.0    | .496/12.60  |                       |
| 46992-1030  | 10       | .87/22.2    | .661/16.8   |                       |
| 46992-1230  | 12       | 1.04/26.4   | .827/21.00  |                       |

X = NOT TOOLED

THIS DRAWING CONTAINS INFORMATION THAT IS PROPRIETARY TO MOLEX ELECTRONIC TECHNOLOGIES, LLC AND SHOULD NOT BE USED WITHOUT WRITTEN PERMISSION

|  |                |                        |                |   |
|--|----------------|------------------------|----------------|---|
| DIMENSION UNITS                                      | SCALE          | CURRENT REV DESC:      |                | <b>molex</b>  |
| mm   | NTS            |                        |                |   |
| GENERAL TOLERANCES (UNLESS SPECIFIED)                |                |                        |                | <b>MINIFIT JR</b><br>RECEPTACLE HOUSING DUAL ROW, 2-24 CKT<br><br>PRODUCT CUSTOMER DRAWING                                |
|  | MM             | INCH                   |                |   |
| 4 PLACES   | ±              | ±                      |                |   |
| 3 PLACES   | ±              | ± 0.01                 |                |   |
| 2 PLACES   | ± 0.25         | ± 0.015                |                |   |
| 1 PLACE  | ± 0.38         | ±                      |                |   |
| 0 PLACES   | ±              | ±                      |                |   |
| ANGULAR TOL  | ± 3.0 °        |                        |                |   |
| DRAFT WHERE APPLICABLE MUST REMAIN WITHIN DIMENSIONS |                | THIRD ANGLE PROJECTION | DRAWING SERIES | EC NO: 776137<br>DRWN: JERRYW8<br>CHK'D: XQZHANG<br>APPR: XQZHANG<br>2024/02/22<br>2024/02/22<br>2013/04/12<br>2014/05/16 |
| DOCUMENT NUMBER                                      | DOC TYPE       | DOC PART               | REVISION       |   |
| SD-46992-0000  | PSD            | 000                    | A10            |   |
| MATERIAL NUMBER                                      | CUSTOMER       | SHEET NUMBER           |                |   |
| SEE TABLE  | GENERAL MARKET | 2 OF 2                 |                |   |