



产品编号 : 469920410

**Product Description** : Mini-Fit Jr.  
Receptacle Housing, Dual Row, Nylon 6/6,  
UL 94V-2, 4 Circuits, Glow-Wire Capable,  
Black

系列号 : 46992

**状态** : Active

**Product Category** : Connector Housings

---

## 文件和资源

### 图纸

图纸 469920410\_sd.pdf

包装设计图 PK-5557-002-000.pdf

### 3D 模型和设计文件

3D模型 469920410\_stp.zip

### 规格

应用规格 55560001-AS-000.pdf

产品规格 PS-45750-001-001.pdf

产品规格 PS-5556-001-001.pdf

测试摘要 457500003-TS-000.pdf

测试摘要 55560010-TS-000.pdf


测试摘要 TS-5556-002-001.pdf

测试摘要 55570003-TS-000.pdf

---

## 产物环境合规

### 合规

GADSL/IMDS	Not Relevant
China RoHS	
EU ELV	Not Relevant
Low-Halogen Status	Not Low-Halogen per IEC 61249-2-21
REACH SVHC	Not Contained per D(2023)8585-DC (23 Jan 2024)
EU RoHS	Compliant per EU 2015/863

### 多部分产品合规性声明

- Eu RoHS

- REACH SVHC

- Low-Halogen
- IPC 1752A Class C
- IPC 1752A Class D
- Molex Product Compliance Declaration
- IEC-62474
- chemSHERPA (xml)

欧盟 RoHS 合格证书

## 产品详情

### 常规

状态	活动
类别	Connector Housings
系列	46992
说明	Mini-Fit Jr. Receptacle Housing, Dual Row, Nylon 6/6, UL 94V-2, 4 Circuits, Glow-Wire Capable, Black
应用	Power, Wire-to-Board, Wire-to-Wire
产品系列	Mini-Fit Family Power Connectors
产品名称	Mini-Fit Jr.
UPC	887191637372

### 机构

CSA	LR19980
UL	E29179

### 物理

电路数 (最多)	4
颜色-树脂	黑色
阻燃性	94V-2
性别	Receptacle
符合灼热丝规范	是
插接极性	无
锁定插接部位	是
材料 - 树脂	Nylon
净重	1.147/g

行数	2
包装形式	Bag
面板安装式	否
间距 - 插配接口	4.20mm
间距 - 终端界面	4.20mm
有极性的插配件	是
端口	1
可堆叠的	否
运行温度范围	-40° to +105° C

进程

无铅	不适用
----	-----

---

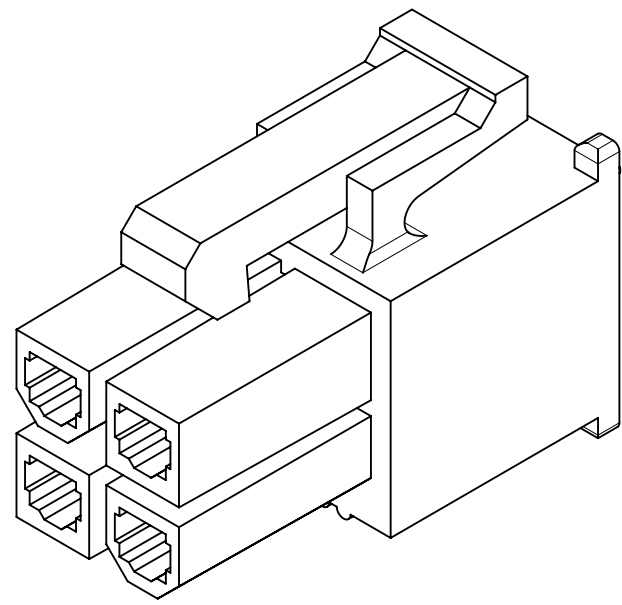
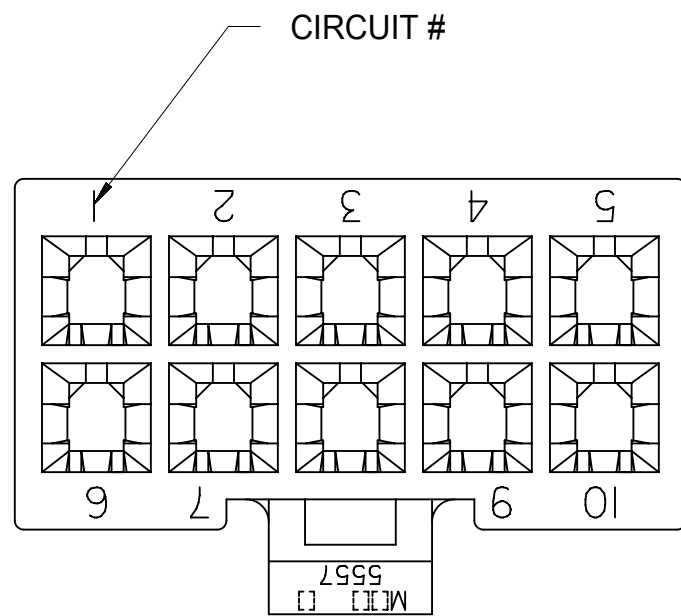
可配插/可连接使用的产品

可配插部件

描述	产品编号
Mini-Fit Jr. Dual Row Plug Housings	<u>46993</u>
Mini-Fit Jr. Right-Angle Dual Row Reflow Solder Capable Headers	<u>46991</u>

可连接使用部件

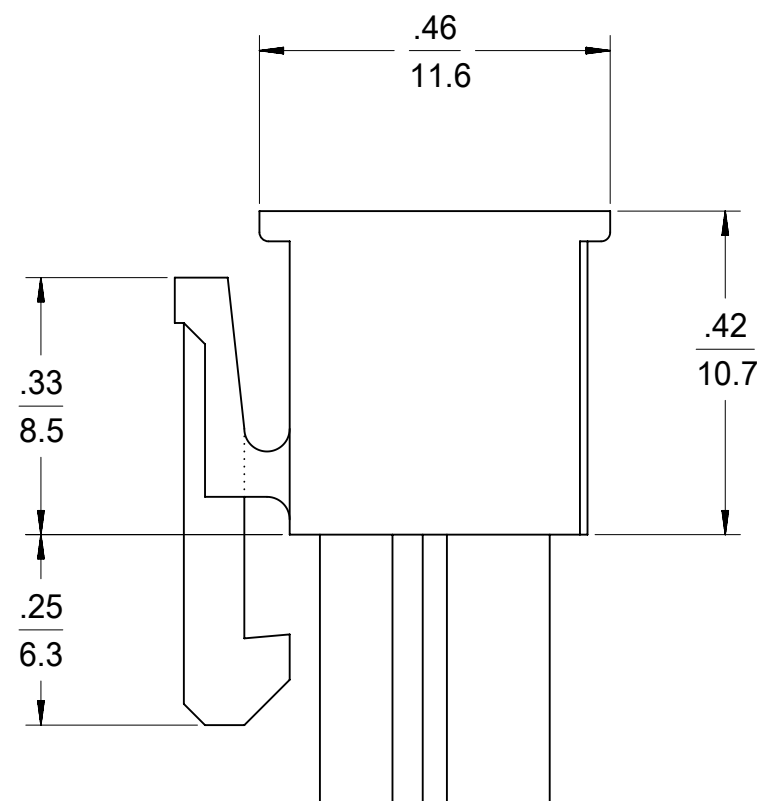
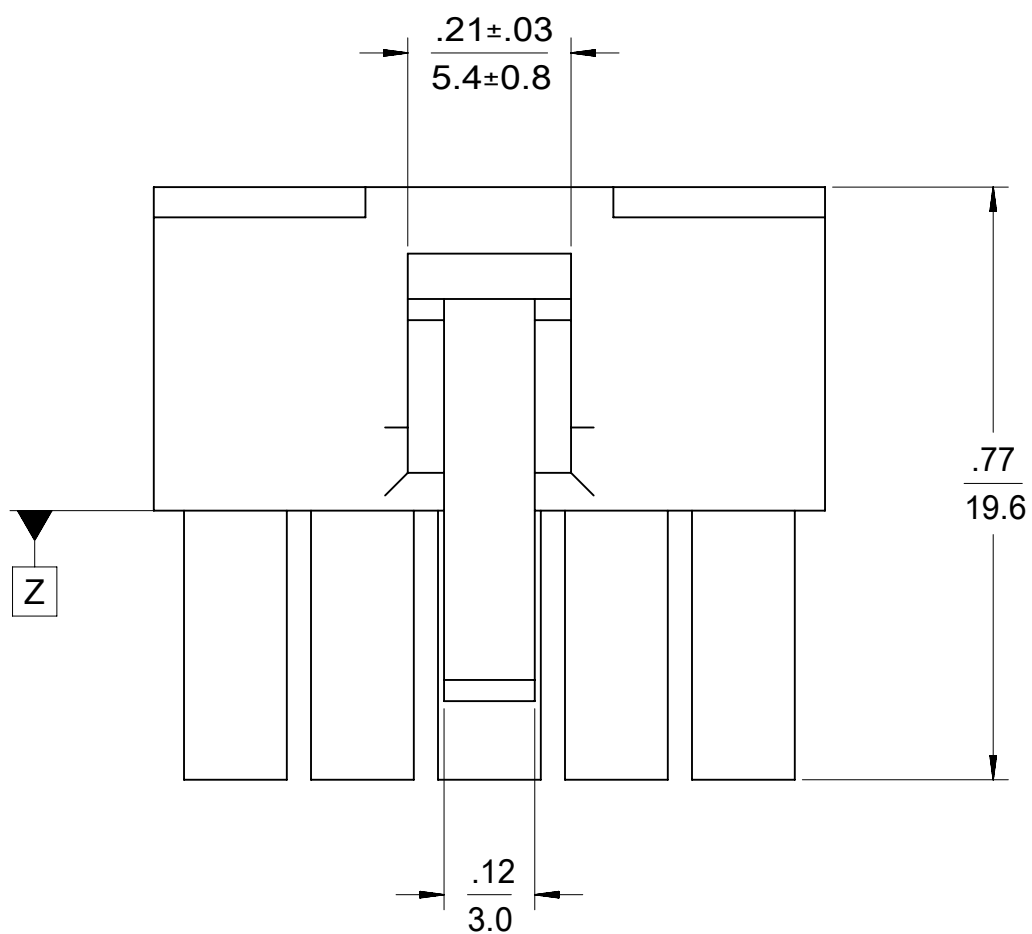
描述	产品编号
Mini-Fit Female Crimp Terminals	<u>5556</u>
Mini-Fit Plus Female Crimp Terminals	<u>45750</u>



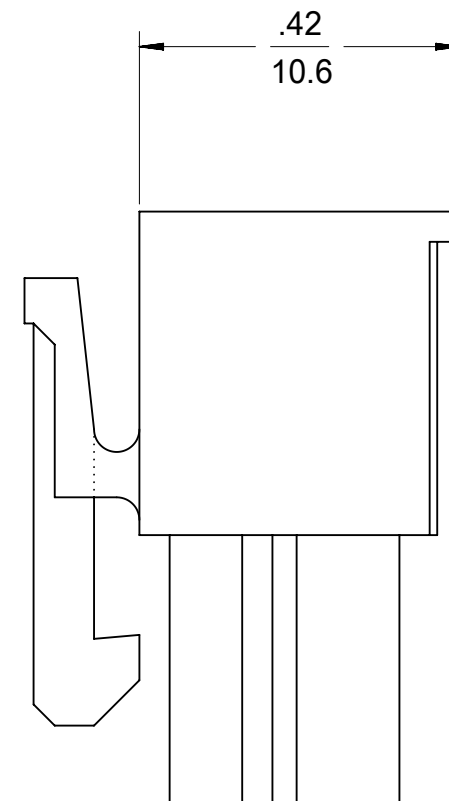
4 CKT SHOWN

NOTES:

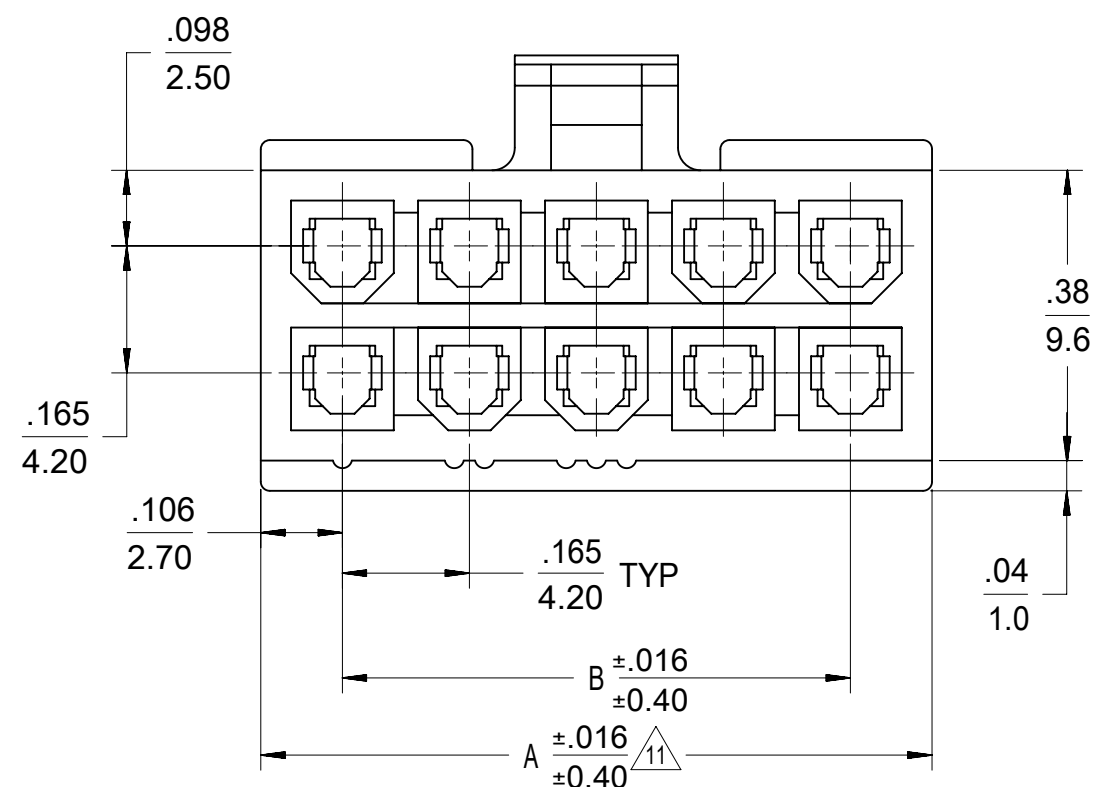
- 1) MATERIAL:
  - 225S = NYLON 6, UL94V-2, GLOW WIRE MATERIAL COLOR: BLACK
  - 225NS = NYLON 6, UL94V-2, GLOW WIRE MATERIAL COLOR: NATURAL
  - 250RS = NYLON 6/6, UL94V-0, GLOW WIRE MATERIAL COLOR: RED
  - 250GS = NYLON 6/6, UL94V-0, GLOW WIRE MATERIAL COLOR: GREEN
  - 250BS = NYLON 6/6, UL94V-0, GLOW WIRE MATERIAL COLOR: BLUE
  - 250WS = NYLON 6/6, UL94V-0, GLOW WIRE MATERIAL COLOR: NATURAL
- 2) FINISH: NOT APPLICABLE
- 3) PRODUCT SPECIFICATION: PS-5556-001
- 4) PACKAGING: BULK
- 5) PART MATES WITH MOLEX PLUG #46993 AND HEADERS #172447, #172448.
- 6) PART TO BE USED WITH MOLEX FEMALE TERMINAL #5556, #45750, #46018.
- 7) PART IS NOT DESIGNED FOR CURRENT SHARING.
- 8) CONNECTORS ARE NOT TO BE MATED OR UNMATED WHILE CIRCUITS ARE LIVE.
- 9) WIRES ARE TO BE DRESSED IN SUCH A MANNER TO ALLOW THE TERMINALS TO FLOAT FREELY IN THE POCKET.
- 10) PART CONFORMS TO CLASS "B" REQUIREMENTS OF COSMETIC SPECIFICATION PS-45499-002 WITH THE EXCEPTION OF DISCOLORATION, FLASH AND SINK MEET CLASS "C" REQUIREMENTS.
  - △ TO BE MEASURED AT SURFACE Z
- 12) TEXT ON PART IS FOR REFERENCE ONLY. TEXT AND TEXT LOCATION MAY VARY DEPENDING ON PART NUMBER AND/OR TOOL.
- 13) APPLICATION SPECIFICATION :469920000-AS.
- 14) BUBBLE IS ACCEPTABLE ON LATCH AREA.



4-24 CKT



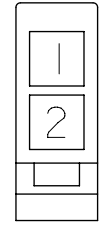
2 CKT ONLY



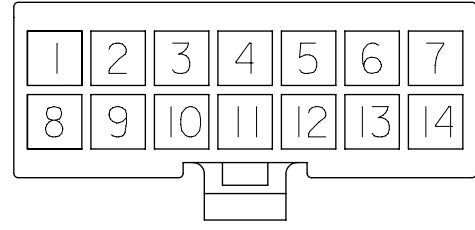
LEGEND

- 46992 -\*\*\* 0
- CIRCUIT SIZE →
- MATERIAL (SEE NOTE 1)
- 0 = 225NS
  - 1 = 225S
  - 2 = 250RS
  - 3 = 250GS
  - 4 = 250BS
  - 5 = 250WS
- CONFIGURATION →
- DUAL ROW

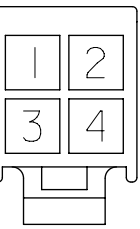
THIS DRAWING CONTAINS INFORMATION THAT IS PROPRIETARY TO MOLEX ELECTRONIC TECHNOLOGIES, LLC AND SHOULD NOT BE USED WITHOUT WRITTEN PERMISSION									
DIMENSION UNITS		SCALE		CURRENT REV DESC:					
mm		NTS		EC NO: 776137					
GENERAL TOLERANCES (UNLESS SPECIFIED)				DRWN: JERRYW8 2024/02/01				<b>MINIFIT JR</b> RECEPTACLE HOUSING DUAL ROW, 2-24 CKT	
4 PLACES ±		±		CHK'D: XQZHANG 2024/02/22					
3 PLACES ±		± 0.01		APPR: XQZHANG 2024/02/22				PRODUCT CUSTOMER DRAWING DOCUMENT NUMBER: <b>SD-46992-0000</b>   DOC TYPE: PSD   DOC PART: 000   REVISION: A10	
2 PLACES ±		± 0.25 ± 0.015		INITIAL REVISION:					
1 PLACE ±		± 0.38 ±		DRWN: NNGUYEN 2013/04/12				MATERIAL NUMBER: SEE TABLE   CUSTOMER: GENERAL MARKET   SHEET NUMBER: 1 OF 2	
0 PLACES ±		±		APPR: FSMITH 2014/05/16					
ANGULAR TOL ± 3.0 °		THIRD ANGLE PROJECTION		DRAWING		SERIES		C-SIZE	
DRAFT WHERE APPLICABLE MUST REMAIN WITHIN DIMENSIONS				C-SIZE		46992			



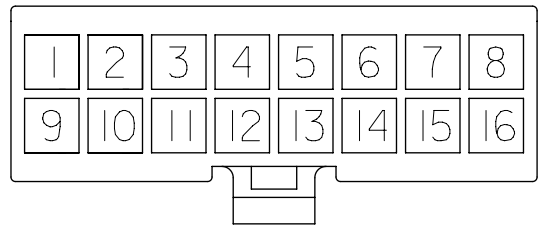
2 CKT.



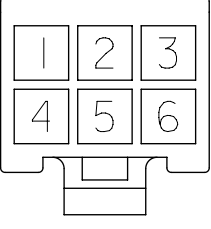
14 CKT.



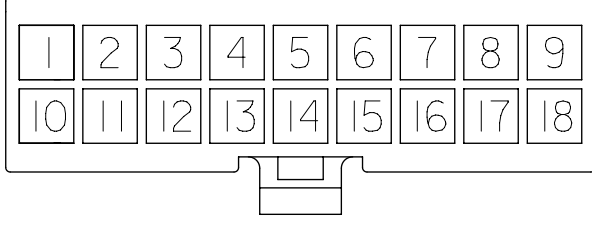
4 CKT.



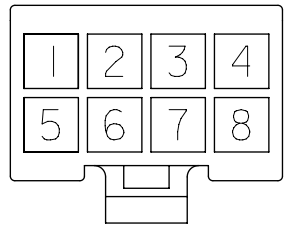
16 CKT.



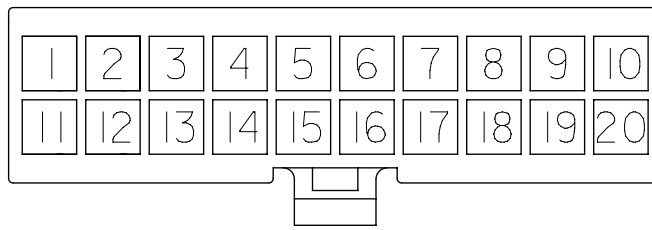
6 CKT.



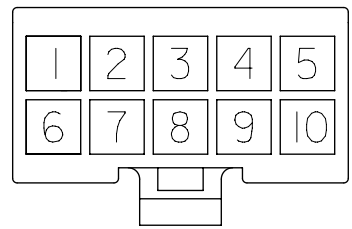
18 CKT.



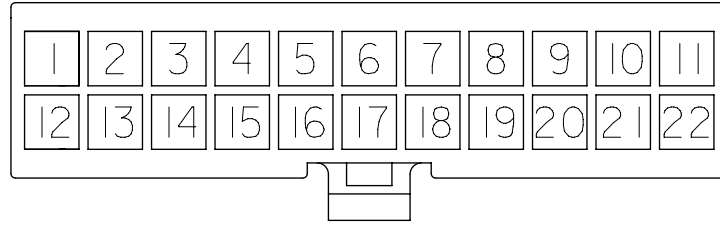
8 CKT.



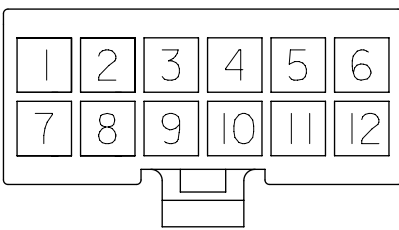
20 CKT.



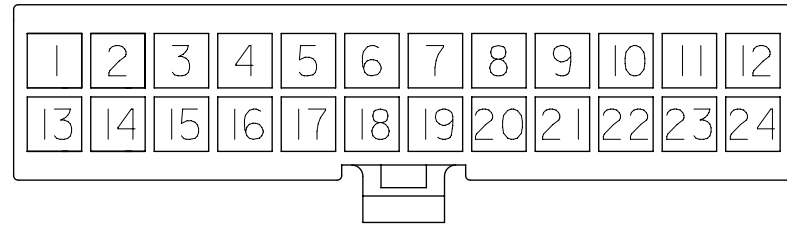
10 CKT.



22 CKT.



12 CKT.



24 CKT.

**CIRCUIT SIZE LAYOUT  
(NOT TO SCALE)**

PART NUMBER	CKT SIZE	DIM "A"	DIM "B"	MATERIAL CODE & COLOR
46992-0240	02	.21/5.40	--	250BS BLUE (V0)
46992-0440	04	.38/9.60	.165/4.20	
46992-0640	06	.54/13.8	.331/8.40	
46992-0840	08	.71/18.0	.496/12.60	
46992-1040	10	.87/22.2	.661/16.8	
46992-1240	12	1.04/26.4	.827/21.00	
46992-0250	02	.21/5.40	--	250WS NATURAL (V0)
46992-0450	04	.38/9.60	.165/4.20	
46992-0650	06	.54/13.8	.331/8.40	
46992-0850	08	.71/18.0	.496/12.60	
46992-1050	10	.87/22.2	.661/16.8	
46992-1250	12	1.04/26.4	.827/21.00	

PART NUMBER	CKT SIZE	DIM "A"	DIM "B"	MATERIAL CODE & COLOR
46992-0200	02	.21/5.40	--	225NS NATURAL (V2)
46992-0400	04	.38/9.60	.165/4.20	
46992-0600	06	.54/13.8	.331/8.40	
46992-0800	08	.71/18.0	.496/12.60	
46992-1000	10	.87/22.2	.661/16.8	
46992-1200	12	1.04/26.4	.827/21.00	
46992-1400	14	1.21 / 30.6	.992/25.20	
46992-1600	16	1.37 / 34.8	1.158/29.40	
46992-1800	18	1.54 / 39.0	1.323/33.60	
46992-2000	X 20	1.70 / 43.2	1.488/37.80	
46992-2200	X 22	1.87 / 47.4	1.654/42.00	
46992-2400	X 24	2.03 / 51.6	1.819/46.20	

46992-0210	02	.21/5.40	--	225S BLACK (V2)
46992-0410	04	.38/9.60	.165/4.20	
46992-0610	06	.54/13.8	.331/8.40	
46992-0810	08	.71/18.0	.496/12.60	
46992-1010	10	.87/22.2	.661/16.8	
46992-1210	12	1.04/26.4	.827/21.00	
46992-1410	14	1.21 / 30.6	.992/25.20	
46992-1610	16	1.37 / 34.8	1.158/29.40	
46992-1810	18	1.54 / 39.0	1.323/33.60	
46992-2010	X 20	1.70 / 43.2	1.488/37.80	
46992-2210	X 22	1.87 / 47.4	1.654/42.00	
46992-2410	24	2.03 / 51.6	1.819/46.20	

46992-0220	02	.21/5.40	--	250RS RED (V0)
46992-0420	04	.38/9.60	.165/4.20	
46992-0620	06	.54/13.8	.331/8.40	
46992-0820	08	.71/18.0	.496/12.60	
46992-1020	10	.87/22.2	.661/16.8	
46992-1220	12	1.04/26.4	.827/21.00	

46992-0230	02	.21/5.40	--	250GS GREEN (V0)
46992-0430	04	.38/9.60	.165/4.20	
46992-0630	06	.54/13.8	.331/8.40	
46992-0830	08	.71/18.0	.496/12.60	
46992-1030	10	.87/22.2	.661/16.8	
46992-1230	12	1.04/26.4	.827/21.00	

X = NOT TOOLED

THIS DRAWING CONTAINS INFORMATION THAT IS PROPRIETARY TO MOLEX ELECTRONIC TECHNOLOGIES, LLC AND SHOULD NOT BE USED WITHOUT WRITTEN PERMISSION

DIMENSION UNITS		SCALE		CURRENT REV. DESC.					
mm		NTS							
GENERAL TOLERANCES (UNLESS SPECIFIED)						<b>MINIFIT JR</b> RECEPTACLE HOUSING DUAL ROW, 2-24 CKT  PRODUCT CUSTOMER DRAWING  DOCUMENT NUMBER: <b>SD-46992-0000</b>   DOC TYPE: PSD   DOC PART: 000   REVISION: A10  MATERIAL NUMBER: SEE TABLE   CUSTOMER: GENERAL MARKET   SHEET NUMBER: 2 OF 2			
		MM	INCH						
4 PLACES	±		±						
3 PLACES	±		± 0.01						
2 PLACES	±	0.25	± 0.015						
1 PLACE	±	0.38	±						
0 PLACES	±		±						
ANGULAR TOL		± 3.0 °							
DRAFT WHERE APPLICABLE MUST REMAIN WITHIN DIMENSIONS		THIRD ANGLE PROJECTION		DRAWING SERIES					
				C-SIZE 46992					

EC NO: 776137  
DRWN: JERRYW8 2024/02/01  
CHK'D: XQZHANG 2024/02/22  
APPR: XQZHANG 2024/02/22  
INITIAL REVISION:  
DRWN: NNGUYEN 2013/04/12  
APPR: FSMITH 2014/05/16