



产品编号 : [469921610](#)

**Product Description** : Mini-Fit Jr.  
Receptacle Housing, Dual Row, Nylon 6/6,  
UL 94V-2, 16 Circuits, Glow-Wire Capable,  
Black

系列号 : 46992

状态 : Active

**Product Category** : Connector Housings



---

## 文件和资源

### 图纸

[图纸 469921610\\_sd.pdf](#)

[包装设计图 PK-5557-002-000.pdf](#)

### 3D 模型和设计文件

[3D模型 469921610\\_stp.zip](#)

### 规格

[应用规格 55560001-AS-000.pdf](#)

[产品规格 PS-45750-001-001.pdf](#)

[产品规格 PS-5556-001-001.pdf](#)

[测试摘要 457500003-TS-000.pdf](#)

[测试摘要 55560010-TS-000.pdf](#)

[测试摘要 TS-5556-002-001.pdf](#)

---

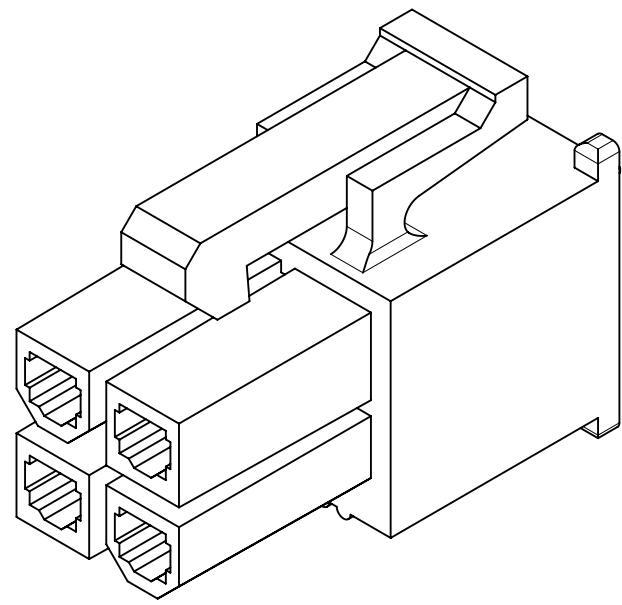
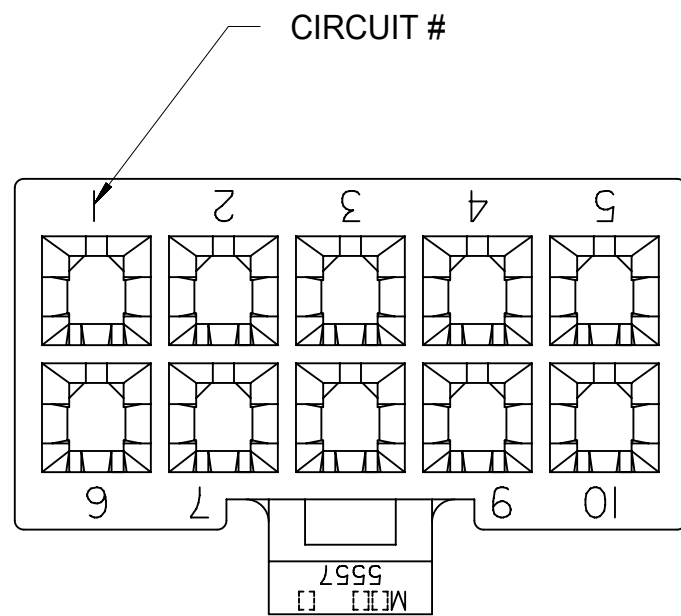
## 产物环境合规

### 合规

GADSL/IMDS	Not Relevant
China RoHS	
EU ELV	Not Relevant
Low-Halogen Status	Not Low-Halogen per IEC 61249-2-21
REACH SVHC	Not Contained per D(2023)3788-DC (14 Jun 2023)
EU RoHS	Compliant per EU 2015/863

### [多部分产品合规性声明](#)

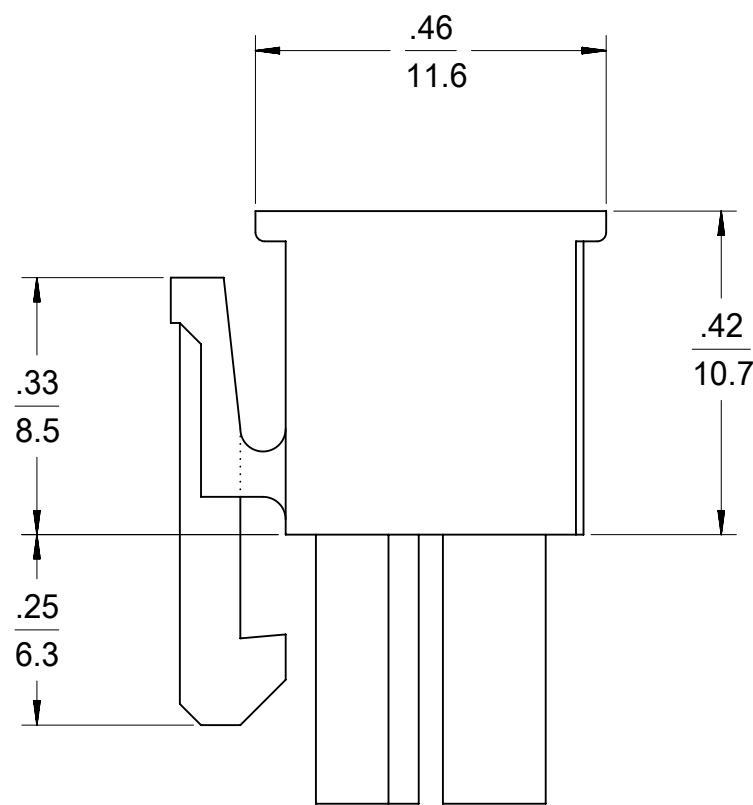
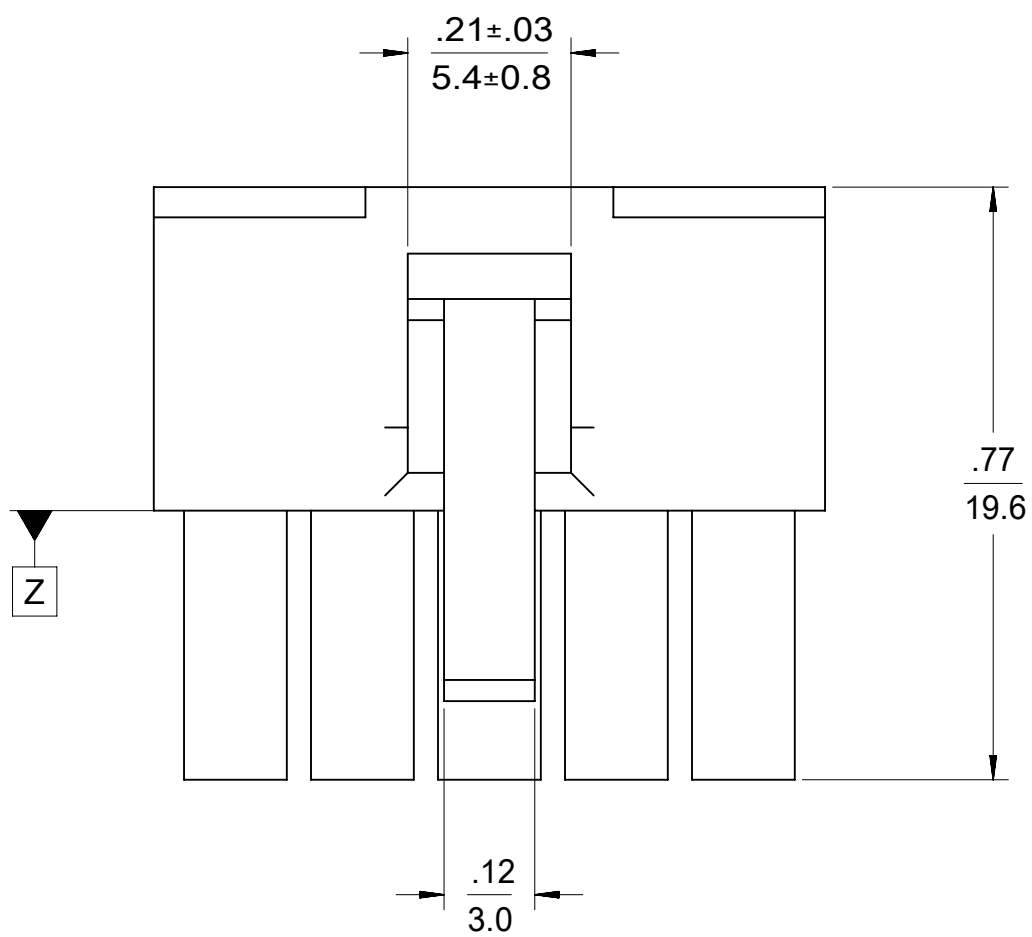
- Eu RoHS



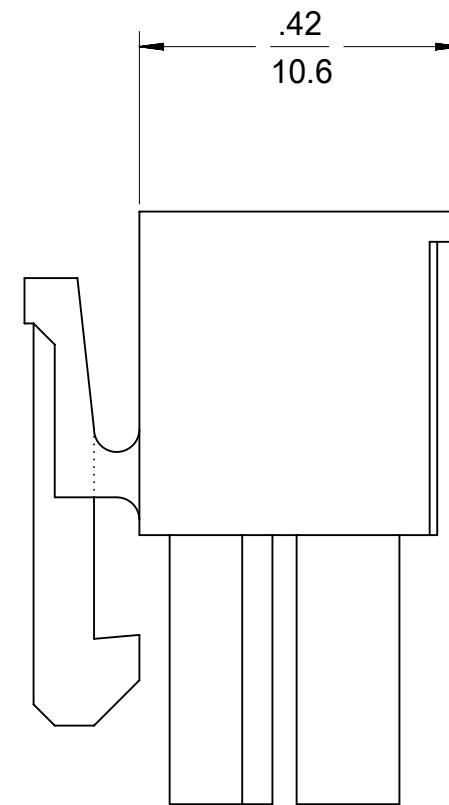
4 CKT SHOWN

NOTES:

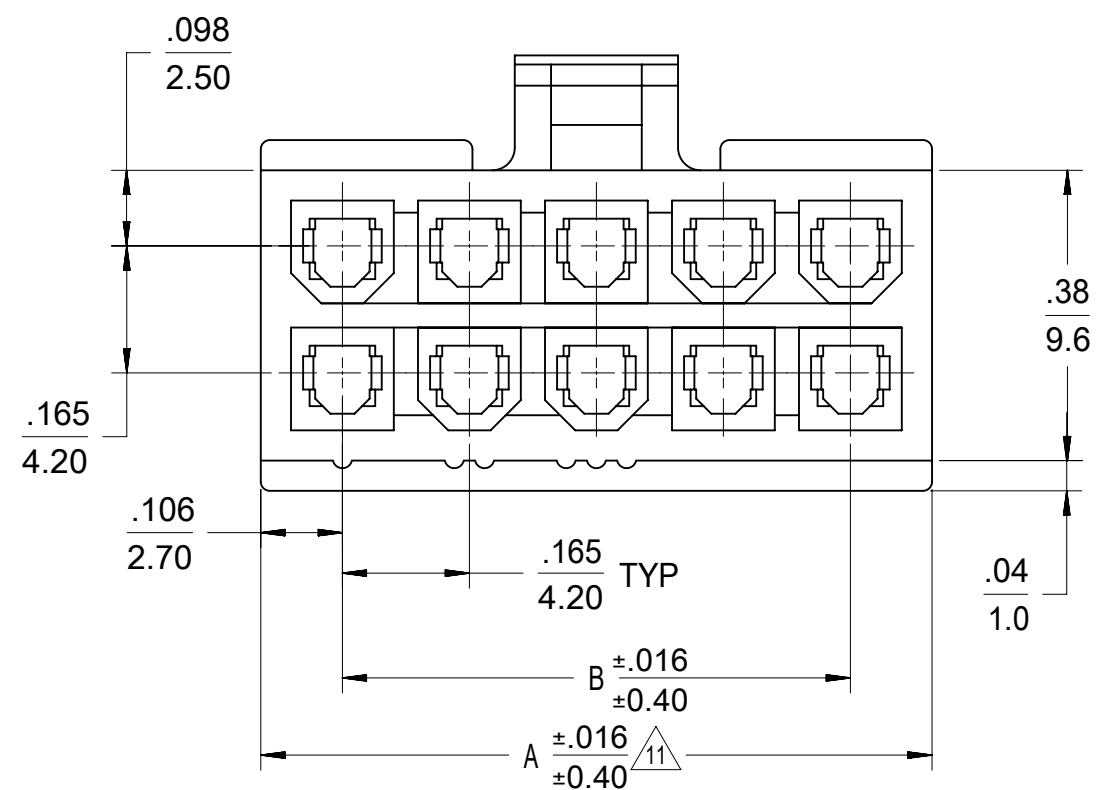
- 1) MATERIAL:
  - 225S = NYLON 6, UL94V-2, GLOW WIRE MATERIAL COLOR: BLACK
  - 225NS = NYLON 6, UL94V-2, GLOW WIRE MATERIAL COLOR: NATURAL
  - 250RS = NYLON 6/6, UL94V-0, GLOW WIRE MATERIAL COLOR: RED
  - 250GS = NYLON 6/6, UL94V-0, GLOW WIRE MATERIAL COLOR: GREEN
  - 250BS = NYLON 6/6, UL94V-0, GLOW WIRE MATERIAL COLOR: BLUE
  - 250WS = NYLON 6/6, UL94V-0, GLOW WIRE MATERIAL COLOR: NATURAL
- 2) FINISH: NOT APPLICABLE
- 3) PRODUCT SPECIFICATION: PS-5556-001
- 4) PACKAGING: BULK
- 5) PART MATES WITH MOLEX PLUG #46993 AND HEADERS #172447, #172448.
- 6) PART TO BE USED WITH MOLEX FEMALE TERMINAL #5556, #45750, #46018.
- 7) PART IS NOT DESIGNED FOR CURRENT SHARING.
- 8) CONNECTORS ARE NOT TO BE MATED OR UNMATED WHILE CIRCUITS ARE LIVE.
- 9) WIRES ARE TO BE DRESSED IN SUCH A MANNER TO ALLOW THE TERMINALS TO FLOAT FREELY IN THE POCKET.
- 10) PART CONFORMS TO CLASS "B" REQUIREMENTS OF COSMETIC SPECIFICATION PS-45499-002 WITH THE EXCEPTION OF DISCOLORATION, FLASH AND SINK MEET CLASS "C" REQUIREMENTS.
  - △ TO BE MEASURED AT SURFACE Z
- 12) TEXT ON PART IS FOR REFERENCE ONLY. TEXT AND TEXT LOCATION MAY VARY DEPENDING ON PART NUMBER AND/OR TOOL.
- 13) APPLICATION SPECIFICATION :469920000-AS.
- 14) BUBBLE IS ACCEPTABLE ON LATCH AREA.



4-24 CKT



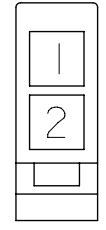
2 CKT ONLY



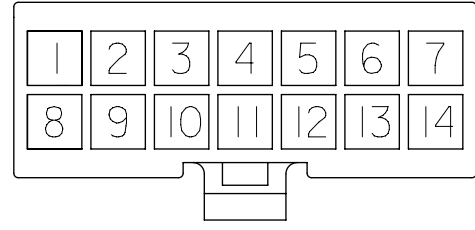
LEGEND

- 46992 -\*\*\* 0
- CIRCUIT SIZE
- MATERIAL (SEE NOTE 1)
- 0 = 225NS
  - 1 = 225S
  - 2 = 250RS
  - 3 = 250GS
  - 4 = 250BS
  - 5 = 250WS
- CONFIGURATION DUAL ROW

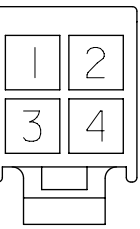
THIS DRAWING CONTAINS INFORMATION THAT IS PROPRIETARY TO MOLEX ELECTRONIC TECHNOLOGIES, LLC AND SHOULD NOT BE USED WITHOUT WRITTEN PERMISSION											
DIMENSION UNITS		SCALE		CURRENT REV DESC:				DOCUMENT NUMBER		DOC TYPE   DOC PART   REVISION	
mm		NTS		EC NO: 776137				SD-46992-0000		PSD 000 A10	
GENERAL TOLERANCES (UNLESS SPECIFIED)				DRWN: JERRYW8 2024/02/01				MINIFIT JR RECEPTACLE HOUSING DUAL ROW, 2-24 CKT			
4 PLACES		±		CHK'D: XQZHANG 2024/02/22				PRODUCT CUSTOMER DRAWING			
3 PLACES		±		APPR: XQZHANG 2024/02/22				INITIAL REVISION:			
2 PLACES		± 0.25		DRWN: NNGUYEN 2013/04/12				MATERIAL NUMBER			
1 PLACE		± 0.38		APPR: FSMITH 2014/05/16				CUSTOMER			
0 PLACES		±		ANGULAR TOL ± 3.0 °				SHEET NUMBER			
DRAFT WHERE APPLICABLE MUST REMAIN WITHIN DIMENSIONS				THIRD ANGLE PROJECTION		DRAWING		SERIES		GENERAL MARKET	
				C-SIZE		46992		SEE TABLE		1 OF 2	



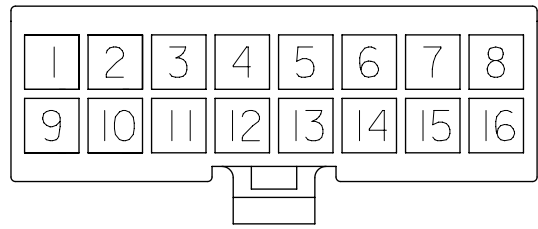
2 CKT.



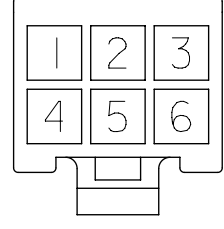
14 CKT.



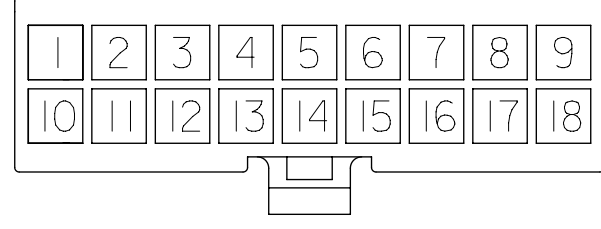
4 CKT.



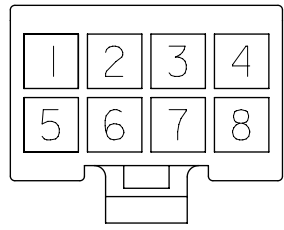
16 CKT.



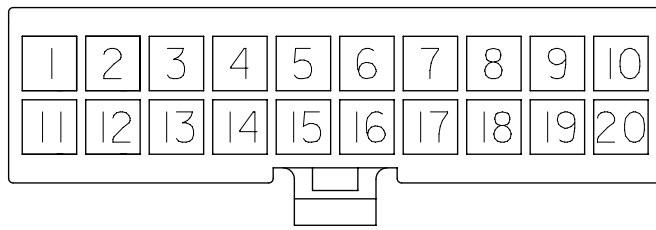
6 CKT.



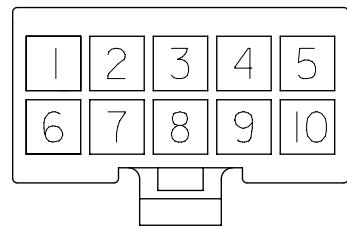
18 CKT.



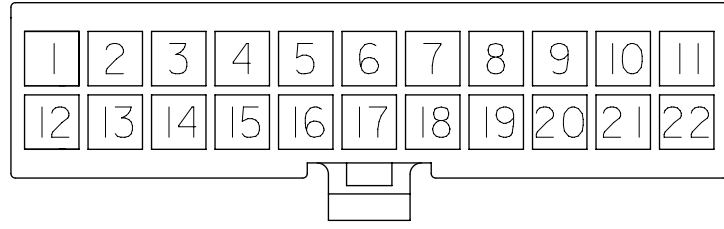
8 CKT.



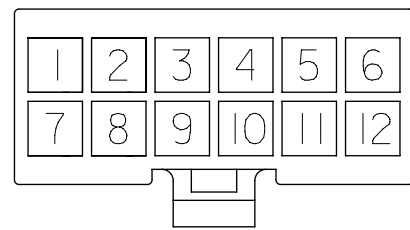
20 CKT.



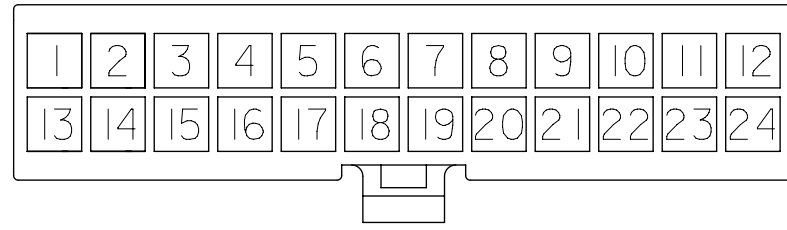
10 CKT.



22 CKT.



12 CKT.



24 CKT.

**CIRCUIT SIZE LAYOUT  
(NOT TO SCALE)**

PART NUMBER	CKT SIZE	DIM "A"	DIM "B"	MATERIAL CODE & COLOR
46992-0240	02	.21/5.40	--	250BS BLUE (V0)
46992-0440	04	.38/9.60	.165/4.20	
46992-0640	06	.54/13.8	.331/8.40	
46992-0840	08	.71/18.0	.496/12.60	
46992-1040	10	.87/22.2	.661/16.8	
46992-1240	12	1.04/26.4	.827/21.00	
46992-0250	02	.21/5.40	--	250WS NATURAL (V0)
46992-0450	04	.38/9.60	.165/4.20	
46992-0650	06	.54/13.8	.331/8.40	
46992-0850	08	.71/18.0	.496/12.60	
46992-1050	10	.87/22.2	.661/16.8	
46992-1250	12	1.04/26.4	.827/21.00	

PART NUMBER	CKT SIZE	DIM "A"	DIM "B"	MATERIAL CODE & COLOR
46992-0200	02	.21/5.40	--	225NS NATURAL (V2)
46992-0400	04	.38/9.60	.165/4.20	
46992-0600	06	.54/13.8	.331/8.40	
46992-0800	08	.71/18.0	.496/12.60	
46992-1000	10	.87/22.2	.661/16.8	
46992-1200	12	1.04/26.4	.827/21.00	
46992-1400	14	1.21 / 30.6	.992/25.20	
46992-1600	16	1.37 / 34.8	1.158/29.40	
46992-1800	18	1.54 / 39.0	1.323/33.60	
46992-2000	X 20	1.70 / 43.2	1.488/37.80	
46992-2200	X 22	1.87 / 47.4	1.654/42.00	
46992-2400	X 24	2.03 / 51.6	1.819/46.20	
46992-0210	02	.21/5.40	--	225S BLACK (V2)
46992-0410	04	.38/9.60	.165/4.20	
46992-0610	06	.54/13.8	.331/8.40	
46992-0810	08	.71/18.0	.496/12.60	
46992-1010	10	.87/22.2	.661/16.8	
46992-1210	12	1.04/26.4	.827/21.00	
46992-1410	14	1.21 / 30.6	.992/25.20	
46992-1610	16	1.37 / 34.8	1.158/29.40	
46992-1810	18	1.54 / 39.0	1.323/33.60	
46992-2010	X 20	1.70 / 43.2	1.488/37.80	
46992-2210	X 22	1.87 / 47.4	1.654/42.00	
46992-2410	24	2.03 / 51.6	1.819/46.20	
46992-0220	02	.21/5.40	--	250RS RED (V0)
46992-0420	04	.38/9.60	.165/4.20	
46992-0620	06	.54/13.8	.331/8.40	
46992-0820	08	.71/18.0	.496/12.60	
46992-1020	10	.87/22.2	.661/16.8	
46992-1220	12	1.04/26.4	.827/21.00	
46992-0230	02	.21/5.40	--	250GS GREEN (V0)
46992-0430	04	.38/9.60	.165/4.20	
46992-0630	06	.54/13.8	.331/8.40	
46992-0830	08	.71/18.0	.496/12.60	
46992-1030	10	.87/22.2	.661/16.8	
46992-1230	12	1.04/26.4	.827/21.00	

X = NOT TOOLED

THIS DRAWING CONTAINS INFORMATION THAT IS PROPRIETARY TO MOLEX ELECTRONIC TECHNOLOGIES, LLC AND SHOULD NOT BE USED WITHOUT WRITTEN PERMISSION

CONT

DIMENSION UNITS	SCALE	CURRENT REV DESC:			
mm	NTS				
GENERAL TOLERANCES (UNLESS SPECIFIED)			<b>MINIFIT JR</b> RECEPTACLE HOUSING DUAL ROW, 2-24 CKT  PRODUCT CUSTOMER DRAWING  DOCUMENT NUMBER: <b>SD-46992-0000</b>   DOC TYPE: PSD   DOC PART: 000   REVISION: A10  MATERIAL NUMBER: SEE TABLE   CUSTOMER: GENERAL MARKET   SHEET NUMBER: 2 OF 2		
	MM	INCH			
4 PLACES	±	±			
3 PLACES	±	± 0.01			
2 PLACES	± 0.25	± 0.015			
1 PLACE	± 0.38	±			
0 PLACES	±	±			
ANGULAR TOL	± 3.0 °				
DRAFT WHERE APPLICABLE MUST REMAIN WITHIN DIMENSIONS			THIRD ANGLE PROJECTION DRAWING SERIES: <b>C-SIZE 46992</b>		

EC NO: 776137  
DRWN: JERRYW8 2024/02/01  
CHK'D: XQZHANG 2024/02/22  
APPR: XQZHANG 2024/02/22  
INITIAL REVISION:  
DRWN: NNGUYEN 2013/04/12  
APPR: FSMITH 2014/05/16

- REACH SVHC

- Low-Halogen

多部分行业合规性文件

- IPC 1752A Class C

- IPC 1752A Class D

- Molex Product Compliance Declaration

- IEC-62474

- chemSHERPA (xml)

欧盟 RoHS 合格证书

---

## 产品详情

### 常规

状态	活动
类别	Connector Housings
系列	46992
说明	Mini-Fit Jr. Receptacle Housing, Dual Row, Nylon 6/6, UL 94V-2, 16 Circuits, Glow-Wire Capable, Black
应用	Power, Wire-to-Board, Wire-to-Wire
产品系列	Mini-Fit Family Power Connectors
产品名称	Mini-Fit Jr.
UPC	887191637891

### 机构

CSA	LR19980
UL	E29179

### 电气

每触点最大电流	13.0A
---------	-------

### 物理

电路数（最多）	16
颜色-树脂	黑色
阻燃性	94V-2
性别	Receptacle

符合灼热丝规范	是
插接极性	无
锁定插接部位	是
材料 - 树脂	Nylon
净重	3.522/g
行数	2
包装形式	Bag
面板安装式	否
间距 - 插配接口	4.20mm
间距 - 终端界面	4.20mm
有极性的插配件	是
端口	1
可堆叠的	否
运行温度范围	-40° to +105° C

#### 进程

无铅	不适用
----	-----

---

#### 可配插/可连接使用的产品

##### 可配插部件

描述	产品编号
Mini-Fit Jr. Dual Row Plug Housings	<u>46993</u>

##### 可连接使用部件

描述	产品编号
Mini-Fit Female Crimp Terminals	<u>5556</u>
Mini-Fit Plus Female Crimp Terminals	<u>45750</u>