



产品编号 : 469990717

系列号 : 1625

Product Category : Connector Housings

Product Description : 1.57mm Diameter Standard .062" Pin and Socket Plug Housing, 9 Circuits, with Pre-bent Mounting Ears, Natural

状态 : Active

工程编号 : 1625-9P4

文件和资源

图纸

图纸 469990717_sd.pdf

3D 模型和设计文件


3D模型 469990717_stp.zip

规格

包装规格 PK-1625-003-001.pdf

产物环境合规

合规

GADSL/IMDS	Not Relevant
China RoHS	
EU ELV	Not Relevant
Low-Halogen Status	Low-Halogen per IEC 61249-2-21
REACH SVHC	Not Contained per D(2023)8585-DC (23 Jan 2024)
EU RoHS	Compliant per EU 2015/863

多部分产品合规性声明

- Eu RoHS
- REACH SVHC
- Low-Halogen

- IPC 1752A Class C
- IPC 1752A Class D
- Molex Product Compliance Declaration
- IEC-62474
- chemSHERPA (xml)

产品详情

常规

状态	活动
类别	Connector Housings
系列	1625
说明	1.57mm Diameter Standard .062" Pin and Socket Plug Housing, 9 Circuits, with Pre-bent Mounting Ears, Natural
应用	Power, Wire-to-Wire
产品系列	Standard .062"+ and Standard .062" Pin and Socket Connector Systems
产品名称	Standard .062"
UPC	889056705202

机构

UL	E29179
----	--------

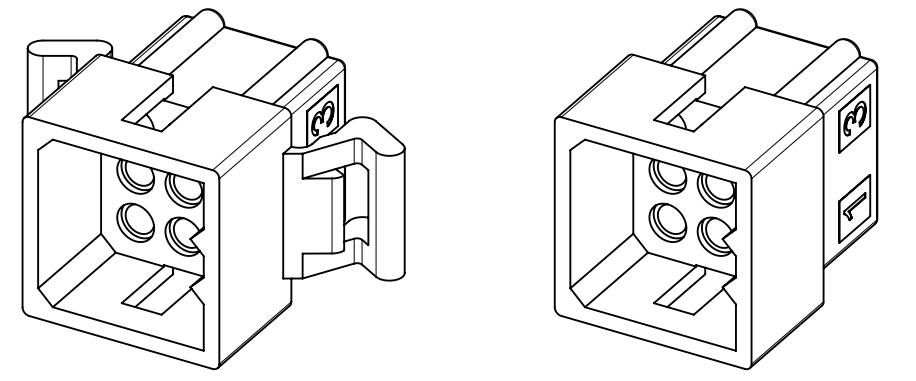
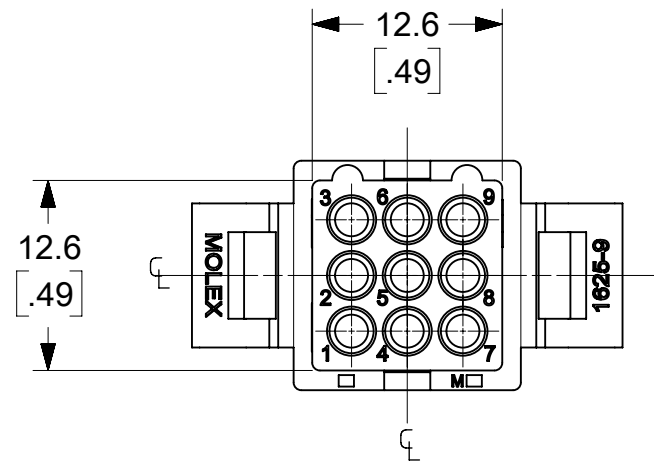
物理

电路详图	3x3
电路数（最多）	9
颜色-树脂	Natural
性别	Plug
符合灼热丝规范	否
插接极性	无
锁定插接部位	是
材料 - 树脂	Nylon
净重	2.217/g
行数	3
包装形式	Bag
面板安装式	是
间距 - 插配接口	3.68mm
间距 - 终端界面	3.68mm
有极性的插配件	是

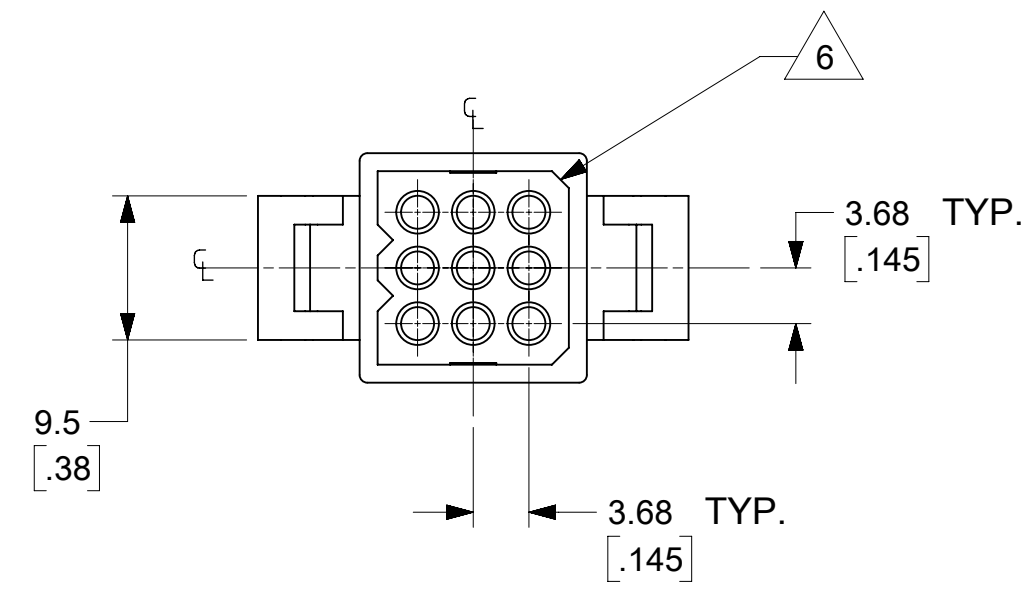
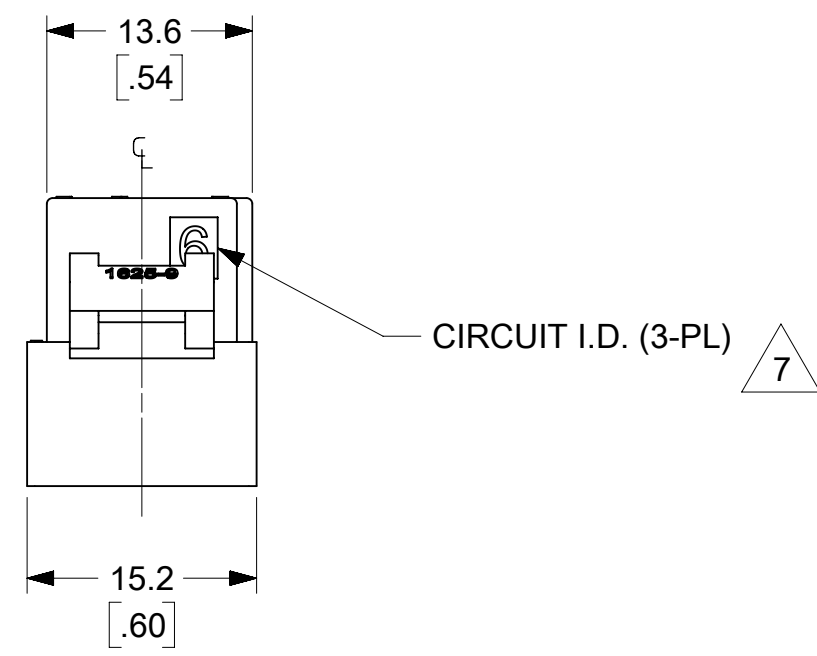
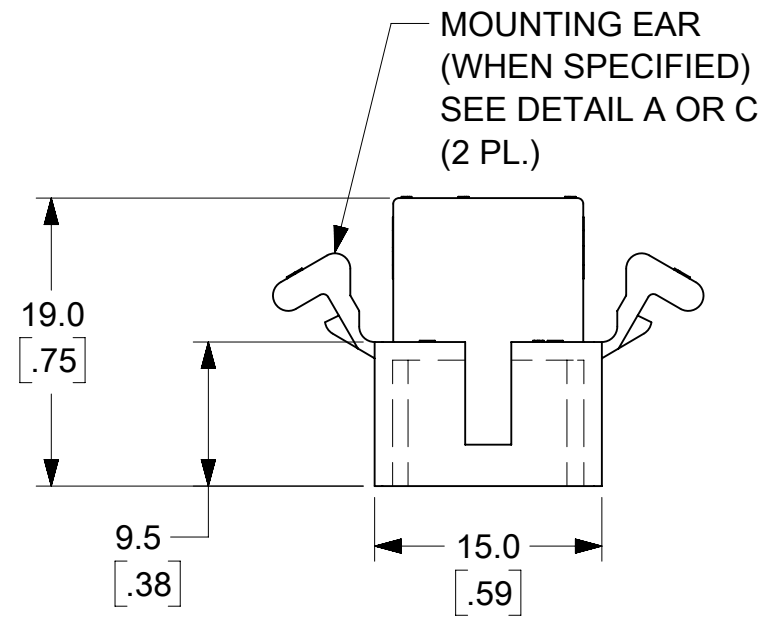
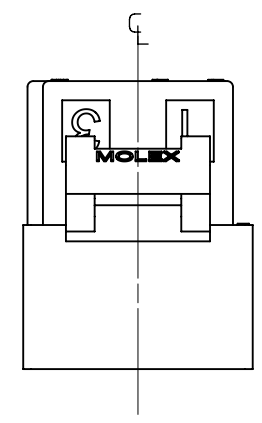
可堆叠的	否
运行温度范围	-40° to +105° C

进程

无铅	不适用
----	-----

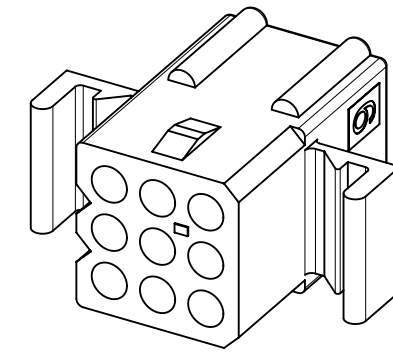
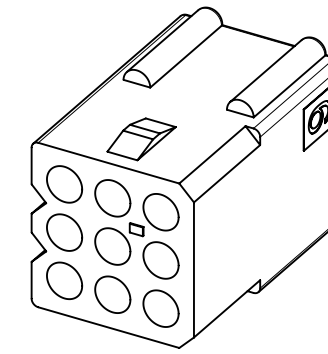
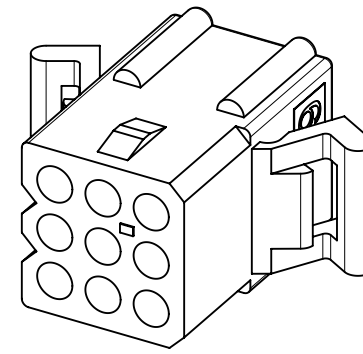
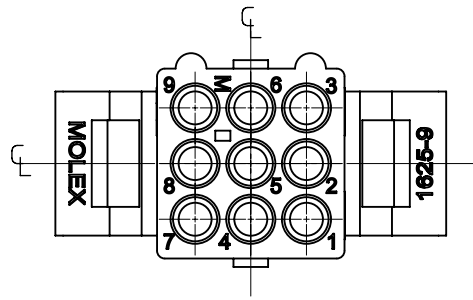


PREBENT MOUNTING EARS NO MOUNTING EARS



PLUG

QUALITY SYMBOLS	THIS DRAWING CONTAINS INFORMATION THAT IS PROPRIETARY TO MOLEX ELECTRONIC TECHNOLOGIES, LLC AND SHOULD NOT BE USED WITHOUT WRITTEN PERMISSION									
	CHG TO GEN MRKT EC NO: 122809 DRWN: AZAHIROVIC CHK'D: MKIPPER REV APPR: FSMITH	GENERAL TOLERANCES (UNLESS SPECIFIED)		DIMENSION UNITS	SCALE					
MM		INCH	MM/IN	2:1						
▽ = 0	CHG TO GEN MRKT EC NO: 122809 DRWN: AZAHIROVIC CHK'D: MKIPPER REV APPR: FSMITH	4 PLACES ±	±	DRWN BY	DATE	.062 9CKT PLUG AND RECEPTACLE HOUSING PRODUCT CUSTOMER DRAWING				
▽ = 0		3 PLACES ±	± 0.01	CHK'D BY	DATE					
▽ = 0		2 PLACES ±	± 0.014	APPR BY	DATE					
▽ = 0		1 PLACES ±	±	FSMITH	2017/07/31					
▽ = 0		0 PLACES ±	±							
▽ = 0		ANGULAR TOL ± 0.5	DRAWING SIZE	THIRD ANGLE PROJECTION	SERIES	MATERIAL NUMBER	CUSTOMER	DOCUMENT NUMBER 16250900-SD		
▽ = 0		DRAFT WHERE APPLICABLE MUST REMAIN WITHIN DIMENSIONS	B		1625	SEE CHART				
▽ = 0								PSD	000	1 OF 3

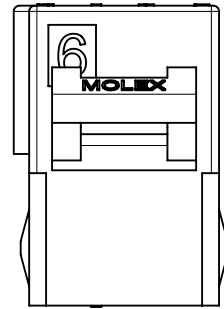


PREBENT MOUNTING EARS

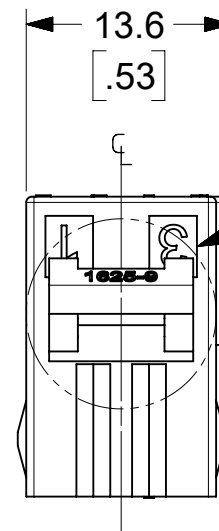
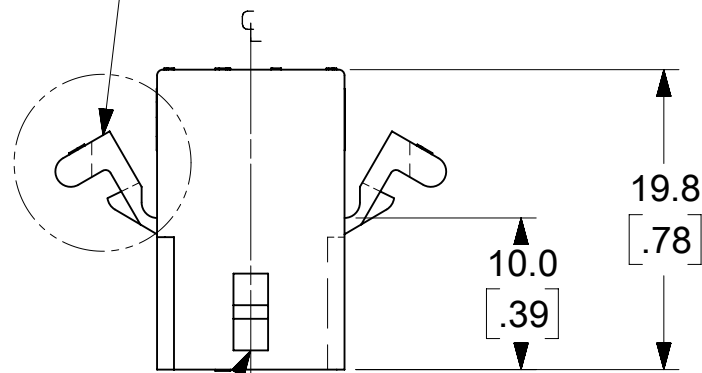
NO MOUNTING EARS

STANDARD MOUNTING EARS

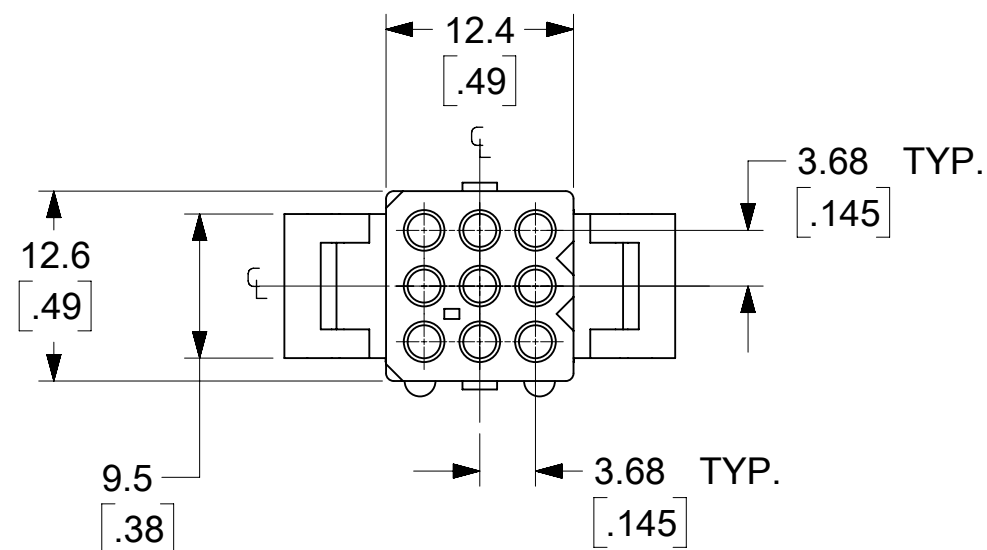
OPTIONAL MOUNTING EARS
(2 PL.)
SEE DETAIL A OR C
FOR VERSIONS AVAILABLE



PASSIVE LOCK



CIRCUIT I.D. (3-PL)



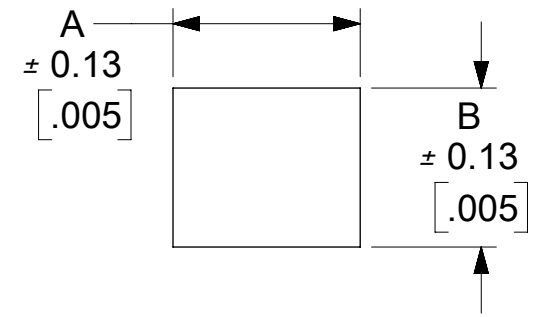
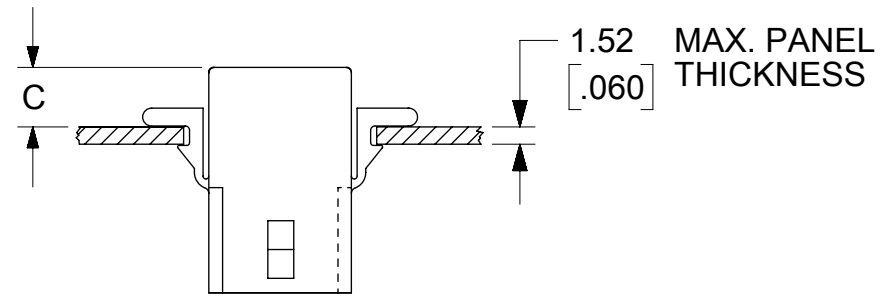
RECEPTACLE

QUALITY SYMBOLS	THIS DRAWING CONTAINS INFORMATION THAT IS PROPRIETARY TO MOLEX ELECTRONIC TECHNOLOGIES, LLC AND SHOULD NOT BE USED WITHOUT WRITTEN PERMISSION										
	CHG TO GEN MRKT EC NO: 122809 DRWN: AZAHIROVIC CHK'D: MKIPPER REV APPR: FSMITH	GENERAL TOLERANCES (UNLESS SPECIFIED)		DIMENSION UNITS	SCALE						
MM		INCH	MM/IN	2:1							
▽ = 0	2017/10/02 2017/10/02 2017/10/13	4 PLACES ±	±	DRWN BY	DATE	.062 9CKT PLUG AND RECEPTACLE HOUSING					
∇ = 0		3 PLACES ±	± 0.01	ZHARPER	2017/07/14						
∇ = 0		2 PLACES ±	± 0.014	MKIPPER	2017/07/24						
▼ = 0		1 PLACES ±	± 0.36	APP'R BY	DATE	PRODUCT CUSTOMER DRAWING					
∇ = 0		0 PLACES ±	±	FSMITH	2017/07/31	SERIES	MATERIAL NUMBER	CUSTOMER			
⊠ = 0	ANGULAR TOL ± 0.5		DRAWING SIZE	THIRD ANGLE PROJECTION	1625	SEE CHART					
■ = 0	DRAFT WHERE APPLICABLE MUST REMAIN WITHIN DIMENSIONS		B		DOCUMENT NUMBER		DOC TYPE	DOC PART	SHEET NUMBER		
∇ = 0	A1					16250900-SD	PSD	000	2 OF 3		

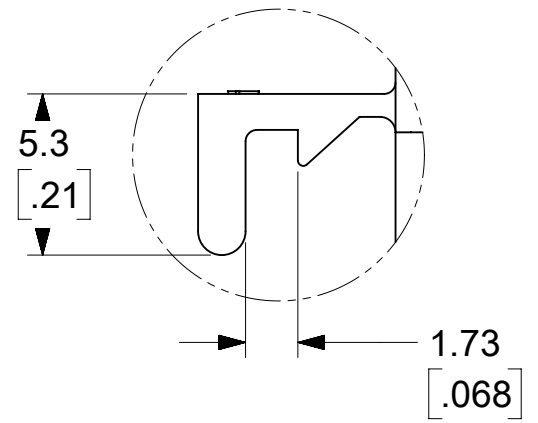
9 CIRCUIT PLUG				
PART NO.	ENG. NO.	EARS	MATERIAL	COLOR
03-06-2092	1625-9P1	NONE	A	NATURAL
46999-0717	1625-9P4	PREBENT	A	NATURAL

9 CIRCUIT RECEPTACLE				
PART NO.	ENG. NO.	EARS	MATERIAL	COLOR
03-06-1091	1625-9R	STANDARD	A	NATURAL
03-06-1092	1625-9R1	NONE	A	NATURAL
50-36-1871	1625-9R4	PREBENT	A	NATURAL

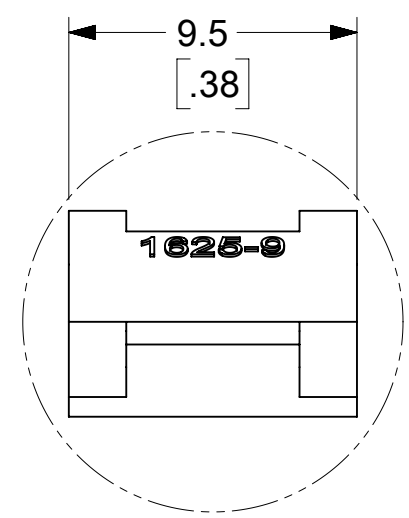
RECEPTACLE	16.51 [.650]	14.02 [.552]	5.3 [.21]	5.6 [.22]
PLUG	19.10 [.752]	15.62 [.615]	5.1 [.20]	5.3 [.21]
PART	DIM. A	DIM. B	DIM. C STANDARD EAR	DIM. C PREBENT EAR



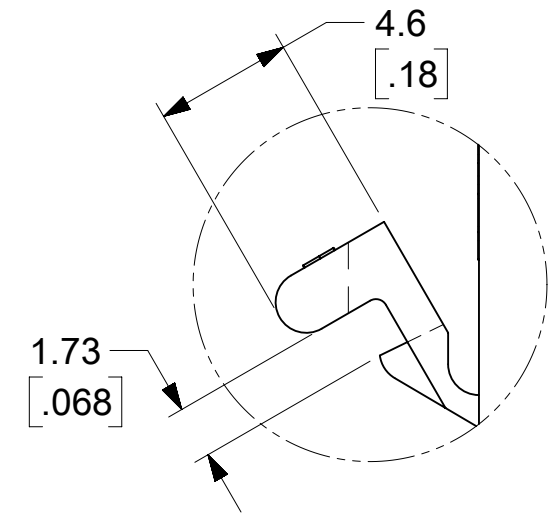
RECOMMENDED HOLE PATTERN



DETAIL C
STANDARD MOUNTING EAR
SCALE 4:1



DETAIL B
PREBENT MOUNTING EAR
SCALE 4:1



DETAIL A
PREBENT MOUNTING EAR
SCALE 4:1

- NOTES:
- MATERIAL CODES:
A-NYLON TYPE 6/6, 94V-2
 - FINISH: NONE
 - PRODUCT SPECIFICATION: PS-02-06
 - PACKAGING SPECIFICATION: PK-1625-003
 - HOUSINGS FOR USE WITH MOLEX .062 DIAMETER TERMINALS.
 - SOME PARTS MAY HAVE THIS CORNER CHAMFERED.
 - ETCHED CIRCUIT I.D. NUMBERS ON HOUSING MAY OR MAY NOT BE PRESENT.
 - PARTS CONFORM TO CLASS B REQUIREMENTS OF COSMETIC SPECIFICATION PS-45499-002.
 - THIS DRAWING REPLACES SD-1625-9*

QUALITY SYMBOLS 	THIS DRAWING CONTAINS INFORMATION THAT IS PROPRIETARY TO MOLEX ELECTRONIC TECHNOLOGIES, LLC AND SHOULD NOT BE USED WITHOUT WRITTEN PERMISSION												
	CHG TO GEN MRKT EC NO: 122809 DRWN: AZAHIROVIC CHK'D: MKIPPER REV APPR: FSMITH	GENERAL TOLERANCES (UNLESS SPECIFIED)		DIMENSION UNITS MM/IN		SCALE 2:1							
				DRWN BY ZHARPER		DATE 2017/07/14							
				CHK'D BY MKIPPER		DATE 2017/07/24		.062 9CKT PLUG AND RECEPTACLE HOUSING					
		APPR BY FSMITH		DATE 2017/07/31		PRODUCT CUSTOMER DRAWING							
		ANGULAR TOL ± 0.5		DRAWING SIZE B		THIRD ANGLE PROJECTION		SERIES 1625		MATERIAL NUMBER SEE CHART		CUSTOMER	
		DRAFT WHERE APPLICABLE MUST REMAIN WITHIN DIMENSIONS				DOCUMENT NUMBER 16250900-SD		DOC TYPE PSD		DOC PART 000		SHEET NUMBER 3 OF 3	