



产品编号 : 470541000

系列号 : 47054

Product Category : Connector Housings

Product Description : KK 254 Housing with Polarization Rib, 4 Pin

状态 : Active

文件和资源

图纸

图纸 470541000_sd.pdf

包装设计图 470541000-PK-000.pdf

3D 模型和设计文件


3D模型 470541000_stp.zip

规格

产品规格 PS-47053-001-001.pdf

产物环境合规

合规

GADSL/IMDS	Not Relevant
China RoHS	
EU ELV	Not Relevant
Low-Halogen Status	Low-Halogen per IEC 61249-2-21
REACH SVHC	Not Contained per D(2023)8585-DC (23 Jan 2024)
EU RoHS	Compliant per EU 2015/863

多部分产品合规性声明

- Eu RoHS
- REACH SVHC
- Low-Halogen

- IPC 1752A Class C
- IPC 1752A Class D
- Molex Product Compliance Declaration
- IEC-62474
- chemSHERPA (xml)

欧盟 RoHS 合格证书

产品详情

常规

状态	活动
类别	Connector Housings
系列	47054
说明	KK 254 Housing with Polarization Rib, 4 Pin
应用	Signal, Wire-to-Board
产品系列	KK Interconnect Systems
产品名称	KK 254
UPC	822348237999

机构

UL	E29179
----	--------

物理

电路数（最多）	4
颜色-树脂	Ivory
阻燃性	94V-0
性别	Receptacle
符合灼热丝规范	否
锁定插接部位	是
材料 - 树脂	Nylon
净重	0.522/g
行数	1
包装形式	Bag
面板安装式	否
间距 - 插配接口	2.54mm
间距 - 终端界面	2.54mm
有极性的插配件	是
可堆叠的	否
运行温度范围	See Product Specification

进程

最长持续时间	5
无铅	不适用
最大周期	1
最高温度	230

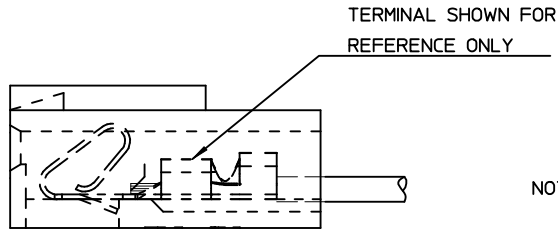
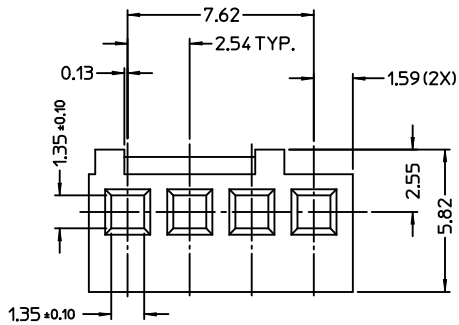
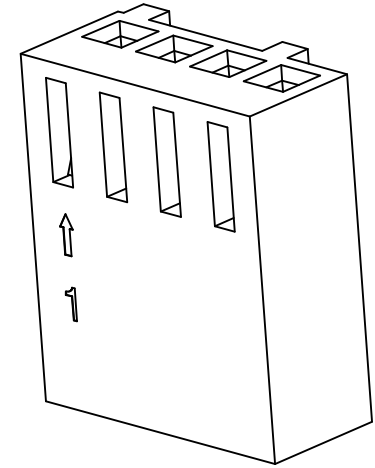
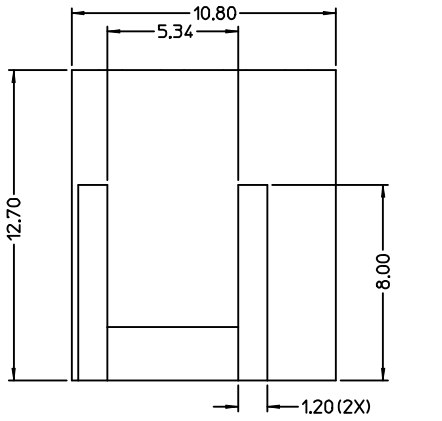
可配插/可连接使用的产品

可配插部件

描述	产品编号
KK 254 Vertical Headers	<u>47053</u>

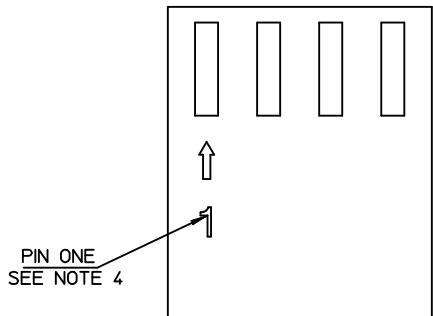
可连接使用部件

描述	产品编号
KK 254 Female Crimp Terminals	<u>2759</u>

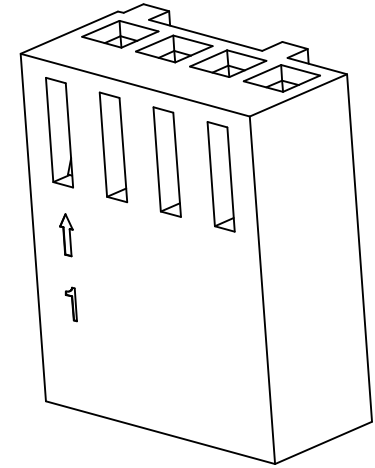
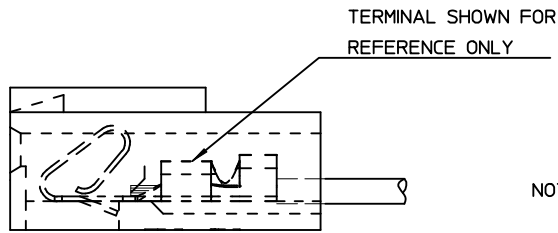
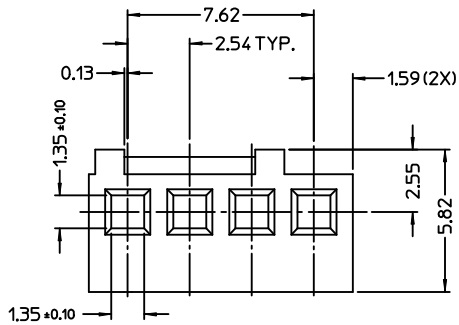
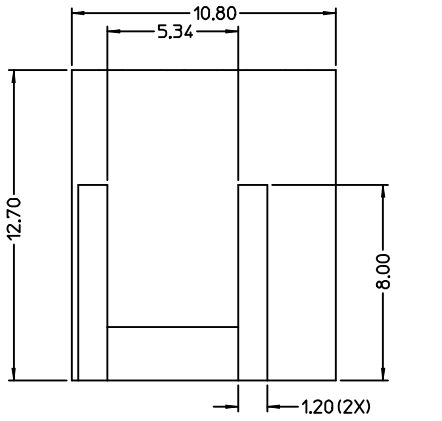


NOTES:

1. MATERIAL: NYLON, UL94V-0, COLOR: NATURAL(WHITE).
2. HOUSING TO BE USED WITH CRIMP TYPE TERMINAL NO.2759,22-30 GAUGE WIRE WITH 1.57 DIA. MAXIMUM WIRE INSULATION.
3. THIS HOUSING CONFORMS TO MOLEX PRODUCT SPEC. NO. PS-47053-001.
4. CIRCUIT NO. "1" TO APPEAR ON PARTS.
5. HOUSING TO BE MATE WITH HEADER SERIES 47053

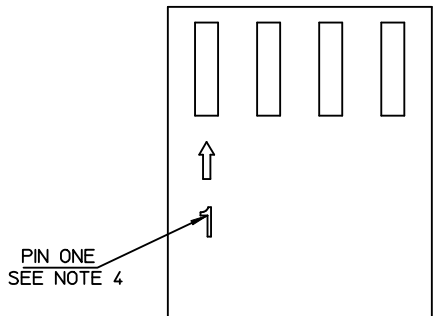


NEW PART EC NO: UCP2017-1234 DRWN: SNAGARAVED/16/12/05 CHKD: APPR: ISHWARG 2016/12/08 REV B	QUALITY SYMBOLS	GENERAL TOLERANCES (UNLESS SPECIFIED)		SCALE 1:1	DESIGN UNITS METRIC	THIRD ANGLE PROJECTION	REVISE ON CAD ONLY	
	▼ -0 ▽ -0	4 PLACES	mm	INCH	DIMENSION STYLE MM ONLY		TITLE 4 PIN HOUSING FOR CRIMP TERMINALS	
		3 PLACES	± ---	± ---	DRAWN BY RZHANG	DATE 2003/10/31		
		2 PLACES	± 0.13	± ---	CHECKED BY HJYIN	DATE 2003/10/31		
	1 PLACE	± 0.25	± ---	APPROVED BY SHUANG	DATE 2003/10/31	MATERIAL NO. 47054-1000 DOCUMENT NO. SD-47054-001 SHEET NO. 1 OF 1		
		ANGULAR ± 3°		DRAFT WHERE APPLICABLE MUST REMAIN WITHIN DIMENSIONS		THIS DRAWING CONTAINS INFORMATION THAT IS PROPRIETARY TO MOLEX INCORPORATED AND SHOULD NOT BE USED WITHOUT WRITTEN PERMISSION		



NOTES:

1. MATERIAL: NYLON, UL94V-0, COLOR: NATURAL(WHITE).
2. HOUSING TO BE USED WITH CRIMP TYPE TERMINAL NO.2759,22-30 GAUGE WIRE WITH 1.57 DIA. MAXIMUM WIRE INSULATION.
3. THIS HOUSING CONFORMS TO MOLEX PRODUCT SPEC. NO. PS-47053-001.
4. CIRCUIT NO. "1" TO APPEAR ON PARTS.
5. HOUSING TO BE MATE WITH HEADER SERIES 47053



NEW PART EC NO: UCP2017-1234 DRWN: SNAGARAVED/16/12/05 CHKD: APPR: ISHWARG 2016/12/08 REV B	QUALITY SYMBOLS ▽ - 0 ▽ - 0	GENERAL TOLERANCES (UNLESS SPECIFIED) 4 PLACES ± --- ± --- 3 PLACES ± --- ± --- 2 PLACES ± 0.13 ± --- 1 PLACE ± 0.25 ± --- ANGULAR ± 3°	SCALE 1:1 DESIGN UNITS METRIC DIMENSION STYLE MM ONLY	THIRD ANGLE PROJECTION REVISE ON CAD ONLY
	DRAWN BY RZHANG DATE 2003/10/31 CHECKED BY HJYIN DATE 2003/10/31 APPROVED BY SHUANG DATE 2003/10/31	TITLE 4 PIN HOUSING FOR CRIMP TERMINALS	MATERIAL NO. 47054-1000 DOCUMENT NO. SD-47054-001	SHEET NO. 1 OF 1
	DRAFT WHERE APPLICABLE MUST REMAIN WITHIN DIMENSIONS	MOLEX INCORPORATED	THIS DRAWING CONTAINS INFORMATION THAT IS PROPRIETARY TO MOLEX INCORPORATED AND SHOULD NOT BE USED WITHOUT WRITTEN PERMISSION	B