

产品编号 : [472720001](#)

Product Description : 0.50mm Pitch DisplayPort Receptacle, Right-Angle, Surface Mount, 0.76µm Gold (Au) Plating, 20 Circuits, without Cover, Mylar or Flange; with Latch Holes, Peg and Solder Tab of Shell, Lead-Free

系列号 : 47272

状态 : Active

Product Category : I/O Connectors

文件和资源

图纸

[图纸 472720001_sd.pdf](#)

[包装设计图 PK-47272-001-001.pdf](#)

3D 模型和设计文件

[3D模型 472720001_stp.zip](#)

[电气模型文件 EE-47272-001-001.pdf](#)

[电气模型文件 EE-47272-002-001.pdf](#)


规格

[产品规格 PS-47272-001-001.pdf](#)

[产品规格 472720002-000.pdf](#)

产物环境合规

合规

| | |
|--------------------|---|
| GADSL/IMDS | Not Relevant |
| China RoHS |  |
| EU ELV | Not Relevant |
| Low-Halogen Status | Low-Halogen per IEC 61249-2-21 |
| REACH SVHC | Not Contained per D(2023)8585-DC (23 Jan 2024) |
| EU RoHS | Compliant per EU 2015/863 |

多部分产品合规性声明

- Eu RoHS
- REACH SVHC
- Low-Halogen
- IPC 1752A Class C

- IPC 1752A Class D
- Molex Product Compliance Declaration
- IEC-62474
- chemSHERPA (xml)

欧盟 RoHS 合格证书

产品详情

常规

| | |
|------|--|
| 状态 | 活动 |
| 类别 | I/O Connectors |
| 系列 | 47272 |
| 说明 | 0.50mm Pitch DisplayPort Receptacle, Right-Angle, Surface Mount, 0.76µm Gold (Au) Plating, 20 Circuits, without Cover, Mylar or Flange; with Latch Holes, Peg and Solder Tab of Shell, Lead-Free |
| 应用 | Wire-to-Board |
| 个评论 | With EMI Shield |
| 元件类型 | Receptacle |
| 产品系列 | DisplayPort and Mini DisplayPort Interconnect System |
| 产品名称 | DisplayPort |
| 类型 | 不适用 |
| UPC | 822350586009 |

机构

| | |
|----|--------|
| UL | E29179 |
|----|--------|

电气

| | |
|---------|--------|
| 每触点最大电流 | 0.5A |
| 面板接地 | 是 |
| 屏蔽 | 是 |
| 电压 - 最大 | 40V AC |

物理

| | |
|-----------|----|
| 回路数 (已载入) | 20 |
|-----------|----|

| | |
|-------------|--------------------------------|
| 电路数 (最多) | 20 |
| 颜色-树脂 | 黑色 |
| 阻燃性 | 94V-0 |
| 性别 | 女 |
| 插接极性 | 是 |
| 锁定插接部位 | 是 |
| 材料 - 金属 | Copper Alloy |
| 材料 - 接合部位电镀 | 金牌 |
| 材料 - 终端电镀 | Matte Tin |
| 材料 - 树脂 | High Temperature Thermoplastic |
| 净重 | 2.719/g |
| 行数 | 2 |
| 方向 | Right Angle |
| 包装形式 | Embossed Tape on Reel |
| 面板安装式 | Without Flange |
| PCB 定位器 | 是 |
| PCB 保持力 | 是 |
| 间距 - 插配接口 | 0.50mm |
| 间距 - 终端界面 | 0.50mm |
| 最薄镀层 - 接合部位 | 0.762 μ m |
| 最薄镀层 - 端接 | 1.016 μ m |
| 有极性的插配件 | 是 |
| PCB 极性 | 是 |
| 端口 | 1 |
| 运行温度范围 | -20° to +85° C |
| 终端界面类型 | Surface Mount |
| 防水/防尘 | 否 |

进程

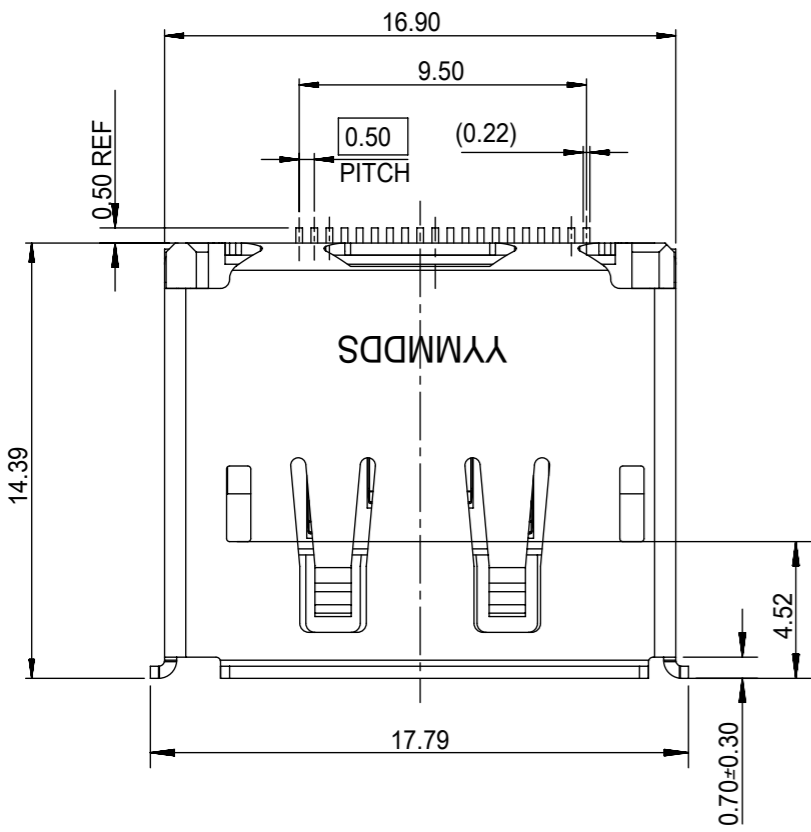
| | |
|--------|--------|
| 最长持续时间 | 10 |
| 无铅 | REFLOW |
| 最大周期 | 1 |
| 最高温度 | 250 |

可配插/可连接使用的产品

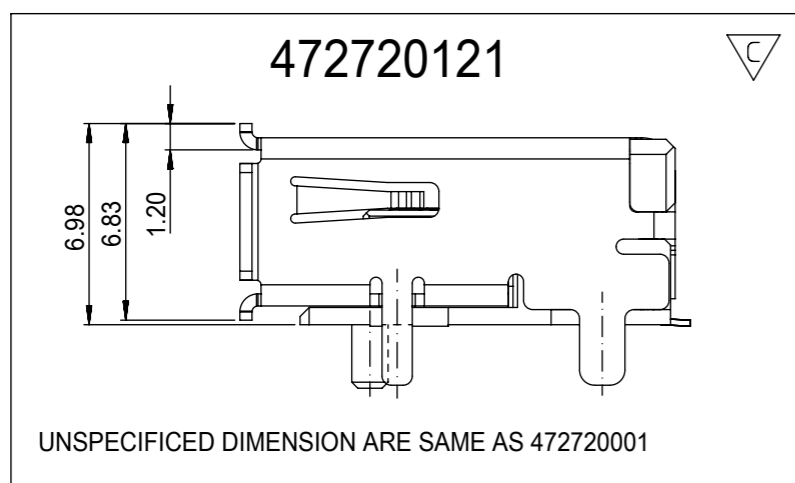
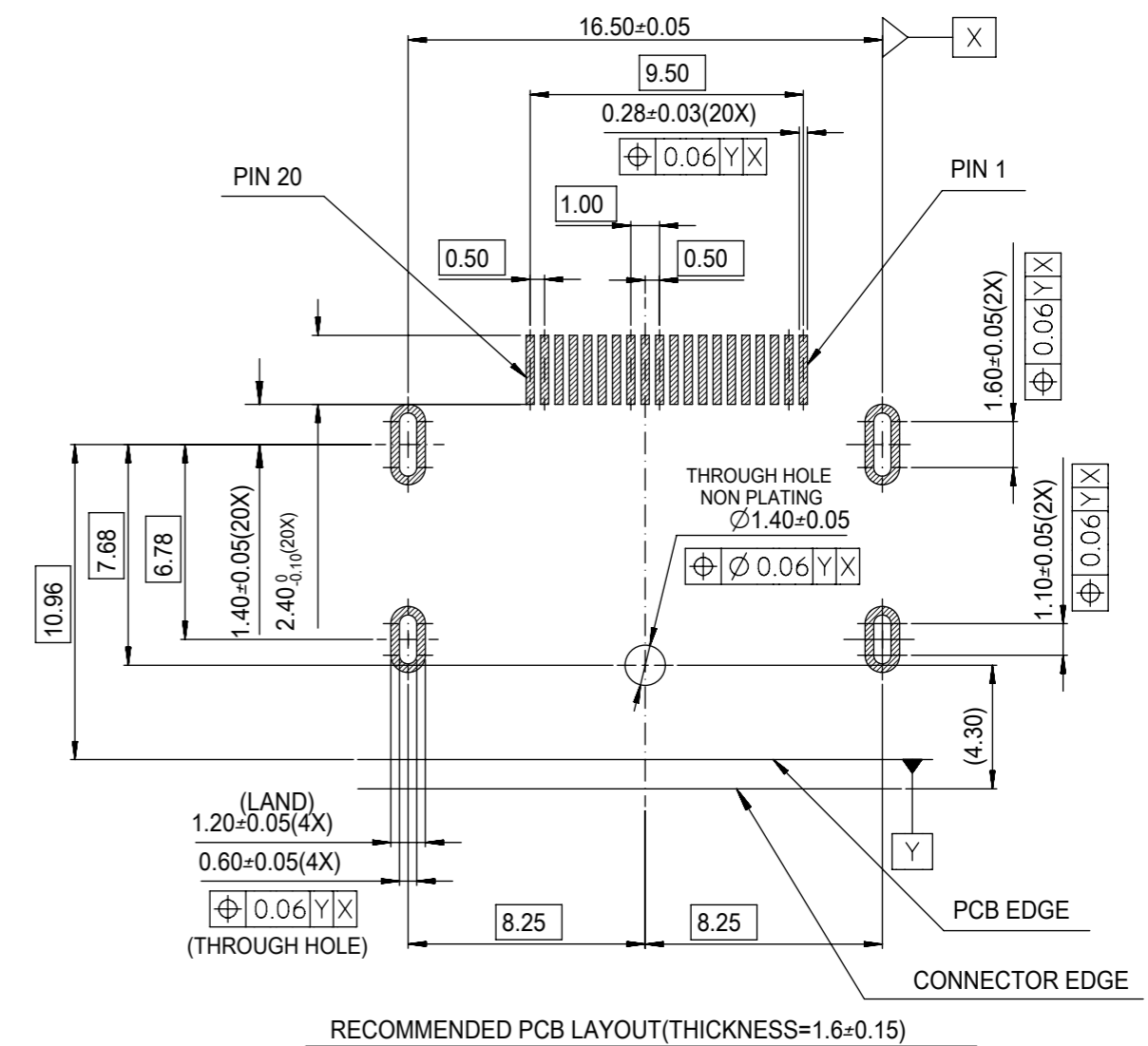
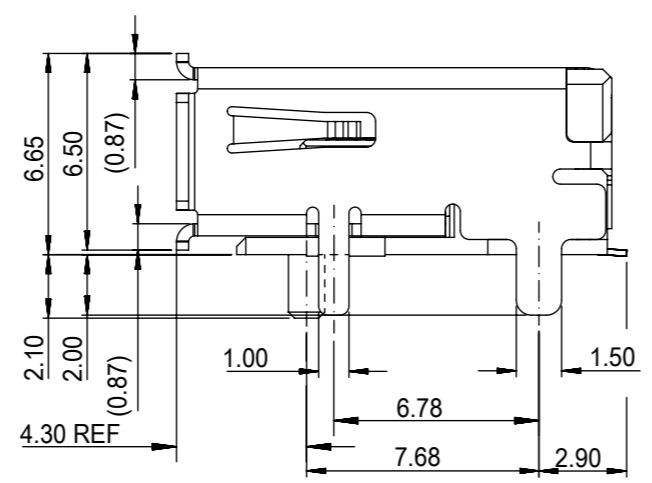
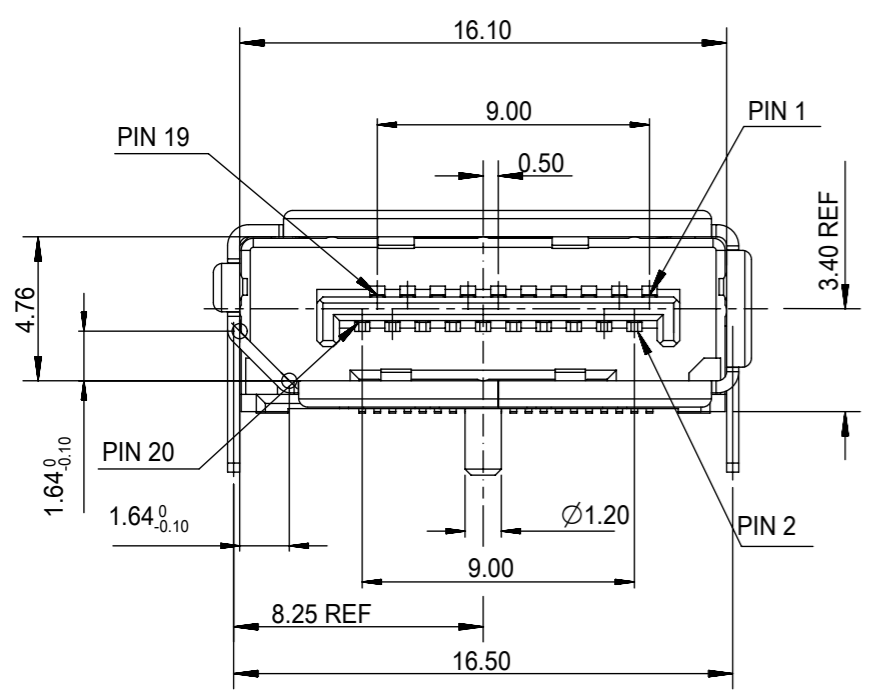
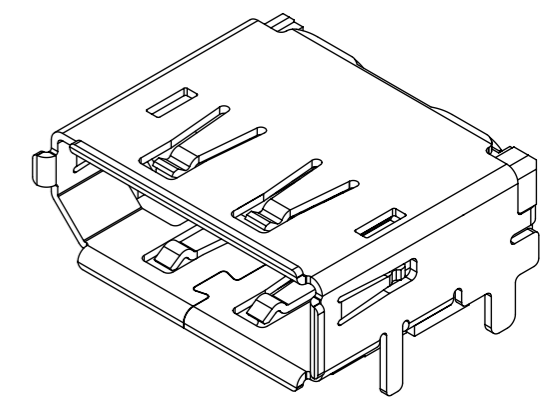
可配插部件

| 描述 | 产品编号 |
|--|--------------|
| DisplayPort Male-to-DisplayPort Male Cable Assemblies | <u>68783</u> |

This document was generated on Jun 30, 2024



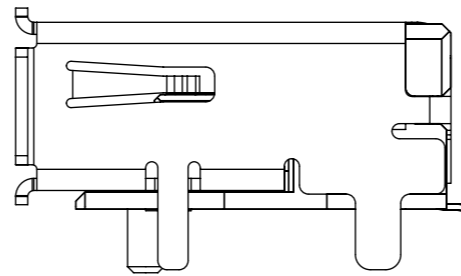
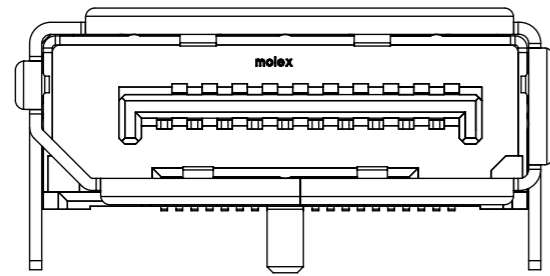
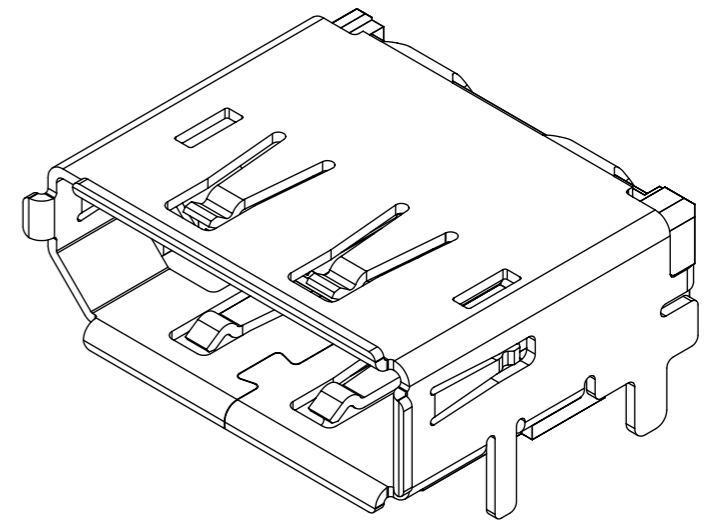
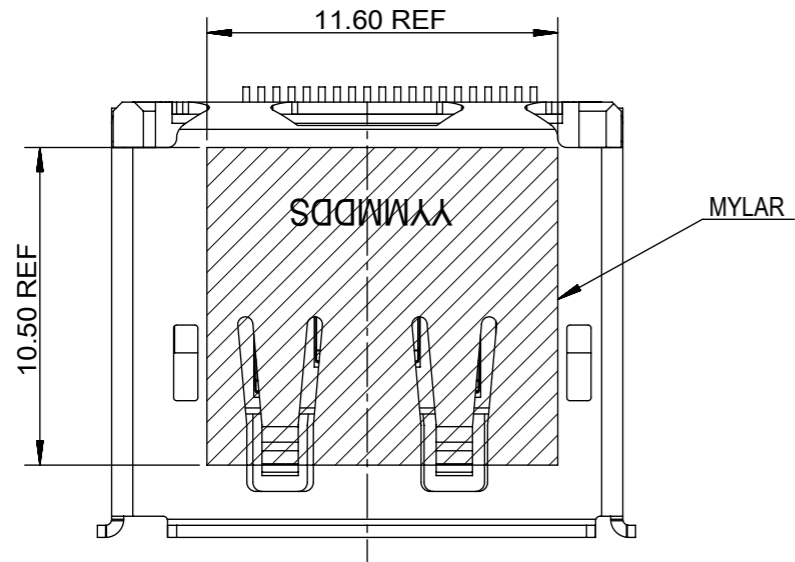
- NOTES:
- MATERIAL:
HOUSING: LIQUID CRYSTAL POLYMER, BLACK, 30% GLASS FILLED, UL94V-0.
TERMINAL: BRASS.
SHELL: STAINLESS STEEL
 - PLATING:
TERMINAL:
CONTACT AREA: 0.76 MICROMETER (30 μ") GOLD PLATING
AND SOLDER TAIL: 1~3 MICROMETER(39~118μ") MATT TIN UNDER PLATE
UNDER PLATE: 2~4 MICROMETER(79~158μ") NICKEL PLATING OVERALL.
SHELL: 1.27~2.54 MICROETER(50~100μ") SOLDERABLE NICKEL PLATING OVERALL.
 - SOLDERTAIL COPLANARITY 0.10 MAX.
 - PRODUCT SPEC REFER TO PS-47272-001
 - PACKAGE REFER TO PK-47272-001



| PART NO. | COVER | MYLAR | REMARK |
|-----------|---------|---------|---------|
| 472720001 | WITHOUT | WITHOUT | SHEET 1 |
| 472720024 | WITH | WITH | SHEET 2 |
| 472720029 | WITHOUT | WITH | SHEET 3 |

| | | | | |
|---------|---|-------------------|-------------------------|--------------------------|
| SYMBOLS | THIS DRAWING CONTAINS INFORMATION THAT IS PROPRIETARY TO MOLEX ELECTRONIC TECHNOLOGIES, LLC AND SHOULD NOT BE USED WITHOUT WRITTEN PERMISSION | CURRENT REV DESC: | | molex |
| | DIMENSION UNITS | SCALE | | |
| ▽ = 0 | mm | 0.9:1 | | PRODUCT CUSTOMER DRAWING |
| ▽ = 0 | GENERAL TOLERANCES (UNLESS SPECIFIED) | | EC NO: 618483 | DOCUMENT NUMBER |
| ▽ = 0 | ANGULAR TOL ± 3.0° | | DRWN: RZHANG 2019/09/23 | DOC TYPE |
| ▽ = 0 | 4 PLACES ± | | CHK'D: AYIN 2019/10/11 | DOC PART |
| ▽ = 0 | 3 PLACES ± | | APPR: AYIN 2019/10/11 | REVISION |
| ▽ = 0 | 2 PLACES ± 0.25 | | INITIAL REVISION: | SD-47272-001 |
| ▽ = 0 | 1 PLACE ± 0.25 | | DRWN: RZHANG 2006/04/06 | PSD |
| ▽ = 0 | 0 PLACES ± | | APPR: JNCHEN 2007/03/23 | 001 |
| ▽ = 0 | DRAFT WHERE APPLICABLE MUST REMAIN WITHIN DIMENSIONS | | THIRD ANGLE PROJECTION | D |
| ▽ = 0 | | | DRAWING | SHEET NUMBER |
| | | | SERIES | GENERAL MARKET |
| | | | MATERIAL NUMBER | 1 OF 3 |
| | | | CUSTOMER | |
| | | | A3-SIZE | |
| | | | 47272 | |

STANDARD TYPE WITH MYLAR



NOTES:

1. UNSPECIFIC DIMENSION ARE SAME AS SHEET1
2. THE RECOMMENDER PCB ARE SAME AS SHEET1

| | | | | | | | | |
|---------|---|--------|------------------------|------------|--------------------------|----------------|--------------|----------|
| SYMBOLS | THIS DRAWING CONTAINS INFORMATION THAT IS PROPRIETARY TO MOLEX ELECTRONIC TECHNOLOGIES, LLC AND SHOULD NOT BE USED WITHOUT WRITTEN PERMISSION | | CURRENT REV DESC: | | | molex | | |
| | DIMENSION UNITS | SCALE | | | | | | |
| ▽ = 0 | mm | 1:1 | DRWN: RZHANG | 2019/10/11 | PRODUCT CUSTOMER DRAWING | | | |
| ▽ = 0 | GENERAL TOLERANCES (UNLESS SPECIFIED) | | CHK'D: AYIN | 2019/10/11 | | | | |
| ▽ = 0 | ANGULAR TOL ± 3.0° | | APPR: AYIN | 2019/10/11 | DOCUMENT NUMBER | DOC TYPE | DOC PART | REVISION |
| ▽ = 0 | 4 PLACES | ± | INITIAL REVISION: | | SD-47272-001 | PSD | 001 | D |
| ▽ = 0 | 3 PLACES | ± | DRWN: RZHANG | 2006/04/06 | MATERIAL NUMBER | CUSTOMER | SHEET NUMBER | |
| ▽ = 0 | 2 PLACES | ± 0.25 | APPR: JNCHEN | 2007/03/23 | 47272 | GENERAL MARKET | 3 OF 3 | |
| ▽ = 0 | 1 PLACE | ± 0.25 | THIRD ANGLE PROJECTION | | A3-SIZE | | | |
| ▽ = 0 | 0 PLACES | ± | DRAWING | | SERIES | | | |
| ▽ = 0 | DRAFT WHERE APPLICABLE MUST REMAIN WITHIN DIMENSIONS | | THIRD ANGLE PROJECTION | | | | | |