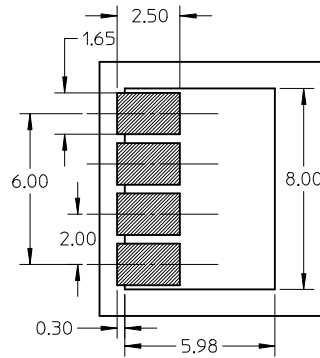
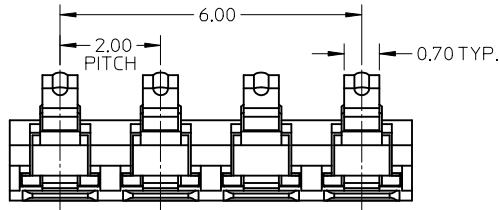
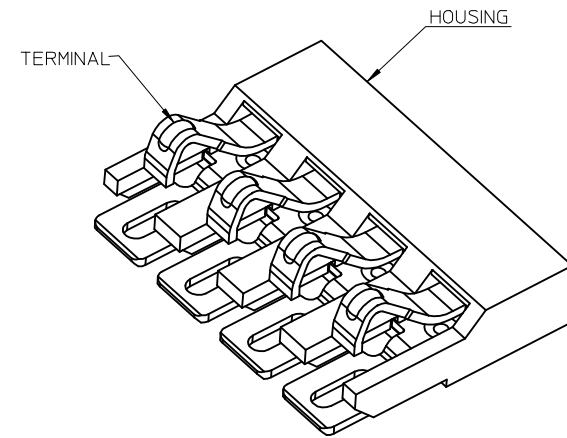
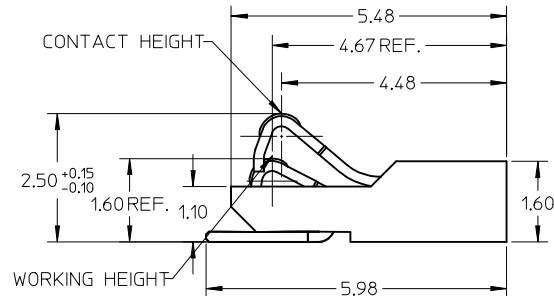
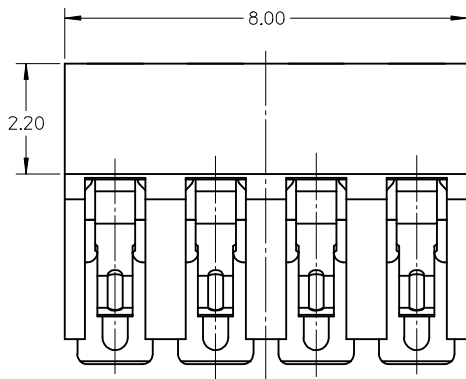
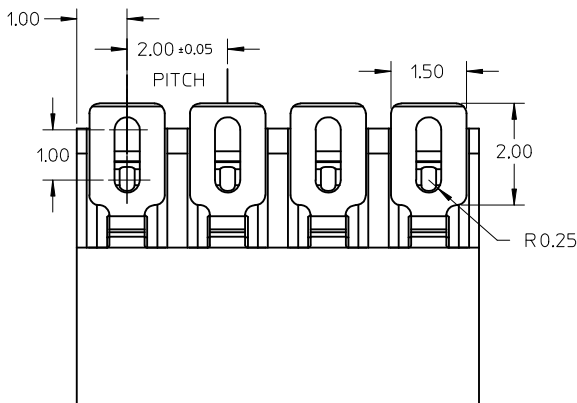


10 9 8 7 6 5 4 3 2 1



RECOMMENDED PCB LAYOUT  
TOLERANCE: +/- 0.05

- NOTE:
- MATERIAL:  
HOUSING: HIGH TEMPERATURE THERMOPLASTIC, COLOR: BLACK  
TERMINAL: COPPER ALLOY
  - FINISH:  
CONTACT AREA: 0.75 MICRON GOLD MIN OVER 1.25 MICRON NICKEL MIN.  
SOLDER AREA: GOLD FLASH (0.075~0.125 MICRON) OVER 1.25 MICRON NICKEL MIN.  
REST AREA: 1.25 MICRON NICKEL MIN.
  - COPLANARITY: 0.1 MAX AMONG THESE SOLDER TAILS.
  - PRODUCT SPECIFICATION: PS-47286-001
  - RECOMMENDED WORKING DEFLECTION RANGE: 0.6-1.00 MM



REVISE	EC NO:	2006/09/08	QUALITY SYMBOLS	GENERAL TOLERANCES (UNLESS SPECIFIED)	DIMENSION STYLE MM ONLY	SCALE 5:1	DESIGN UNITS METRIC	THIRD ANGLE PROJECTION
	DRW: LHSHEN	2006/10/17	▽=0					
	CHK: XIXU	2006/11/16	∇=0					
	APP: JINCHEN							
REV	D				DRAWN BY: SSUN	DATE: 2005/07/29	TITLE: 2.0MM PITCH 4 CIRCUITS 0.7MM CONTACT WIDTH BATTERY CONNECTOR	
				4 PLACES ± --- ± ---	CHECKED BY: XUXIANG	DATE: 2006/07/06	MOLEX INCORPORATED	
				3 PLACES ± --- ± ---	APPROVED BY: JENNY CHEN	DATE: 2006/07/07		MATERIAL NO. 472861001
				2 PLACES ± 0.15 ± ---			DOCUMENT NO. SD-47286-001	SHEET NO. 1 OF 1
				1 PLACE ± 0.20 ± ---				
				ANGULAR ± 2 °	THIS DRAWING CONTAINS INFORMATION THAT IS PROPRIETARY TO MOLEX INCORPORATED AND SHOULD NOT BE USED WITHOUT WRITTEN PERMISSION			
				DRAFT WHERE APPLICABLE MUST REMAIN WITHIN DIMENSIONS	SIZE: A3			

9 8 7 6 5 4 3 2 1