



产品编号：[473882001](#)

Product Description : 2.54mm Pitch SIM Card Connector, Hinged Style, 6 Circuits, Surface Mount, with PCB Retention Solder Tabs, with Cover Shell, Housing Height 1.90mm, with 4 Dimples, Lead-Free

系列号：47388

状态：Active

Product Category : Memory / SIM Card Connectors



文件和资源

图纸

[图纸 473882001_sd.pdf](#)

[包装设计图 PK-47388-001-002.pdf](#)

3D 模型和设计文件

[3D模型 473882001_stp.zip](#)

规格

[产品规格 PS-47388-201-001.pdf](#)

产物环境合规

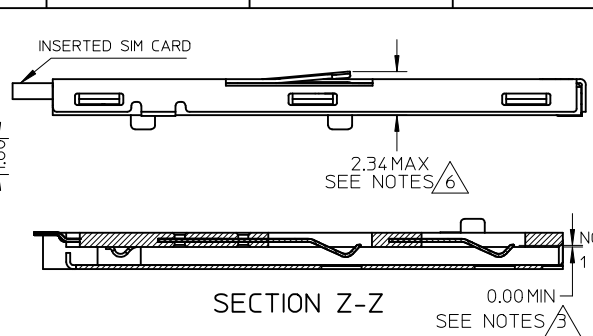
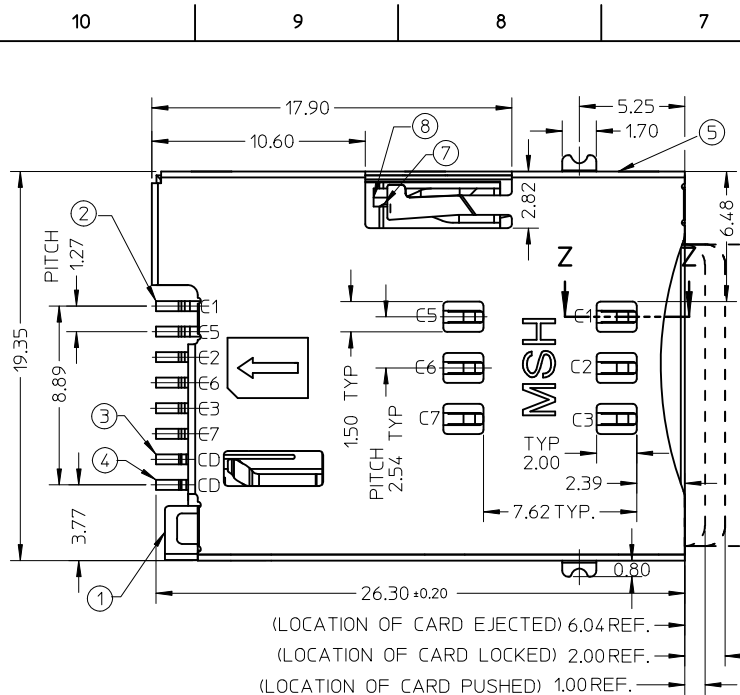
合规

GADSL/IMDS	Not Relevant
China RoHS	
EU ELV	Not Relevant
Low-Halogen Status	Low-Halogen per IEC 61249-2-21
REACH SVHC	Not Contained per D(2023)3788-DC (14 Jun 2023)
EU RoHS	Compliant per EU 2015/863

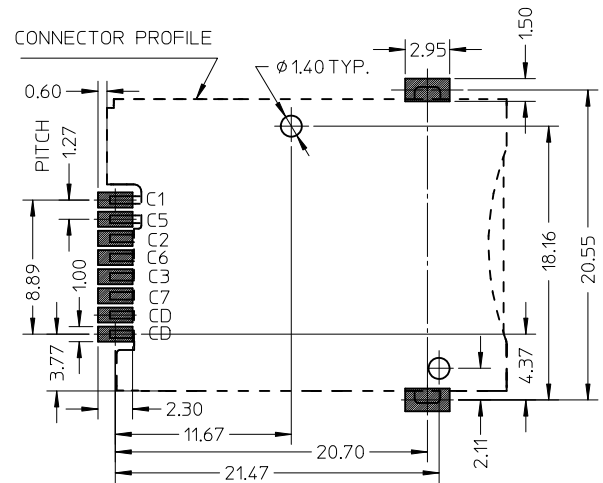
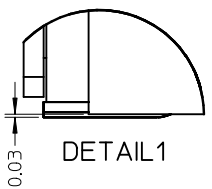
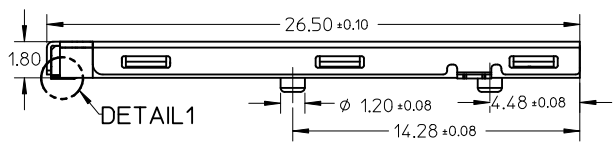
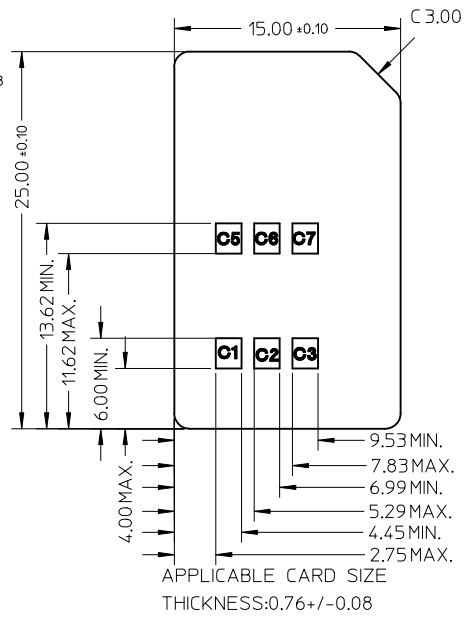
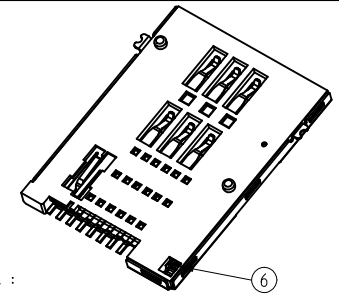
[多部分产品合规性声明](#)

- Eu RoHS
- REACH SVHC
- Low-Halogen

[多部分行业合规性文件](#)



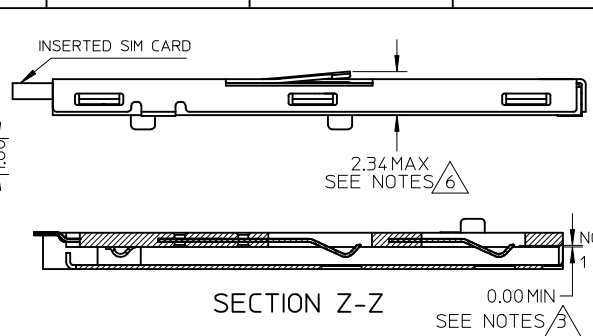
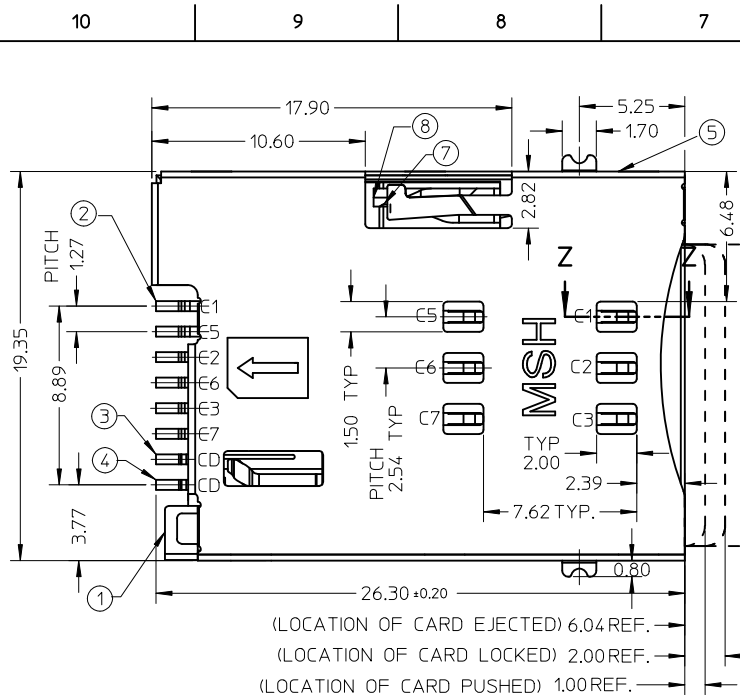
- NOTES:
- 1 FINISH:
 - 1-1 TERMINAL :
 - 50~200μ NICKEL UNDER PLATED
 - 15μ GOLD PLATING ON CONTACT AREA
 - 3μ MIN GOLD FLASH ON SOLDERING AREA
 - 1-2 SHELL :
 - 50~200μ NICKEL UNDER PLATED
 - 3μ MIN GOLD FLASH ON SOLDERING AREA
 - 1-3 DETECT PIN :
 - 50~200μ NICKEL UNDER PLATED
 - 3μ MIN GOLD PLATING ON CONTACT AREA
 - 3μ MIN GOLD PLATING ON SOLDERING AREA
 - 2 SOLDER TAIL COPLANARITY: 0.08MM MAX.
 - 3 TERMINAL TIP MUST SINK INTO HOUSING
 - 4 PRODUCT COMPLIANT TO ROHS DIRECTIVE 2002/95/EC AND ELV DIRECTIVE 2000/53/EC
 - 5 DETECT SWITCH: INSERT CARD=ON (NORMAL=OPEN)
 - 6 SPRING RISE UP DURING PUSH-PUSH PERIOD
 - 7 PACKAGE DRAWING: PK-47553-001
 - 8 PRODUCT SPECIFICATION: PS-47553-201



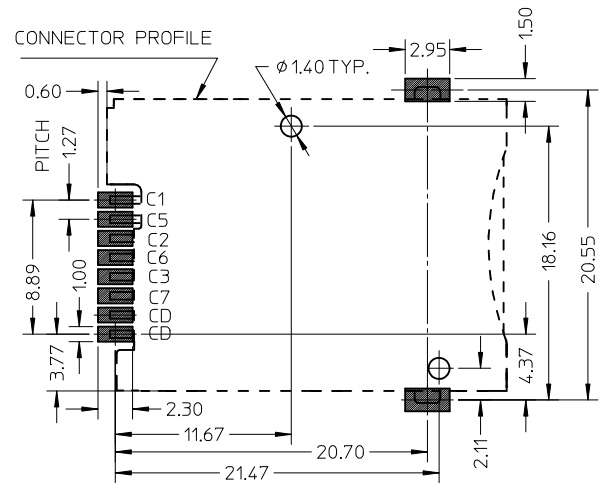
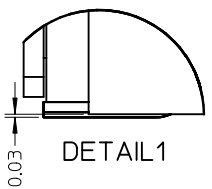
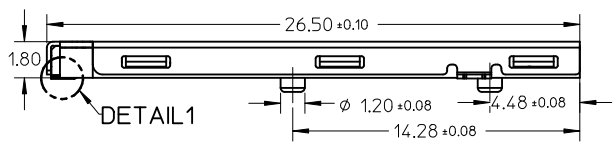
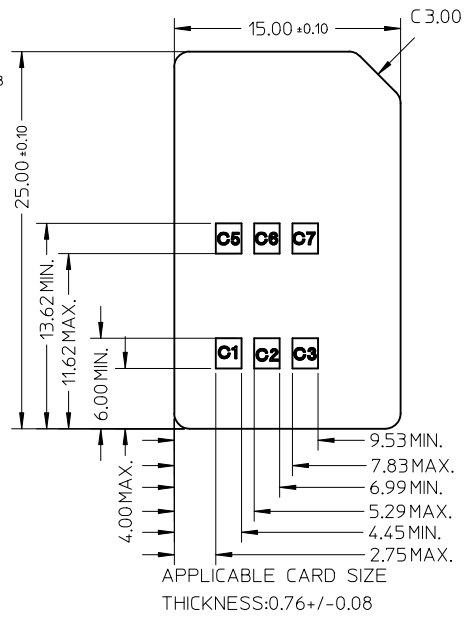
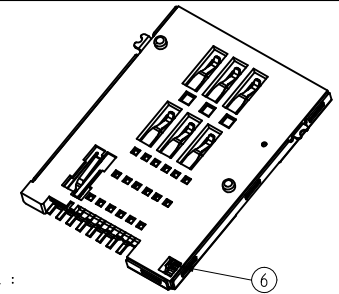
RECOMMENDED PCB LAYOUT TOLERANCE +/-0.05MM

CARD INSERTED		WITHOUT CARD	
NO.	DESCRIPTION	Q'TY	MATERIAL
1	HOUSING	1	HIGH TEMPERATURE THERMOPLASTIC
2	TERMINAL	6	COPPER ALLOY
3	DETECT PIN LOWER	1	COPPER ALLOY
4	DETECT PIN UPPER	1	COPPER ALLOY
5	SHELL	1	STAINLESS STEEL
6	COIL SPRING	1	PIANO WIRE
7	HEART CAM	1	HIGH TEMPERATURE THERMOPLASTIC
8	CAM PIN	1	STAINLESS STEEL

NEW DIM TOL CTRL EC NO: DRW/KHL/IM CHKD: JTAN02 APPR: 2011/05/27	QUALITY SYMBOLS ▽=0 ◁=0	GENERAL TOLERANCES (UNLESS SPECIFIED)		DIMENSION STYLE MM ONLY		SCALE NTS	DESIGN UNITS METRIC	THIRD ANGLE PROJECTION			
		4 PLACES ± --- ± --- 3 PLACES ± --- ± --- 2 PLACES ± 0.15 ± --- 1 PLACE ± --- ± ---	mm INCH	DRAWN BY LHSNEN	DATE 2007/07/09	TITLE PUSH PUSH 6 PINS SIM WITH DETECT PIN&POST SALES DRAWING					
		ANGULAR ± --- °		CHECKED BY XUXIANG	DATE 2007/08/30	MOLEX INCORPORATED					
		DRAFT WHERE APPLICABLE MUST REMAIN WITHIN DIMENSIONS		APPROVED BY HWWANG	DATE 2007/08/30	MATERIAL NO. 475532001	DOCUMENT NO. SD-47553-201	SHEET NO. 1 OF 1			



- NOTES:
- 1 FINISH:
 - 1-1 TERMINAL :
 - 50~200μ NICKEL UNDER PLATED
 - 15μ GOLD PLATING ON CONTACT AREA
 - 3μ MIN GOLD FLASH ON SOLDERING AREA
 - 1-2 SHELL :
 - 50~200μ NICKEL UNDER PLATED
 - 3μ MIN GOLD FLASH ON SOLDERING AREA
 - 1-3 DETECT PIN :
 - 50~200μ NICKEL UNDER PLATED
 - 3μ MIN GOLD PLATING ON CONTACT AREA
 - 3μ MIN GOLD PLATING ON SOLDERING AREA
 - 2 SOLDER TAIL COPLANARITY: 0.08MM MAX.
 - 3 TERMINAL TIP MUST SINK INTO HOUSING
 - 4 PRODUCT COMPLIANT TO ROHS DIRECTIVE 2002/95/EC AND ELV DIRECTIVE 2000/53/EC
 - 5 DETECT SWITCH: INSERT CARD=ON (NORMAL=OPEN)
 - 6 SPRING RISE UP DURING PUSH-PUSH PERIOD
 - 7 PACKAGE DRAWING: PK-47553-001
 - 8 PRODUCT SPECIFICATION: PS-47553-201



RECOMMENDED PCB LAYOUT TOLERANCE +/-0.05MM

CARD INSERTED		WITHOUT CARD	
NO.	DESCRIPTION	Q'TY	MATERIAL
1	HOUSING	1	HIGH TEMPERATURE THERMOPLASTIC
2	TERMINAL	6	COPPER ALLOY
3	DETECT PIN LOWER	1	COPPER ALLOY
4	DETECT PIN UPPER	1	COPPER ALLOY
5	SHELL	1	STAINLESS STEEL
6	COIL SPRING	1	PIANO WIRE
7	HEART CAM	1	HIGH TEMPERATURE THERMOPLASTIC
8	CAM PIN	1	STAINLESS STEEL

NEW DIM TOL CTRL EC NO: DRW/KHL/IM CHKD:JTAN02 APPR: 2011/05/27	QUALITY SYMBOLS ▽=0 ◁=0	GENERAL TOLERANCES (UNLESS SPECIFIED)		DIMENSION STYLE MM ONLY		SCALE NTS	DESIGN UNITS METRIC	THIRD ANGLE PROJECTION	
		4 PLACES ± --- ± --- 3 PLACES ± --- ± --- 2 PLACES ± 0.15 ± --- 1 PLACE ± --- ± ---	mm INCH	DRAWN BY LHSHEH	DATE 2007/07/09	TITLE PUSH PUSH 6 PINS SIM WITH DETECT PIN&POST SALES DRAWING			
		ANGULAR ± --- °		CHECKED BY XUXIANG	DATE 2007/08/30	MOLEX INCORPORATED			
		DRAFT WHERE APPLICABLE MUST REMAIN WITHIN DIMENSIONS		APPROVED BY HWWANG	DATE 2007/08/30	MATERIAL NO. 475532001	DOCUMENT NO. SD-47553-201	SHEET NO. 1 OF 1	

- IPC 1752A Class C
- IPC 1752A Class D
- Molex Product Compliance Declaration
- IEC-62474
- chemSHERPA (xml)

欧盟 RoHS 合格证书

产品详情

常规

状态	活动
类别	Memory / SIM Card Connectors
系列	47388
说明	2.54mm Pitch SIM Card Connector, Hinged Style, 6 Circuits, Surface Mount, with PCB Retention Solder Tabs, with Cover Shell, Housing Height 1.90mm, with 4 Dimples, Lead-Free
个评论	With 4 Dimples; Terminal Width 1.14mm
产品系列	SD and SIM Memory Card Sockets
产品名称	mini-SIM
类型	Hinge
UPC	800756905754

电气

每触点最大电流	0.5A
屏蔽	是
电压 - 最大	5V

物理

卡片探测开关	否
回路数 (已载入)	6
电路数 (最多)	6
颜色-树脂	黑色
耐用性(插拔次数) - 最多次数	5000
弹出器按钮端	不适用
材料 - 触头	Copper Alloy

材料 - 终端电镀	Tin
材料 - 树脂	High Temperature Thermoplastic
材料 - 外壳	Stainless Steel
净重	1.082/g
包装形式	Embossed Tape on Reel
PCB 定位器	否
PCB 保持力	是
间距 - 插配接口	2.54mm
间距 - 终端界面	2.54mm
运行温度范围	-40° to +85° C
终端界面类型	Surface Mount

进程

最长持续时间	3
无铅	REFLOW
最大周期	1
最高温度	255

可配插/可连接使用的产品

可配插部件

描述	产品编号
配插使用	Standard SIM Card
