



产品编号 : 477259040

**Product Description** : MX150 Panel Mount Male Connector Assembly, Dual Row, 12 Circuits, Keying Option D, UL 94V-0, Stone Gray Housing, Blue Gasket

系列号 : 47725

**状态** : Active

**Product Category** : Connector Housings

---

## 文件和资源

### 图纸

图纸 477259040\_sd.pdf

### 3D 模型和设计文件

3D模型 477259040\_stp.zip

### 规格


产品规格 PS-47725-000-001.pdf

测试摘要 477250001-TS-000.pdf

---

## 产物环境合规

### 合规

GADSL/IMDS	Compliant
China RoHS	
EU ELV	Compliant per 2000/53/EC
Low-Halogen Status	Not Low-Halogen per IEC 61249-2-21
REACH SVHC	Not Contained per D(2023)8585-DC (23 Jan 2024)
EU RoHS	Compliant per EU 2015/863

### 多部分产品合规性声明

- Eu RoHS
- REACH SVHC
- Low-Halogen
  
- IPC 1752A Class C
- IPC 1752A Class D
- Molex Product Compliance Declaration
- IEC-62474

## 产品详情

### 常规

状态	活动
类别	Connector Housings
系列	47725
说明	MX150 Panel Mount Male Connector Assembly, Dual Row, 12 Circuits, Keying Option D, UL 94V-0, Stone Gray Housing, Blue Gasket
应用	Power, Wire-to-Wire
产品系列	MX150 Sealed and Unsealed Connector System
产品名称	MX150
UPC	191128244633

### 机构

UL	E29179
----	--------

### 物理

电路数 (最多)	12
颜色-树脂	Stone Gray
阻燃性	94V-0
性别	Plug
符合灼热丝规范	否
插接极性	是
锁定插接部位	是
材料 - 树脂	Nylon
净重	18.000/g
行数	2
包装形式	Tray
面板安装式	是
间距 - 插配接口	3.50mm
极化	D

有极性的插配件	是
可堆叠的	否
运行温度范围	-40° to +125° C

---

## 可配插/可连接使用的产品

### 可配插部件

描述	产品编号
MX150 Mat-Sealed Dual Row Female Connector Assemblies	<u>33472</u>

### 可连接使用部件

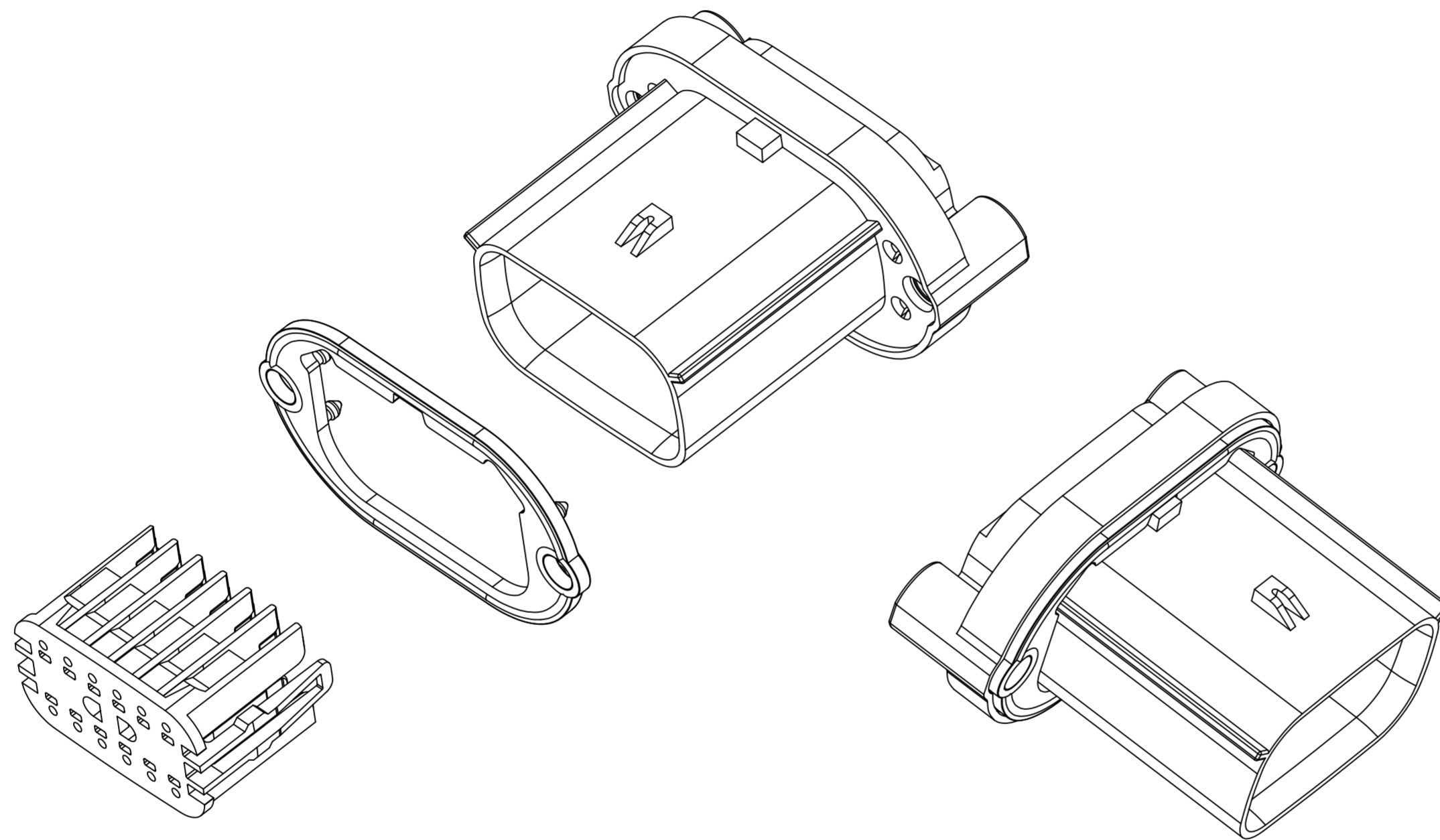
描述	产品编号
MX150 Male Terminals	<u>33000</u>
MX150 Male Terminals	<u>33011</u>

## TABLE OF CONTENTS

SHEET 1	NOTES, ISO VIEW
SHEET 2	BOM AND POLARIZATION
SHEET 3	COMPARISON UL HB PART AND UL V0
SHEET 4	DETAIL VIEWS AND SECTIONS

NOTES: VALID UNLESS OTHERWISE SPECIFIED

1. APPLICATION SPECIFICATION SEE: AS-47725-001
2. PRODUCT SPECIFICATION SEE: PS-47725-000
3. PARTS MUST BE IN COMPLIANCE TO MOLEX CHEMICAL SUBSTANCES FOR PRODUCTS AND PACKAGING SPECIFICATION: ES-40000-5016
4. MATERIALS:
  - a. HOUSING:
    - UL HB PART: PBT, 15% GLASS FILLED
    - UL V0 PART: PA6, 30% GLASS FILLED
  - b. TPA:
    - UL HB PART: SPS/NYLON BLEND, 20% GLASS FILLED
    - UL V0 PART: PA6, 30% GLASS FILLED
  - c. GASKET: SILICONE
5. SHIPPED PART WITH TPA IN PRE-LOCK POSITION
6. DESIGNED TO MATE WITH MX150 RECEPTACLE CONNECTOR ASSEMBLY
7. FOR ESSENTIAL PARTS (TERMINAL, WIRE ETC.) AND INSTALLATION TO COMPLETE ASSEMBLY SEE MOLEX PRODUCT SPECIFICATION PS-33472-000



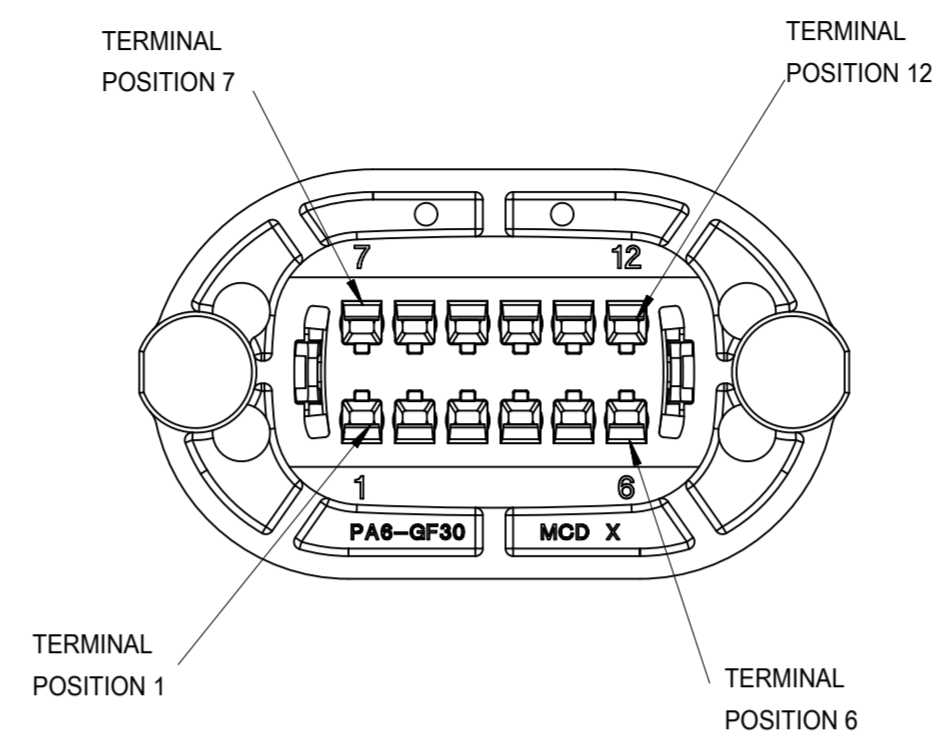
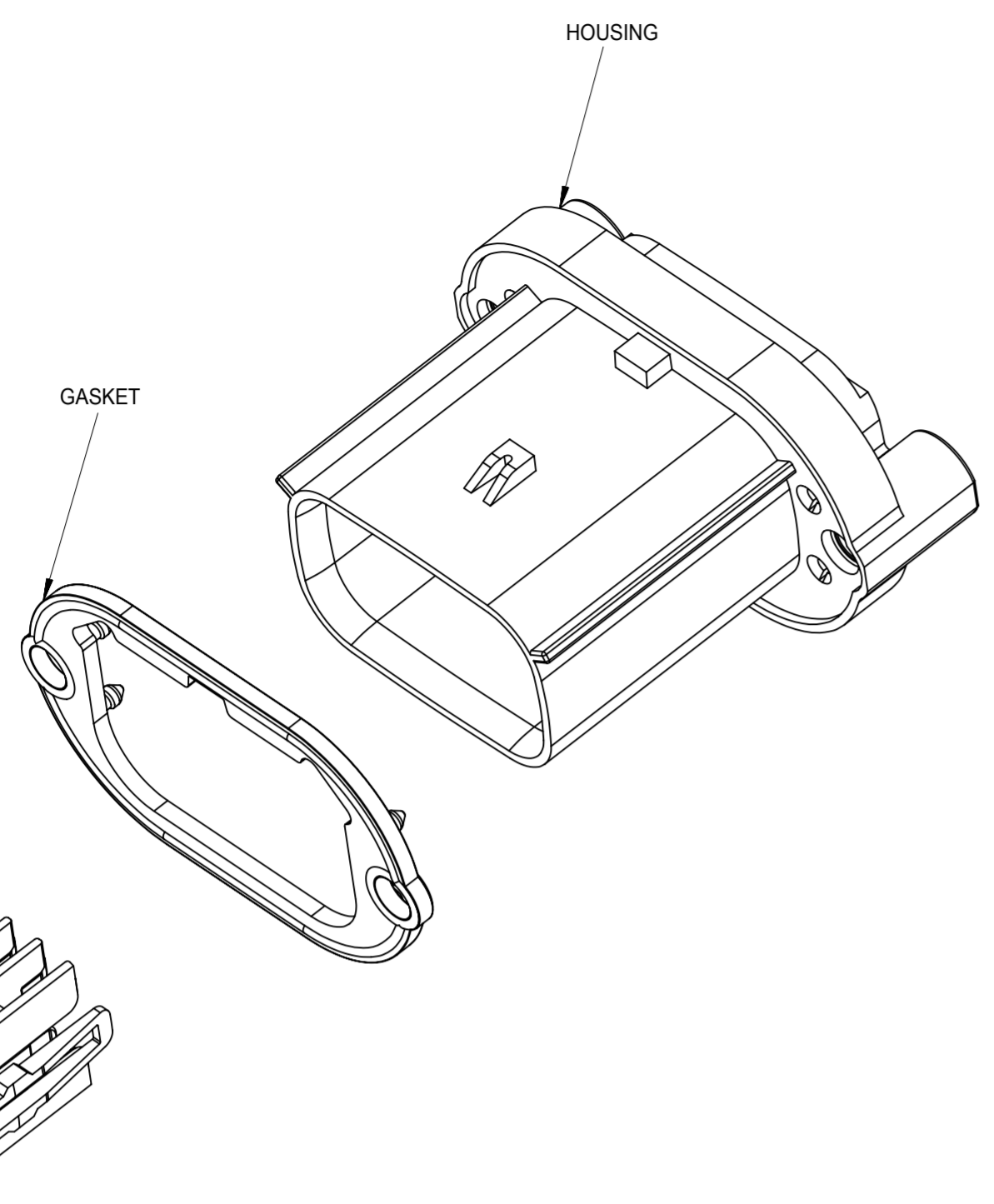
C2	CHANGE 477257010/ 20 /30 40 TO PLANNED OBSOLESCENCE; AND CHANGE 477258010/ 20 /30 40 TO NOT RECOMMENDED
C1	CHANGE THE 477256020 AND 477257020 FROM SALEABLE TO OK TO TOOL IN BOM SHEET 2
C	ADD POLARIZATION DIMENSIONS A AND B IN SHEET 2
B4	ADD BOM IN SHEET 2
B3	UPDATED STATUS FOR EACH PRODUCT NUMBER ADDED PART NUMBER 477258010; 477258020 477258030; 477258030
B2	ADDED DIMENSION 1b FOR V0 ADDED DIMENSION 2b FOR V0
B1	ADD P/N 477259050 UPDATE TRACEABILITY AREA
B	ADD UL V0 VERSION
A	INITIAL RELEASE
REV	DESCRIPTION

INSPECTION BALLOON NUMBER LOG			
PER DRAWING REVISION: C2			
LAST BALLOON NUMBER USED: 5			
ADDED BALLOON NUMBERS:			
REMOVED BALLOON NUMBERS:			
THIS DRAWING CONTAINS INFORMATION THAT IS PROPRIETARY TO MOLEX ELECTRONIC TECHNOLOGIES, LLC AND SHOULD NOT BE USED WITHOUT WRITTEN PERMISSION			
<b>SYMBOLS</b>	DIMENSION UNITS	SCALE	CURRENT REV DESC:
∇ = 0	mm	2:1	EC NO: 642599 DRWN: WKHE 2020/07/31 CHK'D: JDENG02 2020/08/05 APPR: JDENG02 2020/08/05 INITIAL REVISION: DRWN: CDZHANG 2015/11/20 APPR: CBQIU 2015/12/21
∇ = 0	GENERAL TOLERANCES (UNLESS SPECIFIED)		
∇ = 0	ANGULAR TOL ± °		
∇ = 0	4 PLACES ±		
∇ = 0	3 PLACES ±		
∇ = 0	2 PLACES ±		
∇ = 0	1 PLACE ±		
∇ = 0	0 PLACES ±		
∇ = 0	DRAFT WHERE APPLICABLE MUST REMAIN WITHIN DIMENSIONS		
∇ = 0	THIRD ANGLE PROJECTION	DRAWING	
		A2-SIZE	47725
DOCUMENT NUMBER		DOC TYPE	DOC PART
SD-47725-601		PSD	001
MATERIAL NUMBER		CUSTOMER	SHEET NUMBER
ON SHEET 2		GENERAL MARKET	1 OF 4

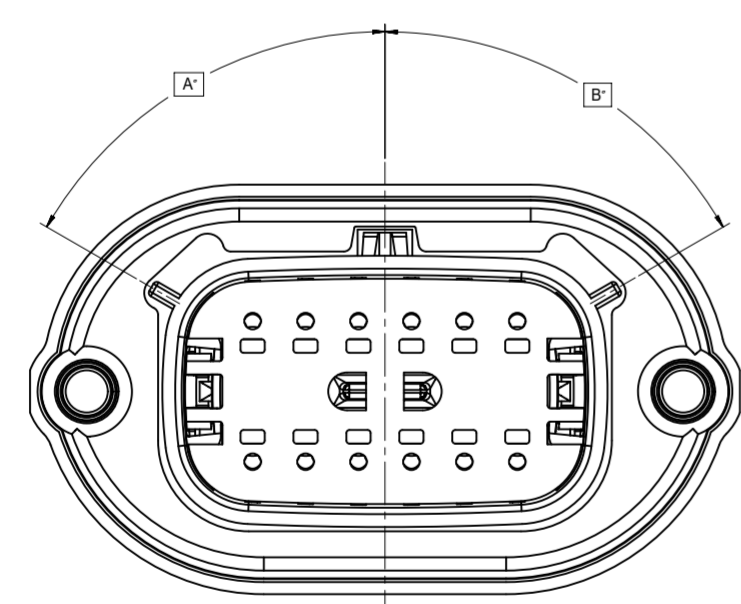
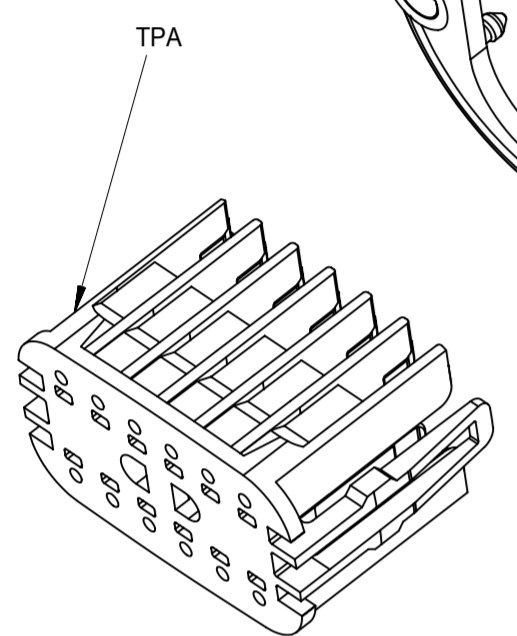
# molex

MX150 2X6  
PANEL MOUNT CONNECTOR

PRODUCT CUSTOMER DRAWING



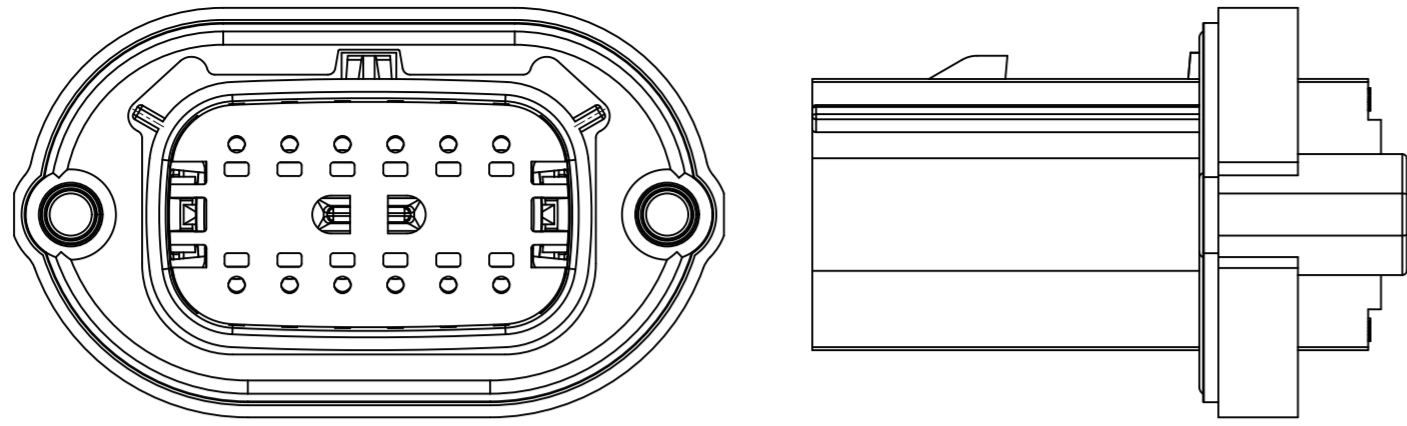
ABBREVIATION	DESCRIPTION	COLOR	MATERIAL
A-BLK-HB	HOUSING, KEY OPITION A, HB	BLACK	PBT GF15
B-LG-HB	HOUSING, KEY OPITION B, HB	LIGHT GRAY	PBT GF15
C-DG-HB	HOUSING, KEY OPITION C, HB	DARK GRAY	PBT GF15
D-SG-HB	HOUSING, KEY OPITION D, HB	STONE GRAY	PBT GF15
A-BLK-V0	HOUSING, KEY OPITION A, V0	BLACK	PA6 GF30
B-LG-V0	HOUSING, KEY OPITION B, V0	LIGHT GRAY	PA6 GF30
C-DG-V0	HOUSING, KEY OPITION C, V0	DARK GRAY	PA6 GF30
D-SG-V0	HOUSING, KEY OPITION D, V0	STONE GRAY	PA6 GF30
D-BLK-V0	HOUSING, KEY OPITION D, V0	BLACK	PA6 GF30
GASKET	GASKET	BLUE	SILICONE
TPA-HB	TPA, HB	NATURAL	SPS/NYLON GF20
TPA-V0	TPA, V0	ASH GRAY	PA6 GF30



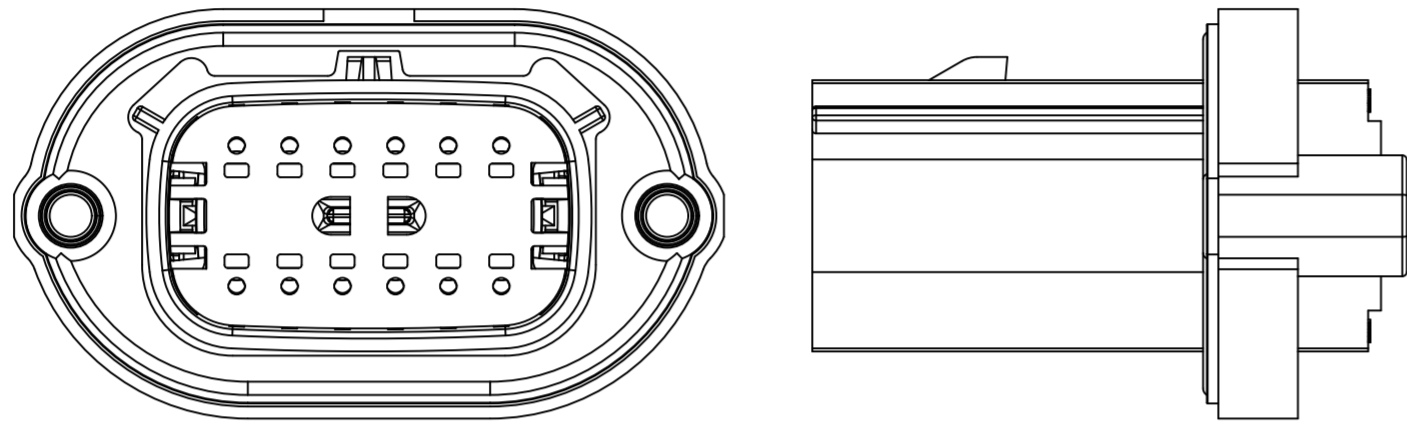
ASSEMBLY DESCRIPTION	ASSEMBLY PART NUMBER	COMPONENT			DIMENSIONS		STATUS
		THE PRESENCE OF AN ABBREVIATION INDICATES THE PRESENCE OF THAT COMPONENT			A	B	
		HOUSING KEY/COLOR	GASKET COLOR	TPA COLOR			
KEY A, BLACK, HB	477256010	A-BLK-HB	BLUE	NATURAL	60	60	SALEABLE
KEY B, LIGHT GRAY, HB	477256020	B-LG-HB	BLUE	NATURAL	25	60	OK TO TOOL
KEY C, DARK GRAY, HB	477256030	C-DG-HB	BLUE	NATURAL	60	25	SALEABLE
KEY D, STONE GRAY, HB	477256040	D-SG-HB	BLUE	NATURAL	25	25	SALEABLE
KEY A, BLACK, HB	477257010	A-BLK-HB	BLUE	NATURAL	60	60	PLANNED OBSOLESCENCE
KEY B, LIGHT GRAY, HB	477257020	B-LG-HB	BLUE	NATURAL	25	60	PLANNED OBSOLESCENCE
KEY C, DARK GRAY, HB	477257030	C-DG-HB	BLUE	NATURAL	60	25	PLANNED OBSOLESCENCE
KEY D, STONE GRAY, HB	477257040	D-SG-HB	BLUE	NATURAL	25	25	PLANNED OBSOLESCENCE
KEY A, BLACK, V0	477258010	A-BLK-V0	BLUE	ASH GRAY	60	60	NOT RECOMMENDED
KEY B, LIGHT GRAY, V0	477258020	B-LG-V0	BLUE	ASH GRAY	25	60	NOT RECOMMENDED
KEY C, DARK GRAY, V0	477258030	C-DG-V0	BLUE	ASH GRAY	60	25	NOT RECOMMENDED
KEY D, STONE GRAY, V0	477258040	D-SG-V0	BLUE	ASH GRAY	25	25	NOT RECOMMENDED
KEY A, BLACK, V0	477259010	A-BLK-V0	BLUE	ASH GRAY	60	60	SALEABLE
KEY B, LIGHT GRAY, V0	477259020	B-LG-V0	BLUE	ASH GRAY	25	60	SALEABLE
KEY C, DARK GRAY, V0	477259030	C-DG-V0	BLUE	ASH GRAY	60	25	SALEABLE
KEY D, STONE GRAY, V0	477259040	D-SG-V0	BLUE	ASH GRAY	25	25	SALEABLE
KEY D, BLACK, V0	477259050	D-BLK-V0	BLUE	ASH GRAY	25	25	PLANNED OBSOLESCENCE

<b>SYMBOLS</b> DIMENSION UNITS: mm SCALE: 2:1 GENERAL TOLERANCES (UNLESS SPECIFIED): ANGULAR TOL: ± ° 4 PLACES ± 3 PLACES ± 2 PLACES ± 1 PLACE ± 0 PLACES ± DRAFT WHERE APPLICABLE MUST REMAIN WITHIN DIMENSIONS THIRD ANGLE PROJECTION	THIS DRAWING CONTAINS INFORMATION THAT IS PROPRIETARY TO MOLEX ELECTRONIC TECHNOLOGIES, LLC AND SHOULD NOT BE USED WITHOUT WRITTEN PERMISSION		<b>CURRENT REV DESC:</b> EC NO: 642599 DRWN: WKHE 2020/07/31 CHK'D: JDENG02 2020/08/05 APPR: JDENG02 2020/08/05		 <b>MX150 2X6</b> PANEL MOUNT CONNECTOR PRODUCT CUSTOMER DRAWING
	INITIAL REVISION: DRWN: CDZHANG 2015/11/20 APPR: CBQIU 2015/12/21		DOCUMENT NUMBER: SD-47725-601 DOC TYPE: PSD DOC PART: 001 REVISION: C2		
	MATERIAL NUMBER: SEE TABLE CUSTOMER: GENERAL MARKET		SHEET NUMBER: 2 OF 4		
	DRAFT WHERE APPLICABLE MUST REMAIN WITHIN DIMENSIONS		DRAWING: A2-SIZE SERIES: 47725		

47725-60XX  
47725-90XX

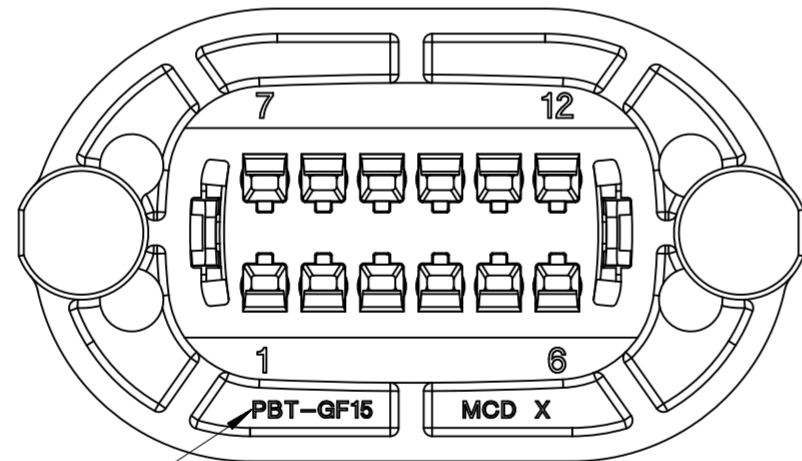


47725-70XX  
47725-80XX



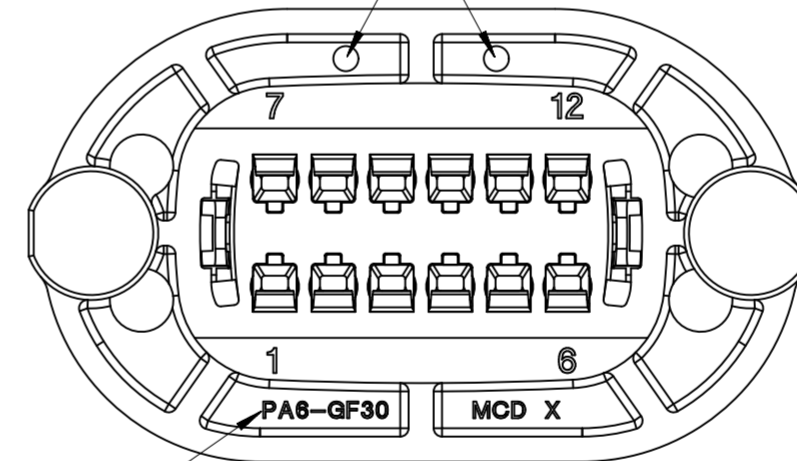
DIFFERENCE BETWEEN UL HB PART AND UL V0 PART

2 COLUMNS ADDED ON V0 PART TO  
DISTINGUISH FROM HB GRADE PART



DIFFERENCES CYCLING CODE

UL HB PART



DIFFERENCES CYCLING CODE

UL V0 PART

<b>SYMBOLS</b> = 0 = 0 = 0 = 0 = 0 = 0 = 0 = 0 = 0	THIS DRAWING CONTAINS INFORMATION THAT IS PROPRIETARY TO MOLEX ELECTRONIC TECHNOLOGIES, LLC AND SHOULD NOT BE USED WITHOUT WRITTEN PERMISSION					
	DIMENSION UNITS	SCALE	CURRENT REV DESC:			
	mm	2:1				
	GENERAL TOLERANCES (UNLESS SPECIFIED)		EC NO: 642599			
	ANGULAR TOL	± °	DRWN: WKHE	2020/07/31		
	4 PLACES	±	CHK'D: JDENG02	2020/08/05		
	3 PLACES	±	APPR: JDENG02	2020/08/05		
	2 PLACES	±	INITIAL REVISION:			
	1 PLACE	±	DRWN: CDZHANG	2015/11/20		
	0 PLACES	±	APPR: CBQIU	2015/12/21		
DRAFT WHERE APPLICABLE MUST REMAIN WITHIN DIMENSIONS	THIRD ANGLE PROJECTION	DRAWING	SERIES	MATERIAL NUMBER	CUSTOMER	SHEET NUMBER
		A2-SIZE	47725	ON SHEET 2	GENERAL MARKET	3 OF 4

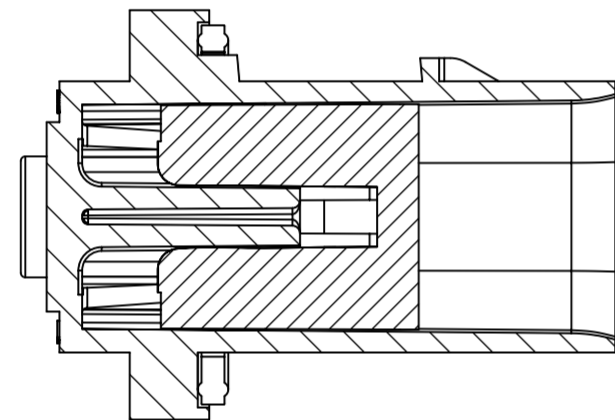
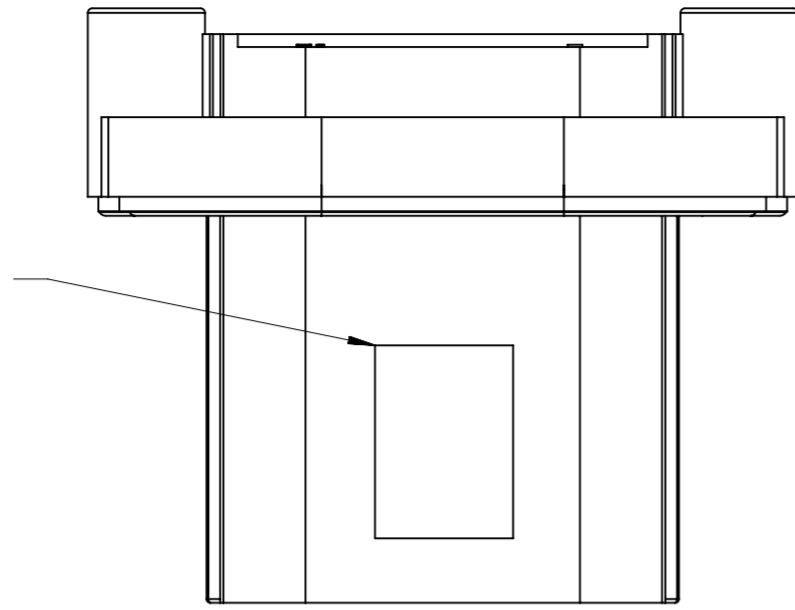
**molex**

MX150 2X6  
PANEL MOUNT CONNECTOR

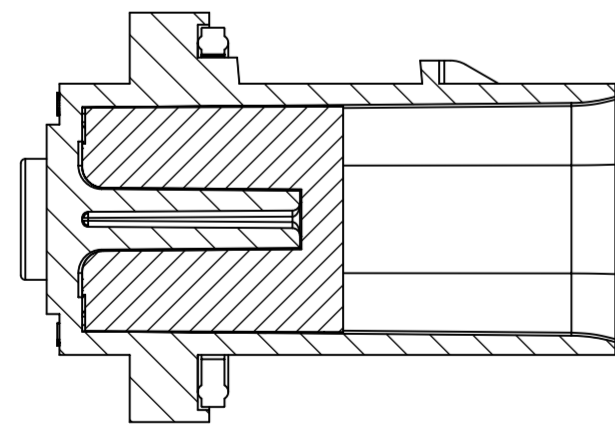
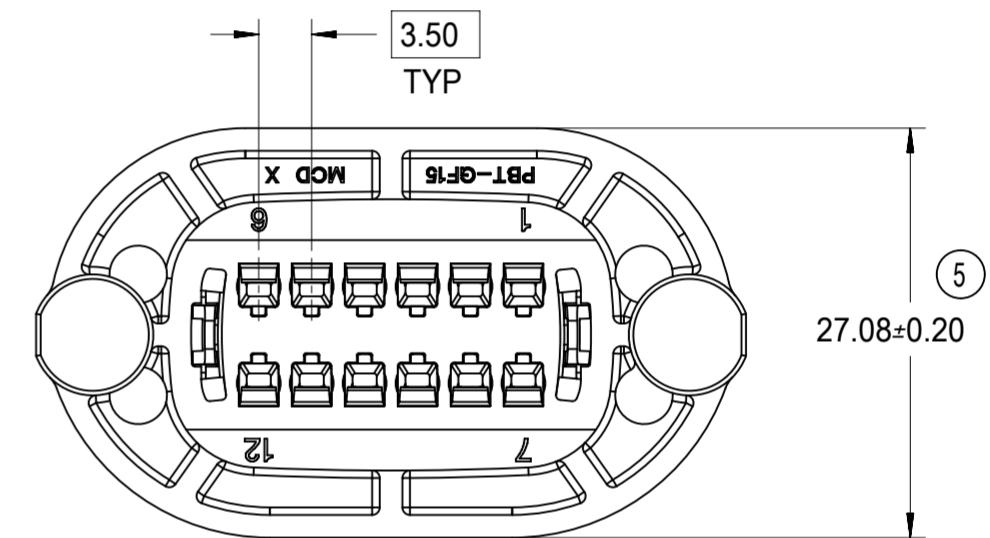
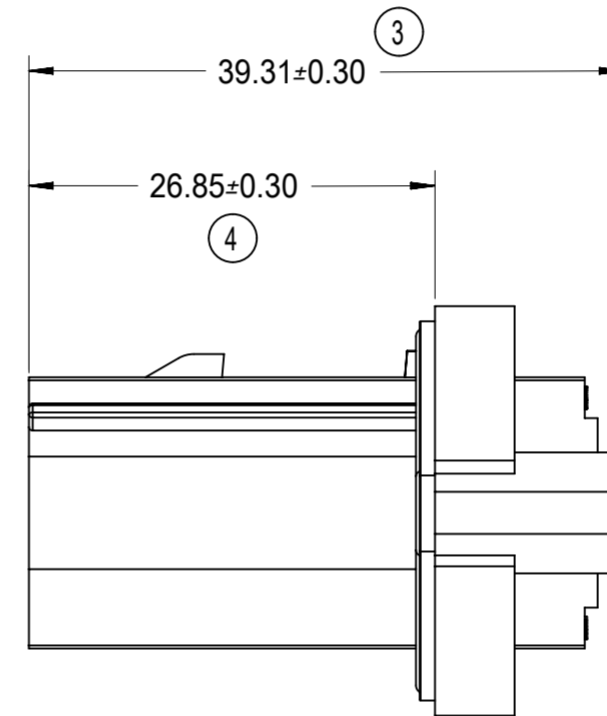
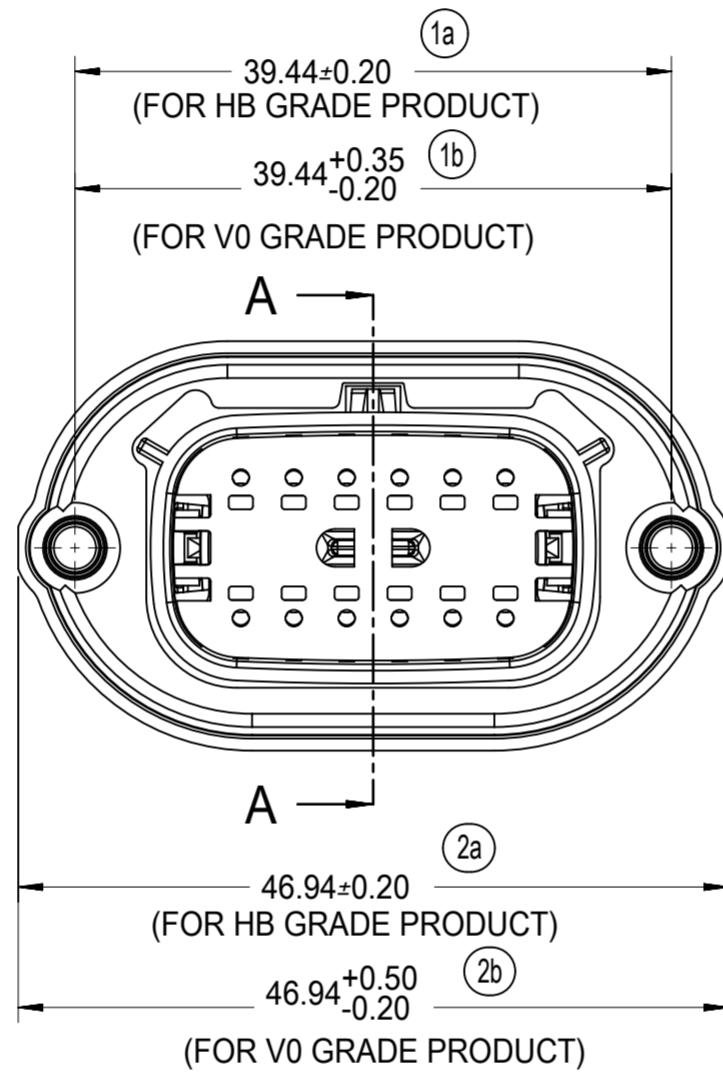
PRODUCT CUSTOMER DRAWING

DOCUMENT NUMBER	DOC TYPE	DOC PART	REVISION
SD-47725-601	PSD	001	C2

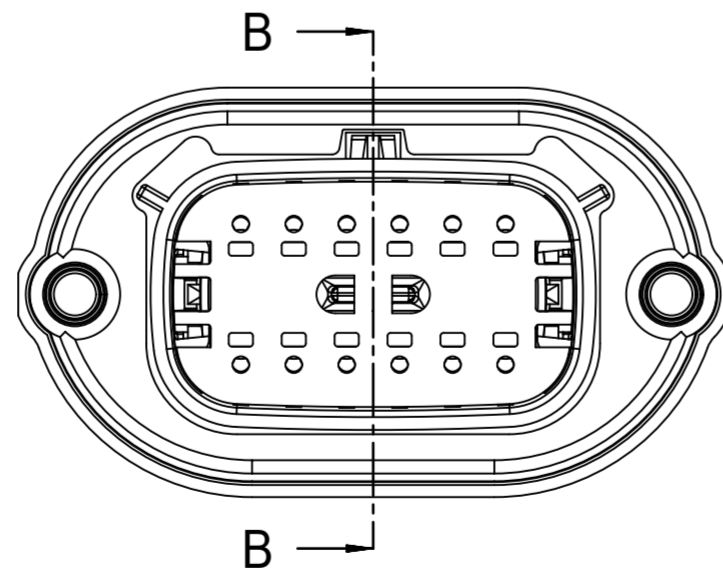
TRACEABILITY INFORMATION  
LOCATION IN THIS AREA



**SECTION A-A**  
(TPA SHOWN IN PRE-LOCK POSITION  
FOR REFERENCE ONLY)



(TPA SHOWN IN FULL-LOCK POSITION  
FOR REFERENCE ONLY)



<b>SYMBOLS</b> ∇ = 0 ∇ = 0 ∇ = 0 S = 0 ▼ = 0 ∇ = 0 ⊠ = 0 ■ = 0 ∇ = 0	THIS DRAWING CONTAINS INFORMATION THAT IS PROPRIETARY TO MOLEX ELECTRONIC TECHNOLOGIES, LLC AND SHOULD NOT BE USED WITHOUT WRITTEN PERMISSION		CURRENT REV DESC:			
	DIMENSION UNITS	SCALE				MX150 2X6 PANEL MOUNT CONNECTOR
	mm	2:1				
	GENERAL TOLERANCES (UNLESS SPECIFIED)		EC NO: 642599	2020/07/31	PRODUCT CUSTOMER DRAWING DOCUMENT NUMBER: SD-47725-601 DOC TYPE: PSD DOC PART: 001 REVISION: C2	
	ANGULAR TOL ± °		DRWN: WKHE	2020/08/05		
	4 PLACES ±		CHK'D: JDENG02	2020/08/05		
	3 PLACES ±		APPR: JDENG02	2020/08/05	INITIAL REVISION: DRWN: CDZHANG 2015/11/20 APPR: CBQIU 2015/12/21	
	2 PLACES ±					
	1 PLACE ±				MATERIAL NUMBER: ON SHEET 2 CUSTOMER: GENERAL MARKET SHEET NUMBER: 4 OF 4	
	0 PLACES ±					
DRAFT WHERE APPLICABLE MUST REMAIN WITHIN DIMENSIONS		THIRD ANGLE PROJECTION	DRAWING: A2-SIZE	SERIES: 47725		