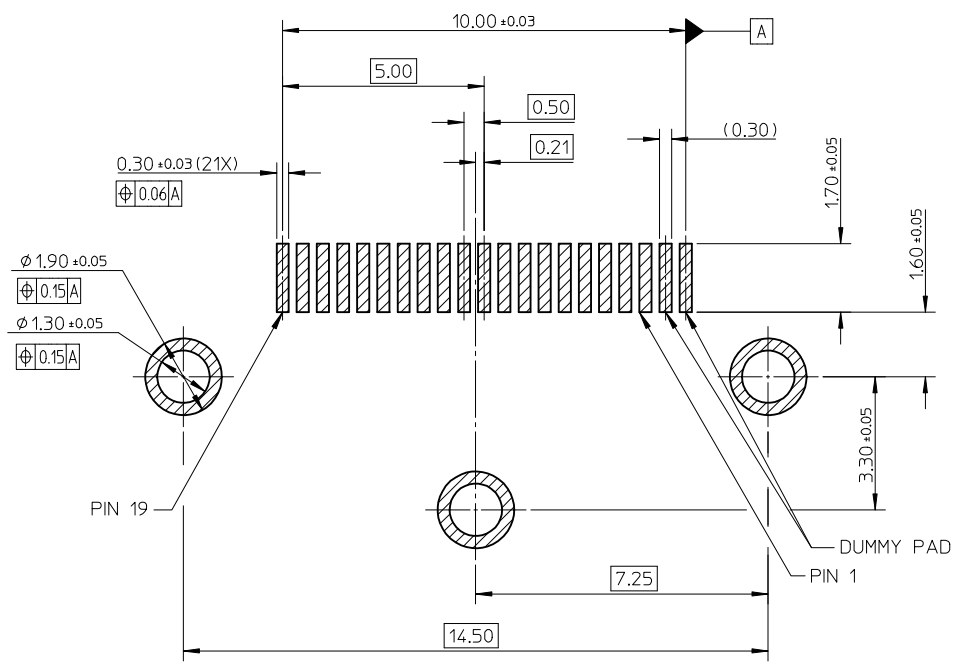
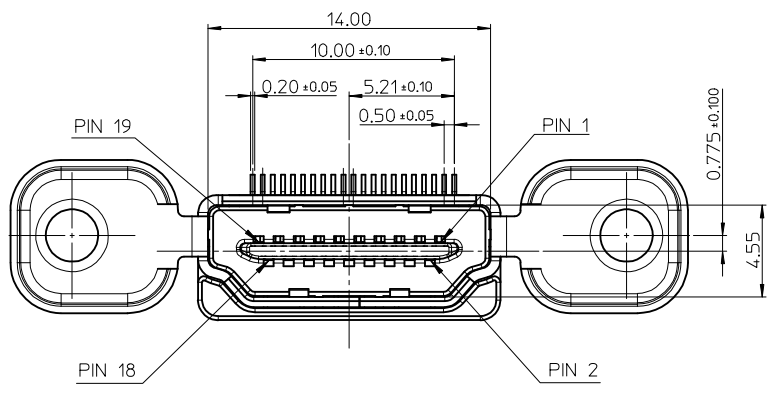


NOTES:

- MATERIAL:
  - HOUSING: GLASS FILLED HEAT RESISTED RESIN, UL94V-0.
  - TERMINAL: COPPER ALLOY.
  - SHELL: COPPER ALLOY.
  - CAP: GLASS FILLED HEAT RESISTED RESIN, UL94V-0.
- PLATING:
  - TERMINAL:
    - CONTACT AREA: GOLD FLASH PLATING,
    - SOLDER AREA: 1 MICROMETER MIN. MATTE TIN PLATING,
    - UNDERPLATE: 1 MICROMETER MIN. NICKEL PLATING OVERALL.
  - SHELL:
    - SOLDER AREA: 1 MICROMETER MIN. MATTE TIN PLATING,
    - UNDERPLATE: 1 MICROMETER MIN. NICKEL PLATING OVERALL.
- PRODUCT SPECIFICATION REFER TO PS-48307-901.
- PACKAGE REFER TO PK-48307-822.
- COPLANARITY OF SOLDER TAIL TO BE 0.1 MAX..
- THE PART CAN COMPLIANT TO ROHS DIRECTIVE 2002/95/EC AND ELV DIRECTIVE 2000/53/EC.

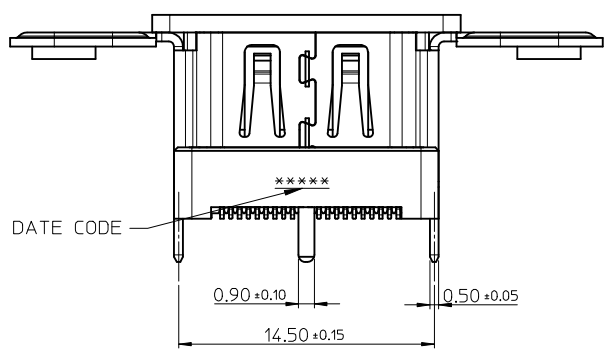
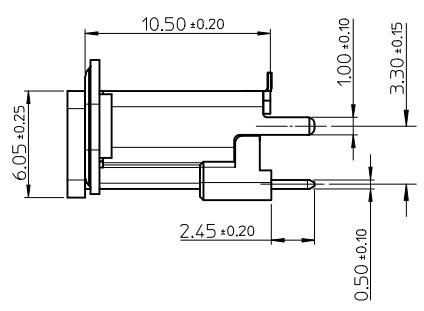
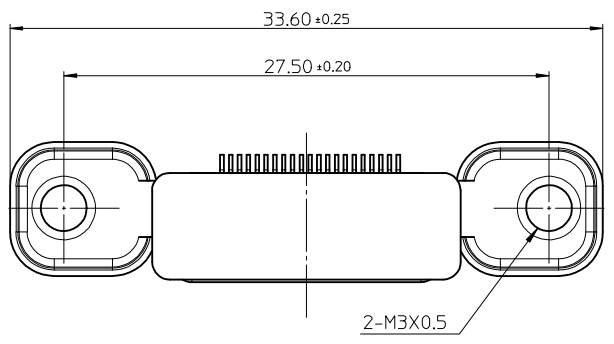
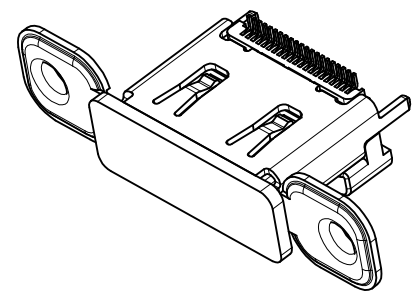
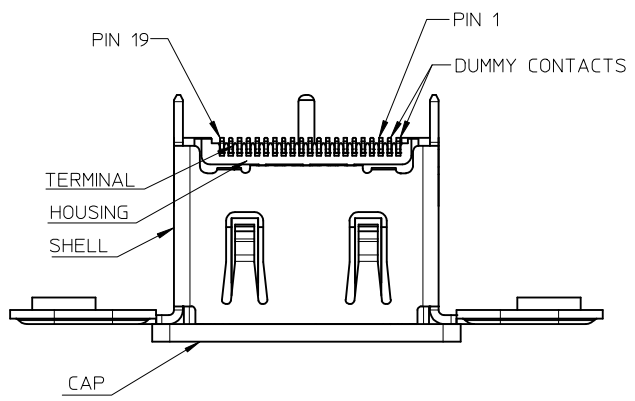
48307-8022	6T+STRUCTURE 2
48307-8012	LCP+STRUCTURE 1
PART NUMBER	CAP SOLUTION

REVISED EC NO: SH2009-0591 DRW:KWEI 2009/05/20 CHKD:RZHANG 2009/05/20 APPR:HWANG 2009/07/07	QUALITY SYMBOLS ▽=0 ◻=0	GENERAL TOLERANCES (UNLESS SPECIFIED)		DIMENSION STYLE MM ONLY		SCALE 1:10	DESIGN UNITS METRIC		THIRD ANGLE PROJECTION		
			mm	INCH	DRAWN BY	DATE	TITLE				
		4 PLACES	± ---	± ---	RZHANG	2008/08/12	SALES DRAWING VERTICAL HDMI RECEP. WITHOUT SUPPORT MOLEX INCORPORATED				
		3 PLACES	± ---	± ---	CHECKED BY	DATE					
2 PLACES	± 0.25	± ---	RZHANG	2008/08/12	MATERIAL NO. 48307-80*2						
1 PLACE	± 0.25	± ---	APPROVED BY	DATE							
ANGULAR ± ---°				HWANG	2008/08/12	DOCUMENT NO.		SD-48307-822			
DRAFT WHERE APPLICABLE MUST REMAIN WITHIN DIMENSIONS				SIZE	THIS DRAWING CONTAINS INFORMATION THAT IS PROPRIETARY TO MOLEX INCORPORATED AND SHOULD NOT BE USED WITHOUT WRITTEN PERMISSION					SHEET NO. 1 OF 2	



RECOMMENDED PCB LAYOUT  
THICKNESS IS 1.60MM

REVISED EC NO: SH2009-0591 DRW:KWEI CHK:RZHANG APPR:HWANG	2009/05/20 2009/05/20 2009/07/07	DESCRIPTION REV	QUALITY SYMBOLS	GENERAL TOLERANCES (UNLESS SPECIFIED)	DIMENSION STYLE	SCALE	DESIGN UNITS	THIRD ANGLE PROJECTION
			▽=0 □=0	mm      INCH 4 PLACES ± --- ± --- 3 PLACES ± --- ± --- 2 PLACES ± 0.25 ± --- 1 PLACE ± 0.25 ± --- ANGULAR ± ---°	MM ONLY	4:1	METRIC	
				DRAFT WHERE APPLICABLE MUST REMAIN WITHIN DIMENSIONS	DRAWN BY: RZHANG      DATE: 2008/08/12 CHECKED BY: RZHANG      DATE: 2008/08/12 APPROVED BY: HWANG      DATE: 2008/08/12	TITLE	SALES DRAWING VERTICAL HDMI RECEPT. WITHOUT SUPPORT	
					MATERIAL NO.      SEE SHEET 1 SIZE: A3      THIS DRAWING CONTAINS INFORMATION THAT IS PROPRIETARY TO MOLEX INCORPORATED AND SHOULD NOT BE USED WITHOUT WRITTEN PERMISSION	MOLEX INCORPORATED DOCUMENT NO.      SD-48307-822 SHEET NO.      2 OF 2		

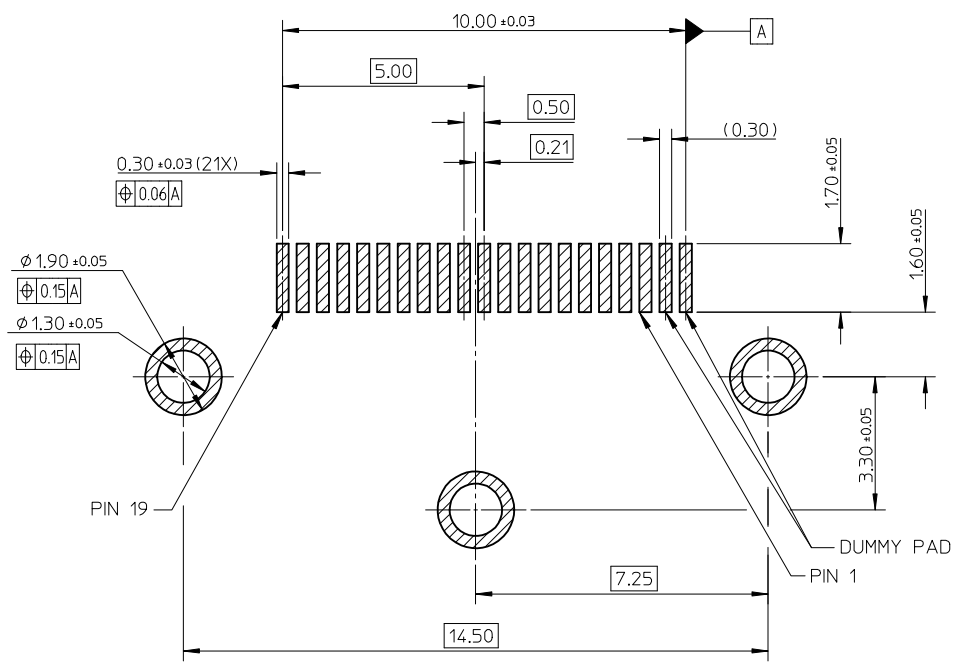
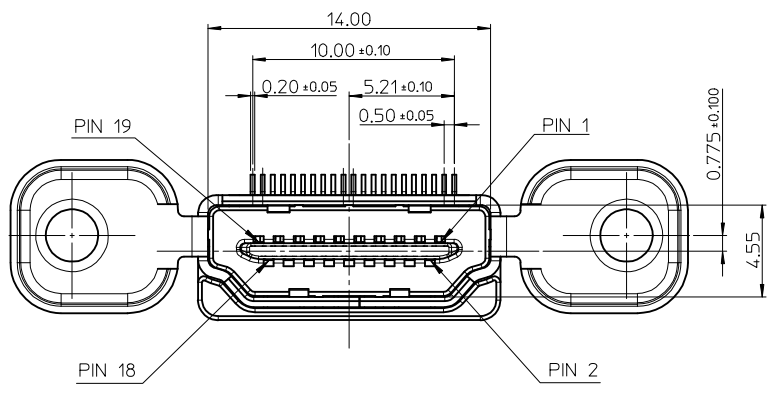


NOTES:

1. MATERIAL:
  - HOUSING: GLASS FILLED HEAT RESISTED RESIN, UL94V-0.
  - TERMINAL: COPPER ALLOY.
  - SHELL: COPPER ALLOY.
  - CAP: GLASS FILLED HEAT RESISTED RESIN, UL94V-0.
2. PLATING:
  - TERMINAL:
    - CONTACT AREA: GOLD FLASH PLATING,
    - SOLDER AREA: 1 MICROMETER MIN. MATTE TIN PLATING,
    - UNDERPLATE: 1 MICROMETER MIN. NICKEL PLATING OVERALL.
  - SHELL:
    - SOLDER AREA: 1 MICROMETER MIN. MATTE TIN PLATING,
    - UNDERPLATE: 1 MICROMETER MIN. NICKEL PLATING OVERALL.
3. PRODUCT SPECIFICATION REFER TO PS-48307-901.
4. PACKAGE REFER TO PK-48307-822.
5. COPLANARITY OF SOLDER TAIL TO BE 0.1 MAX..
6. THE PART CAN COMPLIANT TO ROHS DIRECTIVE 2002/95/EC AND ELV DIRECTIVE 2000/53/EC.

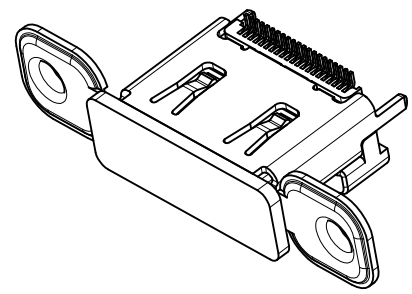
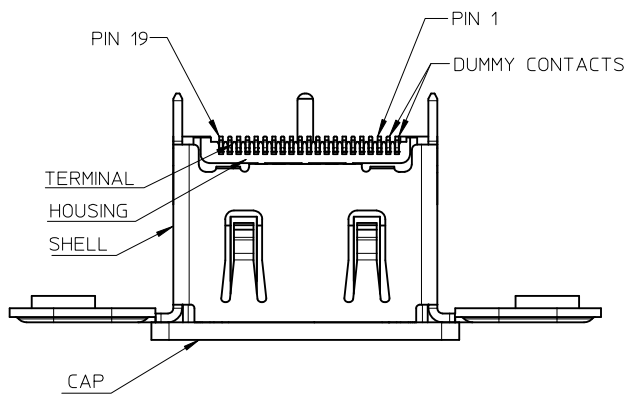
48307-8022	6T+STRUCTURE 2
48307-8012	LCP+STRUCTURE 1
PART NUMBER	CAP SOLUTION

REVISED EC NO: SH2009-0591 DRW:KWEI 2009/05/20 CHKD:RZHANG 2009/05/20 APPR:HWANG 2009/07/07	QUALITY SYMBOLS ▽=0 ◻=0	GENERAL TOLERANCES (UNLESS SPECIFIED)		DIMENSION STYLE MM ONLY		SCALE 1:10	DESIGN UNITS METRIC		THIRD ANGLE PROJECTION		
			mm	INCH	DRAWN BY	DATE	TITLE				
		4 PLACES	± ---	± ---	RZHANG	2008/08/12	SALES DRAWING VERTICAL HDMI RECEP. WITHOUT SUPPORT MOLEX INCORPORATED				
		3 PLACES	± ---	± ---	CHECKED BY	DATE					
2 PLACES	± 0.25	± ---	RZHANG	2008/08/12	MATERIAL NO. 48307-80*2						
1 PLACE	± 0.25	± ---	APPROVED BY	DATE							
ANGULAR ± ---°				HWANG	2008/08/12	DOCUMENT NO.		SD-48307-822			
DRAFT WHERE APPLICABLE MUST REMAIN WITHIN DIMENSIONS				SIZE	THIS DRAWING CONTAINS INFORMATION THAT IS PROPRIETARY TO MOLEX INCORPORATED AND SHOULD NOT BE USED WITHOUT WRITTEN PERMISSION					SHEET NO. 1 OF 2	



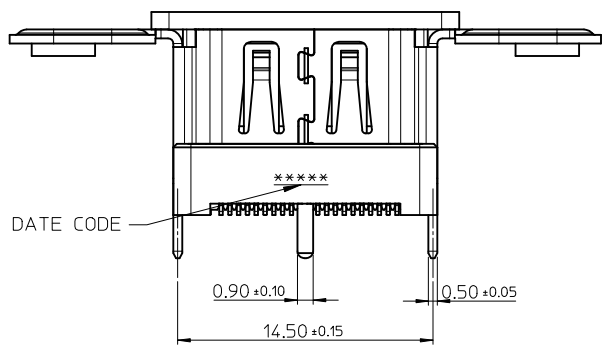
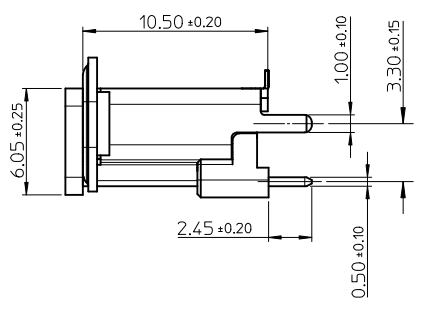
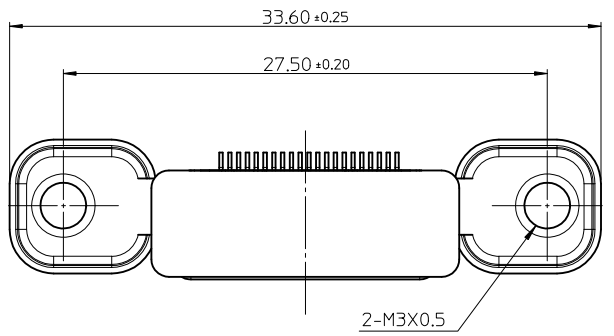
RECOMMENDED PCB LAYOUT  
THICKNESS IS 1.60MM

REVISED EC NO: SH2009-0591 DRW:KWEI CHK:RZHANG APPR:HWANG	2009/05/20 2009/05/20 2009/07/07	DESCRIPTION REV	QUALITY SYMBOLS	GENERAL TOLERANCES (UNLESS SPECIFIED)	DIMENSION STYLE	SCALE	DESIGN UNITS	THIRD ANGLE PROJECTION
			▽=0 □=0	mm      INCH 4 PLACES ± --- ± --- 3 PLACES ± --- ± --- 2 PLACES ± 0.25 ± --- 1 PLACE ± 0.25 ± --- ANGULAR ± ---°	MM ONLY	4:1	METRIC	
				DRAFT WHERE APPLICABLE MUST REMAIN WITHIN DIMENSIONS	DRAWN BY: RZHANG      DATE: 2008/08/12 CHECKED BY: RZHANG      DATE: 2008/08/12 APPROVED BY: HWANG      DATE: 2008/08/12	TITLE	SALES DRAWING VERTICAL HDMI RECEPT. WITHOUT SUPPORT	
					MATERIAL NO.      SEE SHEET 1 SIZE: A3      THIS DRAWING CONTAINS INFORMATION THAT IS PROPRIETARY TO MOLEX INCORPORATED AND SHOULD NOT BE USED WITHOUT WRITTEN PERMISSION	MOLEX INCORPORATED DOCUMENT NO.      SD-48307-822 SHEET NO.      2 OF 2		



NOTES:

1. MATERIAL:  
 HOUSING: GLASS FILLED HEAT RESISTED RESIN, UL94V-0.  
 TERMINAL: COPPER ALLOY.  
 SHELL: COPPER ALLOY.  
 CAP: GLASS FILLED HEAT RESISTED RESIN, UL94V-0.
2. PLATING:  
 TERMINAL:  
 CONTACT AREA: GOLD FLASH PLATING,  
 SOLDER AREA: 1 MICROMETER MIN. MATTE TIN PLATING,  
 UNDERPLATE: 1 MICROMETER MIN. NICKEL PLATING OVERALL.  
 SHELL:  
 SOLDER AREA: 1 MICROMETER MIN. MATTE TIN PLATING,  
 UNDERPLATE: 1 MICROMETER MIN. NICKEL PLATING OVERALL.
3. PRODUCT SPECIFICATION REFER TO PS-48307-901.
4. PACKAGE REFER TO PK-48307-822.
5. COPLANARITY OF SOLDER TAIL TO BE 0.1 MAX..
6. THE PART CAN COMPLIANT TO ROHS DIRECTIVE 2002/95/EC AND ELV DIRECTIVE 2000/53/EC.



48307-8022	6T+STRUCTURE 2
48307-8012	LCP+STRUCTURE 1
PART NUMBER	CAP SOLUTION

REVISED EC NO: SH2010-0272 DRWN: CWEL CHKD: RZHANG APPR: XJ.SONG	2010/01/19 2010/01/20 2010/01/25	DESCRIPTION REV	QUALITY SYMBOLS	GENERAL TOLERANCES (UNLESS SPECIFIED) 4 PLACES ± --- ± --- 3 PLACES ± --- ± --- 2 PLACES ± --- ± --- 1 PLACE ± --- ± --- ANGULAR ± --- °	DIMENSION STYLE	SCALE	DESIGN UNITS	THIRD ANGLE PROJECTION	
					MM ONLY	3.5:1	METRIC		
					DRAWN BY	DATE	TITLE	SALES DRAWING VERTICAL HDMI RECEPT. WITHOUT SUPPORT	
					RZHANG	2008/08/12			
	CHECKED BY	DATE		MOLEX INCORPORATED DOCUMENT NO. SD-48307-822 SHEET NO. 1 OF 2					
	RZHANG	2008/08/12							
	APPROVED BY	DATE		THIS DRAWING CONTAINS INFORMATION THAT IS PROPRIETARY TO MOLEX INCORPORATED AND SHOULD NOT BE USED WITHOUT WRITTEN PERMISSION					
	HWWANG	2008/08/12							
	MATERIAL NO.								
	48307-80*2								

10 9 8 7 6 5 4 3 2 1

F F

E E

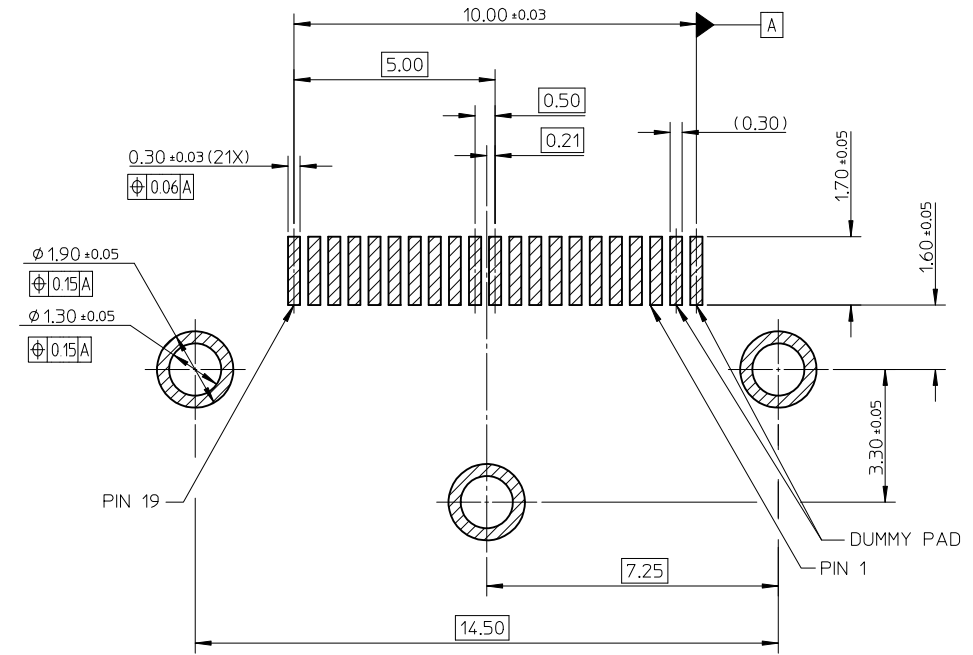
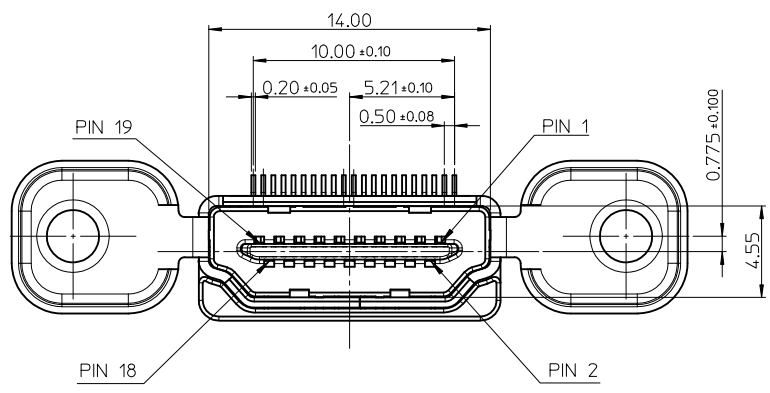
D D

C C

B B

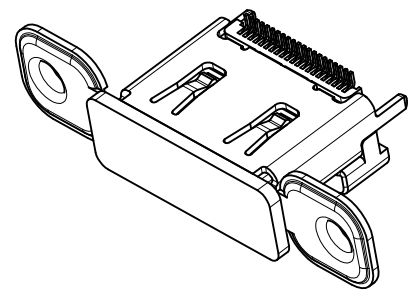
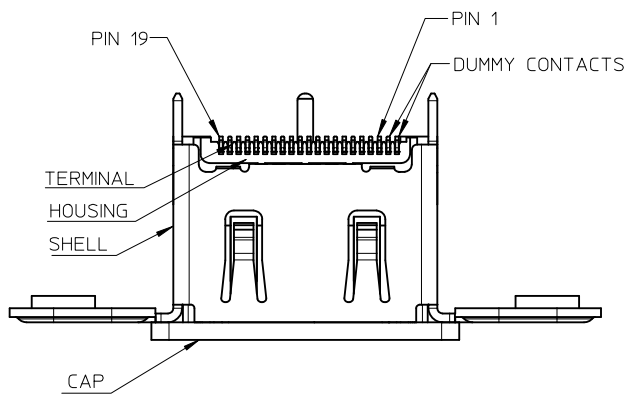
A A

9 8 7 6 5 4 3 2 1



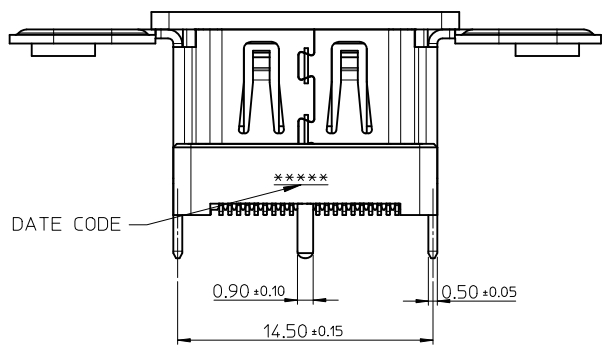
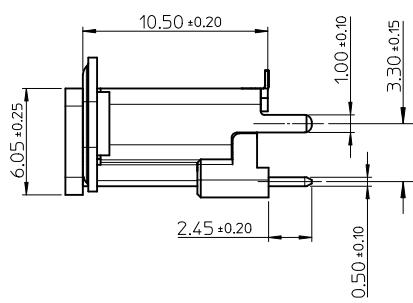
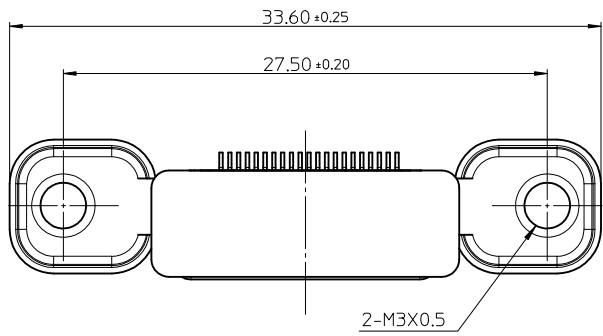
RECOMMENDED PCB LAYOUT  
THICKNESS IS 1.60MM

REVISED EC NO: SH2010-0272 DRW: KWWEI CHK: RZHANG APPR: XJSONG	DESCRIPTION REV	QUALITY SYMBOLS	GENERAL TOLERANCES (UNLESS SPECIFIED)	DIMENSION STYLE	SCALE	DESIGN UNITS	THIRD ANGLE PROJECTION		
		▼=0 ∇=0	mm INCH	MM ONLY	4:1	METRIC			
			4 PLACES ± --- ± --- 3 PLACES ± --- ± --- 2 PLACES ± --- ± --- 1 PLACE ± --- ± ---	DRAWN BY DATE RZHANG 2008/08/12	CHECKED BY DATE RZHANG 2008/08/12	APPROVED BY DATE HWWANG 2008/08/12	TITLE SALES DRAWING VERTICAL HDMI RECEPT. WITHOUT SUPPORT		
		ANGULAR ± --- °	MATERIAL NO. 9999999999	MOLEX INCORPORATED		DOCUMENT NO. SD-48307-822	SHEET NO. 2 OF 2		
		DRAFT WHERE APPLICABLE MUST REMAIN WITHIN DIMENSIONS	SIZE A3	THIS DRAWING CONTAINS INFORMATION THAT IS PROPRIETARY TO MOLEX INCORPORATED AND SHOULD NOT BE USED WITHOUT WRITTEN PERMISSION					



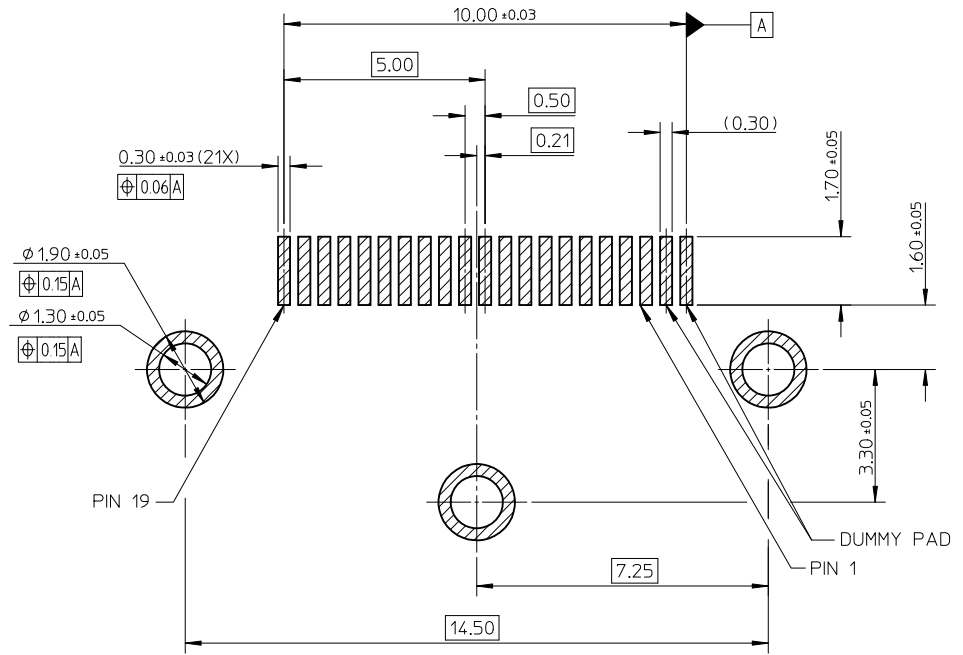
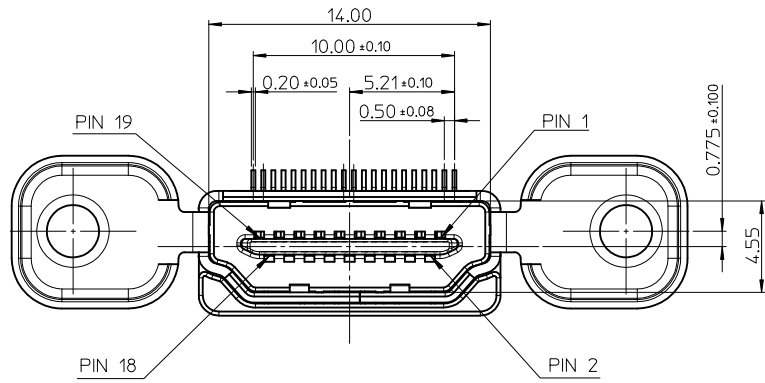
NOTES:

1. MATERIAL:
  - HOUSING: GLASS FILLED HEAT RESISTED RESIN, UL94V-0.
  - TERMINAL: COPPER ALLOY.
  - SHELL: COPPER ALLOY.
  - CAP: GLASS FILLED HEAT RESISTED RESIN, UL94V-0.
2. PLATING:
  - TERMINAL:
    - CONTACT AREA: GOLD FLASH PLATING,
    - SOLDER AREA: 1 MICROMETER MIN. MATTE TIN PLATING,
    - UNDERPLATE: 1 MICROMETER MIN. NICKEL PLATING OVERALL.
  - SHELL:
    - SOLDER AREA: 1 MICROMETER MIN. MATTE TIN PLATING,
    - UNDERPLATE: 1 MICROMETER MIN. NICKEL PLATING OVERALL.
3. PRODUCT SPECIFICATION REFER TO PS-48307-901.
4. PACKAGE REFER TO PK-48307-822.
5. COPLANARITY OF SOLDER TAIL TO BE 0.1 MAX..
6. THE PART CAN COMPLIANT TO ROHS DIRECTIVE 2002/95/EC AND ELV DIRECTIVE 2000/53/EC.



48307-8022	6T+STRUCTURE 2
48307-8012	LCP+STRUCTURE 1
PART NUMBER	CAP SOLUTION

REVISED EC NO: SH2010-0272 DRWN: KCWEI CHKD: RZHANG APPR: XJ.SONG	2010/01/19 2010/01/20 2010/01/25	DESCRIPTION REV	QUALITY SYMBOLS	GENERAL TOLERANCES (UNLESS SPECIFIED) 4 PLACES ± --- ± --- 3 PLACES ± --- ± --- 2 PLACES ± --- ± --- 1 PLACE ± --- ± --- ANGULAR ± --- ° DRAFT WHERE APPLICABLE MUST REMAIN WITHIN DIMENSIONS	DIMENSION STYLE	SCALE	DESIGN UNITS	THIRD ANGLE PROJECTION	
					MM ONLY	3.5:1	METRIC		
					DRAWN BY	DATE	TITLE		
					RZHANG	2008/08/12	SALES DRAWING VERTICAL HDMI RECEPT. WITHOUT SUPPORT		
					CHECKED BY	DATE	MOLEX INCORPORATED		
					RZHANG	2008/08/12	DOCUMENT NO. SD-48307-822		
					APPROVED BY	DATE	SHEET NO. 1 OF 2		
					HWWANG	2008/08/12	THIS DRAWING CONTAINS INFORMATION THAT IS PROPRIETARY TO MOLEX INCORPORATED AND SHOULD NOT BE USED WITHOUT WRITTEN PERMISSION		
					MATERIAL NO.	48307-80*2			



RECOMMENDED PCB LAYOUT  
THICKNESS IS 1.60MM

REVISED EC NO: SH2010-0272 DRW: KWWEI CHK: RZHANG APPR: XJSONG	DESCRIPTION REV	QUALITY SYMBOLS	GENERAL TOLERANCES (UNLESS SPECIFIED)	DIMENSION STYLE	SCALE	DESIGN UNITS	THIRD ANGLE PROJECTION																		
		$\nabla=0$ $\sphericalangle=0$	<table border="1"> <tr> <th></th> <th>mm</th> <th>INCH</th> </tr> <tr> <td>4 PLACES</td> <td>± ---</td> <td>± ---</td> </tr> <tr> <td>3 PLACES</td> <td>± ---</td> <td>± ---</td> </tr> <tr> <td>2 PLACES</td> <td>± ---</td> <td>± ---</td> </tr> <tr> <td>1 PLACE</td> <td>± ---</td> <td>± ---</td> </tr> </table>		mm	INCH	4 PLACES	± ---	± ---	3 PLACES	± ---	± ---	2 PLACES	± ---	± ---	1 PLACE	± ---	± ---	MM ONLY	4:1	METRIC				
			mm	INCH																					
		4 PLACES	± ---	± ---																					
3 PLACES	± ---	± ---																							
2 PLACES	± ---	± ---																							
1 PLACE	± ---	± ---																							
DRAFT WHERE APPLICABLE MUST REMAIN WITHIN DIMENSIONS	<table border="1"> <tr> <th>DRAWN BY</th> <th>DATE</th> <th>TITLE</th> </tr> <tr> <td>RZHANG</td> <td>2008/08/12</td> <td rowspan="4">SALES DRAWING VERTICAL HDMI RECEPT. WITHOUT SUPPORT  MOLEX INCORPORATED</td> </tr> <tr> <th>CHECKED BY</th> <th>DATE</th> </tr> <tr> <td>RZHANG</td> <td>2008/08/12</td> </tr> <tr> <th>APPROVED BY</th> <th>DATE</th> </tr> <tr> <td>HWWANG</td> <td>2008/08/12</td> <td>DOCUMENT NO.</td> </tr> <tr> <td>MATERIAL NO.</td> <td>9999999999</td> <td>SD-48307-822</td> <td>SHEET NO. 2 OF 2</td> </tr> </table>	DRAWN BY	DATE	TITLE	RZHANG	2008/08/12	SALES DRAWING VERTICAL HDMI RECEPT. WITHOUT SUPPORT  MOLEX INCORPORATED	CHECKED BY	DATE	RZHANG	2008/08/12	APPROVED BY	DATE	HWWANG	2008/08/12	DOCUMENT NO.	MATERIAL NO.	9999999999	SD-48307-822	SHEET NO. 2 OF 2	<table border="1"> <tr> <th>SIZE</th> <th>THIS DRAWING CONTAINS INFORMATION THAT IS PROPRIETARY TO MOLEX INCORPORATED AND SHOULD NOT BE USED WITHOUT WRITTEN PERMISSION</th> </tr> <tr> <td>A3</td> <td></td> </tr> </table>	SIZE	THIS DRAWING CONTAINS INFORMATION THAT IS PROPRIETARY TO MOLEX INCORPORATED AND SHOULD NOT BE USED WITHOUT WRITTEN PERMISSION	A3	
DRAWN BY	DATE	TITLE																							
RZHANG	2008/08/12	SALES DRAWING VERTICAL HDMI RECEPT. WITHOUT SUPPORT  MOLEX INCORPORATED																							
CHECKED BY	DATE																								
RZHANG	2008/08/12																								
APPROVED BY	DATE																								
HWWANG	2008/08/12	DOCUMENT NO.																							
MATERIAL NO.	9999999999	SD-48307-822	SHEET NO. 2 OF 2																						
SIZE	THIS DRAWING CONTAINS INFORMATION THAT IS PROPRIETARY TO MOLEX INCORPORATED AND SHOULD NOT BE USED WITHOUT WRITTEN PERMISSION																								
A3																									