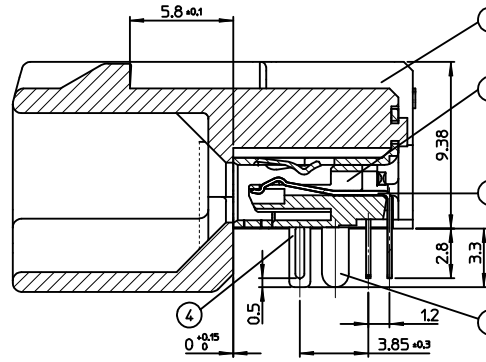
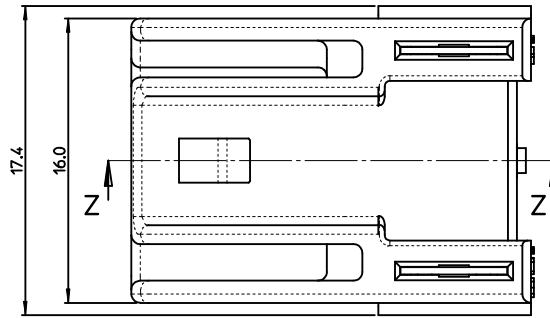
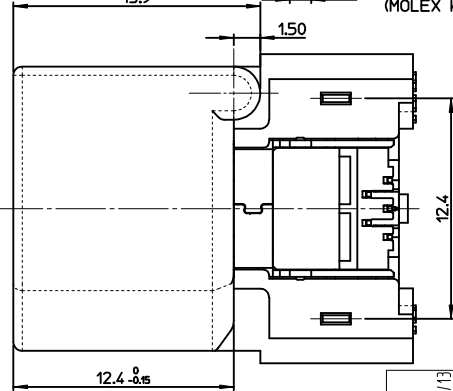
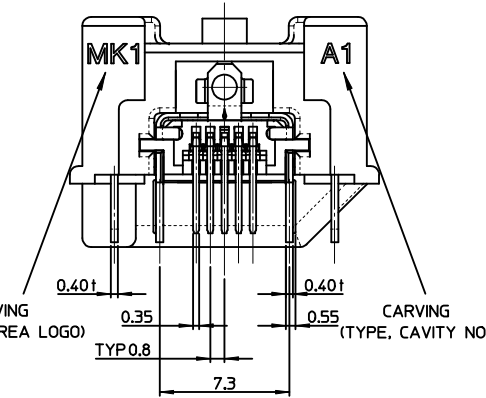
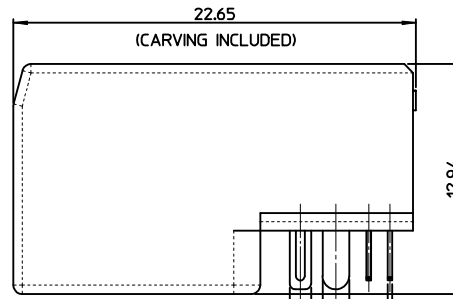
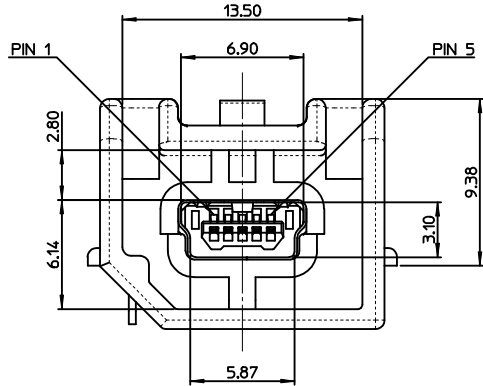


ISOMETRIC VIEW



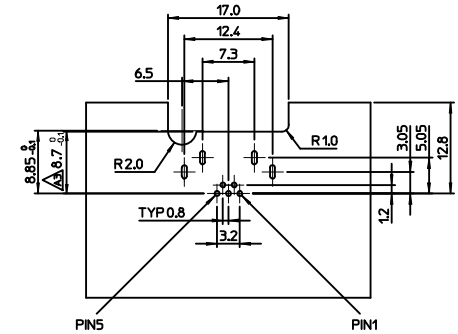
SECTION Z-Z



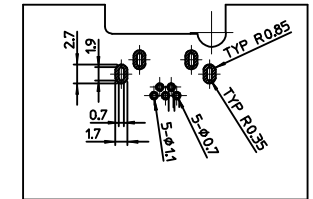
<PART LIST>

NO.	PART NAME	MATERIALS
①	SHROUD	LCP, glass-filled, UL94 V-0
②	REC. HOUSING	LCP, glass-filled, UL94 V-0
③	TERMINAL	COPPER ALLOY
④	SHIELD CASE	PHOSPHOR BRONZE
⑤	FITTING NAIL	BRASS

RECOMMENDED PCB LAYOUT
- TYPE 'A'
(TOP VIEW, COMPONENT SIDE)



(BOTTOM VIEW, SOLDER SIDE)



- NOTE
- MATES WITH :
(MOLEX SERIES NO. - 111014, 111015, 111005, 111041, 111019, 111020)
 - SHROUD GEOMETRY AND ASSEMBLY WITH USB MINI-B CONNECTOR ARE ACCORDING TO USCAR STD 999-U-USB-Z01
 - FINISHES
 - TERMINAL :
CONTACT AREA : GOLD 0.75μm MIN.
SOLDER TAIL AREA : TIN 3.8μm MIN.
UNDER PLATING : NI 1.25μm MIN.
 - SHIELD CASE :
3.0μm MIN. TIN OVER NI 1.0μm MIN.
 - FITTING NAIL :
3.0μm MIN. TIN OVER NI 1.0μm MIN.
 - UNLESS OTHERWISE SPECIFIED, TYPICAL RECOMMENDED PCB MANUFACTURING TOLERANCE IS ±0.05
 - PACKAGING IS TRAY :
(48 PCS/TRAY, 5 TRAY/TRAY BOX, 240 PCS/TRAY BOX, 960 PCS/CARTON BOX)
 - PRODUCT SPECIFICATION : PS-49616-001
 - PACKAGING INFORMATION : PK-49616-001
 - PCB THICKNESS : 1.6mm(REFERENCE)

勝特力電材超市-龍山店 886-3-5773766
 勝特力電材超市-光復店 886-3-5729570
 勝特力電子(上海) 86-21-34970699
 勝特力電子(深圳) 86-755-83298787
<http://www.100y.com.tw>

<TABLE 1>

MATERIAL NO.	ORDER NO.	COLOR
496160711	49616-0711	BLACK

REVISED	EC NO: KTR2013-0025	2013/02/13
	DRW:NHMOON	2013/02/13
	CHKD:BCYOON	2013/02/14
	APPR:JYCHOI	2013/02/14
REV	A3	

QUALITY SYMBOLS	GENERAL TOLERANCES (UNLESS SPECIFIED)	
	mm	INCH
▽=0	4 PLACES ±---	±---
▽=0	3 PLACES ±---	±---
	2 PLACES ±0.15	±---
	1 PLACE ±0.25	±---
	ANGULAR ± 3°	
DRAFT WHERE APPLICABLE MUST REMAIN WITHIN DIMENSIONS		

DIMENSION STYLE		SCALE	DESIGN UNITS	THIRD ANGLE PROJECTION
MM ONLY		5:1	METRIC	◎ □
DRAWN BY	DATE	TITLE		
HTSONG	2008/04/25	HSAUTOLINK R/A HEADER TYPE-A		
CHECKED BY	DATE			
BCYOON	2008/04/25			
APPROVED BY	DATE			
EHJUNG	2008/04/25			
MATERIAL NO.		DOCUMENT NO.		
SEE TABLE1		SD-49616-001		
SIZE	THIS DRAWING CONTAINS INFORMATION THAT IS PROPRIETARY TO MOLEX INCORPORATED AND SHOULD NOT BE USED WITHOUT WRITTEN PERMISSION			
A2				

MOLEX INCORPORATED		SHEET NO.
		1 OF 1



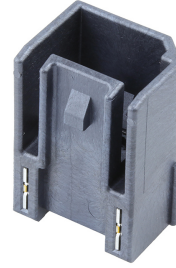
产品编号 : [496160711](#)

Product Description : 0.80mm Pitch
HSAutoLink Right-Angle Header, Through
Hole, 5 Circuit, Type A, Black USB

系列号 : 49616

状态 : Active

Product Category : PCB Headers and
Receptacles



文件和资源

图纸

[图纸 496160711_sd.pdf](#)

3D 模型和设计文件

[3D模型 496160711_stp.zip](#)

规格

[包装规格 PK-49616-001-001.pdf](#)

[产品规格 PS-49616-001-001.pdf](#)

产物环境合规

合规

GADSL/IMDS	Compliant with Exemption 44; 34; 33
China RoHS	
EU ELV	Compliant per 2000/53/EC
Low-Halogen Status	Low-Halogen per IEC 61249-2-21
REACH SVHC	Not Contained per D(2023)3788-DC (14 Jun 2023)
EU RoHS	Compliant per EU 2015/863

多部分产品合规性声明

- Eu RoHS
- REACH SVHC
- Low-Halogen

多部分行业合规性文件

- IPC 1752A Class C

- IPC 1752A Class D
- Molex Product Compliance Declaration
- IEC-62474
- chemSHERPA (xml)

欧盟 RoHS 合格证书

产品详情

常规

状态	活动
类别	PCB Headers and Receptacles
系列	49616
说明	0.80mm Pitch HSAutoLink Right-Angle Header, Through Hole, 5 Circuit, Type A, Black USB
应用	Automotive, Signal, Wire-to-Board
评论	Higher current rating achievable, please contact PM for additional technical information.
元件类型	PCB Header
产品系列	HSAutoLink Interconnect Systems
产品名称	HSAutoLink
UPC	883906124670

电气

每触点最大电流	1.0A
电压 - 最大	5V (RMS)

物理

断开	否
回路数 (已载入)	5
电路数 (最多)	5
颜色-树脂	黑色
耐用性(插拔次数) - 最多次数	25
先接后断	否
符合灼热丝规范	否
可配插产品指南	否
插接极性	无

锁定插接部位	是
材料 - 金属	Copper Alloy
材料 - 接合部位电镀	金牌
材料 - 终端电镀	Tin
材料 - 树脂	High Temperature Thermoplastic
净重	3713.790/mg
行数	1
方向	Right Angle
包装形式	Tray
PCB 定位器	是
PCB 保持力	是
推荐的 PCB 厚度	1.60mm
间距 - 插配接口	0.80mm
间距 - 终端界面	0.80mm
最薄镀层 - 接合部位	0.762 μ m
最薄镀层 - 端接	3.810 μ m
有极性的插配件	是
PCB 极性	是
有护墙的	否
可堆叠的	否
运行温度范围	-40° to +85° C
终端界面类型	Through Hole

可配插/可连接使用的产品

可配插部件

描述	产品编号
HSAutoLink Cable Assemblies	<u>111005</u>
HSAutoLink Cable Assemblies	<u>111014</u>
HSAutoLink Cable Assemblies	<u>111015</u>
HSAutoLink Cable Assemblies	<u>111019</u>
HSAutoLink Cable Assemblies	<u>111041</u>

This document was generated on Dec 11, 2023