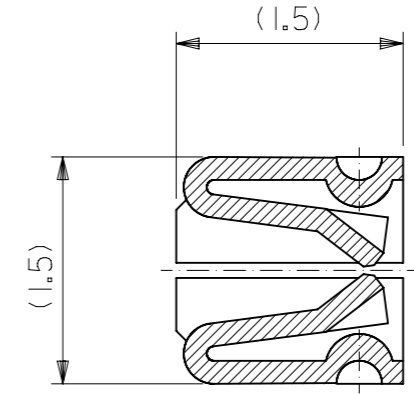
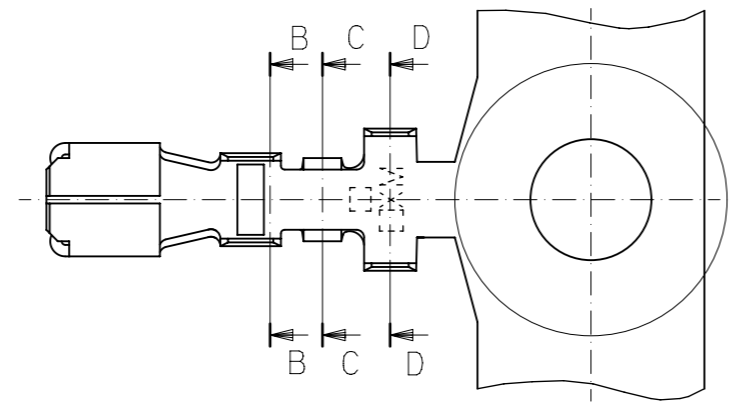
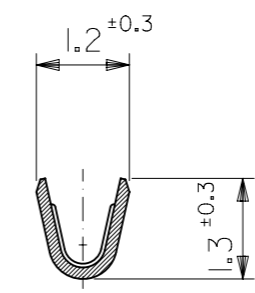
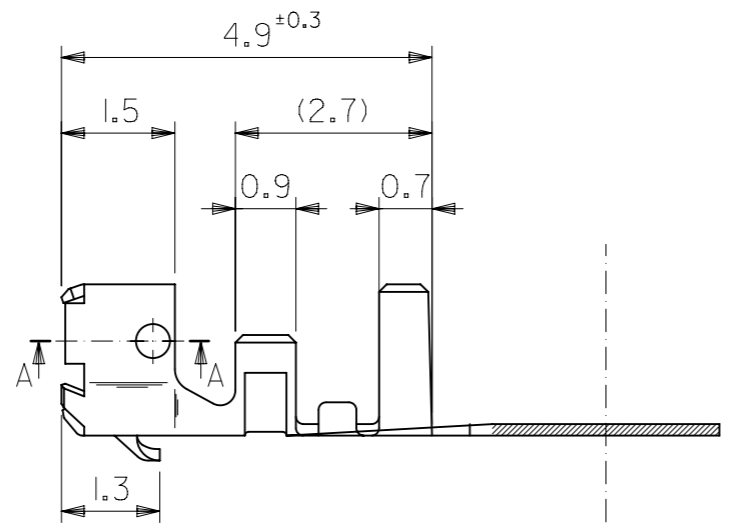
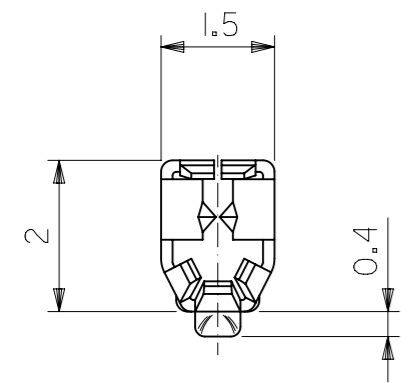


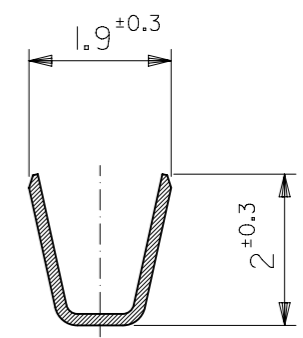
勝特力電材超市-龍山店 886-3-5773766  
 勝特力電材超市-光復店 886-3-5729570  
 勝特力電子(上海) 86-21-34970699  
 勝特力電子(深圳) 86-755-83298787  
<http://www.100y.com.tw>



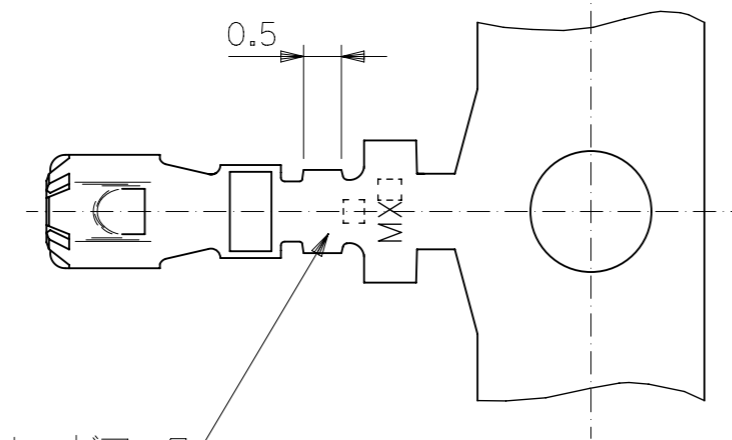
SECT.A-A  
(SCALE 20:1)



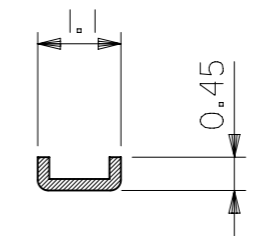
SECT.B-B



SECT.D-D



トレードマーク  
 TRADE MARK



SECT.C-C

注記  
 NOTE

1. 適用ハウジング : 51004, 51049 シリーズ  
 APPLICABLE HOUSING : 51004, 51049 SERIES

材料 MATERIAL	リン青銅 錫メッキ (t=0.15) PHOS.BRO. PRE-TINNED (t=0.15)
仕上げ FINISH	—#—
適用電線範囲 WIRE RANGE	AWG #24~#30
被覆外径 INS. RANGE	φ0.8~φ1.4

角度 ANGLE	±3°
30 以上 OVER	±0.3
10 以上 30 未満 UNDER	±0.25
10 未満 UNDER	±0.2
一般公差 GENERAL TOLERANCES	

THIS DRAWING CONTAINS INFORMATION THAT IS PROPRIETARY TO MOLEX ELECTRONIC TECHNOLOGIES, LLC AND SHOULD NOT BE USED WITHOUT WRITTEN PERMISSION		CURRENT REV DESC:		<b>molex</b> 2.0 LOW PROFILE CRIMP REC	
DIMENSION UNITS	SCALE	EC NO: 624461			
mm	10:1	DRWN: AKUMAR19 2019/01/29		DOCUMENT NUMBER	
GENERAL TOLERANCES (UNLESS SPECIFIED)		CHK'D: GGA 2019/10/17		DOC TYPE DOC PART REVISION	
		APPR: GGA 2019/10/17		SD-50011-8X00	
		INITIAL REVISION:		PSD 001 J	
		DRWN: T.YASUI 1995/08/21		MATERIAL NUMBER	
		APPR: M.FUKUSHIMA 1995/08/22		CUSTOMER	
DRAFT WHERE APPLICABLE MUST REMAIN WITHIN DIMENSIONS		THIRD ANGLE PROJECTION	DRAWING	SERIES	SHEET NUMBER
			A3-SIZE	50011	1 OF 1



产品编号 : [500118000](#)

Product Description : 2.00mm Pitch  
MicroBlade Wire-to-Wire Crimp Terminal,  
Female, 24-30 AWG, Reel

系列号 : 50011

状态 : New Business Not Supported

Product Category : Crimp Terminals



---

## 文件和资源

### 模具规格

压接规格 [CS-50011-8X00-001.pdf](#)

---

## 产物环境合规

### 合规

GADSL/IMDS	Compliant with Exemption 44
China RoHS	
EU ELV	Not Relevant
Low-Halogen Status	Low-Halogen per IEC 61249-2-21
REACH SVHC	Not Contained per D(2023)3788-DC (14 Jun 2023)
EU RoHS	Compliant per EU 2015/863

### 多部分产品合规性声明

- Eu RoHS
- REACH SVHC
- Low-Halogen

### 多部分行业合规性文件

- IPC 1752A Class C
- IPC 1752A Class D
- Molex Product Compliance Declaration
- IEC-62474
- chemSHERPA (xml)

### 欧盟 RoHS 合格证书

---

## 产品详情

常规

状态	New Business Not Supported
类别	Crimp Terminals
系列	50011
说明	2.00mm Pitch MicroBlade Wire-to-Wire Crimp Terminal, Female, 24-30 AWG, Reel
应用	Signal
个评论	Replacement part is not a drop in replacement. All of related parts, crimp terminal/50011, housing/51004 and header/53014 & 53015, need to be replaced to Micro-Latch series (50212 /terminal, 51065/housing, 53253/ST header and 53254/RA header).
产品名称	MicroBlade
UPC	800753576544

电气

每触点最大电流	2.0A
电压 - 最大	125V

物理

性别	女
材料 - 金属	Phosphor Bronze
材料 - 接合部位电镀	Tin
材料 - 终端电镀	Tin
净重	0.080/g
包装形式	Reel
终端界面类型	Crimp or Compression
导线绝缘直径	0.80-1.40mm
线径规格 (AWG)	24, 26, 28, 30
线缆尺寸mm <sup>2</sup>	不适用

施工工具

全局

描述	产品编号
Extraction Tool for Micro-Fit Terminals	<u>0011030043</u>
Hand Crimp Tool for Milli-Grid and MicroBlade Crimp Terminals, 24-30 AWG	<u>2133091200</u>
FineAdjust Applicator for 2.00mm Pitch Wire-to-Wire Terminal, 24-30 AWG Wire	<u>0639003800</u>
T2 Terminator Die, 24-30 AWG	<u>0639103800</u>

## 施工工具

### 日本

描述	产品编号
Extraction Tool	<u>0571056000</u>