



产品编号 : 500388000

系列号 : 50038

Product Category : Crimp Terminals

Product Description : 2.50mm Pitch Mizu-P25 Crimp Terminal, 50038, Reel

状态 : Active

Packaging Alternative : 500388100 (Bag)

文件和资源

图纸

图纸 500388000_sd.pdf

规格

应用规格 AS-50038-001-001.pdf


包装规格 500380000-P00.pdf

产品规格 PS-52117-008-001.pdf

产品规格 PS-52048-001-001.pdf

产物环境合规

合规

| | |
|--------------------|---|
| GADSL/IMDS | Compliant with Exemption 44 |
| China RoHS |  |
| EU ELV | Compliant per 2000/53/EC |
| Low-Halogen Status | Low-Halogen per IEC 61249-2-21 |
| REACH SVHC | Not Contained per D(2023)8585-DC (23 Jan 2024) |
| EU RoHS | Compliant per EU 2015/863 |

多部分产品合规性声明

- Eu RoHS
- REACH SVHC
- Low-Halogen

- IPC 1752A Class C
- IPC 1752A Class D
- Molex Product Compliance Declaration
- IEC-62474
- chemSHERPA (xml)

欧盟 RoHS 合格证书

产品详情

常规

| | |
|------|---|
| 状态 | 活动 |
| 类别 | Crimp Terminals |
| 系列 | 50038 |
| 说明 | 2.50mm Pitch Mizu-P25 Crimp Terminal, 50038, Reel |
| 应用 | Signal, Wire-to-Wire |
| 产品系列 | Mizu Sealed Connectors |
| 产品名称 | Mizu-P25 Waterproof |
| UPC | 800754368643 |

电气

| | |
|---------|------|
| 电压 - 最大 | 250V |
|---------|------|

物理

| | |
|---------------------|----------------------|
| 性别 | 男 |
| 材料 - 金属 | Phosphor Bronze |
| 材料 - 接合部位电镀 | Tin |
| 材料 - 终端电镀 | Tin |
| 净重 | 58.900/mg |
| 包装形式 | Reel |
| 最薄镀层 - 接合部位 | 0.889µm |
| 最薄镀层 - 端接 | 0.914µm |
| 终端界面类型 | Crimp or Compression |
| 导线绝缘直径 | 1.80-1.90mm |
| 线径规格 (AWG) | 20, 22 |
| 线缆尺寸mm ² | 不适用 |

进程

| | |
|----|-----|
| 无铅 | 不适用 |
|----|-----|

可连接使用部件

| | |
|----|------|
| 描述 | 产品编号 |
|----|------|

| | |
|-----------------------------------|--------------|
| Mizu-P25 Waterproof Plug Housings | <u>52116</u> |
|-----------------------------------|--------------|

施工工具

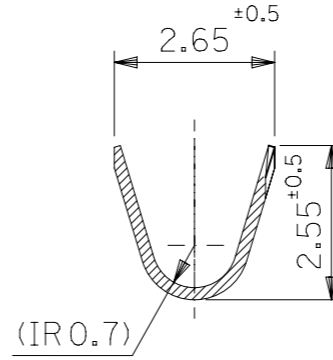
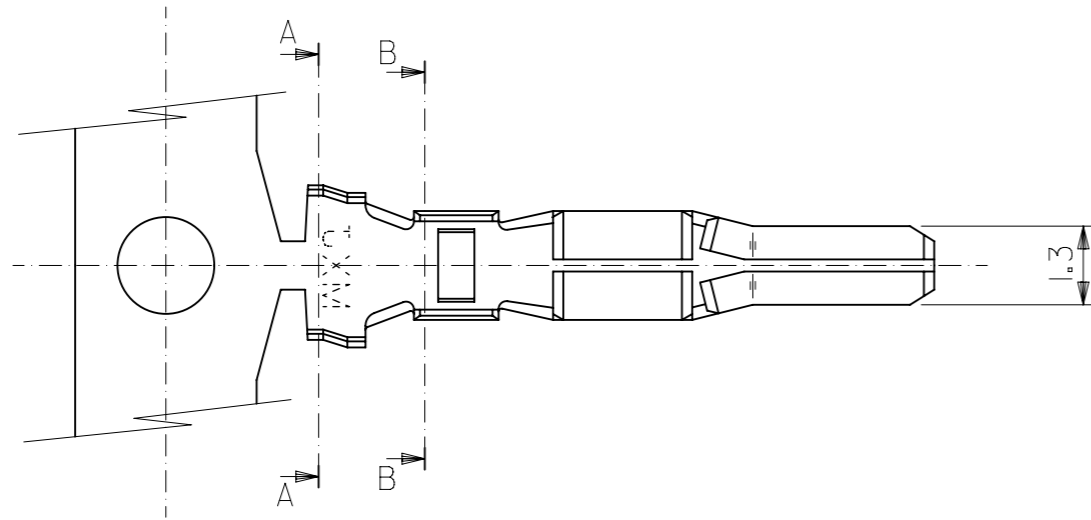
全局

| 描述 | 产品编号 |
|---|------------------|
| Extraction and Activation Tool | <u>638132700</u> |
| PremiumGrade Hand Crimp Tool for Mizu-P25 Splash Proof Crimp Terminals | <u>638233900</u> |
| FineAdjust Applicator for 2.50mm Pitch Splash Proof Crimp Terminal, 20-22 AWG | <u>639000100</u> |
| T2 Terminator Tooling Die for 2.50mm Pitch Splash Proof Crimp Terminal, 20-22 AWG | <u>639100100</u> |

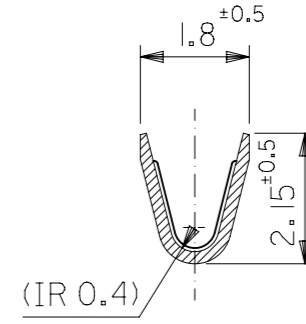
施工工具

日本

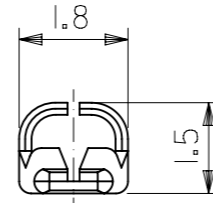
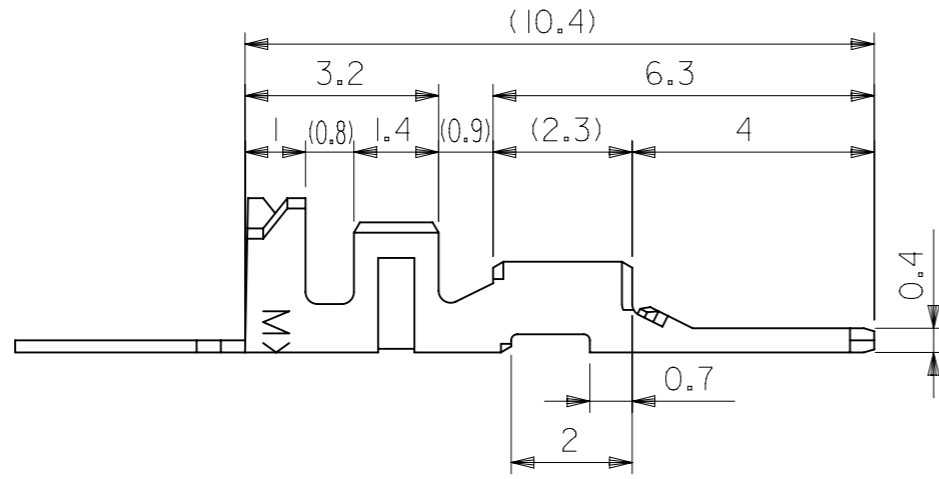
| 描述 | 产品编号 |
|---|------------------|
| S-1 Applicator for Mizu-P25 Standard Waterproof Terminals | <u>570843700</u> |



断面 A-A
SECT.A-A



断面 B-B
SECT.B-B



注記
NOTICE

1. 適合ハウジングアッセンブリ:

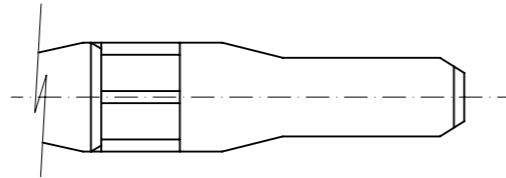
- 52116-02**
- 52116-03**
- 52116-04**

1. APPLICABLE HOUSING ASSEMBLY:

- 52116-02**
- 52116-03**
- 52116-04**

2. 嵌合相手: 50039-8*00

2. MATE: 50039-8*00



| | |
|--------------|--------------|
| 50038-8100 | バラ状 LOOSE |
| 50038-8000 | 連鎖状 CHAIN |
| MATERIAL NO. | 形状 FORM |

| | |
|----------------------|---|
| 材料 MATERIAL | リン青銅 錫メッキ (+0.2) PHOSPHOR BRONZE TIN PLATING (+0.2) |
| 適用電線範囲 WIRE RANGE | AVS-0.3/0.3F AVSS-0.3/0.3F AVSS-0.5/0.5F CAVS-0.3 CAVS-0.5 ISO-0.5 AWG #22/#20 |
| 被覆外径 INS. RANGE | φ1.4-1.9 |

INITIAL REVISION:

| | | |
|-------|-----------|------------|
| DRWN | M.ASAOKA | 1996/06/10 |
| CHECK | M.SAKANO | 1996/06/10 |
| APPR | M.ENOMOTO | 2012/02/03 |

| GENERAL TOLERANCES (UNLESS SPECIFIED) | |
|---------------------------------------|-------|
| 10 UNDER | ±0.2 |
| 10 OVER 30 UNDER | ±0.25 |
| 30 OVER | ±0.3 |
| ANGULAR ±3° | |

| | | | | | |
|---|-------|-----------------------------|--|----------------------------------|--|
| THIS DRAWING CONTAINS INFORMATION THAT IS PROPRIETARY TO MOLEX ELECTRONIC TECHNOLOGIES, LLC AND SHOULD NOT BE USED WITHOUT WRITTEN PERMISSION | | CURRENT REV DESC: | | molex | |
| DIMENSION UNITS | SCALE | EC NO: 629483 | | | |
| mm | 8:1 | DRWN: MSATO08 2019/12/18 | | 2.5 WATERPROOF CONN CRIMP PIN | |
| GENERAL TOLERANCES (UNLESS SPECIFIED) | | CHK'D: HIJIMA 2019/12/20 | | PRODUCT CUSTOMER DRAWING | |
| ANGULAR TOL ± 3.0° | | APPR: TOSADA 2019/12/20 | | DOCUMENT NUMBER | |
| 4 PLACES ± 0.2 | | INITIAL REVISION: | | SD-50038-001 | |
| 3 PLACES ± 0.25 | | DRWN: SINAOKA 2012/02/02 | | DOC TYPE | |
| 2 PLACES ± 0.3 | | APPR: MAYAMAMOTO 2012/02/03 | | DOC PART | |
| 1 PLACE ± | | THIRD ANGLE PROJECTION | | REVISION | |
| 0 PLACES ± | | DRAWING | | 001 E2 | |
| DRAFT WHERE APPLICABLE MUST REMAIN WITHIN DIMENSIONS | | SERIES | | MATERIAL NUMBER | |
| | | A3-SIZE | | 50038 | |
| | | CUSTOMER | | GENERAL MARKET | |
| | | SHEET NUMBER | | 1 OF 1 | |

| | | | | |
|-----------------|----|--------------|------------|----------|
| DOCUMENT STATUS | P1 | RELEASE DATE | 2019/12/20 | 08:34:20 |
|-----------------|----|--------------|------------|----------|