



产品编号 : 5005920400

系列号 : 500592

Product Category : Connector Housings

Product Description : 2.50mm Pitch CP-2.5
Mini Wire-to-Wire Receptacle Housing,
Positive Lock, Single Row, 4 circuits

状态 : Active

文件和资源

图纸

图纸 5005920400_sd.pdf

3D 模型和设计文件

3D模型 5005920400_stp.zip


规格

包装规格 5005929200-200.pdf

产品规格 PS-500592-001-001.pdf

产物环境合规

合规

GADSL/IMDS	Not Relevant
China RoHS	
EU ELV	Not Relevant
Low-Halogen Status	Not Low-Halogen per IEC 61249-2-21
REACH SVHC	Not Contained per D(2023)8585-DC (23 Jan 2024)
EU RoHS	Compliant per EU 2015/863

多部分产品合规性声明

- Eu RoHS
- REACH SVHC
- Low-Halogen

- IPC 1752A Class C
- IPC 1752A Class D
- Molex Product Compliance Declaration
- IEC-62474
- chemSHERPA (xml)

产品详情

常规

状态	活动
类别	Connector Housings
系列	500592
说明	2.50mm Pitch CP-2.5 Mini Wire-to-Wire Receptacle Housing, Positive Lock, Single Row, 4 circuits
应用	Signal, Wire-to-Wire
产品系列	CP Wire-to-Board and Wire-to-Wire Connector Systems
产品名称	CP-2.5 Mini
UPC	756054724958

物理

电路数（最多）	4
颜色-树脂	Natural
性别	Receptacle
符合灼热丝规范	否
材料 - 树脂	Polyester
净重	1033.500/mg
行数	1
包装形式	Bag
面板安装式	否
间距 - 插配接口	2.50mm
运行温度范围	-40° to +85° C

可配插/可连接使用的产品

可配插部件

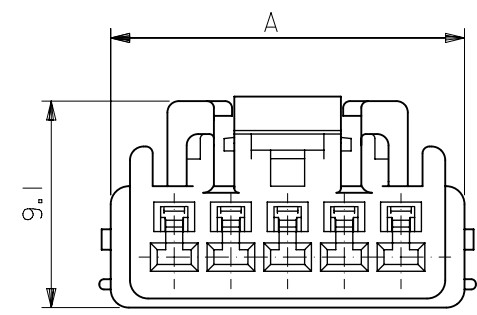
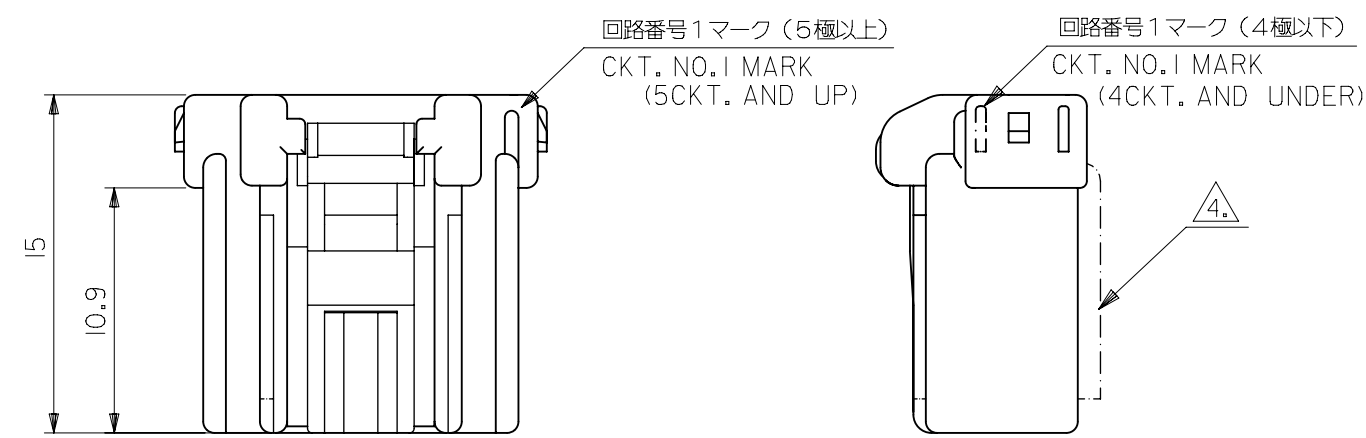
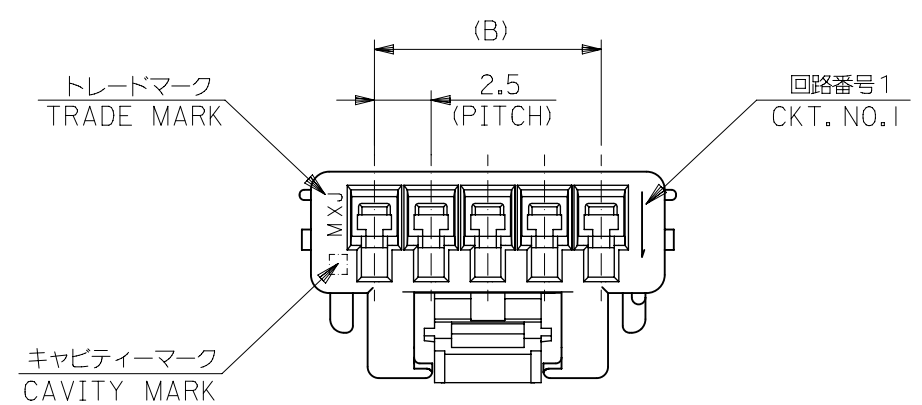
描述	产品编号
CP-2.5 Mini Single Row Plug Housings	<u>500593</u>

可连接使用部件

描述	产品编号
CP-2.5 Mini and CP-3.3 Female Crimp Terminals	<u>50397</u>
CP-2.5 Mini Terminal Position Assurance (TPA) Retainers	<u>500817</u>

This document was generated on Jun 30, 2024

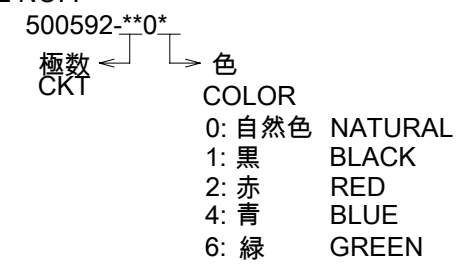
SHAPE OF
500592-050*



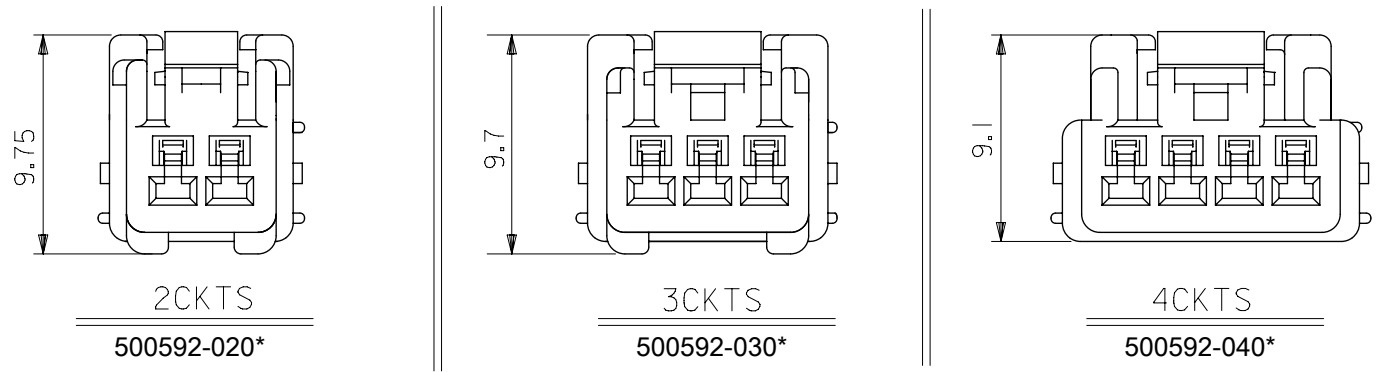
注記
NOTES

1. 適合ターミナル : 50397シリーズ
APPLICABLE TERMINAL : 50397 SERIES
2. 適合リテーナー : 500817シリーズ
APPLICABLE RETAINER : 500817 SERIES
3. 嵌合相手 : 500593シリーズ
MATE WITH : 500593 SERIES
4. 2及び3極に適用。
APPLY 2&3 CIRCUITS.
5. 材質 :PBT (UL94V-0)
MATERIAL :PBT(UL94V-0)

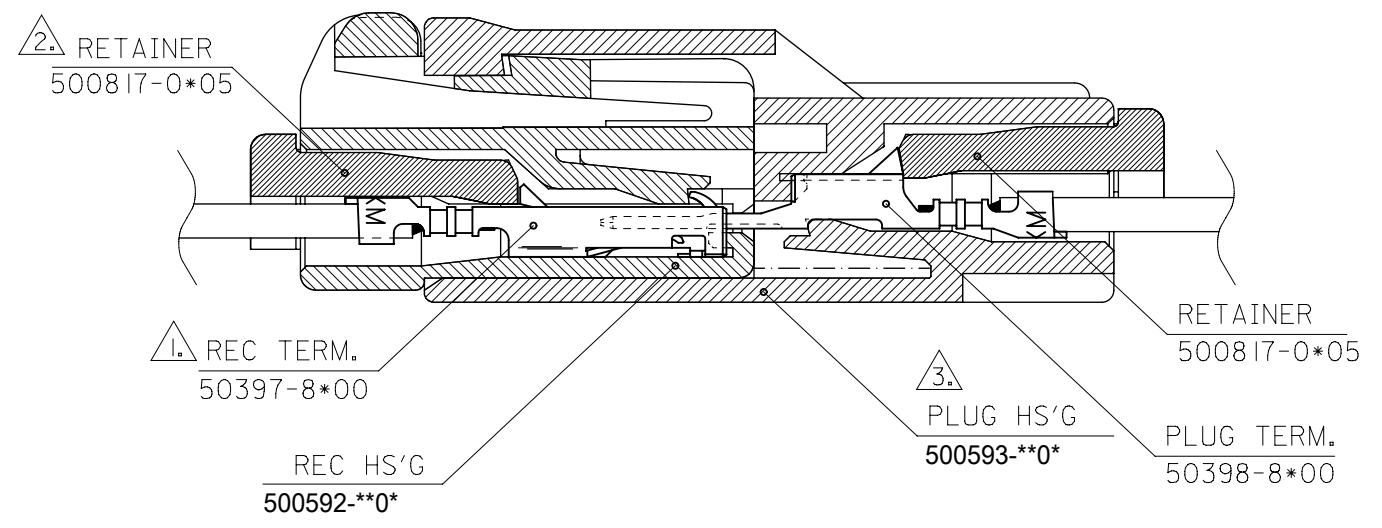
6.MATERIAL NO.は以下の内容を示す。
MATERIAL NO. :



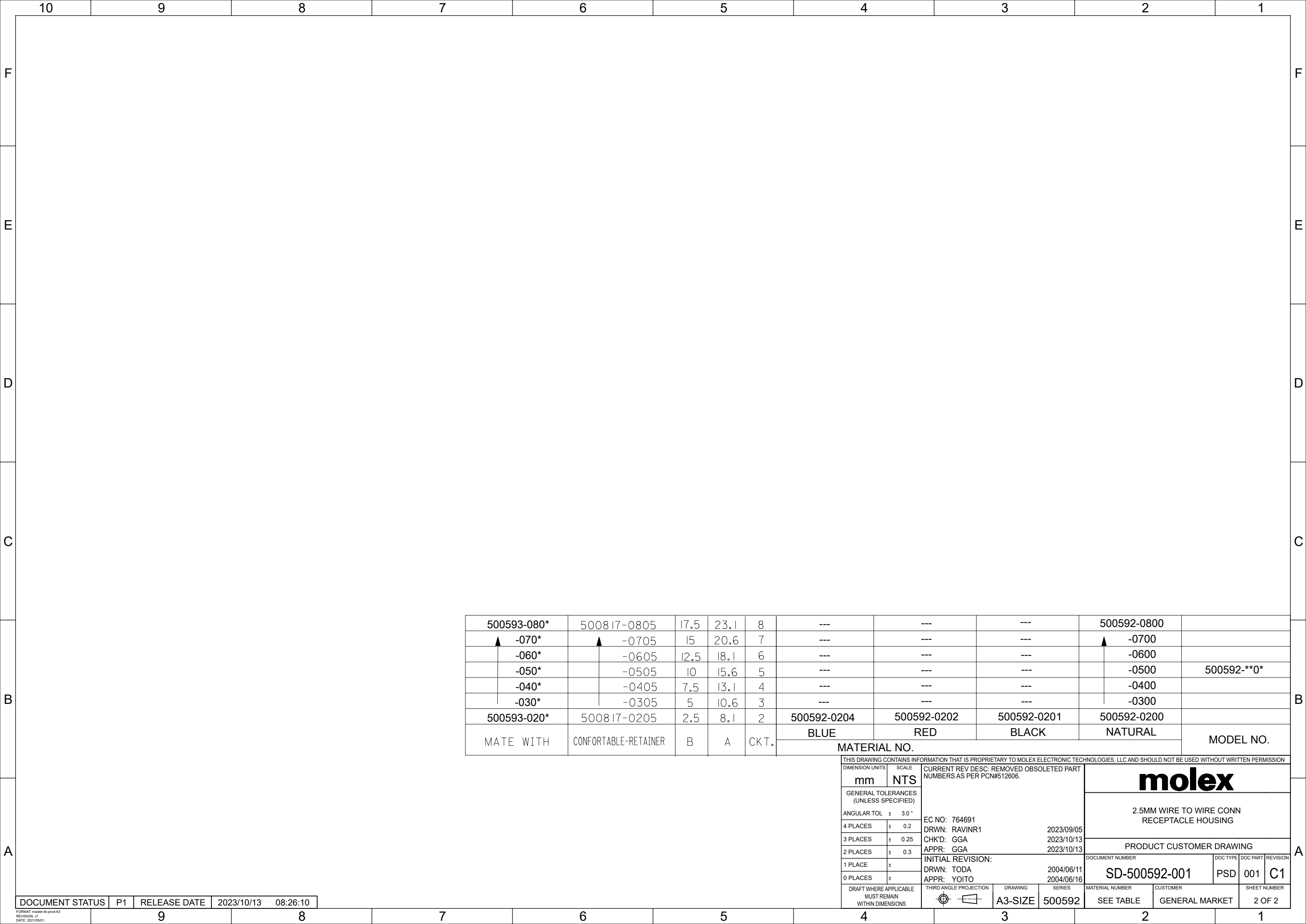
4極以下での極数レイアウト図
LAYOUT OF 2/3/4CKTS.



ターミナル装着状態図
TERMINAL ASSEMBLY DRAWING



THIS DRAWING CONTAINS INFORMATION THAT IS PROPRIETARY TO MOLEX ELECTRONIC TECHNOLOGIES, LLC AND SHOULD NOT BE USED WITHOUT WRITTEN PERMISSION		500592-**0*		MODEL NO.	
DIMENSION UNITS	SCALE	CURRENT REV DESC: REMOVED OBSOLETE PART NUMBERS AS PER PCN#512606.			
mm	NTS	<p>molex</p> <p>2.5MM WIRE TO WIRE CONN RECEPTACLE HOUSING</p> <p>PRODUCT CUSTOMER DRAWING</p>			
GENERAL TOLERANCES (UNLESS SPECIFIED)					
ANGULAR TOL	± 3.0°				
4 PLACES	± 0.2				
3 PLACES	± 0.25				
2 PLACES	± 0.3	EC NO: 764691	DRWN: RAVINR1	2023/09/05	
1 PLACE	±	CHK'D: GGA	APPR: GGA	2023/10/13	
0 PLACES	±	INITIAL REVISION:		DRWN: TODA	2004/06/11
DRAFT WHERE APPLICABLE MUST REMAIN WITHIN DIMENSIONS		THIRD ANGLE PROJECTION	DRAWING	SERIES	MATERIAL NUMBER
			A3-SIZE	500592	SEE TABLE
					CUSTOMER
					GENERAL MARKET
					SHEET NUMBER
					1 OF 2
					DOCUMENT NUMBER
					SD-500592-001
					DOC TYPE
					PSD
					DOC PART
					001
					REVISION
					C1



500593-080*	500817-0805	17.5	23.1	8	---	---	---	500592-0800	
▲ -070*	▲ -0705	15	20.6	7	---	---	---	▲ -0700	
-060*	-0605	12.5	18.1	6	---	---	---	-0600	
-050*	-0505	10	15.6	5	---	---	---	-0500	500592-**0*
-040*	-0405	7.5	13.1	4	---	---	---	-0400	
-030*	-0305	5	10.6	3	---	---	---	-0300	
500593-020*	500817-0205	2.5	8.1	2	500592-0204	500592-0202	500592-0201	500592-0200	
MATE WITH	CONFORTABLE-RETAINER	B	A	CKT.	BLUE	RED	BLACK	NATURAL	MODEL NO.
MATERIAL NO.									

THIS DRAWING CONTAINS INFORMATION THAT IS PROPRIETARY TO MOLEX ELECTRONIC TECHNOLOGIES, LLC AND SHOULD NOT BE USED WITHOUT WRITTEN PERMISSION									
DIMENSION UNITS		SCALE		CURRENT REV DESC: REMOVED OBSOLETE PART NUMBERS AS PER PCN#512606.					
mm		NTS		<div style="text-align: center; font-size: 24pt; font-weight: bold;">molex</div> <p>2.5MM WIRE TO WIRE CONN RECEPTACLE HOUSING</p> <p>PRODUCT CUSTOMER DRAWING</p>					
GENERAL TOLERANCES (UNLESS SPECIFIED)									
ANGULAR TOL ± 3.0 °									
4 PLACES		± 0.2							
3 PLACES		± 0.25							
2 PLACES		± 0.3		EC NO: 764691		2023/09/05			
1 PLACE		±		DRWN: RAVINR1		2023/10/13			
0 PLACES		±		CHK'D: GGA		2023/10/13			
DRAFT WHERE APPLICABLE MUST REMAIN WITHIN DIMENSIONS				THIRD ANGLE PROJECTION		DRAWING		SERIES	
						A3-SIZE		500592	
						MATERIAL NUMBER		CUSTOMER	
						SEE TABLE		GENERAL MARKET	
						DOCUMENT NUMBER		SHEET NUMBER	
						SD-500592-001		2 OF 2	
						DOC TYPE		DOC PART	
						PSD		001	
						REVISION		C1	