



产品编号 : 5005920600

系列号 : 500592

Product Category : Connector Housings

Product Description : 2.50mm Pitch CP-2.5
Mini Wire-to-Wire Receptacle Housing,
Positive Lock, Single Row, 6 Circuits

状态 : Active

文件和资源

图纸

图纸 5005920600_sd.pdf

3D 模型和设计文件

3D模型 5005920600_stp.zip


规格

包装规格 5005929200-200.pdf

产品规格 PS-500592-001-001.pdf

产物环境合规

合规

| | |
|--------------------|---|
| GADSL/IMDS | Not Relevant |
| China RoHS |  |
| EU ELV | Not Relevant |
| Low-Halogen Status | Not Low-Halogen per IEC 61249-2-21 |
| REACH SVHC | Not Contained per D(2023)8585-DC (23 Jan 2024) |
| EU RoHS | Compliant per EU 2015/863 |

多部分产品合规性声明

- Eu RoHS
- REACH SVHC
- Low-Halogen

- IPC 1752A Class C
- IPC 1752A Class D
- Molex Product Compliance Declaration
- IEC-62474
- chemSHERPA (xml)

产品详情

常规

| | |
|------|---|
| 状态 | 活动 |
| 类别 | Connector Housings |
| 系列 | 500592 |
| 说明 | 2.50mm Pitch CP-2.5 Mini Wire-to-Wire Receptacle Housing, Positive Lock, Single Row, 6 Circuits |
| 应用 | Signal, Wire-to-Wire |
| 产品系列 | CP Wire-to-Board and Wire-to-Wire Connector Systems |
| 产品名称 | CP-2.5 Mini |
| UPC | 756054724972 |

物理

| | |
|-----------|----------------|
| 电路数（最多） | 6 |
| 颜色-树脂 | Natural |
| 性别 | Receptacle |
| 符合灼热丝规范 | 否 |
| 材料 - 树脂 | Polyester |
| 净重 | 1318.900/mg |
| 行数 | 1 |
| 包装形式 | Bag |
| 面板安装式 | 否 |
| 间距 - 插配接口 | 2.50mm |
| 运行温度范围 | -40° to +85° C |

可配插/可连接使用的产品

可配插部件

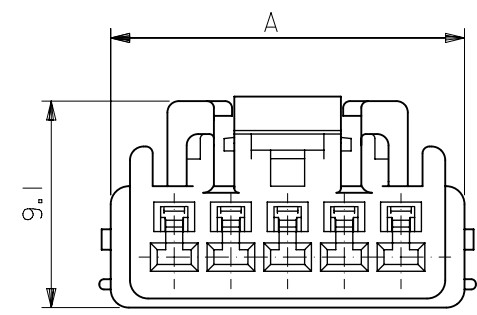
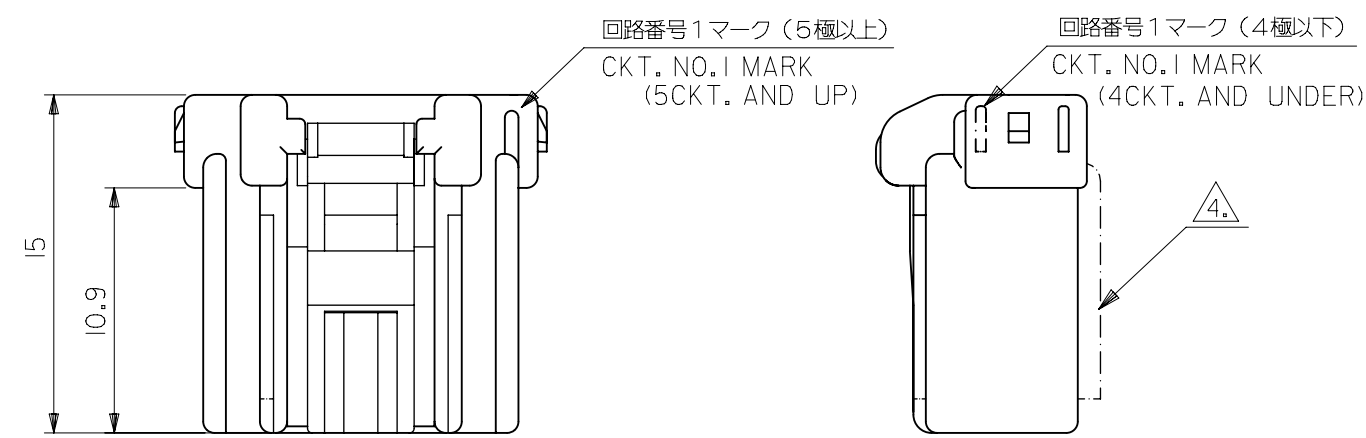
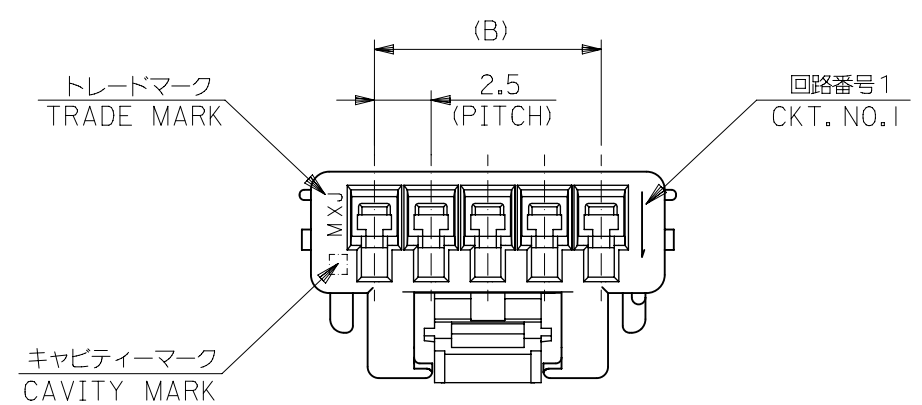
| | |
|--------------------------------------|---------------|
| 描述 | 产品编号 |
| CP-2.5 Mini Single Row Plug Housings | <u>500593</u> |

可连接使用部件

| 描述 | 产品编号 |
|---|---------------|
| CP-2.5 Mini and CP-3.3 Female Crimp Terminals | <u>50397</u> |
| CP-2.5 Mini Terminal Position Assurance (TPA) Retainers | <u>500817</u> |

This document was generated on Jul 01, 2024

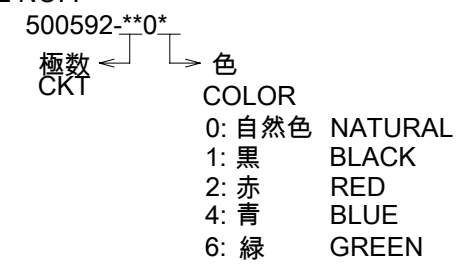
SHAPE OF
500592-050*



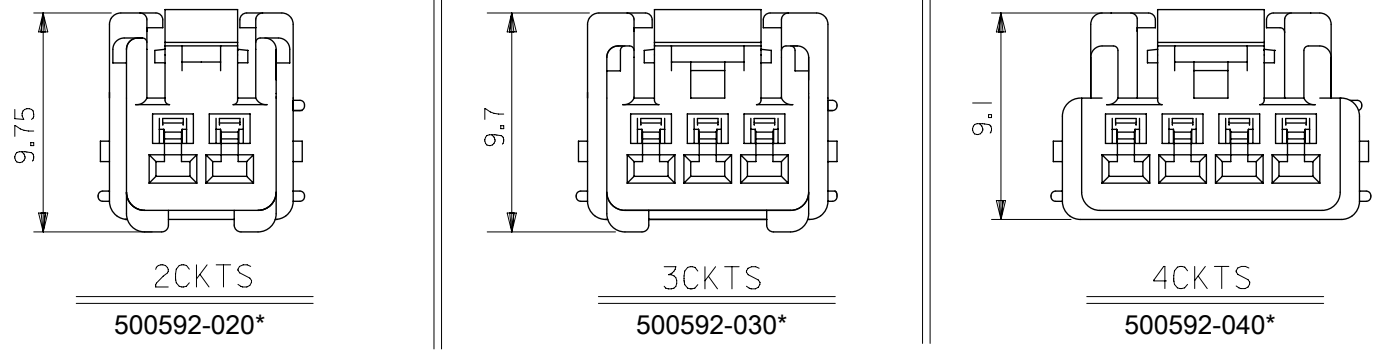
注記
NOTES

1. 適合ターミナル : 50397シリーズ
APPLICABLE TERMINAL : 50397 SERIES
2. 適合リテーナー : 500817シリーズ
APPLICABLE RETAINER : 500817 SERIES
3. 嵌合相手 : 500593シリーズ
MATE WITH : 500593 SERIES
4. 2及び3極に適用。
APPLY 2&3 CIRCUITS.
5. 材質 :PBT (UL94V-0)
MATERIAL :PBT(UL94V-0)

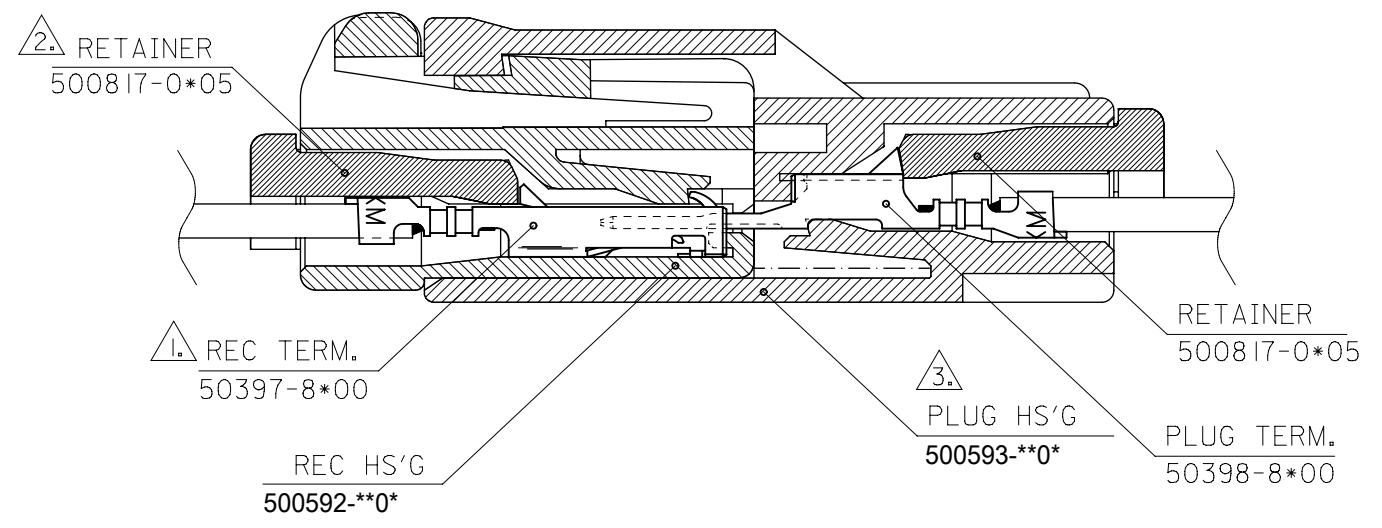
6.MATERIAL NO.は以下の内容を示す。
MATERIAL NO. :



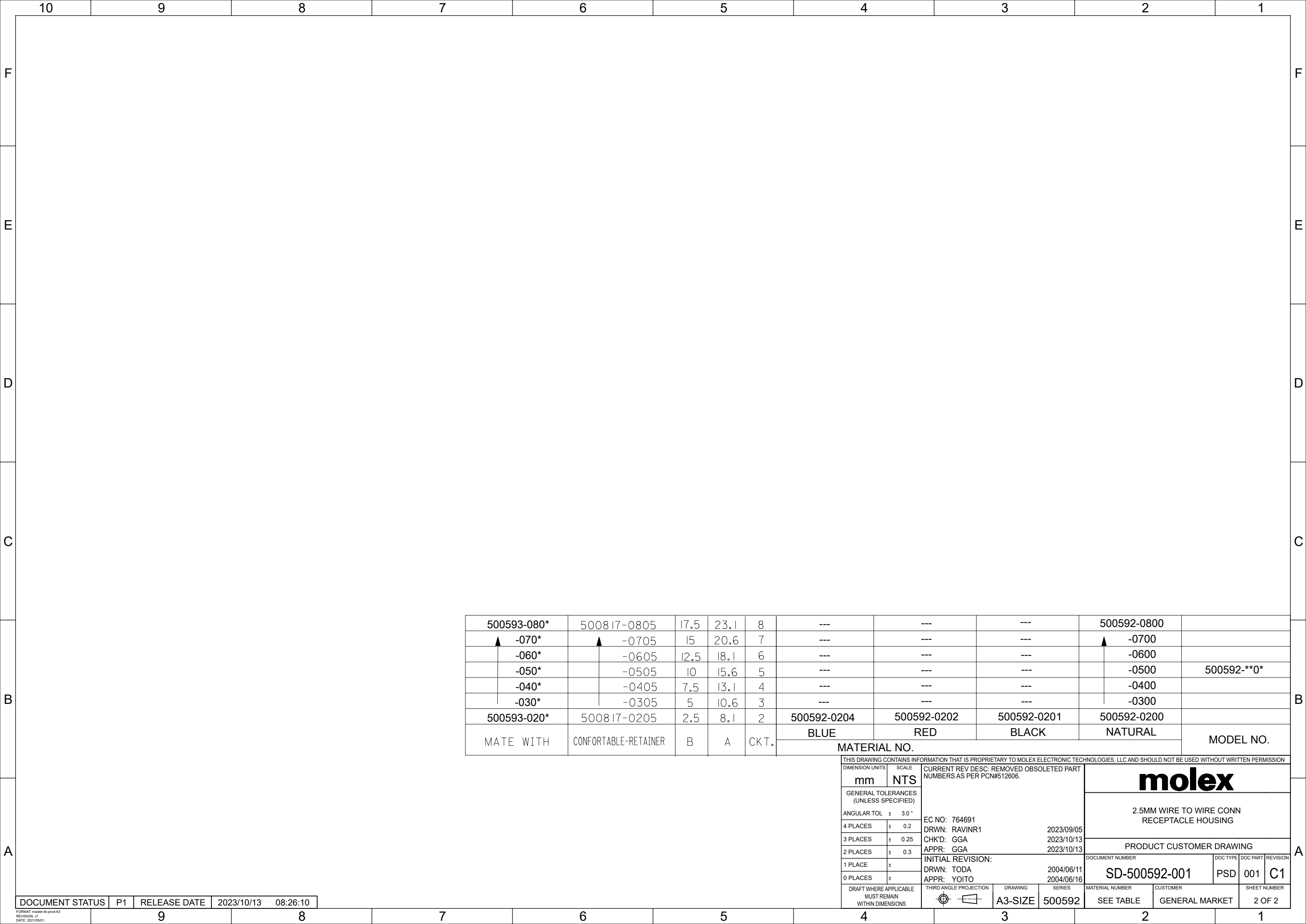
4極以下での極数レイアウト図
LAYOUT OF 2/3/4CKTS.



ターミナル装着状態図
TERMINAL ASSEMBLY DRAWING



| | | | | | |
|---|--------|---|---------------|-----------------|-----------------|
| THIS DRAWING CONTAINS INFORMATION THAT IS PROPRIETARY TO MOLEX ELECTRONIC TECHNOLOGIES, LLC AND SHOULD NOT BE USED WITHOUT WRITTEN PERMISSION | | 500592-**0* | | MODEL NO. | |
| DIMENSION UNITS | SCALE | CURRENT REV DESC: REMOVED OBSOLETE PART NUMBERS AS PER PCN#512606. | | | |
| mm | NTS | <p>molex</p> <p>2.5MM WIRE TO WIRE CONN RECEPTACLE HOUSING</p> <p>PRODUCT CUSTOMER DRAWING</p> | | | |
| GENERAL TOLERANCES (UNLESS SPECIFIED) | | | | | |
| ANGULAR TOL | ± 3.0° | | | | |
| 4 PLACES | ± 0.2 | | | | |
| 3 PLACES | ± 0.25 | | | | |
| 2 PLACES | ± 0.3 | EC NO: 764691 | DRWN: RAVINR1 | 2023/09/05 | |
| 1 PLACE | ± | CHK'D: GGA | APPR: GGA | 2023/10/13 | |
| 0 PLACES | ± | INITIAL REVISION: | | DRWN: TODA | 2004/06/11 |
| DRAFT WHERE APPLICABLE MUST REMAIN WITHIN DIMENSIONS | | THIRD ANGLE PROJECTION | DRAWING | SERIES | MATERIAL NUMBER |
| | | | A3-SIZE | 500592 | SEE TABLE |
| | | CUSTOMER | | DOCUMENT NUMBER | DOC TYPE |
| | | GENERAL MARKET | | SD-500592-001 | PSD |
| | | | | DOC PART | REVISION |
| | | | | 001 | C1 |
| | | | | SHEET NUMBER | |
| | | | | 1 OF 2 | |



| | | | | | | | | | |
|--------------|----------------------|------|------|------|-------------|-------------|-------------|-------------|-------------|
| 500593-080* | 500817-0805 | 17.5 | 23.1 | 8 | --- | --- | --- | 500592-0800 | |
| ▲ -070* | ▲ -0705 | 15 | 20.6 | 7 | --- | --- | --- | ▲ -0700 | |
| -060* | -0605 | 12.5 | 18.1 | 6 | --- | --- | --- | -0600 | |
| -050* | -0505 | 10 | 15.6 | 5 | --- | --- | --- | -0500 | 500592-**0* |
| -040* | -0405 | 7.5 | 13.1 | 4 | --- | --- | --- | -0400 | |
| -030* | -0305 | 5 | 10.6 | 3 | --- | --- | --- | -0300 | |
| 500593-020* | 500817-0205 | 2.5 | 8.1 | 2 | 500592-0204 | 500592-0202 | 500592-0201 | 500592-0200 | |
| MATE WITH | CONFORTABLE-RETAINER | B | A | CKT. | BLUE | RED | BLACK | NATURAL | MODEL NO. |
| MATERIAL NO. | | | | | | | | | |

| | | | | | | | | | |
|---|---------|--|------------|---------|--------|-----------------|----------------|-----------------|--------------------------------|
| THIS DRAWING CONTAINS INFORMATION THAT IS PROPRIETARY TO MOLEX ELECTRONIC TECHNOLOGIES, LLC AND SHOULD NOT BE USED WITHOUT WRITTEN PERMISSION | | | | | | | | | |
| DIMENSION UNITS | SCALE | CURRENT REV DESC: REMOVED OBSOLETE PART NUMBERS AS PER PCN#512606. | | | | | | | |
| mm | NTS | <div style="text-align: center; font-size: 24pt; font-weight: bold;">molex</div> <p>2.5MM WIRE TO WIRE CONN RECEPTACLE HOUSING</p> <p>PRODUCT CUSTOMER DRAWING</p> | | | | | | | |
| GENERAL TOLERANCES (UNLESS SPECIFIED) | | | | | | | | | |
| ANGULAR TOL | ± 3.0 ° | | | | | | | | |
| 4 PLACES | ± 0.2 | | | | | | | | |
| 3 PLACES | ± 0.25 | | | | | | | | |
| 2 PLACES | ± 0.3 | EC NO: 764691 | 2023/09/05 | | | | | | |
| 1 PLACE | ± | DRWN: RAVINR1 | 2023/10/13 | | | | | | |
| 0 PLACES | ± | CHK'D: GGA | 2023/10/13 | | | | | | |
| DRAFT WHERE APPLICABLE MUST REMAIN WITHIN DIMENSIONS | | THIRD ANGLE PROJECTION | | DRAWING | SERIES | MATERIAL NUMBER | CUSTOMER | DOCUMENT NUMBER | DOC TYPE DOC PART REVISION |
| | | | | A3-SIZE | 500592 | SEE TABLE | GENERAL MARKET | SD-500592-001 | PSD 001 C1 |
| | | | | | | | | | SHEET NUMBER |
| | | | | | | | | | 2 OF 2 |

| | | | | |
|-----------------|----|--------------|------------|----------|
| DOCUMENT STATUS | P1 | RELEASE DATE | 2023/10/13 | 08:26:10 |
|-----------------|----|--------------|------------|----------|