

产品编号 : [5007620482](#)

Product Description : 2.50mm, 3.50mm,
3.70mm CMC Header, Right-Angle, 48
Circuits, Gray

系列号 : 500762

状态 : Active

Product Category : PCB Headers and
Receptacles



文件和资源

图纸

[图纸 5007620482_sd.pdf](#)

3D 模型和设计文件

[3D模型 5007620482_stp.zip](#)

产物环境合规

合规

GADSL/IMDS	Compliant with Exemption 44; 33
China RoHS	Not Relevant
EU ELV	Compliant per 2000/53/EC
Low-Halogen Status	Not Low-Halogen per IEC 61249-2-21
REACH SVHC	Not Contained per D(2023)3788-DC (14 Jun 2023)
EU RoHS	Compliant per EU 2015/863

多部分产品合规性声明

- Eu RoHS
- REACH SVHC
- Low-Halogen

多部分行业合规性文件

- IPC 1752A Class C
- IPC 1752A Class D
- Molex Product Compliance Declaration
- IEC-62474

产品详情

常规

状态	活动
类别	PCB Headers and Receptacles
系列	500762
说明	2.50mm, 3.50mm, 3.70mm CMC Header, Right-Angle, 48 Circuits, Gray
应用	Automotive, Power, Wire-to-Board
个评论	Coding: Gray
元件类型	PCB Header
产品系列	CMC and CMX Sealed, Hybrid, Modular Connectors
产品名称	CMC
UPC	889056656313

电气

每触点最大电流	12.0A, 2.5A
电压 - 最大	14V DC

物理

断开	否
电路详图	8 x 1.5mm & 40 x 0.635mm terminals
回路数 (已载入)	48
电路数 (最多)	48
颜色-树脂	灰色
耐用性(插拔次数) - 最多次数	20
先接后断	是
符合灼热丝规范	否
可配插产品指南	否
插接极性	是
锁定插接部位	是

材料 - 金属	Copper Alloy
材料 - 接合部位电镀	Tin
材料 - 终端电镀	Tin
净重	35.300/g
行数	4
方向	Right Angle
包装形式	Tray
PC 焊脚长度	3.60mm
PCB 定位器	是
PCB 保持力	无
推荐的 PCB 厚度	1.60mm
间距 - 插配接口	2.50mm, 3.50mm, 3.70mm
间距 - 终端界面	2.50mm, 3.50mm, 3.70mm
有极性的插配件	是
PCB 极性	是
有护墙的	Closed Ends
可堆叠的	否
运行温度范围	-40° to +125° C
终端界面类型	Solder or Weld

可配插/可连接使用的产品

可配插部件

描述	产品编号
.635mm, 1.50mm, CMC Receptacle, 48 Circuits, Left Wire Output, Gray Coding, Mat Sealed	<u>0643201318</u>
.635mm, 1.50mm, CMC Receptacle, 48 Circuits, Right Wire Output, Gray Coding, Mat Sealed	<u>0643203318</u>

KEY OPTION

BLACK

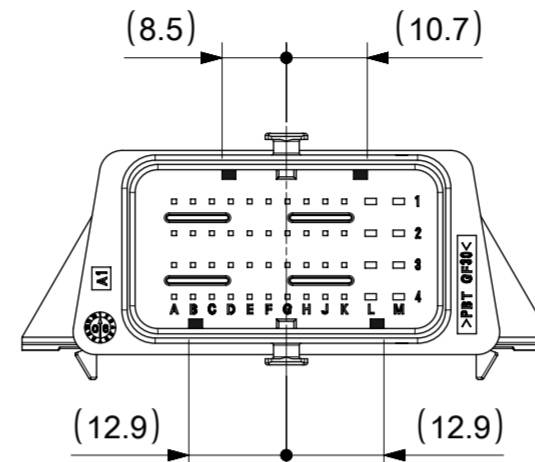
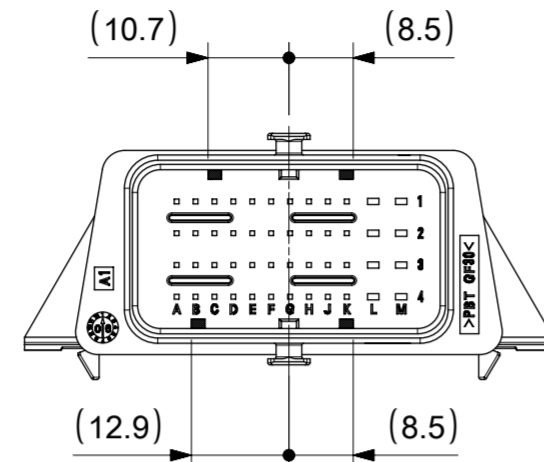
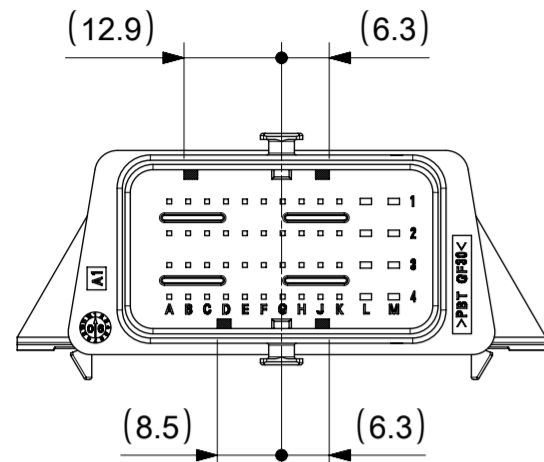
GRAY

BROWN

500762-0481 / 500762-0581

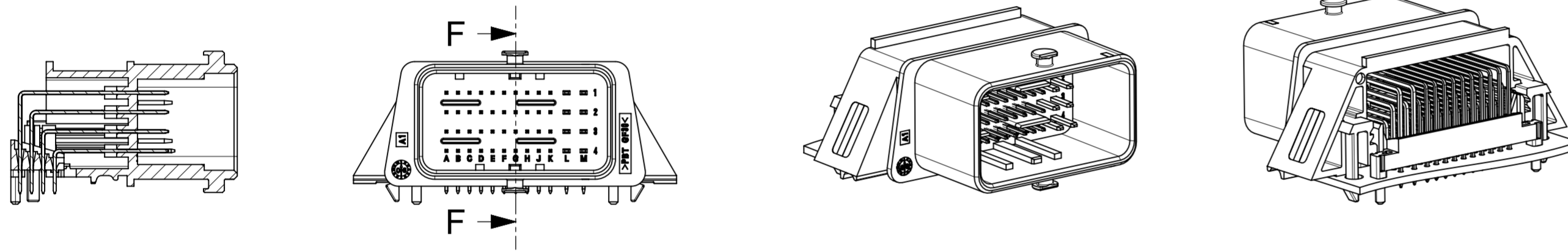
500762-0482 / 500762-0582

500762-0483 / 500762-0583



- NOTES
- ① 1. PLASTIC MATERIAL:
HOUSING: PBT GF30-V0 BLACK (KEY OPTION: BLACK AND BROWN)
PBT GF30-V0 GRAY (KEY OPTION: GRAY)
GUIDE PLATE: PBT GF30-V0 BLACK
 - ② 2. PIN 0.64 / 025 :
- FOR P/N 500762-048x :
MATERIAL : PRE-PLATED BRASS C26000 H03 / CuZn30 3/4H
PLATING : Sn 2.0 - 4.0 μm OVER Ni 1.3 - 2.2 μm ON BOTH MATE END AND PCB END

- FOR P/N 500762-058x :
MATERIAL : BRASS C26000 H03 / CuZn30 3/4H
PLATING : Au 0.8 μm mini OVER Ni ON MATE END
Sn 2.0 - 4.0 μm OVER Ni 1.3 - 2.2 μm ON PCB END
 - ③ 3. PIN 1.50 / 060 :
- MATERIAL : BRASS C26000 H03 / CuZn30 3/4H
- PLATING : Sn 2.0 - 4.0 μm OVER Ni 1.3 - 3.8 μm ON BOTH MATE END AND PCB END
 - 4. RECOMMENDED P.C.B THICKNESS: 1.6±0.1 mm
 - 5. PRODUCT SPECIFICATION: REFER TO PS-64319-001



SECTION F-F
Once Mounted Onto the PCB

APPLICABLE CONNECTORS				
BROWN	64320-1319	64320-2319	64320-3319	64320-4319
GRAY	64320-1318	Not Tooled	64320-3318	Not Tooled
BLACK	64320-1311	64320-2311	64320-3311	64320-4311
KEY OPTION	CMC	CMC	CMC	CMC
	48CKT LEFT	36CKT LEFT	48CKT RIGHT	36CKT RIGHT
LEFT / RIGHT PER CONNECTOR DEFINITION				

HEADER P/N TABLE		
BROWN	500762-0483	500762-0583
GRAY	500762-0482	500762-0582 (Not Tooled)
BLACK	500762-0481	500762-0581 (Not Tooled)
↑ KEY OPTION ↑	0.64 / 025 Sn PLATED	0.64 / 025 Au PLATED
MATERIAL NO.		

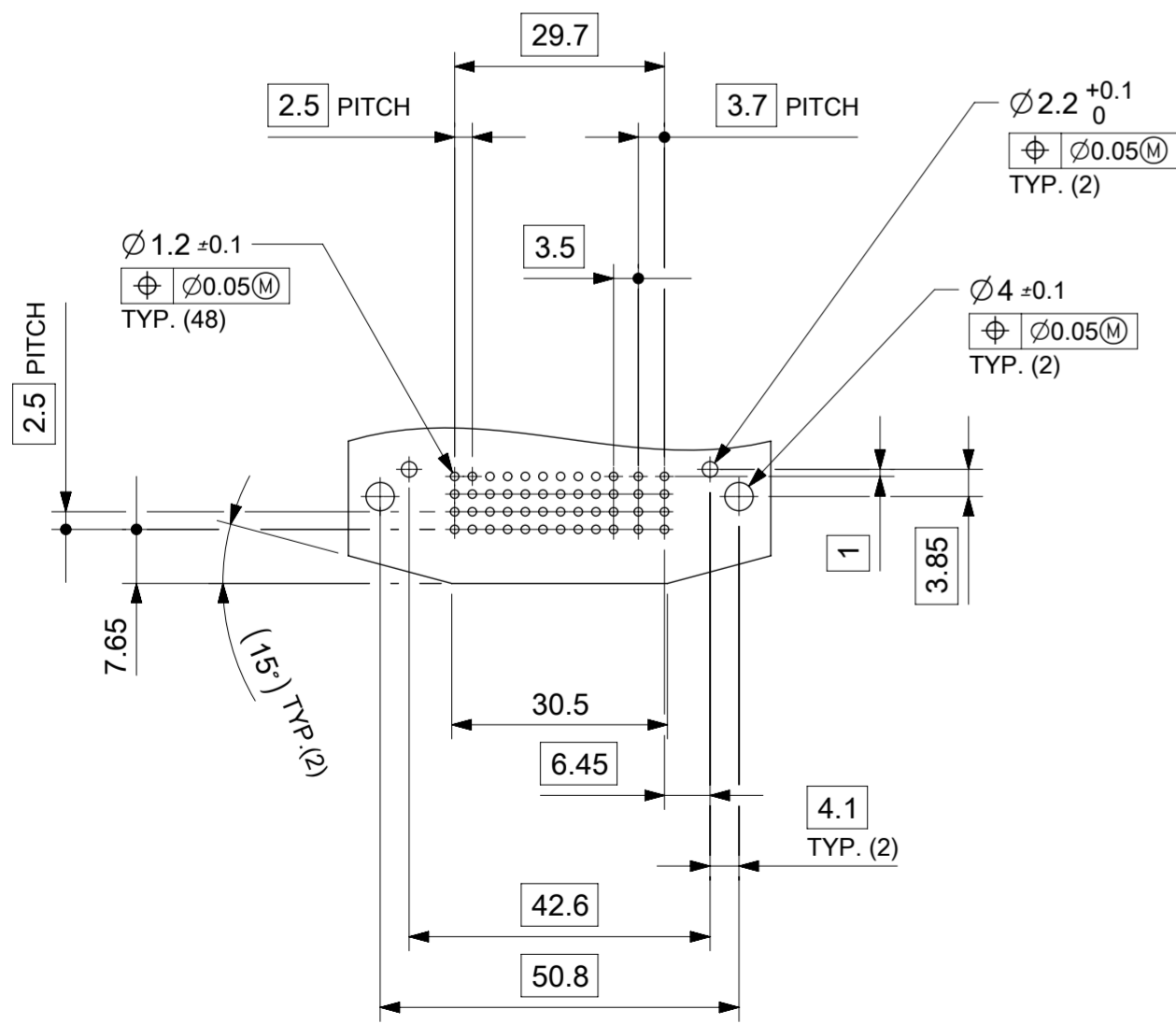
GENERAL TOLERANCES (UNLESS SPECIFIED)	
10 UNDER	±0.2
10 OVER 30 UNDER	±0.25
30 OVER	±0.3
ANGULAR	±2°
DRAFT WHERE APPLICABLE MUST REMAIN WITHIN DIMENSIONS	

637112	D	-REVISE PLASTIC & COPPER INFORMATION DESCRIPTION. -ADD PLATING THICKNESS. -ADD DIM TOLERANCE FOR CASING INTERFACING. -ADD PCB SIDE PIN POSITION. -REFER TO REVISION LETTER ① FOR DETAIL CHANGE.
627497	C1	REMOVE PAP INITIAL POSITION VIEW
621586	C	ADDING P/N -0581 TO -0583
JTR2016-0064 /10760248	B	ADDED KEY OPTION GRAY(500762-0482) D-6, C-1 CHANGED NOTES 1 FOR MATERIAL
JTR2014-0026 /10638694	A	ADDED KEY OPTION BROWN(500762-0483) B-10, C-1
JTR2009-0026 /10379065	0	INITIAL RELEASE
EC#	VERSION	DESCRIPTION

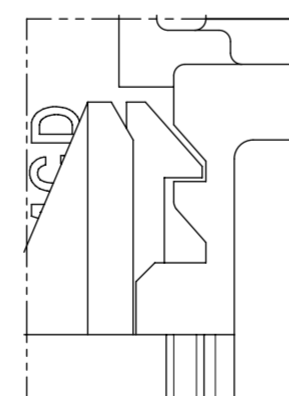
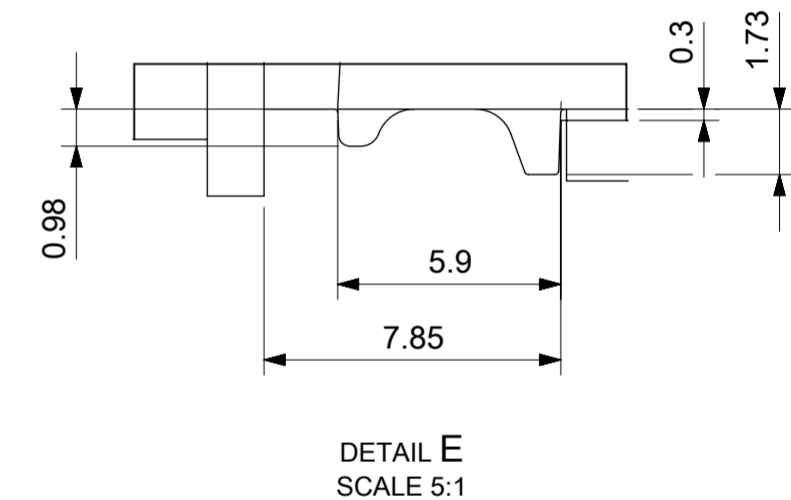
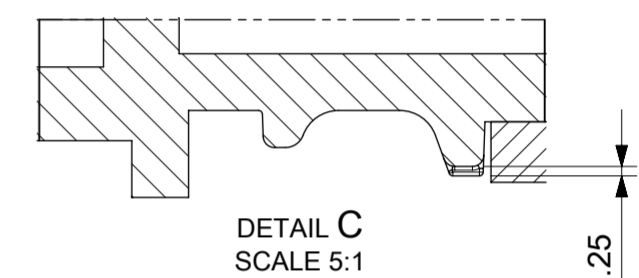
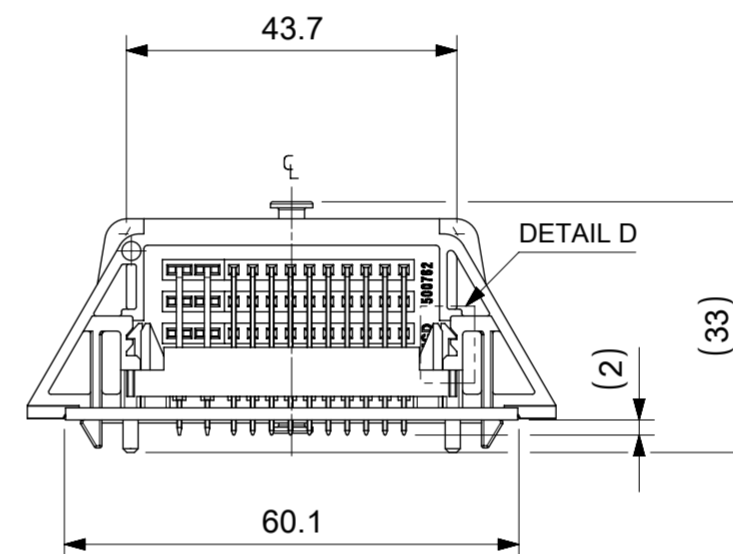
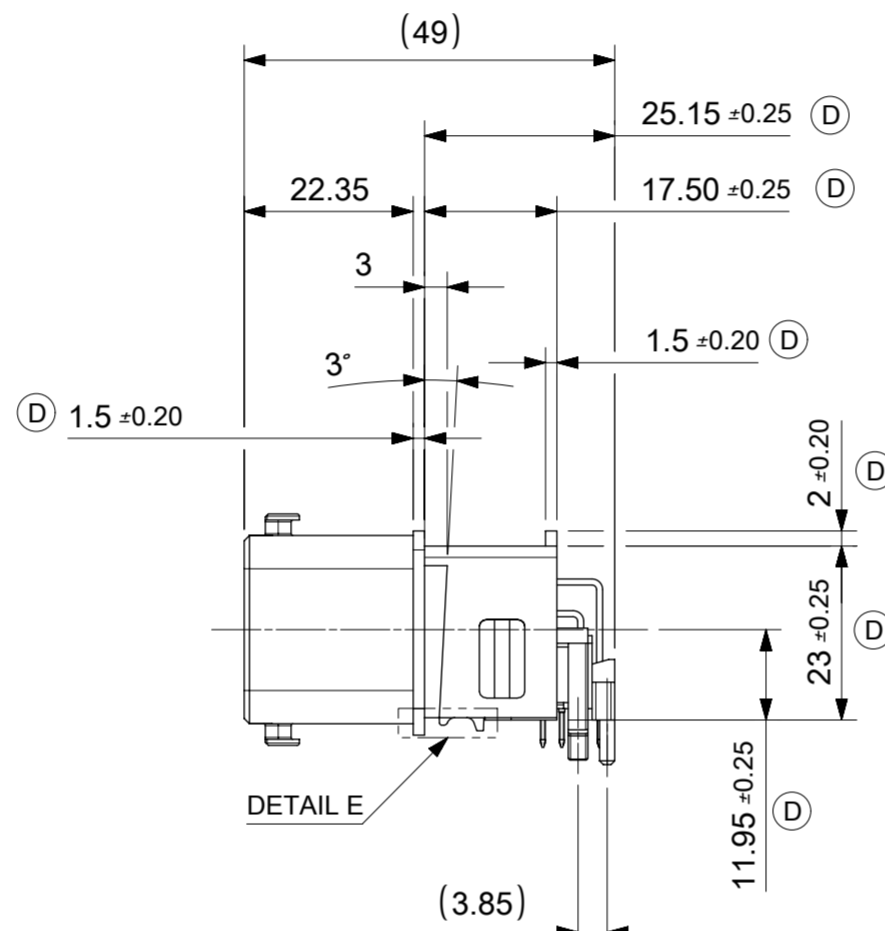
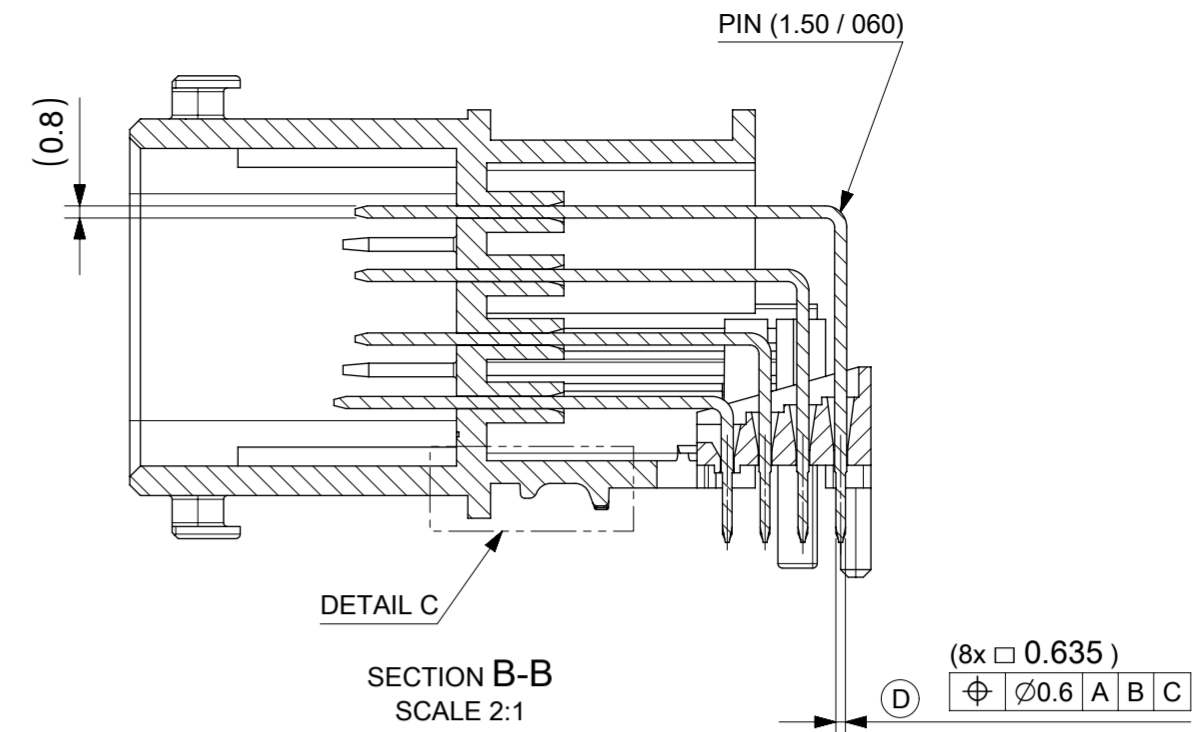
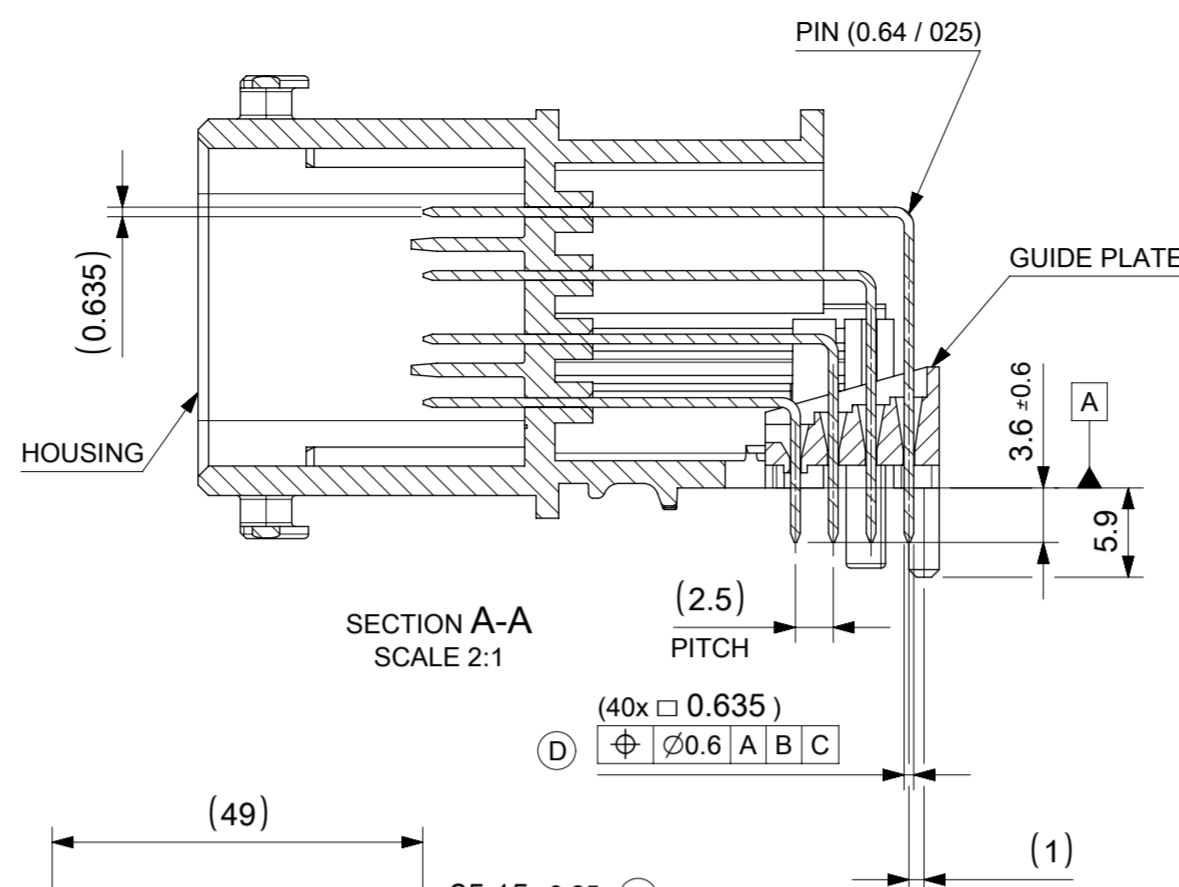
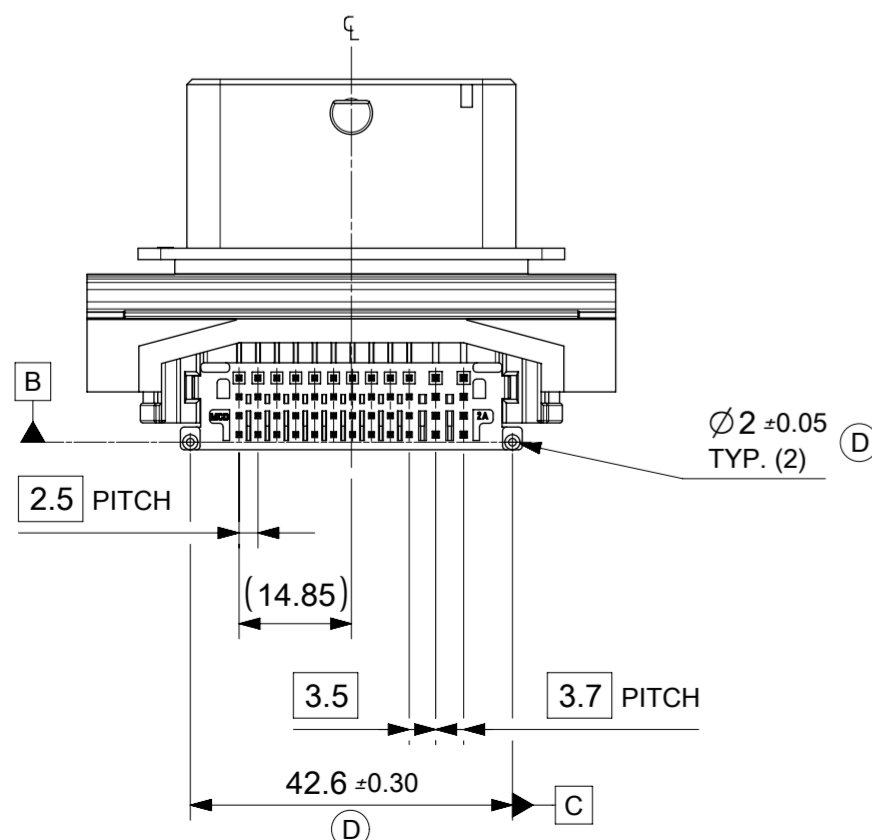
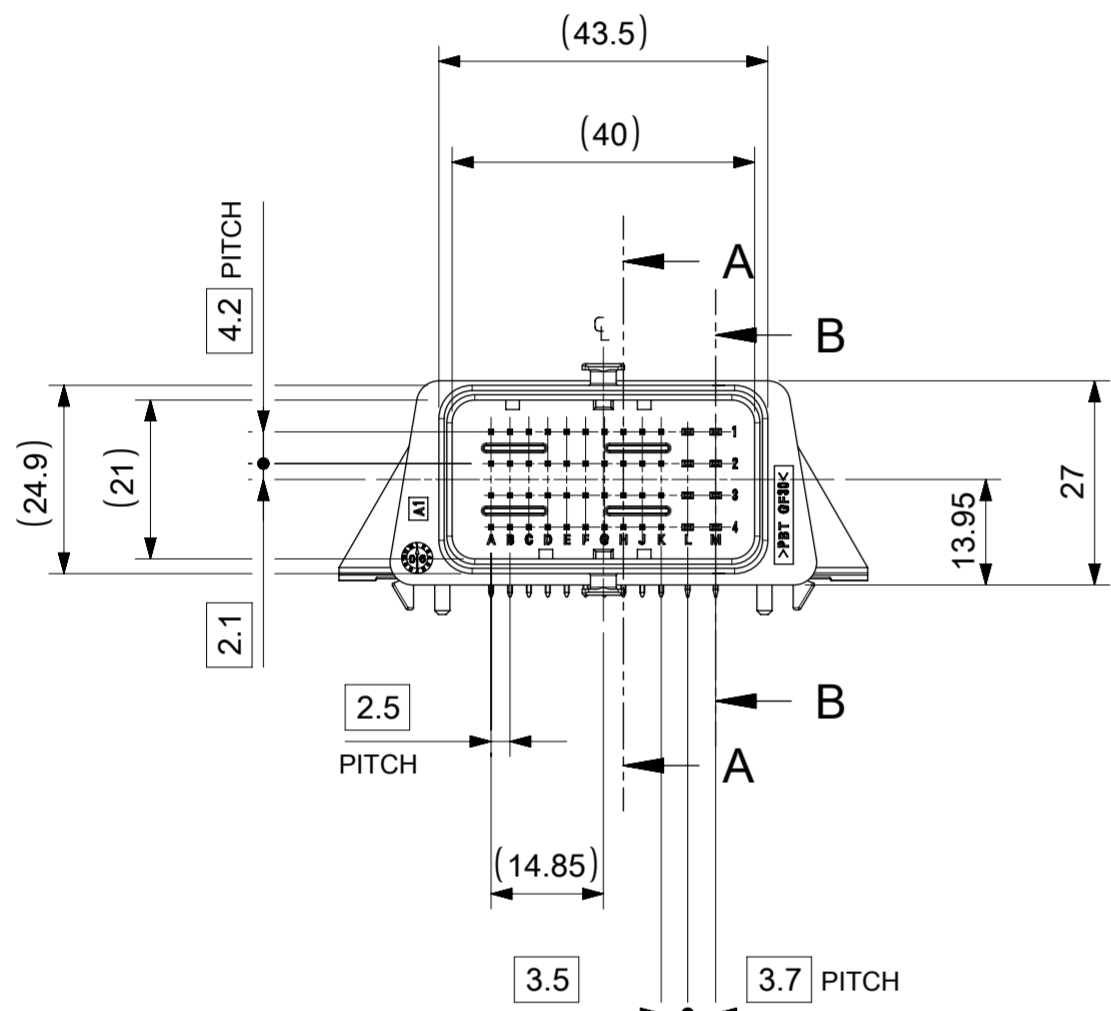
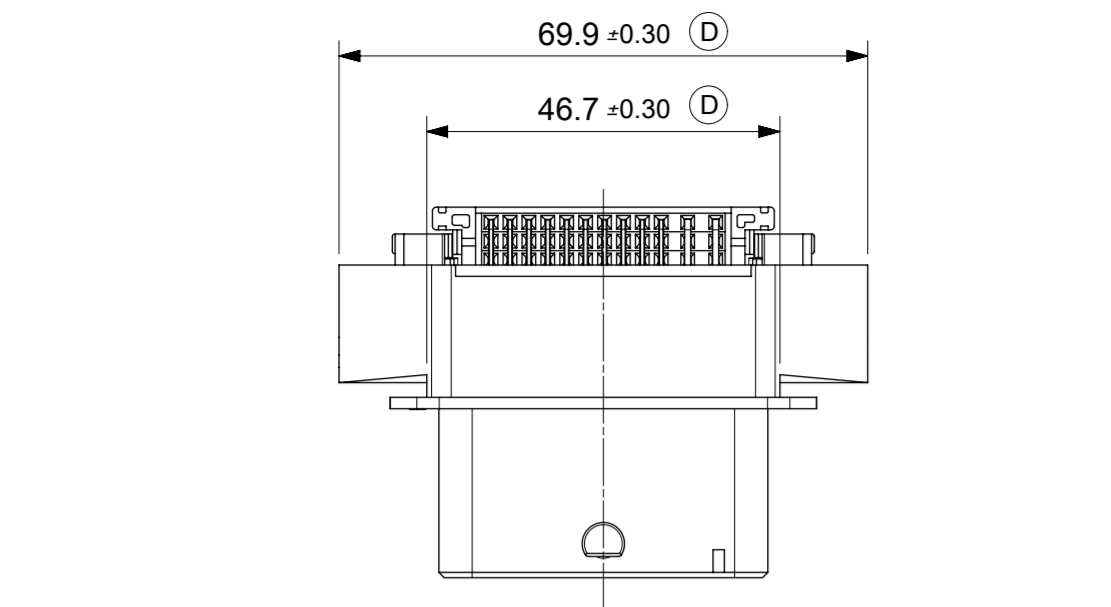
MODIFICATION LOG

THIS DRAWING CONTAINS INFORMATION THAT IS PROPRIETARY TO MOLEX ELECTRONIC TECHNOLOGIES, LLC AND SHOULD NOT BE USED WITHOUT WRITTEN PERMISSION

DIMENSION UNITS	SCALE	CURRENT REV DESC: SEE MODIFICATION LOG	
mm	1:1		
GENERAL TOLERANCES (UNLESS SPECIFIED)		<p>EC NO: 637112</p> <p>DRWN: ACOIFFIER 2020/02/12</p> <p>CHK'D: HWBAI 2020/05/14</p> <p>APPR: JDENG02 2020/05/14</p> <p>INITIAL REVISION:</p> <p>DRWN: SANDO 2008/08/08</p> <p>APPR: AKANESHIGE 2008/08/08</p>	
ANGULAR TOL	± °		
4 PLACES	±		
3 PLACES	±		
2 PLACES	±		
1 PLACE	±	<p>DOCUMENT NUMBER</p> <p>SD-500762-001</p>	
0 PLACES	±	DOC TYPE	DOC PART
DRAFT WHERE APPLICABLE MUST REMAIN WITHIN DIMENSIONS		SHEET NUMBER	
THIRD ANGLE PROJECTION		GENERAL MARKET	
DRAWING		SERIES	
A2-SIZE		500762	
MATERIAL NUMBER		SEE TABLE	
CUSTOMER		GENERAL MARKET	
1 OF 2			



RECOMMENDED PCB LAYOUT (COMPONENT SIDE)



P.C.B MOUNTING STATE
DELIVERY POSITION

GUIDE PLATE POSITION

DETAIL D
SCALE 5:1

THIS DRAWING CONTAINS INFORMATION THAT IS PROPRIETARY TO MOLEX ELECTRONIC TECHNOLOGIES, LLC AND SHOULD NOT BE USED WITHOUT WRITTEN PERMISSION									
DIMENSION UNITS		SCALE		CURRENT REV DESC: SEE MODIFICATION LOG					
mm		1:1							
GENERAL TOLERANCES (UNLESS SPECIFIED)									
ANGULAR TOL ± °									
4 PLACES ±		EC NO: 637112		DRWN: ACOIFFIER		2020/02/12			
3 PLACES ±		CHK'D: HWBAI		APPR: JDENG02		2020/05/14			
2 PLACES ±		INITIAL REVISION:		DRWN: SANDO		2008/08/08			
1 PLACE ±		DRWN: SANDO		APPR: AKANESHIGE		2008/08/08			
0 PLACES ±		DRAFT WHERE APPLICABLE MUST REMAIN WITHIN DIMENSIONS		THIRD ANGLE PROJECTION		DRAWING		SERIES	
				A2-SIZE		500762			
DOCUMENT NUMBER				CUSTOMER		DOC TYPE		DOC PART	
SD-500762-001				GENERAL MARKET		PSD		001	
MATERIAL NUMBER				CUSTOMER		SHEET NUMBER		REVISION	
SEE TABLE				GENERAL MARKET		2 OF 2		D	