



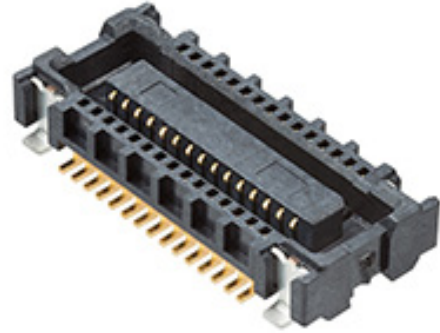
产品编号 : [5009131002](#)

**Product Description** : SlimStack Board-to-Board Receptacle, 0.40mm Pitch, J-Bend Series, 1.80 or 2.30mm Mated Height, 4.20mm Mated Width, 100 Circuits

系列号 : 500913

状态 : Active

**Product Category** : Board-to-Board Connectors



---

## 文件和资源

### 图纸

[图纸 5009131002\\_sd.pdf](#)

### 3D 模型和设计文件

[3D模型 5009131002\\_stp.zip](#)

### 规格

[包装规格 SPK-500913-001-001.pdf](#)

[产品规格 PS-500913-001-001.pdf](#)

---

## 产物环境合规

### 合规

|                    |  |
|--------------------|--|
| GADSL/IMDS         | Not Relevant                                   |
| China RoHS         |  |
| EU ELV             | Not Relevant                                   |
| Low-Halogen Status | Low-Halogen per IEC 61249-2-21                 |
| REACH SVHC         | Not Contained per D(2023)3788-DC (14 Jun 2023) |
| EU RoHS            | Compliant per EU 2015/863                      |

### [多部分产品合规性声明](#)

- Eu RoHS
- REACH SVHC
- Low-Halogen

### [多部分行业合规性文件](#)

- IPC 1752A Class C

- IPC 1752A Class D
- Molex Product Compliance Declaration
- IEC-62474
- chemSHERPA (xml)

欧盟 RoHS 合格证书

## 产品详情

### 常规

|      |   |
|------|---|
| 状态   | 活动  |
| 类别   | Board-to-Board Connectors   |
| 系列   | 500913  |
| 说明   | SlimStack Board-to-Board Receptacle, 0.40mm Pitch, J-Bend Series, 1.80 or 2.30mm Mated Height, 4.20mm Mated Width, 100 Circuits |
| 产品系列 | 0.4, J-Bend   |
| 应用   | Board-to-Board, Signal  |
| 元件类型 | PCB Receptacle  |
| 产品系列 | SlimStack Board-to-Board/Board-to-FPC Connectors  |
| 产品名称 | SlimStack   |
| UPC  | 822348533077  |

### 电气

|         |                 |
|---------|-----------------|
| 每触点最大电流 | 0.3A            |
| 电压 - 最大 | 50V AC (RMS)/DC |

### 物理

|                  |                |
|------------------|----------------|
| 回路数 (已载入)        | 100            |
| 电路数 (最多)         | 100            |
| 颜色-树脂            | 黑色             |
| 耐用性(插拔次数) - 最多次数 | 30             |
| 符合灼热丝规范          | 否              |
| 锁定插接部位           | 是              |
| 插配长度             | 1.80mm, 2.30mm |
| 插配宽度             | 4.20mm         |

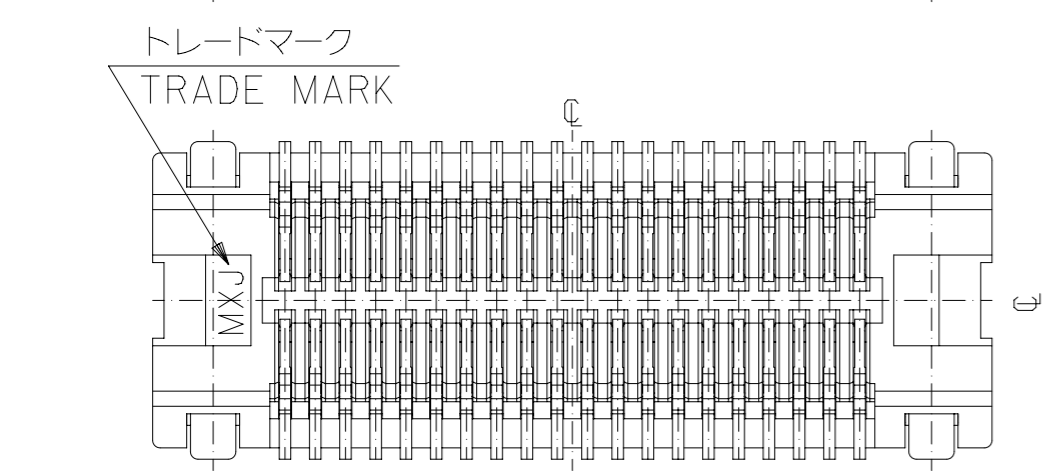
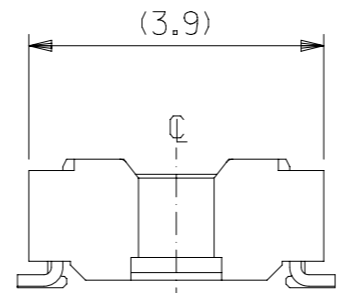
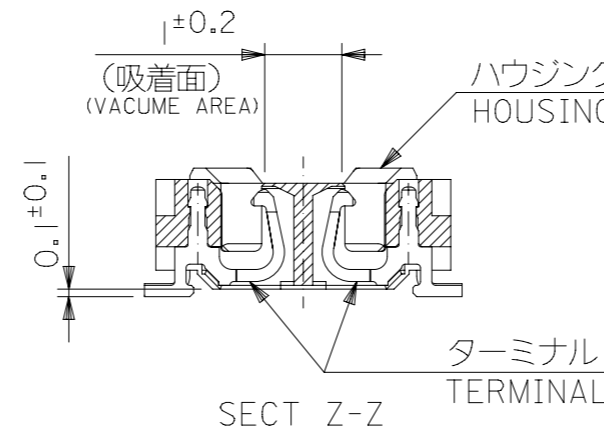
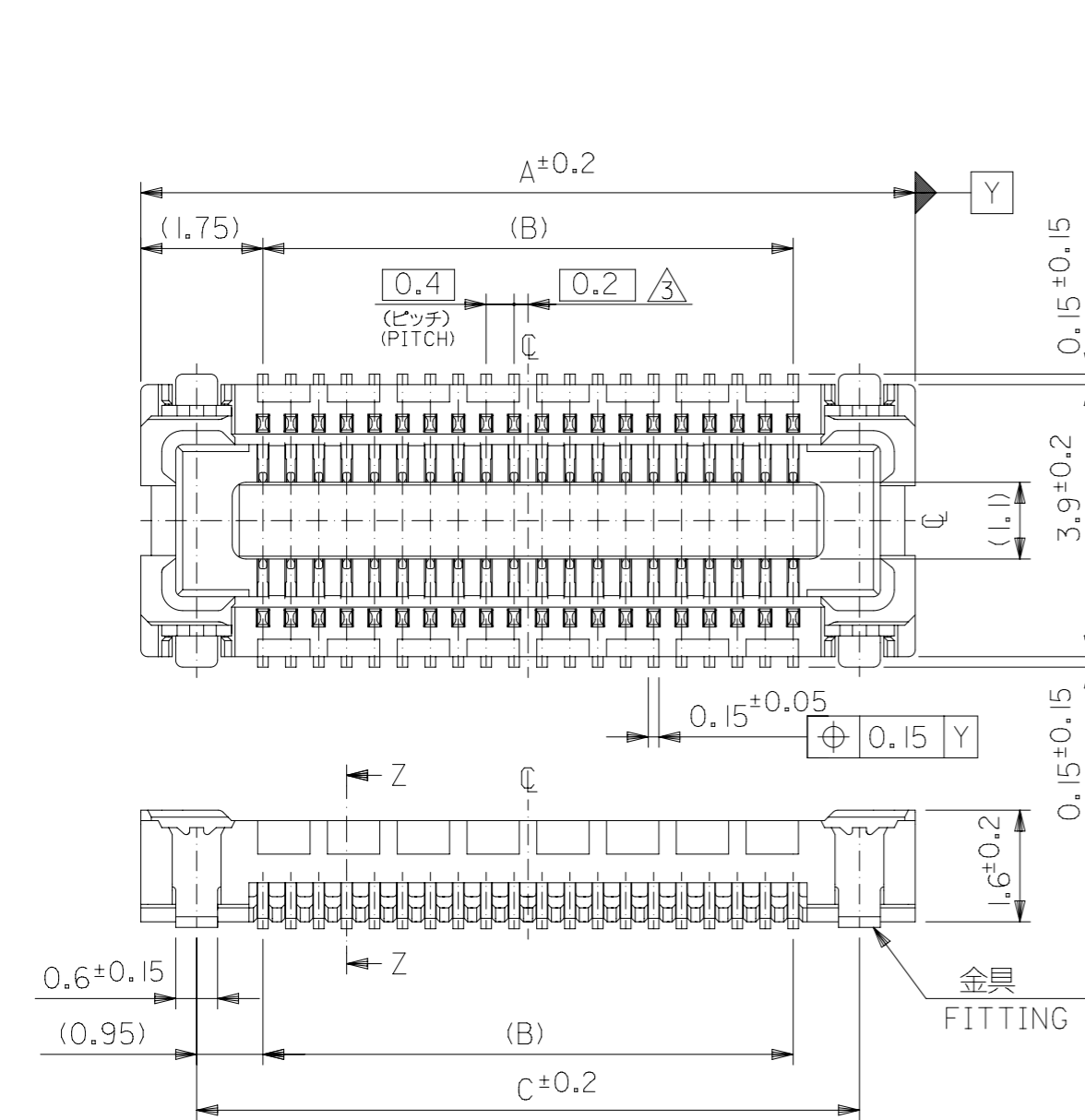
|             |                                |
|-------------|--------------------------------|
| 材料 - 金属     | Phosphor Bronze                |
| 材料 - 接合部位电镀 | 金牌                             |
| 材料 - 终端电镀   | 金牌                             |
| 材料 - 树脂     | High Temperature Thermoplastic |
| 净重          | 204.741/mg                     |
| 行数          | 2                              |
| 方向          | 垂直                             |
| 包装形式        | Embossed Tape on Reel          |
| PCB 定位器     | 否                              |
| PCB 保持力     | 无                              |
| 间距 - 插配接口   | 0.40mm                         |
| 间距 - 终端界面   | 0.40mm                         |
| 最薄镀层 - 接合部位 | 0.254µm                        |
| 最薄镀层 - 端接   | 0.051µm                        |
| 有极性的插配件     | 否                              |
| PCB 极性      | 否                              |
| 运行温度范围      | -40° to +105° C                |
| 终端界面类型      | Surface Mount                  |

---

## 可配插/可连接使用的产品

### 可配插部件

| 描述                                    | 产品编号         |
|---------------------------------------|--------------|
| 0.40mm Pitch Vertical SlimStack Plugs | <u>55909</u> |



注記 NOTES

1. 使用材料 MATERIAL

ハウジング : 液晶ポリマー ( LCP ) UL94V-0 ( 黒 )  
HOUSING: LIQUID CRYSTAL POLYMER UL94V-0 ( COLOR: BLACK )

ターミナル : リン青銅  
TERMINAL : PHOSPHOR BRONZE

補強金具 : リン青銅  
FITTING NAIL : PHOSPHOR BRONZE

2. メッキ仕様 PLATING

ターミナル TERMINAL  
コンタクト部 : 部分金めっき ( 0.2µm以上 )  
CONTACT AREA : SEPARATED GOLD PLATING ( 0.2 MICROMETER MINIMUM )

テール部 : 部分金めっき  
SOLDER TAIL AREA : SEPARATED GOLD PLATING  
下地 : ニッケルめっき ( 1.5µm以上 )  
UNDERPLATE : NICKEL OVERALL ( 1.5 MICROMETER MINIMUM )

※コンタクト部とテール部はニッケルメッキによって分断されている金メッキです。  
DIVIDE INTO PARTS THE GOLD PLATING OF THE CONTACT AND THE TAIL PART BY THE NICKEL PLATING.

補強金具 FITTING NAIL  
テール部 : 錫メッキ ( 1.0µm以上 )  
SOLDER TAIL AREA : TIN PLATING ( 1.0 MICROMETER MINIMUM )  
下地 : ニッケルめっき ( 1.0µm以上 )  
UNDERPLATE : NICKEL OVERALL ( 1.0 MICROMETER MINIMUM )

△ ( 全極数 / 2 ) = 偶数の場合に適用。  
APPLY FOR ( CIRCUIT/2 ) = EVEN.

4. 嵌合相手 : 55909シリーズ ( 嵌合高さ = 1.8mm ) 及び 501745シリーズ ( 嵌合高さ = 2.3mm )  
MATE WITH : 55909 SERIES ( HEIGHT = 1.8mm ) AND 501745 SERIES ( HEIGHT = 2.3mm )

5. テール及び金具の平坦度は、 0.1 以下  
TAIL AND FITTING NAIL COPLANARITY TO BE 0.1 MAXIMUM.

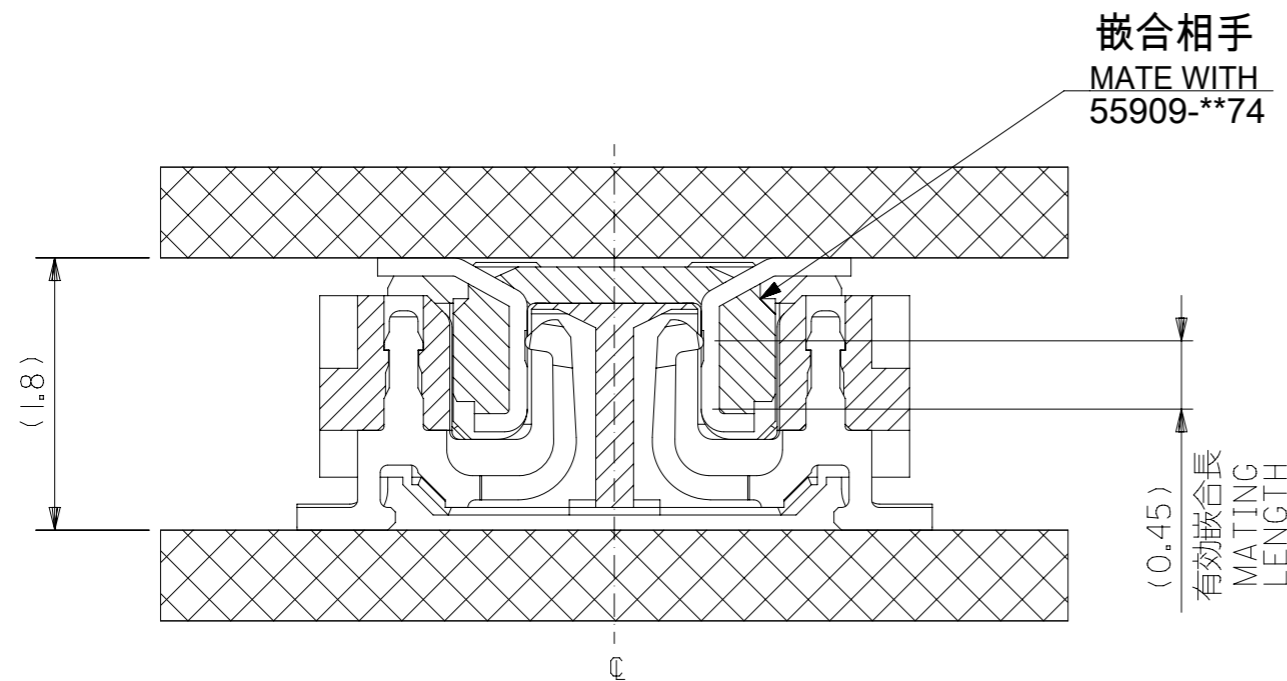
6. ELV & RoSH適合品  
ELV and RoSH COMPLIANT

|      |      |      |             |     |
|------|------|------|-------------|-----|
| 21.5 | 19.6 | 23.1 | 500913-1002 | 100 |
| 19.5 | 17.6 | 21.1 | 500913-0902 | 90  |
| 15.5 | 13.6 | 17.1 | 500913-0702 | 70  |
| 13.5 | 11.6 | 15.1 | 500913-0602 | 60  |
| 11.5 | 9.6  | 13.1 | 500913-0502 | 50  |
| 9.5  | 7.6  | 11.1 | 500913-0402 | 40  |
| 7.5  | 5.6  | 9.1  | 500913-0302 | 30  |
| 6.3  | 4.4  | 7.9  | 500913-0242 | 24  |

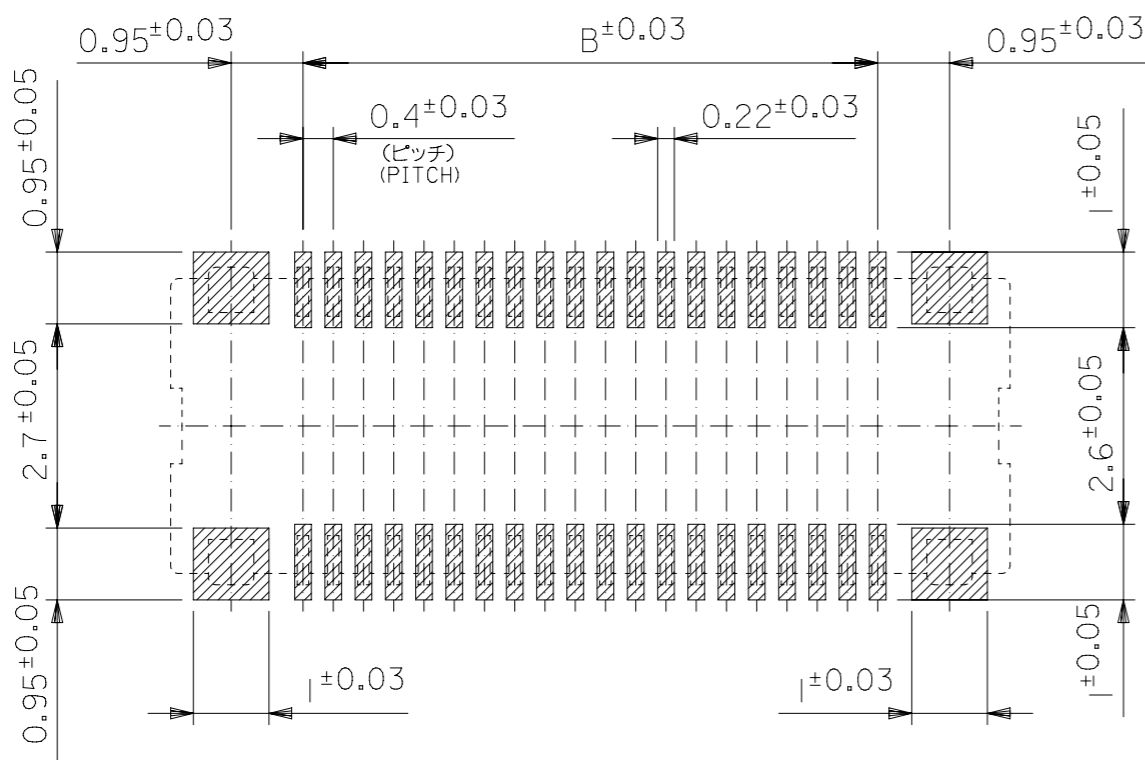
|                                    |   |   |                       |               |
|------------------------------------|---|---|-----------------------|---------------|
| C                                  | B | A | EMBOSSED TAPE PACKAGE | 極数<br>CIRCUIT |
|                                    |   |   | オーダー番号 ORDER NO.      |               |
| CONNECTOR SERIES No. : 500913-***8 |   |   |                       |               |

|   |                        |                          |        |   |                |
|---|------------------------|--------------------------|--------|---|----------------|
| THIS DRAWING CONTAINS INFORMATION THAT IS PROPRIETARY TO MOLEX ELECTRONIC TECHNOLOGIES, LLC AND SHOULD NOT BE USED WITHOUT WRITTEN PERMISSION |                        | CURRENT REV DESC:        |        | <b>molex</b>                                  |                |
| DIMENSION UNITS   | SCALE                  |                          |        |   |                |
| mm  | NTS                    |                          |        | 0.4 B-TO-B CONN. H = 1.8 / 2.3<br>J-BEND REC. |                |
| GENERAL TOLERANCES (UNLESS SPECIFIED)   |                        | EC NO: 638555            |        | PRODUCT CUSTOMER DRAWING                      |                |
| ANGULAR TOL   | ± °                    | DRWN: BKBAE 2020/05/15   |        | DOCUMENT NUMBER                               |                |
| 4 PLACES  | ±                      | CHK'D: SHCHU 2020/05/29  |        | SD-500913-001                                 |                |
| 3 PLACES  | ±                      | APPR: SHCHU 2020/06/01   |        | DOC TYPE DOC PART REVISION                    |                |
| 2 PLACES  | ±                      | INITIAL REVISION:        |        | PSD 001 G                                     |                |
| 1 PLACE   | ±                      | DRWN: RSUMIYA 2004/04/19 |        |   |                |
| 0 PLACES  | ±                      | APPR: MSASAO 2004/04/22  |        |   |                |
| DRAFT WHERE APPLICABLE MUST REMAIN WITHIN DIMENSIONS  | THIRD ANGLE PROJECTION | DRAWING                  | SERIES | MATERIAL NUMBER                               | CUSTOMER       |
|   |                        | A3-SIZE                  | 500913 | SEE CHART                                     | GENERAL MARKET |
|   |                        |                          |        | SHEET NUMBER                                  |                |
|   |                        |                          |        | 1 OF 2  |                |

# MATE : 500913 WITH 55909

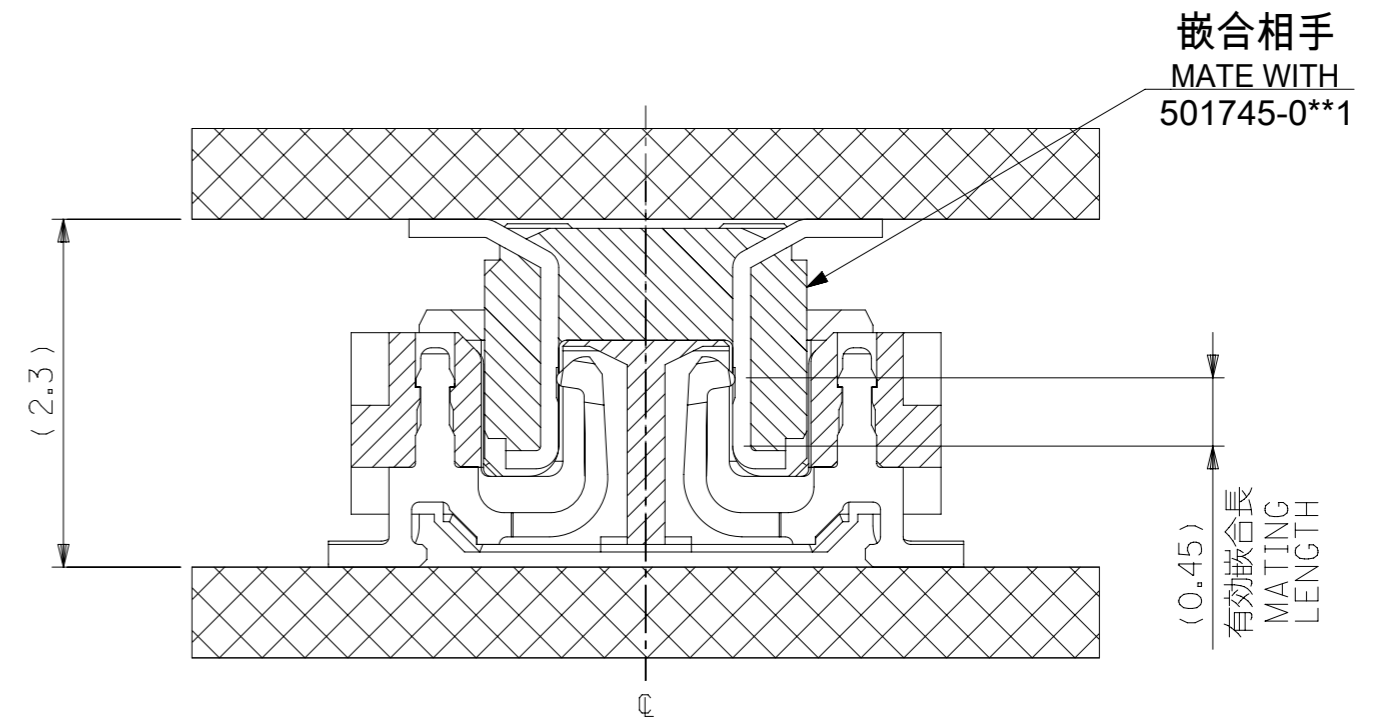


嵌合断面図 (参考)  
MATED DRAWING (REFERENCE)



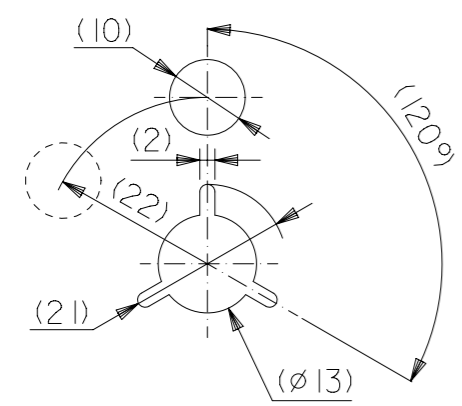
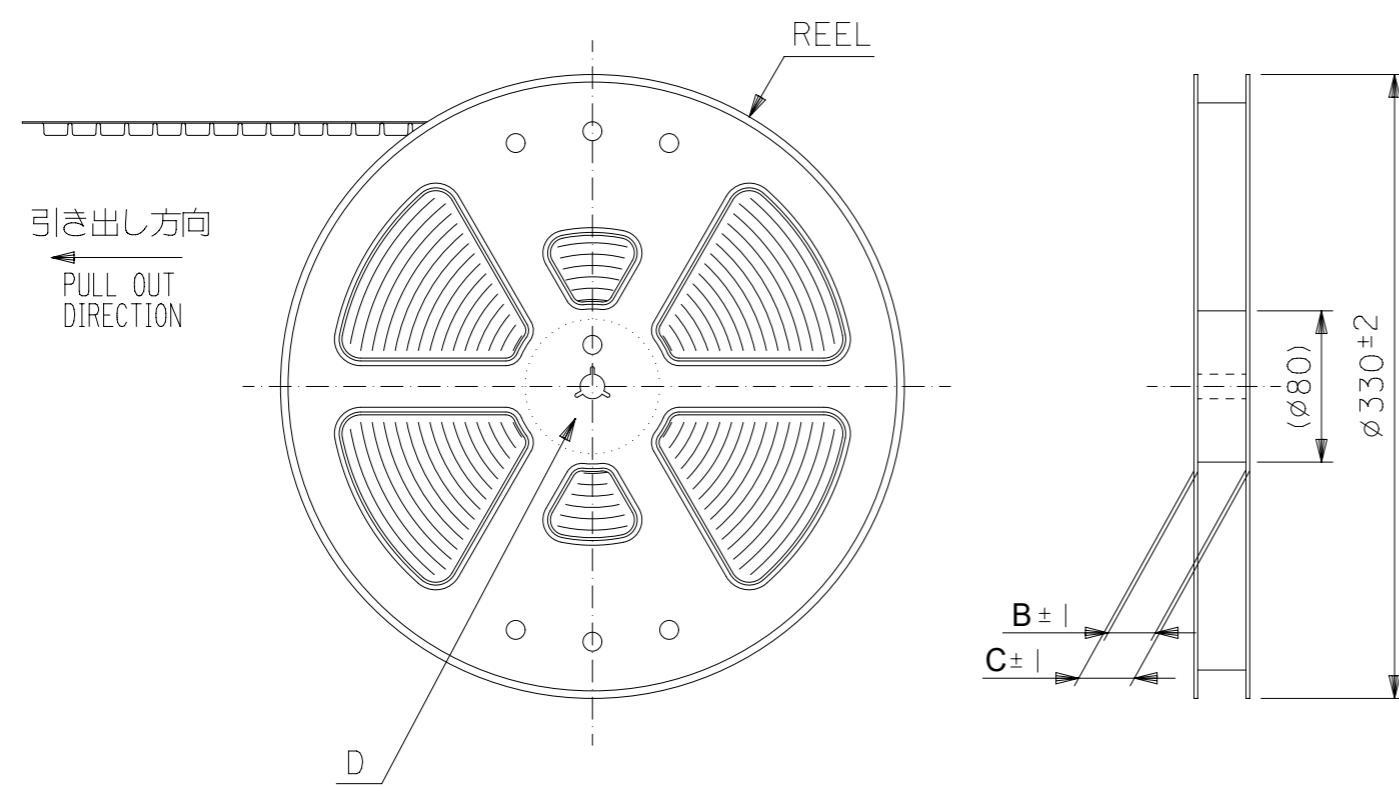
参考基板レイアウト (マウント面)  
P.C.BOARD PATTERN DIMENSION. (REFERENCE)  
(MOUNTING AREA)

# MATE : 500913 WITH 501745



嵌合断面図 (参考)  
MATED DRAWING (REFERENCE)

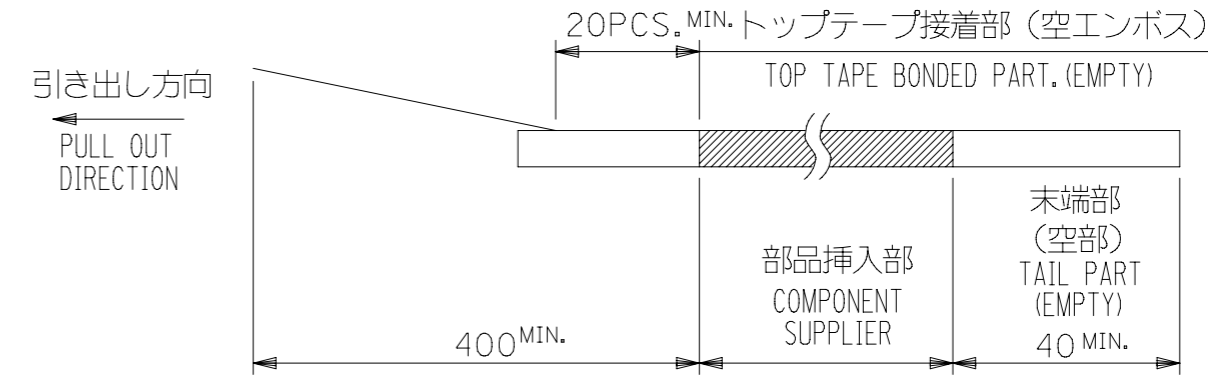
|   |       |                        |         |                 |                 |   |              |
|---|-------|------------------------|---------|-----------------|-----------------|---|--------------|
| THIS DRAWING CONTAINS INFORMATION THAT IS PROPRIETARY TO MOLEX ELECTRONIC TECHNOLOGIES, LLC AND SHOULD NOT BE USED WITHOUT WRITTEN PERMISSION |       | CURRENT REV DESC:      |         | <b>molex</b>    |                 |   |              |
| DIMENSION UNITS   | SCALE |                        |         |                 |                 | 0.4 B-TO-B CONN. H = 1.8 / 2.3<br>J-BEND REC. |              |
| mm  | NTS   |                        |         |                 |                 |   |              |
| GENERAL TOLERANCES (UNLESS SPECIFIED)   |       | EC NO: 638555          |         | 2020/05/15      |                 |   |              |
| ANGULAR TOL ± °   |       | DRWN: BKBAE            |         | 2020/05/29      |                 |   |              |
| 4 PLACES ±  |       | CHK'D: SHCHU           |         | 2020/06/01      |                 |   |              |
| 3 PLACES ±  |       | APPR: SHCHU            |         |                 |                 |   |              |
| 2 PLACES ±  |       | INITIAL REVISION:      |         | DOCUMENT NUMBER |                 |   |              |
| 1 PLACE ±   |       | DRWN: RSUMIYA          |         | SD-500913-001   |                 |   |              |
| 0 PLACES ±  |       | APPR: MSASAO           |         | PSD 001 G       |                 |   |              |
| DRAFT WHERE APPLICABLE MUST REMAIN WITHIN DIMENSIONS  |       | THIRD ANGLE PROJECTION | DRAWING | SERIES          | MATERIAL NUMBER | CUSTOMER                                      | SHEET NUMBER |
|   |       |                        | A3-SIZE | 500913          | SEE CHART1      | GENERAL MARKET                                | 2 OF 2       |



DETAIL D

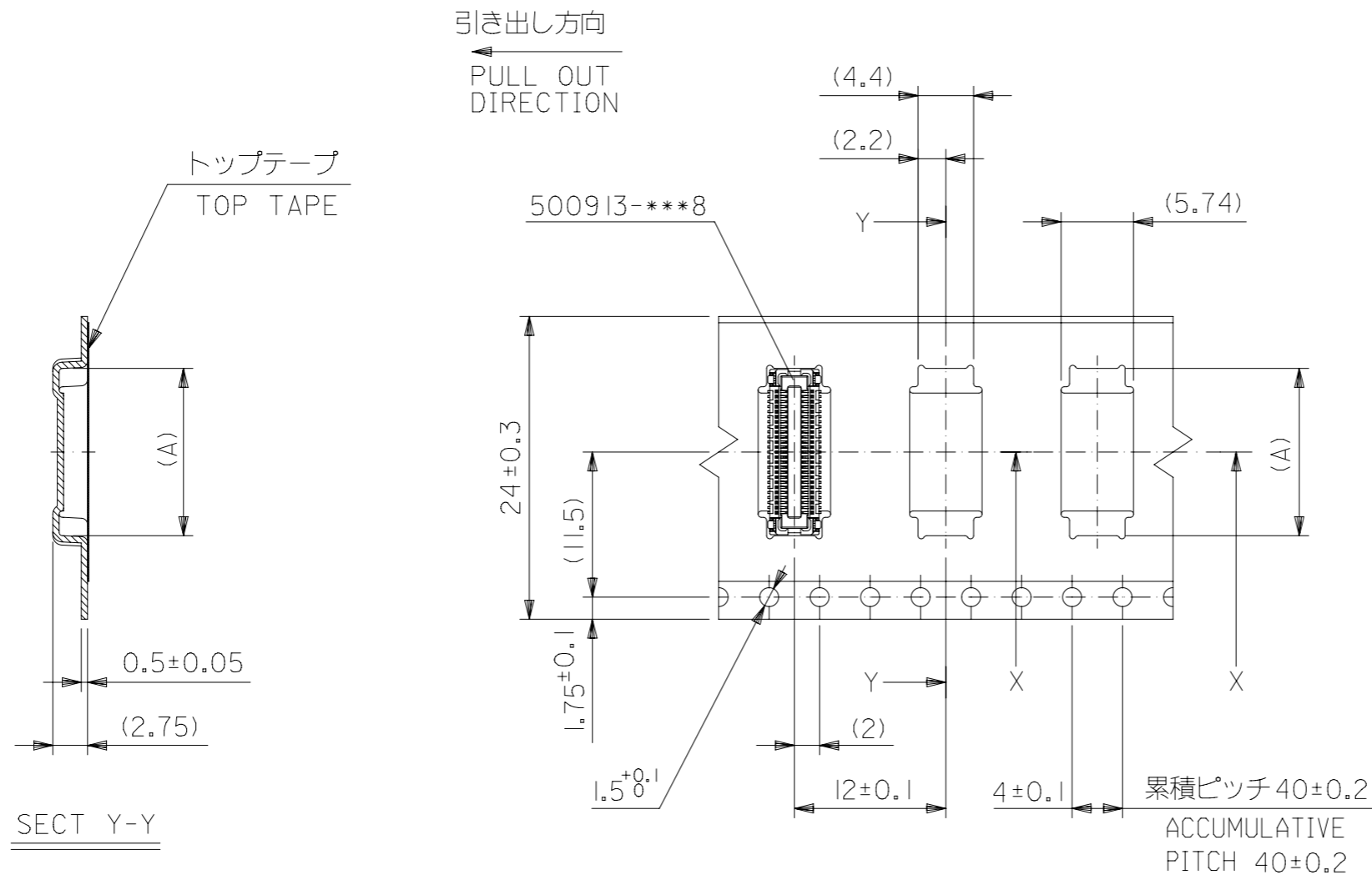
NOTES

- 製品詳細寸法については製品単体図面 SD-500913-001 を参照下さい。  
DETAIL DIMENSIONS, SEE PRODUCT DRAWING. NO. SD-500913-001.
- 梱包数量：1500個/リール  
NUMBER OF CONNECTORS : 1500PCS/REEL
- リードテープ長さ LEAD TAPE LENGTH  
20PCS. MIN. トップテープ接着部 (空エンボス)  
TOP TAPE BONDED PART. (EMPTY)



- 材料 MATERIAL  
キャリアテープ (CARRIER TAPE) : ポリプロピレン (POLYPROPYLENE)  
トップテープ (TOPTAPE) : PET, PE, PEF  
リール (REEL) : ポリスチレン (PS) <リサイクル材を含む>  
POLYSTYRENE (PS) <RECYCLE MATERIAL CONTAINED>

|   |                        |                          |        |                          |                |
|---|------------------------|--------------------------|--------|--------------------------|----------------|
| THIS DRAWING CONTAINS INFORMATION THAT IS PROPRIETARY TO MOLEX ELECTRONIC TECHNOLOGIES, LLC AND SHOULD NOT BE USED WITHOUT WRITTEN PERMISSION |                        | CURRENT REV DESC:        |        | <b>molex</b>             |                |
| DIMENSION UNITS   | SCALE                  |                          |        |                          |                |
| mm  | NTS                    |                          |        | PRODUCT CUSTOMER DRAWING |                |
| GENERAL TOLERANCES (UNLESS SPECIFIED)   |                        | EC NO: 638555            |        | DOCUMENT NUMBER          |                |
| ANGULAR TOL   | ± °                    | DRWN: BKBAE 2020/05/15   |        | SD-500913-002            |                |
| 4 PLACES  | ±                      | CHK'D: SHCHU 2020/05/29  |        | DOC TYPE                 | DOC PART       |
| 3 PLACES  | ±                      | APPR: SHCHU 2020/06/01   |        | PSD                      | 001            |
| 2 PLACES  | ±                      | INITIAL REVISION:        |        | REVISION                 | F              |
| 1 PLACE   | ±                      | DRWN: RSUMIYA 2004/04/19 |        |                          |                |
| 0 PLACES  | ±                      | APPR: MSASAO 2004/04/22  |        |                          |                |
| DRAFT WHERE APPLICABLE MUST REMAIN WITHIN DIMENSIONS  | THIRD ANGLE PROJECTION | DRAWING                  | SERIES | MATERIAL NUMBER          | CUSTOMER       |
|   |                        | A3-SIZE                  | 500913 | SEE CHART                | GENERAL MARKET |
|   |                        |                          |        | SHEET NUMBER             |                |
|   |                        |                          |        | 1 OF 4                   |                |

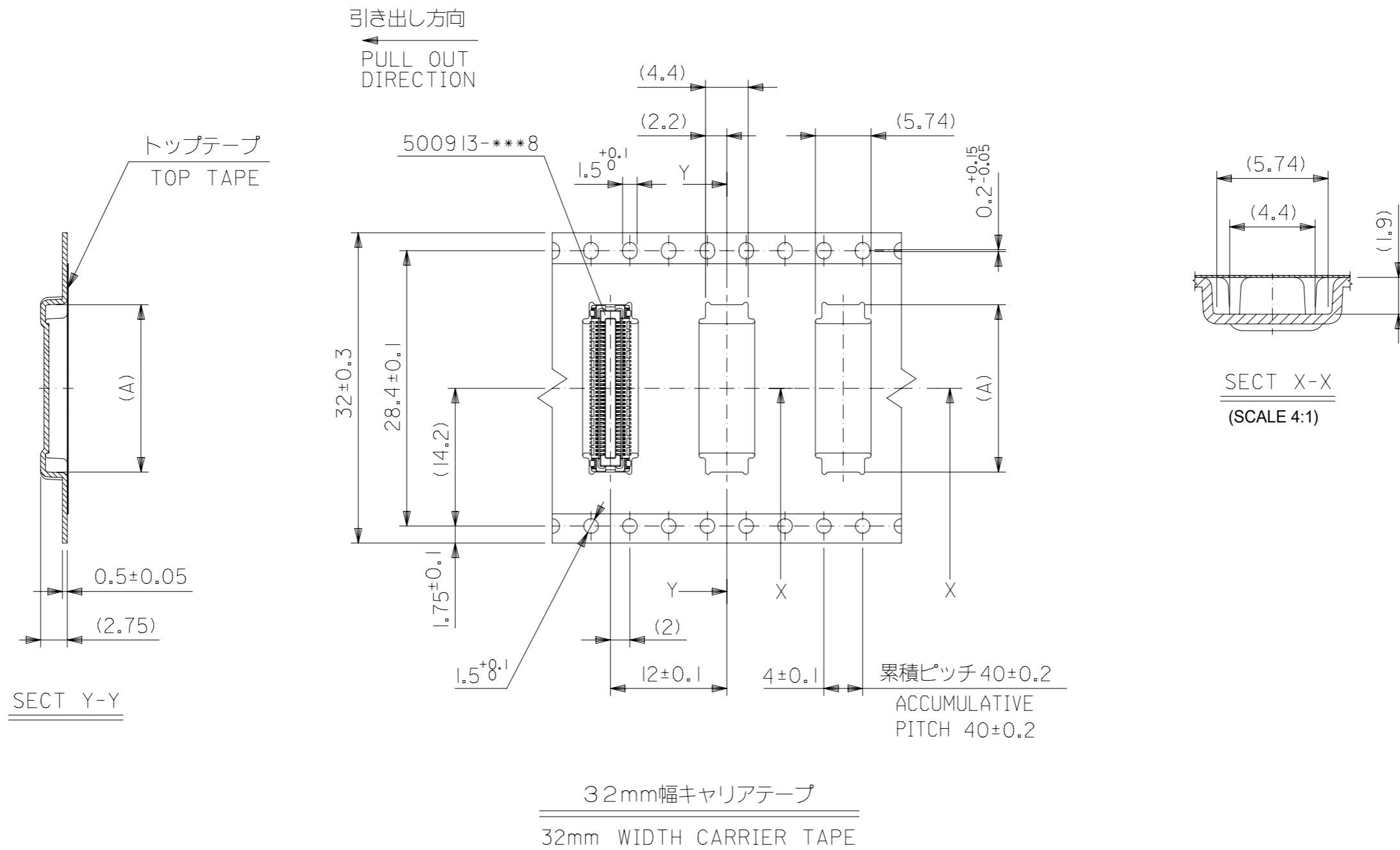


24mm幅キャリアテープ  
24mm WIDTH CARRIER TAPE

|                                |      |      |       |              |         |
|--------------------------------|------|------|-------|--------------|---------|
| 24                             | 29.4 | 25.4 | 15.26 | 500913-0602  | 60      |
|                                |      |      | 13.26 | 500913-0502  | 50      |
|                                |      |      | 11.26 | 500913-0402  | 40      |
|                                |      |      | 9.26  | 500913-0302  | 30      |
|                                |      |      | 8.06  | 500913-0242  | 24      |
| キャリアテープ幅<br>CARRIER TAPE WIDTH | C    | B    | (A)   | MATERIAL NO. | CIRCUIT |

500913-\*\*\*2 MODEL NO.

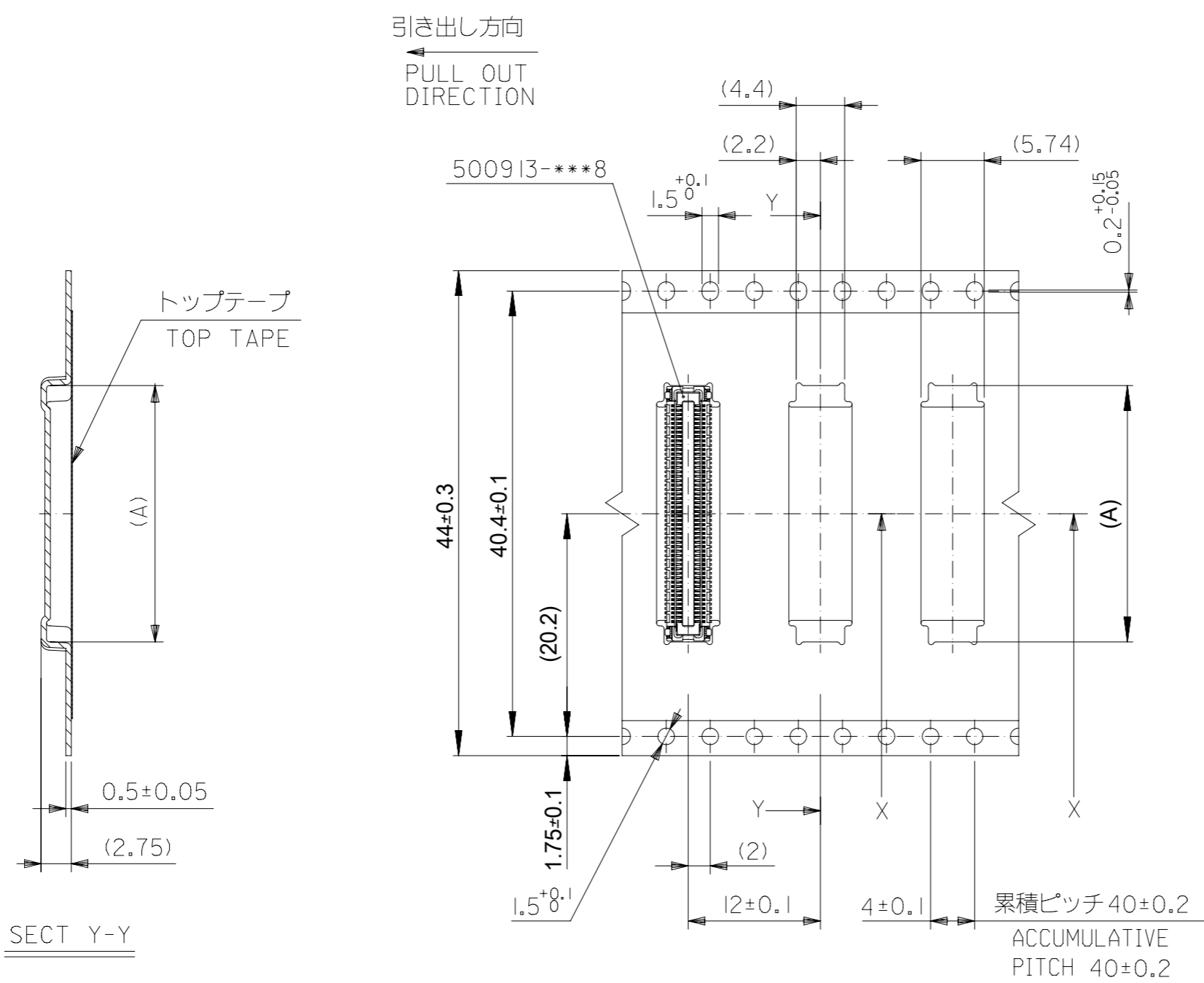
|   |              |                          |         |                            |              |
|---|--------------|--------------------------|---------|----------------------------|--------------|
| THIS DRAWING CONTAINS INFORMATION THAT IS PROPRIETARY TO MOLEX ELECTRONIC TECHNOLOGIES, LLC AND SHOULD NOT BE USED WITHOUT WRITTEN PERMISSION |              | CURRENT REV DESC:        |         | <b>molex</b>               |              |
| DIMENSION UNITS<br>mm   | SCALE<br>NTS |                          |         |                            |              |
| GENERAL TOLERANCES (UNLESS SPECIFIED)   |              | EC NO: 638555            |         | PRODUCT CUSTOMER DRAWING   |              |
| ANGULAR TOL ± °   |              | DRWN: BKBAE 2020/05/15   |         | DOCUMENT NUMBER            |              |
| 4 PLACES ±  |              | CHK'D: SHCHU 2020/05/29  |         | SD-500913-002              |              |
| 3 PLACES ±  |              | APPR: SHCHU 2020/06/01   |         | DOC TYPE DOC PART REVISION |              |
| 2 PLACES ±  |              | INITIAL REVISION:        |         | PSD 001 F                  |              |
| 1 PLACE ±   |              | DRWN: RSUMIYA 2004/04/19 |         | MATERIAL NUMBER            |              |
| 0 PLACES ±  |              | APPR: MSASAO 2004/04/22  |         | CUSTOMER                   |              |
| DRAFT WHERE APPLICABLE MUST REMAIN WITHIN DIMENSIONS  |              | THIRD ANGLE PROJECTION   | DRAWING | SERIES                     | SHEET NUMBER |
|   |              |                          | A3-SIZE | 500913                     | 2 OF 4       |



|                                |      |      |       |              |         |
|--------------------------------|------|------|-------|--------------|---------|
| 32                             | 41.4 | 37.4 | 21.26 | 500913-0902  | 90      |
|                                | 37.4 | 33.4 | 17.26 | 500913-0702  | 70      |
| キャリアテープ幅<br>CARRIER TAPE WIDTH | C    | B    | (A)   | MATERIAL NO. | CIRCUIT |
| 500913-***2                    |      |      |       | MODEL NO.    |         |

|   |              |   |            |                 |          |
|---|--------------|---|------------|-----------------|----------|
| THIS DRAWING CONTAINS INFORMATION THAT IS PROPRIETARY TO MOLEX ELECTRONIC TECHNOLOGIES, LLC AND SHOULD NOT BE USED WITHOUT WRITTEN PERMISSION |              |   |            |                 |          |
| DIMENSION UNITS<br>mm   | SCALE<br>NTS | CURRENT REV DESC:   |            |                 |          |
| GENERAL TOLERANCES (UNLESS SPECIFIED)   |              | <p><b>molex</b></p> <p>0.4 B-TO-B CONN. H = 1.8 / 2.3<br/>J-BEND REC.</p> <p>PRODUCT CUSTOMER DRAWING</p> |            |                 |          |
| ANGULAR TOL   | ± °          |   |            |                 |          |
| 4 PLACES  | ±            |   |            |                 |          |
| 3 PLACES  | ±            |   |            |                 |          |
| 2 PLACES  | ±            |   |            |                 |          |
| 1 PLACE   | ±            |   |            |                 |          |
| 0 PLACES  | ±            | EC NO: 638555   | 2020/05/15 | DOCUMENT NUMBER |          |
| DRAFT WHERE APPLICABLE MUST REMAIN WITHIN DIMENSIONS  |              | DRWN: BKBAE   | 2020/05/29 | SD-500913-002   |          |
| THIRD ANGLE PROJECTION  |              | CHK'D: SHCHU  | 2020/06/01 | DOC TYPE        | DOC PART |
| DRAWING   |              | APPR: MSASAO  | 2004/04/19 | 001             | F        |
| SERIES  |              | INITIAL REVISION:   | 2004/04/22 | REVISION        |          |
| MATERIAL NUMBER   |              | DRWN: RSUMIYA   |            | SHEET NUMBER    |          |
| CUSTOMER  |              | APPR: MSASAO  |            | 3 OF 4          |          |
| SEE CHART1  |              | GENERAL MARKET  |            |                 |          |





44 mm幅キャリアテープ  
44 mm WIDTH CARRIER TAPE

|                                |      |      |       |              |         |
|--------------------------------|------|------|-------|--------------|---------|
| 44                             | 49.4 | 45.4 | 23.26 | 500913-1002  | 100     |
| キャリアテープ幅<br>CARRIER TAPE WIDTH | C    | B    | (A)   | MATERIAL NO. | CIRCUIT |
| 500913-***2                    |      |      |       | MODEL NO.    |         |

|   |              |   |                 |                        |            |
|---|--------------|---|-----------------|------------------------|------------|
| THIS DRAWING CONTAINS INFORMATION THAT IS PROPRIETARY TO MOLEX ELECTRONIC TECHNOLOGIES, LLC AND SHOULD NOT BE USED WITHOUT WRITTEN PERMISSION |              |   |                 |                        |            |
| DIMENSION UNITS<br>mm   | SCALE<br>NTS | CURRENT REV DESC:   |                 |                        |            |
| GENERAL TOLERANCES (UNLESS SPECIFIED)   |              | <p><b>molex</b></p> <p>0.4 B-TO-B CONN. H = 1.8 / 2.3<br/>J-BEND REC.</p> <p>PRODUCT CUSTOMER DRAWING</p> |                 |                        |            |
| ANGULAR TOL   | ± °          |   |                 |                        |            |
| 4 PLACES  | ±            |   |                 |                        |            |
| 3 PLACES  | ±            |   |                 |                        |            |
| 2 PLACES  | ±            |   |                 |                        |            |
| 1 PLACE   | ±            |   |                 |                        |            |
| 0 PLACES  | ±            | EC NO: 638555   | 2020/05/15      | DRWN: BKBAE            | 2020/05/29 |
| DRAFT WHERE APPLICABLE MUST REMAIN WITHIN DIMENSIONS  |              | CHK'D: SHCHU  | 2020/06/01      | APPR: SHCHU            | 2020/06/01 |
| THIRD ANGLE PROJECTION  |              | INITIAL REVISION:   | DOCUMENT NUMBER | DOC TYPE               | DOC PART   |
| DRAWING<br>A3-SIZE  |              | DRWN: RSUMIYA   | SD-500913-002   | PSD                    | 001        |
| SERIES<br>500913  |              | APPR: MSASAO  | 2004/04/19      | REVISION               | F          |
| MATERIAL NUMBER<br>SEE CHART1   |              | CUSTOMER<br>GENERAL MARKET  |                 | SHEET NUMBER<br>4 OF 4 |            |