



产品编号 : [5011937000](#)

Product Description : 1.00mm Pitch, Pico-Clasp Female Crimp Terminal, Gold Flash Plating, 28-32 AWG, Reel

系列号 : 501193

状态 : Active

Product Category : Crimp Terminals



---

## 文件和资源

### 图纸

[图纸 5011937000\\_sd.pdf](#)

### 3D 模型和设计文件

[3D模型 5011937000\\_stp.zip](#)

### Specifications

[应用规格 5011890000-AS-000.pdf](#)

[应用规格 5011890000-AS-001.pdf](#)

[应用规格 5013300000-AS-000.pdf](#)

[应用规格 5013300000-AS-001.pdf](#)

[包装规格 SPK-501193-001-001.pdf](#)

[产品规格 5011890000-PS-001.pdf](#)

[产品规格 5011890000-PS-002.pdf](#)

[产品规格 5011891000-PS-001.pdf](#)

[5011891000-PS-002.pdf](#)

[5011891000-PS-JAP-001.pdf](#)

[5013300000-PS-002.pdf](#)

[5013300000-PS-004.pdf](#)

[5013301000-PS-002.pdf](#)

[5013301000-PS-004.pdf](#)

[5013301000-PS-CHI-002.pdf](#)

[5013301000-PS-JAP-002.pdf](#)

[5019390000-PS-001.pdf](#)

[5019390000-PS-003.pdf](#)

[5019391000-PS-001.pdf](#)

[5019391000-PS-003.pdf](#)

[5019391000-PS-CHI-001.pdf](#)

[5019391000-PS-JAP-001.pdf](#)

### Tooling Specifications

[5780163700ATP-E-000.pdf](#)

[5780163700ATS-000.pdf](#)

ATP-578016-6000E-001.pdf  
ATP-578016-6000JE-001.pdf  
5780163700ATP-J-000.pdf  
5780163700ATS-J-000.pdf  
CS-501193-001-001.pdf

---

## Product Environment Compliance

### Compliance

China RoHS	Product not active
EU ELV	Product not active
Low-Halogen Status	Product not active
REACH SVHC	Product not active
EU RoHS	Product not active

### Multiple Part Product Compliance Statements

- Eu RoHS
- REACH SVHC
- Low-Halogen

### Multiple Part Industry Compliance Documents

- IPC 1752A Class C
- IPC 1752A Class D
- Molex Product Compliance Declaration
- IEC-62474
- chemSHERPA (xml)

### EU RoHS Certificate of Compliance

---

## Part Details

### General

Status	Obsolete
Series	93604
UPC	887191879857

### Physical

Net Weight	2611.000/g
------------	------------

---

## Application Tooling

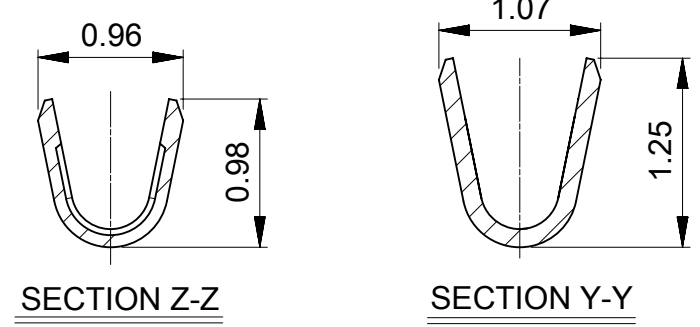
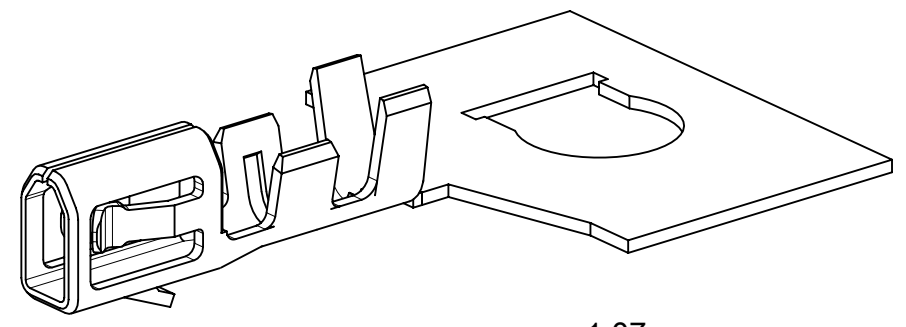
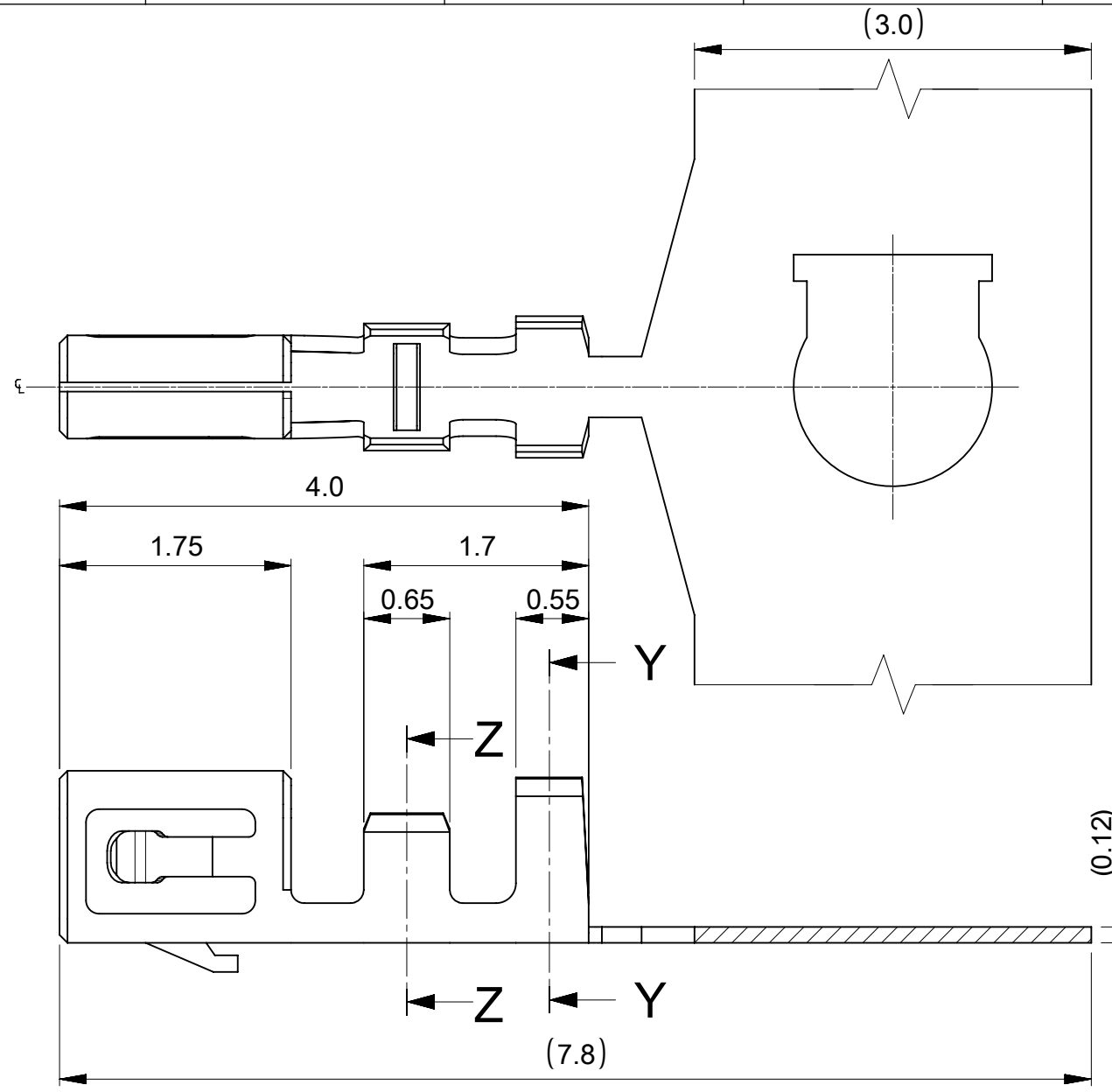
## Global

Description	Part Number
Extraction Tool for Pico-Clasp Wire-to-Board Terminals, 28-32 AWG	<u>0638131700</u>
Hand Crimp Tool for 1.00mm Wire-to-Board Crimp Terminal, 28-32 AWG Wire	<u>0638191500</u>
FineAdjust Applicator for 1.00mm Pitch Wire-to-Board Crimp Terminal	<u>0639019400</u>
T2 Terminator Die for 1.00mm Pitch Wire-to-Board Crimp Terminal	<u>0639119400</u>

## Application Tooling

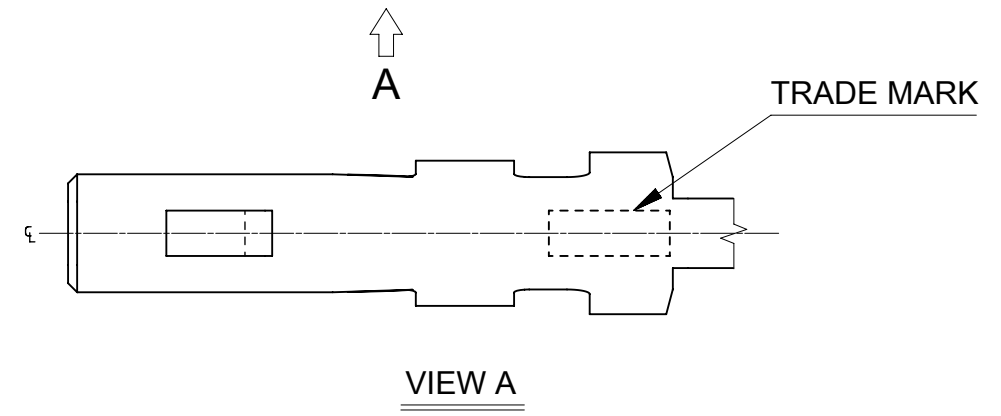
### Japan

Description	Part Number
S-1 Applicator for Pico-Clasp Receptacle Terminals, 28-32 AWG	<u>5780163700</u>



**NOTES:**

1. めっき仕様：表参照  
PLATING:SEE TABLE
- △ 適合製品及び各種仕様書についてはSHEET 2及び SHEET 3を御参照ください。  
PLEASE REFER TO SHEET 2 OR SHEET 3 FOR APPLICABLE PRODUCT AND VARIOUS SPECIFICATIONS.
3. 本製品は金めっき品である。  
錫めっき品は5013340000-SD/PSD/000を御参照ください。  
THIS PRODUCT IS GOLD PLATED.  
PLEASE REFER TO 5013340000-SD/PSD/000 FOR TIN PLATED.



∅0.4-0.8mm	AWG#28-32	リール REEL	連鎖状 CHAIN	501193 9000	0.76 μm MIN
				501193 8000	0.38 μm MIN
				501193 7000	FLASH
絶縁被覆外径範囲 INS. RANGE	適用電線範囲 WIRE RANGE	梱包形態 PACKAGING	端子形状 FORM	発注番号 ORDER No.	接点部 金めっき厚 GOLD PLATING THICKNESS OF CONTACT

部品 PART	材質 MATERIAL
母材 MATERIAL	りん青銅 PHOSPHOR BRONZE
接点部 CONTACT	金めっき：めっき厚は表参照のこと GOLD PLATING：SEE TABLE FOR PLATING THICKNESS
下地めっき UNDER PLATING	ニッケルめっき NICKEL PLATING

THIS DRAWING CONTAINS INFORMATION THAT IS PROPRIETARY TO MOLEX ELECTRONIC TECHNOLOGIES, LLC AND SHOULD NOT BE USED WITHOUT WRITTEN PERMISSION

CURRENT REV DESC: REVISED

**molex**

PICO-CLASP 1.0 WTB CONN  
CRIMP TERMINAL GOLD PLATING

PRODUCT CUSTOMER DRAWING

EC NO: 658660  
DRWN: MIKEDA01 2021/03/19  
CHK'D: SAKIYAMA 2021/04/06  
APPR: KOMURAKAMI 2021/04/06

INITIAL REVISION:  
DRWN: AISHIKAWA 2018/12/19  
APPR: SAKIYAMA 2019/01/28

DOCUMENT NUMBER: 5011930000-SD  
DOC TYPE: PSD  
DOC PART: 000  
REVISION: D

DRAFT WHERE APPLICABLE  
MUST REMAIN  
WITHIN DIMENSIONS

THIRD ANGLE PROJECTION

DRAWING: A3-SIZE  
SERIES: 501193  
MATERIAL NUMBER: 501193\*000  
CUSTOMER: GENERAL  
SHEET NUMBER: 1 OF 3

△ 適合製品及び各種仕様書 (標準仕様)  
**APPLICABLE PRODUCTS AND VARIOUS SPECIFICATIONS (STANDARD TYPE)**

圧着端子 梱包仕様書 PACKAGING SPECIFICATION OF CRIMP TERMINAL	PART NUMBER	SPECIFICATION NUMBER
	501193 7000 / 8000 / 9000	SPK-501193-001

列 ROW	SINGLE											
適合ハウジング APPLICABLE HOUSING	INNER LOCK						OUTER LOCK					
シリーズ番号 SERIES No.	501330						501939					
適合嵌合相手 MATE WITH	SMT						SMT					
	VERTICAL			RIGHT ANGLE			VERTICAL			RIGHT ANGLE		
	GOLD PLATING (THICKNESS)			GOLD PLATING (THICKNESS)			GOLD PLATING (THICKNESS)			GOLD PLATING (THICKNESS)		
	0.1μm MIN	0.38μm MIN	0.76μm MIN	0.1μm MIN	0.38μm MIN	0.76μm MIN	0.1μm MIN	0.38μm MIN	0.76μm MIN	0.1μm MIN	0.38μm MIN	0.76μm MIN
シリーズ番号 SERIES No.	504449	203556	203557	202396	203558	203559	501940	203560	203561	501953	203562	203563
製品仕様書 PRODUCT SPECIFICATION	5013300000-PS 002						5019390000-PS 001					
取扱説明書 APPLICATION SPECIFICATION	5013300000-AS 000											

列 ROW	DUAL					
適合ハウジング APPLICABLE HOUSING	INNER LOCK					
シリーズ番号 SERIES No.	501189					
適合嵌合相手 MATE WITH	SMT					
	VERTICAL			RIGHT ANGLE		
	GOLD PLATING (THICKNESS)			GOLD PLATING (THICKNESS)		
	0.1μm MIN	0.38μm MIN	0.76μm MIN	0.1μm MIN	0.38μm MIN	0.76μm MIN
シリーズ番号 SERIES No.	501190	203564	203565	501571	203566	203567
製品仕様書 PRODUCT SPECIFICATION	5011890000-PS 001					
取扱説明書 APPLICATION SPECIFICATION	5011890000-AS 000					

※製品嵌合図は各"適合嵌合相手"図面参照のこと  
 MATING VIEW : REFER TO EACH "MATE WITH" PART DRAWING

THIS DRAWING CONTAINS INFORMATION THAT IS PROPRIETARY TO MOLEX ELECTRONIC TECHNOLOGIES, LLC AND SHOULD NOT BE USED WITHOUT WRITTEN PERMISSION											
DIMENSION UNITS	SCALE	CURRENT REV DESC: REVISED									
mm	NTS	<b>molex</b>									
GENERAL TOLERANCES (UNLESS SPECIFIED)											
ANGULAR TOL	± 3.0 °	PICO-CLASP 1.0 WTB CONN CRIMP TERMINAL GOLD PLATING									
4 PLACES	± 0.2										
3 PLACES	± 0.2	PRODUCT CUSTOMER DRAWING									
2 PLACES	± 0.2										
1 PLACE	± 0.2	DOCUMENT NUMBER: 5011930000-SD									
0 PLACES	± 0.2										
DRAFT WHERE APPLICABLE MUST REMAIN WITHIN DIMENSIONS		THIRD ANGLE PROJECTION	DRAWING	SERIES	MATERIAL NUMBER	CUSTOMER	SHEET NUMBER				
			A3-SIZE	501193	501193*000	GENERAL	2 OF 3				

△ 適合製品及び各種仕様書 (ローハロゲン仕様)  
**APPLICABLE PRODUCTS AND VARIOUS SPECIFICATIONS (LOW HALOGEN TYPE)**

列 ROW	SINGLE											
適合ハウジング APPLICABLE HOUSING	INNER LOCK						OUTER LOCK					
シリーズ番号 SERIES No.	501330						501939					
適合嵌合相手 MATE WITH	SMT						SMT					
	VERTICAL			RIGHT ANGLE			VERTICAL			RIGHT ANGLE		
	GOLD PLATING (THICKNESS)			GOLD PLATING (THICKNESS)			GOLD PLATING (THICKNESS)			GOLD PLATING (THICKNESS)		
	0.1μm MIN	0.38μm MIN	0.76μm MIN	0.1μm MIN	0.38μm MIN	0.76μm MIN	0.1μm MIN	0.38μm MIN	0.76μm MIN	0.1μm MIN	0.38μm MIN	0.76μm MIN
シリーズ番号 SERIES No.	208381 ***7	208381 ***5	208381 ***3	208387 ***7	208387 ***5	208387 ***3	208383 ***7	208383 ***5	208383 ***3	208385 ***7	208385 ***5	208385 ***3
製品仕様書 PRODUCT SPECIFICATION	5013300000-PS 004						5019390000-PS 003					
取扱説明書 APPLICATION SPECIFICATION	5013300000-AS 001											

列 ROW	DUAL					
適合ハウジング APPLICABLE HOUSING	INNER LOCK					
シリーズ番号 SERIES No.	501189					
適合嵌合相手 MATE WITH	SMT					
	VERTICAL			RIGHT ANGLE		
	GOLD PLATING (THICKNESS)			GOLD PLATING (THICKNESS)		
	0.1μm MIN	0.38μm MIN	0.76μm MIN	0.1μm MIN	0.38μm MIN	0.76μm MIN
シリーズ番号 SERIES No.	208391 ***7	208391 ***5	208391 ***3	208393 ***7	208393 ***5	208393 ***3
製品仕様書 PRODUCT SPECIFICATION	5011890000-PS 002					
取扱説明書 APPLICATION SPECIFICATION	5011890000-AS 001					

※製品嵌合図は各"適合嵌合相手"図面参照のこと  
 MATING VIEW : REFER TO EACH "MATE WITH" PART DRAWING

THIS DRAWING CONTAINS INFORMATION THAT IS PROPRIETARY TO MOLEX ELECTRONIC TECHNOLOGIES, LLC AND SHOULD NOT BE USED WITHOUT WRITTEN PERMISSION											
DIMENSION UNITS	SCALE	CURRENT REV DESC: REVISED						<b>molex</b>			
mm	NTS							PICO-CLASP 1.0 WTB CONN CRIMP TERMINAL GOLD PLATING			
GENERAL TOLERANCES (UNLESS SPECIFIED)											
ANGULAR TOL ± 3.0°											
4 PLACES ± 0.2											
3 PLACES ± 0.2											
2 PLACES ± 0.2											
1 PLACE ± 0.2											
0 PLACES ± 0.2											
EC NO: 658660						DRWN: MIKEDA01 2021/03/19					
CHK'D: SAKIYAMA						APPR: KOMURAKAMI 2021/04/06					
INITIAL REVISION:						DOCUMENT NUMBER					
DRWN: AISHIKAWA 2018/12/19						5011930000-SD					
APPR: SAKIYAMA 2019/01/28						DOC TYPE		DOC PART		REVISION	
DRAFT WHERE APPLICABLE MUST REMAIN WITHIN DIMENSIONS						THIRD ANGLE PROJECTION		DRAWING		SHEET NUMBER	
A3-SIZE						501193		501193*000		GENERAL 3 OF 3	