



产品编号 : 5015714007

系列号 : 501571

Product Category : PCB Headers and Receptacles

Product Description : 1.00mm Pitch, Pico-Clasp PCB Header, Dual Row, Right-Angle, Surface Mount, 0.10µm Gold Plated, Inner Positive Lock, 40 Circuits, Natural

状态 : Active

文件和资源

图纸

图纸 5015714007_sd.pdf

3D 模型和设计文件

2D 图纸 DXF 5015714007.dxf

2D 图纸 DXF PDF 5015714007.pdf

3D模型 5015714007_stp.zip

规格

应用规格 5011890000-AS-000.pdf

包装规格 5015719200-SPK-200.pdf

产品规格 5011890000-PS-001.pdf


产品规格 5011891000-PS-001.pdf

产品规格 5011891000-PS-CHI-001.pdf

产品规格 5011891000-PS-JAP-001.pdf

产物环境合规

合规

GADSL/IMDS	Compliant with Exemption 44; 33
China RoHS	
EU ELV	Not Relevant
Low-Halogen Status	Not Low-Halogen per IEC 61249-2-21
REACH SVHC	Not Contained per D(2023)8585-DC (23 Jan 2024)
EU RoHS	Compliant per EU 2015/863

多部分产品合规性声明

- Eu RoHS

- REACH SVHC
- Low-Halogen
- IPC 1752A Class C
- IPC 1752A Class D
- Molex Product Compliance Declaration
- IEC-62474
- chemSHERPA (xml)

欧盟 RoHS 合格证书

产品详情

常规

状态	活动
类别	PCB Headers and Receptacles
系列	501571
说明	1.00mm Pitch, Pico-Clasp PCB Header, Dual Row, Right-Angle, Surface Mount, 0.10µm Gold Plated, Inner Positive Lock, 40 Circuits, Natural
应用	Signal, Wire-to-Board
元件类型	PCB Header
产品系列	Pico-Clasp Wire-to-Board Connectors
产品名称	Pico-Clasp
UPC	822348828388

机构

UL	E29179
----	--------

电气

每触点最大电流	1.0A
电压 - 最大	100V AC (RMS)/DC

物理

断开	否
回路数 (已载入)	40
电路数 (最多)	40

颜色-树脂	Natural
耐用性(插拔次数) - 最多次数	30
先接后断	否
符合灼热丝规范	否
可配插产品指南	否
插接极性	无
锁定插接部位	是
材料 - 金属	Phosphor Bronze
材料 - 接合部位电镀	金牌
材料 - 终端电镀	金牌
材料 - 树脂	Nylon
净重	1084.000/mg
行数	2
方向	Right Angle
包装形式	Embossed Tape on Reel
PCB 定位器	否
PCB 保持力	是
间距 - 插配接口	1.00mm
间距 - 终端界面	1.00mm
最薄镀层 - 接合部位	0.102µm
最薄镀层 - 端接	0.102µm
有极性的插配件	是
PCB 极性	是
有护墙的	是
可堆叠的	否
运行温度范围	-40° to +105° C
终端界面类型	Surface Mount

可配插/可连接使用的产品

可配插部件

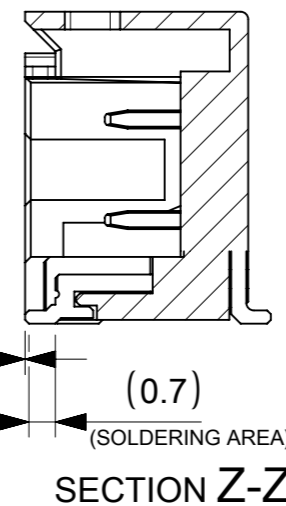
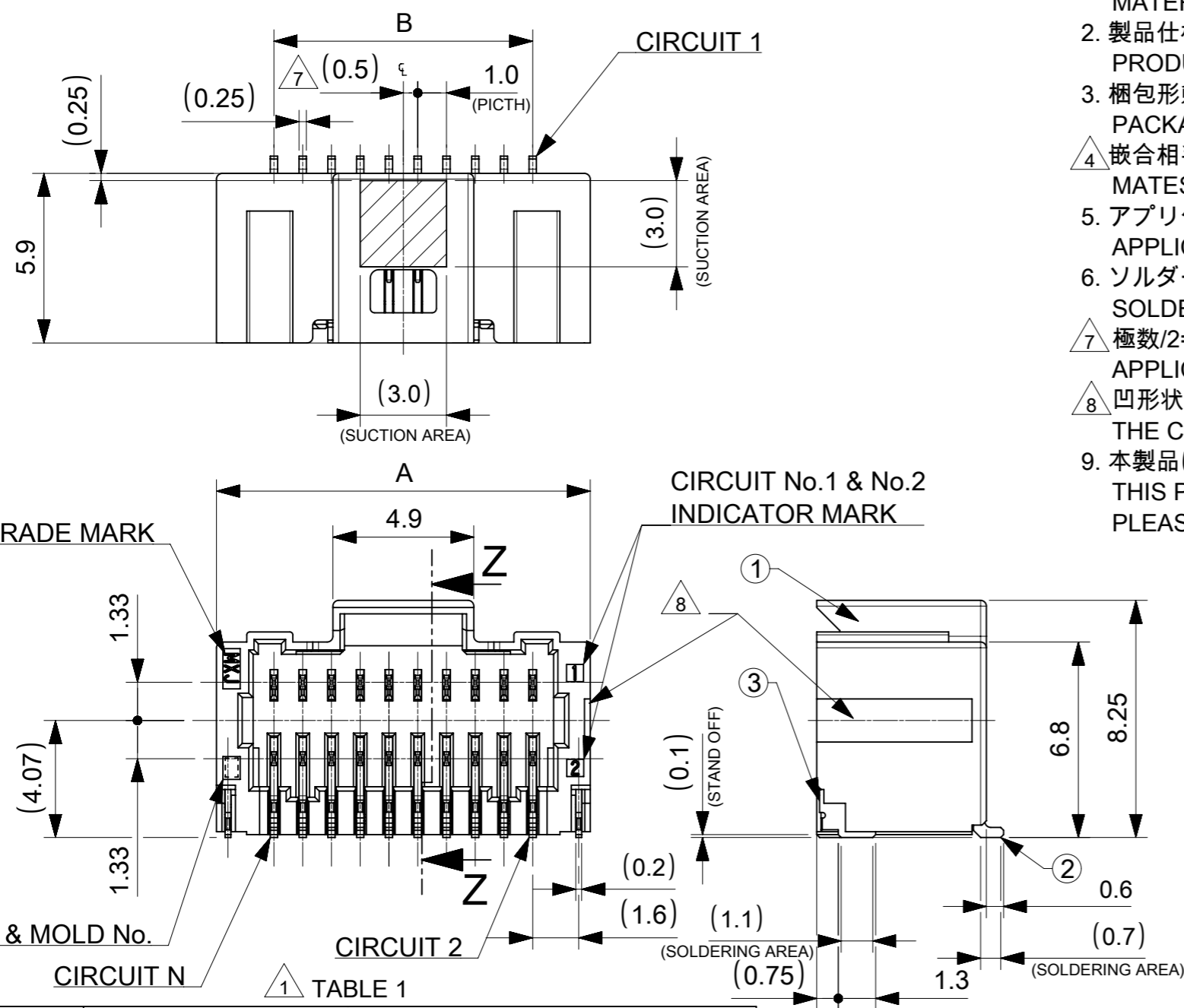
描述	产品编号
Pico-Clasp Low-Halogen Dual Row Receptacle Housings	<u>501189</u>

This document was generated on Jun 04, 2024

NOTES

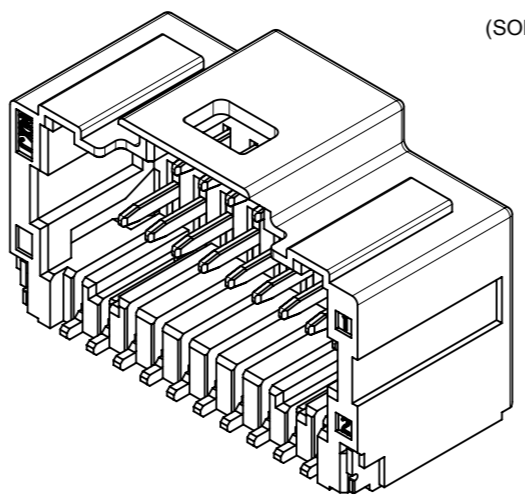
- ① 材料及び仕上げ(めっき仕様) : TABLE 1 参照
MATERIAL AND FINISHES : SEE TABLE 1
- 2. 製品仕様書 : PS-501571-001
PRODUCT SPECIFICATION:
- 3. 梱包形態 : SEE SHEET 3
PACKAGING INFORMATION:
- ④ 嵌合相手 : 501189 シリーズ
MATES WITH:501189 SERIES
- 5. アプリケーション仕様書(コネクタ取扱い説明書) : 5011890000-AS A00(JAPANESE)/A01(ENGLISH)
APPLICATION SPECIFICATION(CONNECTOR MANUAL):
- 6. ソルダーピン及びネイルの平坦度:0.1 MAX.
SOLDER PIN AND NAIL COPLANARITY: 0.1 MAX.
- ⑦ 極数/2=偶数に適用
APPLICABLE FOR CIRCUIT SIZE/2=EVEN
- ⑧ 凹形状はキャビティにより、反対側面に存在します。
THE CONCAVE AREA TO BE SET ON THE REVERSE SIDE DEPENDING ON THE MOLDING CAVITY.
- 9. 本製品は複数の金めっき厚を展開しております。その他の金めっき厚は以下の図面を御参照下さい。
THIS PRODUCT EXIST MULTIPLE GOLD PLATING.
PLEASE REFER TO THE FOLLOWING DRAWING FOR OTHER GOLD PLATING THICKNESS.

GOLD PLATING THICKNESS [micro-meter MIN.]	SERIES No.	DRAWING No.
0.38	203566	2035660000-SD PSD 000
0.76	203567	2035670000-SD PSD 000



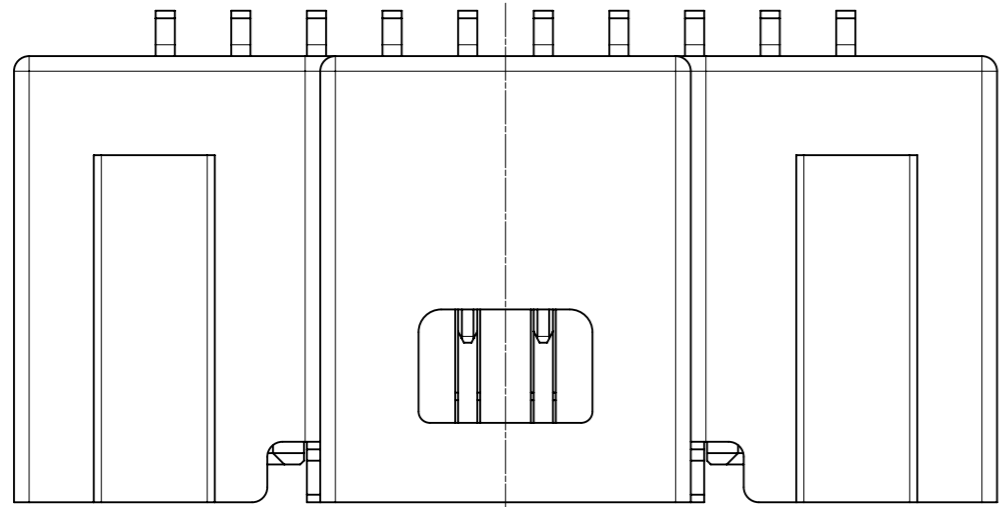
		極数
B	A	CIRCUIT SIZE
24.0	28.0	50
19.0	23.0	40
14.0	18.0	30
9.0	13.0	20

番号 NO.	部品 PART	材質 MATERIAL	
①	ウエハー WAFER	ポリアミド(PA), UL94V-0, 色 : SEE SHEET 5 POLYAMIDE(PA), UL94V-0, COLOR : SEE SHEET 5	
②	ソルダーピン SOLDER PIN	リン青銅 PHOSPHOR BRONZE	
		接点部 CONTACT AREA	金めっき : 0.1 MICRO-METER MIN. GOLD PLATING
		テール部 TAIL AREA	金めっき : 0.1 MICRO-METER MIN. GOLD PLATING
	下地めっき UNDER PLATING	ニッケルめっき : 1.0 MICRO-METER MIN. NICKEL	
③	ネイル NAIL	黄銅 BRASS	
		テール部 TAIL AREA	錫めっき : 1.0 MICRO-METER MIN. MATTE TIN PLATING
		下地めっき UNDER PLATING	ニッケルめっき : 1.0 MICRO-METER MIN. NICKEL

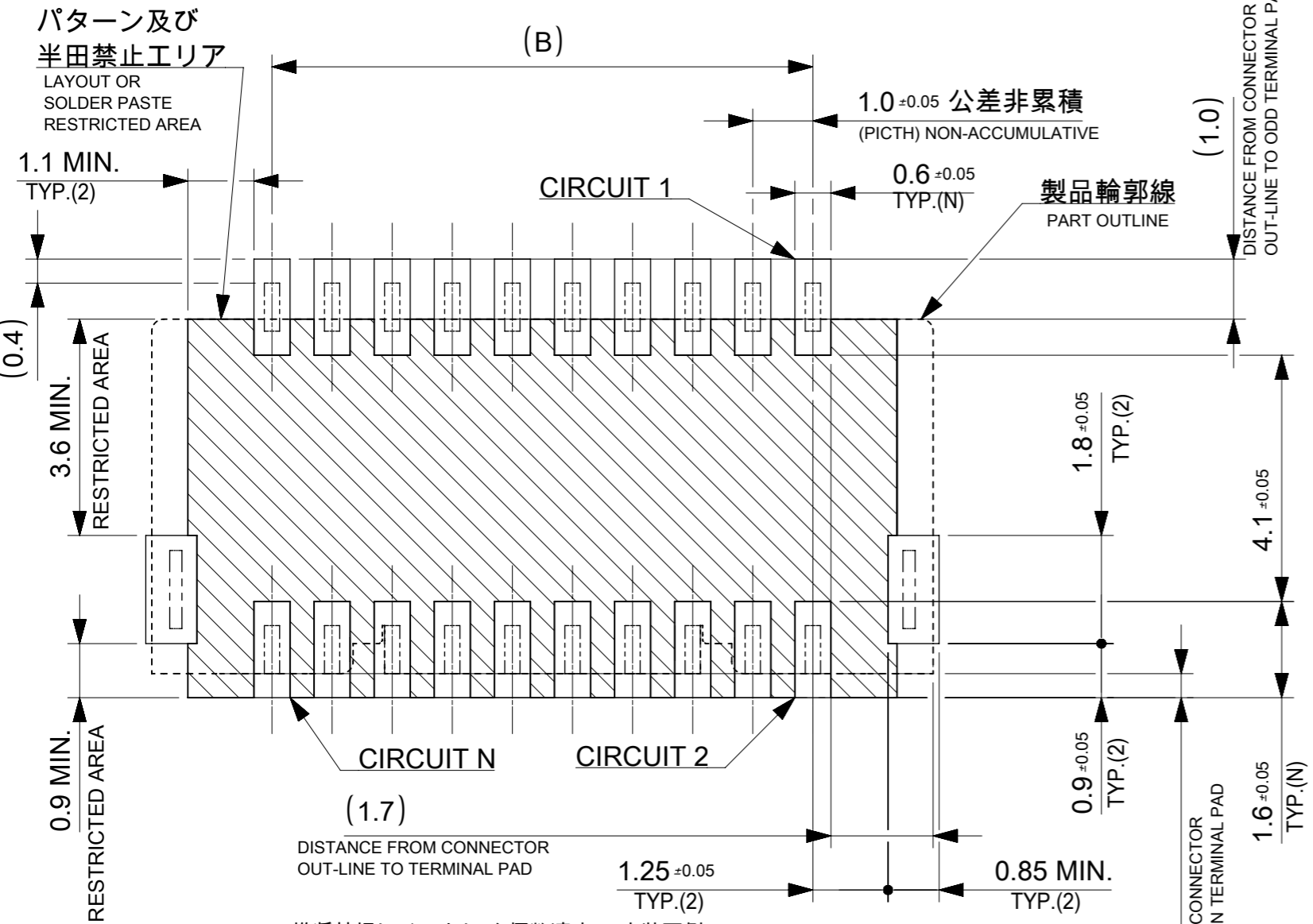


THIS DRAWING CONTAINS INFORMATION THAT IS PROPRIETARY TO MOLEX ELECTRONIC TECHNOLOGIES, LLC AND SHOULD NOT BE USED WITHOUT WRITTEN PERMISSION

DIMENSION UNITS	SCALE	CURRENT REV DESC:	molex		
mm	NTS				
GENERAL TOLERANCES (UNLESS SPECIFIED)			PICO-CLASP 1.0 W/B DUAL ROW RA SMT GOLD PLATING 0.1 MICRO-METER		
ANGULAR TOL	± 3.0°	EC NO: 614725	PRODUCT CUSTOMER DRAWING		
4 PLACES	± 0.2	DRWN: AISHIKAWA 2019/03/20	DOCUMENT NUMBER		
3 PLACES	± 0.2	CHK'D: AIDA 2019/04/03	DOC TYPE DOC PART REVISION		
2 PLACES	± 0.2	APPR: KOMURAKAMI 2019/04/03	5015710000-SD PSD 000 A		
1 PLACE	± 0.2	INITIAL REVISION:	MATERIAL NUMBER CUSTOMER SHEET NUMBER		
0 PLACES	± 0.2	DRWN: AISHIKAWA 2019/03/20	SEE SHEET 5		
DRAFT WHERE APPLICABLE MUST REMAIN WITHIN DIMENSIONS		THIRD ANGLE PROJECTION	DRAWING	SERIES	
			A3-SIZE	501571	



製品レイアウト
PRODUCT LAYOUT

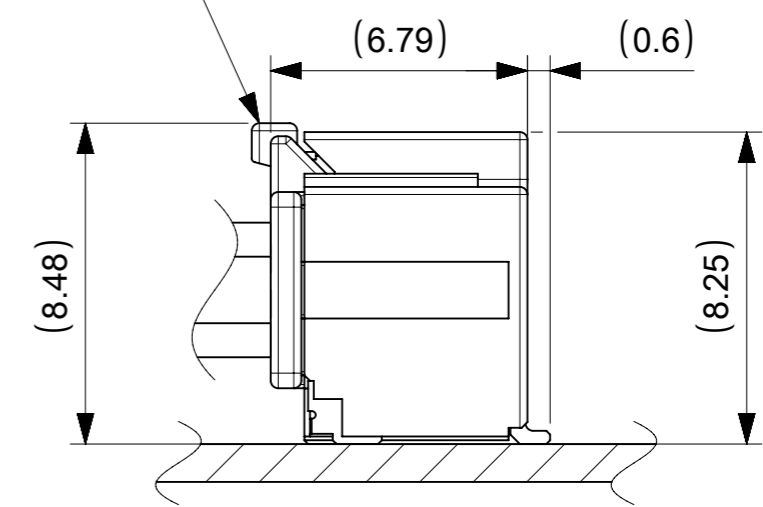
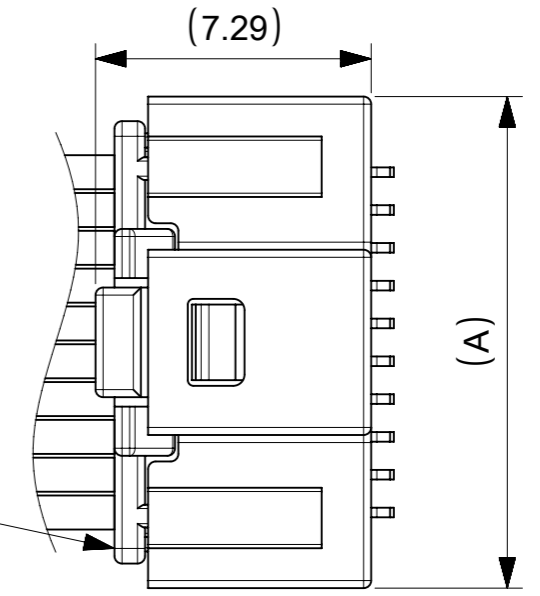


推奨基板レイアウト(全極数適応) : 実装面側
(参考 : 基板厚 1.0mm, メタルマスク厚さ 0.12mm, マスク開口率100%)

POLARIZED RECOMMENDED PCB LAYOUT(APPLY TO ALL CIRCUIT) : COMPONENT SIDE
(REFERENCE: PCB THICKNESS 1.0mm, STENCIL THICKNESS 0.12mm, APERTURE RATIO 100%)

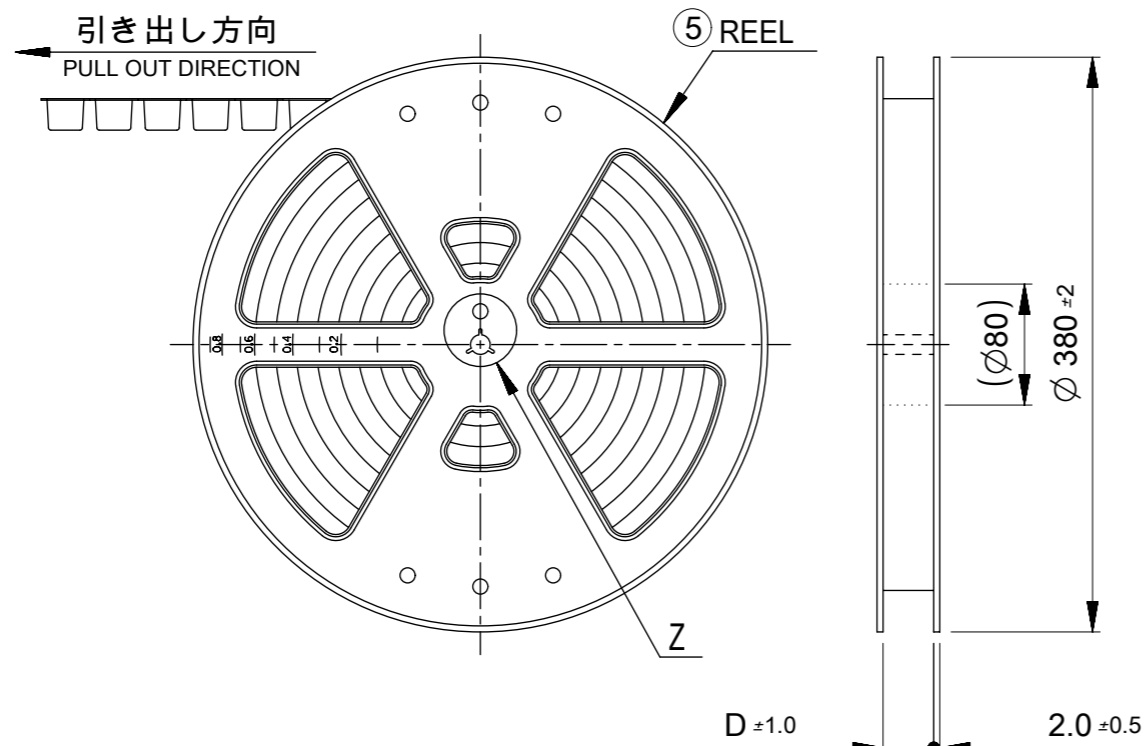
:パターン禁止エリア
RESTRICTED AREA
NO PCB COMPONENTS ALLOWED

△4 嵌合相手:501189シリーズ
MATE WITH : 501189 SERIES



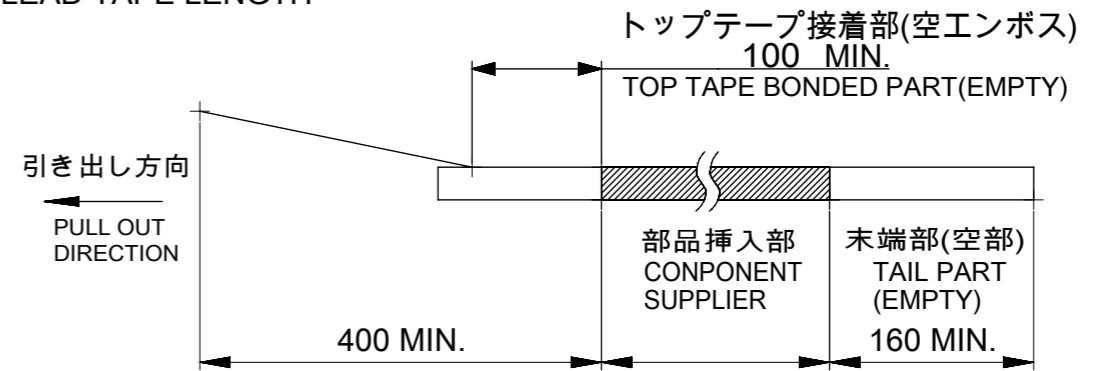
嵌合図
MATED CONNECTORS

THIS DRAWING CONTAINS INFORMATION THAT IS PROPRIETARY TO MOLEX ELECTRONIC TECHNOLOGIES, LLC AND SHOULD NOT BE USED WITHOUT WRITTEN PERMISSION		CURRENT REV DESC:			
DIMENSION UNITS	SCALE				
mm	NTS			PICO-CLASP 1.0 W/B DUAL ROW RA SMT GOLD PLATING 0.1 MICRO-METER	
GENERAL TOLERANCES (UNLESS SPECIFIED)		EC NO: 614725		DOCUMENT NUMBER	
ANGULAR TOL	± 3.0 °	DRWN: AISHIKAWA	2019/03/20	5015710000-SD	
4 PLACES	± 0.2	CHK'D: AIDA	2019/04/03	DOC TYPE	DOC PART
3 PLACES	± 0.2	APPR: KOMURAKAMI	2019/04/03	PSD	000
2 PLACES	± 0.2	INITIAL REVISION:		REVISION	A
1 PLACE	± 0.2	DRWN: AISHIKAWA	2019/03/20	MATERIAL NUMBER	
0 PLACES	± 0.2	APPR: KOMURAKAMI	2019/04/03	CUSTOMER	
DRAFT WHERE APPLICABLE MUST REMAIN WITHIN DIMENSIONS		THIRD ANGLE PROJECTION	DRAWING	SERIES	SHEET NUMBER
			A3-SIZE	501571	2 OF 5

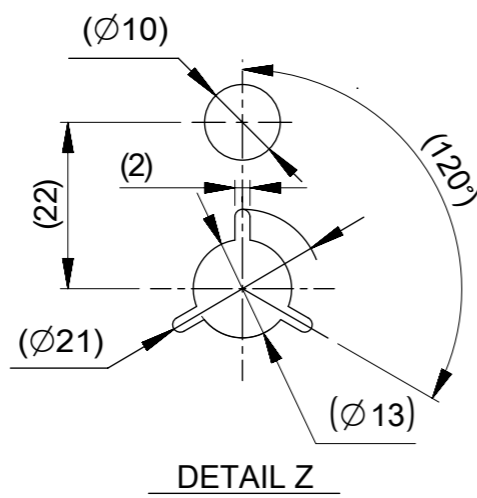


NOTES

- 10. 梱包数量:800個/リール
NUMBER OF CONNECTORS : 800 PIECES/REEL
- 11. リードテープ長さ
LEAD TAPE LENGTH



- 12. トップテープの剥離強度はIEC60286-3に準拠。
TOP TAPE PEELING FORCE IS DEFINED BY IEC60286-3.
- 13. 梱包仕様書 : SPK-501571-001
PACKAGE SPECIFICATION:
- 14. 発注番号 : SHEET 5 参照
ORDER No. : PLEASE REFER TO SHEET 5 FOR PRODUCT LIST.



501571

** ** *

極数 CIRCUIT SIZE	ハウジングカラー HOUSING COLOR	製品識別番号 IDENTIFICATION NUMBER
	0:NATURAL(BEIGE)	7:EMBOSSED PACKAGE

45.5	50
	40
33.5	30
25.5	20
D	極数 CIRCUIT SIZE

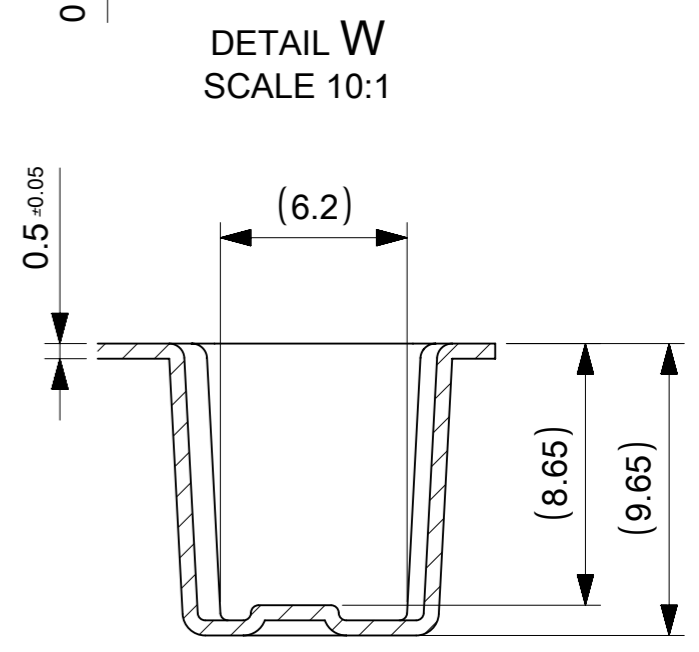
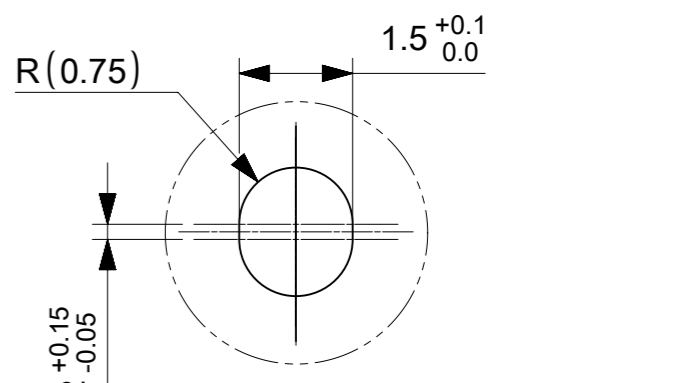
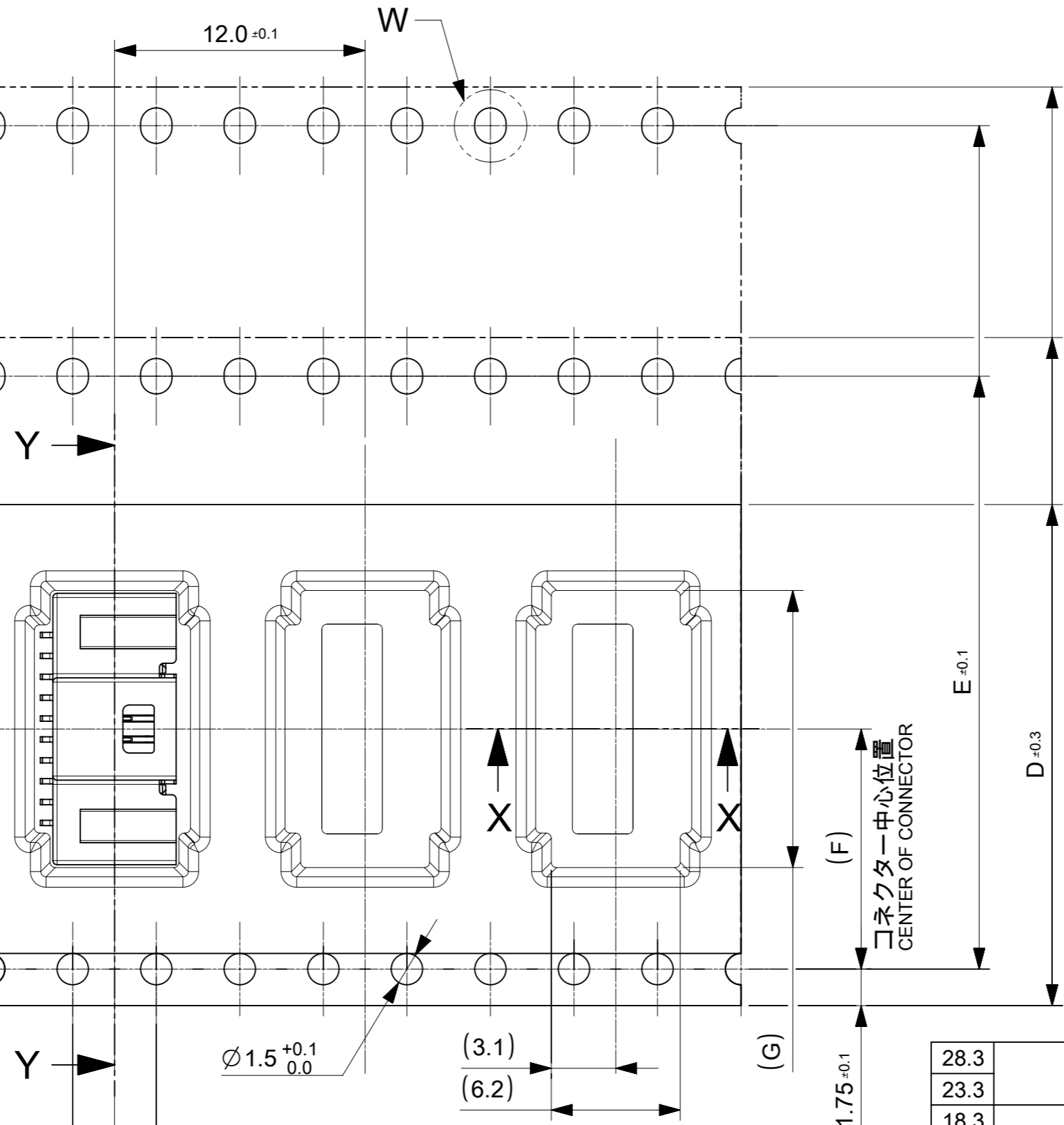
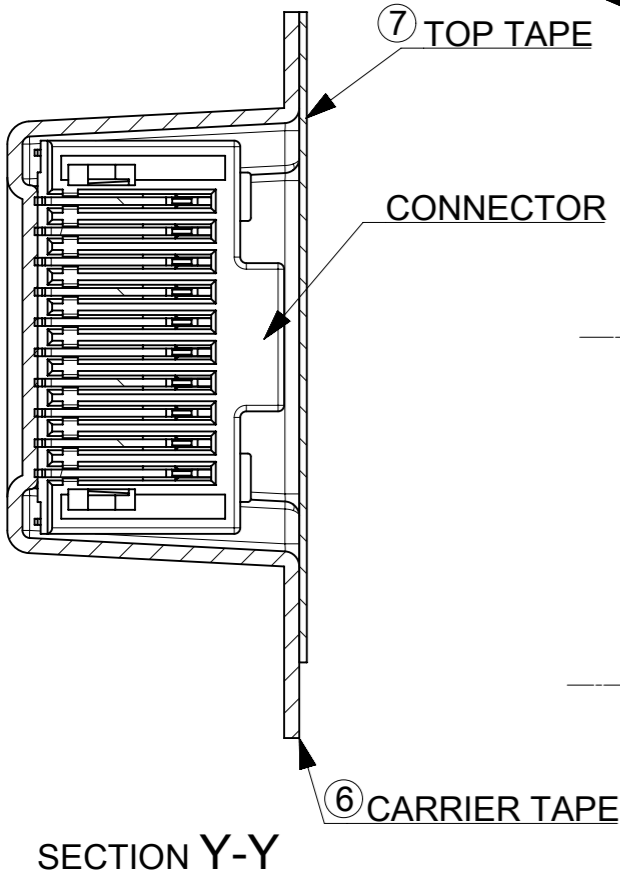
THIS DRAWING CONTAINS INFORMATION THAT IS PROPRIETARY TO MOLEX ELECTRONIC TECHNOLOGIES, LLC AND SHOULD NOT BE USED WITHOUT WRITTEN PERMISSION		CURRENT REV DESC:		molex	
DIMENSION UNITS	SCALE				
mm	NTS			PICO-CLASP 1.0 W/B DUAL ROW RA SMT GOLD PLATING 0.1 MICRO-METER	
GENERAL TOLERANCES (UNLESS SPECIFIED)		EC NO: 614725		DOCUMENT NUMBER	
ANGULAR TOL	± 3.0 °	DRWN: AISHIKAWA	2019/03/20	5015710000-SD	
4 PLACES	± 0.2	CHK'D: AIDA	2019/04/03	DOC TYPE	DOC PART
3 PLACES	± 0.2	APPR: KOMURAKAMI	2019/04/03	000	A
2 PLACES	± 0.2	INITIAL REVISION:		REVISION	
1 PLACE	± 0.2	DRWN: AISHIKAWA	2019/03/20		
0 PLACES	± 0.2	APPR: KOMURAKAMI	2019/04/03		
DRAFT WHERE APPLICABLE MUST REMAIN WITHIN DIMENSIONS		THIRD ANGLE PROJECTION	DRAWING	SERIES	MATERIAL NUMBER
		⊕	A3-SIZE	501571	CUSTOMER
				SEE SHEET 5	SHEET NUMBER
					3 OF 5

番号 NO.	部品 PART	材質 MATERIAL
⑤	リール REEL	ポリスチレン(PS) <リサイクル材を含む> POLYSTYRENE(PS) <RECYCLE MATERIAL CONTAINED>
DOCUMENT STATUS	P1	RELEASE DATE 2019/04/03 09:49:00

44mm幅テープ
TAPE WIDTH:44mm

32mm幅テープ
TAPE WIDTH:32mm

24mm幅テープ
TAPE WIDTH:24mm



28.3	20.2	40.4	44.0	50	
23.3				40	
18.3	14.2	28.4	32.0	30	
13.3	11.5	-	24.0	20	
G	コネクタ中心位置 F CENTER OF CONNECTOR		E	エンボステープ幅 D WIDTH OF TAPE	極数 CIRCUIT SIZE

累積ピッチ : 40 ± 0.2
ACUUMLATIVE PITCH:

(2.0) エンボスポケット中心位置
CENTER OF EMBOSSED POCKET

引き出し方向
PULL OUT DIRECTION

番号 NO.	部品 PART	材質 MATERIAL
⑥	キャリアテープ CARRIER TAPE	ポリプロピレン(PP)、その他 POLYPROPYLEN(PP), etc
⑦	トップテープ TOP TAPE	ポリエチレン(PE)、その他 POLYETHYLENE(PE), etc

DOCUMENT STATUS	P1	RELEASE DATE	2019/04/03	09:49:00
-----------------	----	--------------	------------	----------

THIS DRAWING CONTAINS INFORMATION THAT IS PROPRIETARY TO MOLEX ELECTRONIC TECHNOLOGIES, LLC AND SHOULD NOT BE USED WITHOUT WRITTEN PERMISSION

DIMENSION UNITS	SCALE	CURRENT REV DESC:		
mm	NTS	molex		
GENERAL TOLERANCES (UNLESS SPECIFIED)		PICO-CLASP 1.0 W/B DUAL ROW RA SMT GOLD PLATING 0.1 MICRO-METER		
ANGULAR TOL	± 3.0°	PRODUCT CUSTOMER DRAWING		
4 PLACES	± 0.2	DOCUMENT NUMBER		
3 PLACES	± 0.2	5015710000-SD		
2 PLACES	± 0.2	DOC TYPE		
1 PLACE	± 0.2	PSD		
0 PLACES	± 0.2	DOC PART		
DRAFT WHERE APPLICABLE MUST REMAIN WITHIN DIMENSIONS		REVISION		
THIRD ANGLE PROJECTION		A		
DRAWING	A3-SIZE	SERIES	MATERIAL NUMBER	CUSTOMER
		501571	SEE SHEET 5	
SHEET NUMBER		4 OF 5		

9 8 7 6 5 4 3 2 1

E

E

D

D

C

C

B

B

A

A

△14 製品一覧 PRODUCT LIST

HOUSING COLOR	
NATURAL(BEIGE)	
501571 5007	50
501571 4007	40
501571 3007	30
501571 2007	20
発注番号 ORDER No.	極数
梱包形態 : エンボスリール PACKAGE:EMBOSSED REEL	CIRCUIT SIZE

THIS DRAWING CONTAINS INFORMATION THAT IS PROPRIETARY TO MOLEX ELECTRONIC TECHNOLOGIES, LLC AND SHOULD NOT BE USED WITHOUT WRITTEN PERMISSION									
DIMENSION UNITS	SCALE	CURRENT REV DESC:			molex				
mm	NTS								
GENERAL TOLERANCES (UNLESS SPECIFIED)		EC NO: 614725			PICO-CLASP 1.0 W/B DUAL ROW RA SMT GOLD PLATING 0.1 MICROMETER				
ANGULAR TOL	± 3.0 °	DRWN: AISHIKAWA 2019/03/20			PRODUCT CUSTOMER DRAWING				
4 PLACES	± 0.2	CHK'D: AIDA 2019/04/03			DOCUMENT NUMBER				
3 PLACES	± 0.2	APPR: KOMURAKAMI 2019/04/03			5015710000-SD				
2 PLACES	± 0.2	INITIAL REVISION:			DOC TYPE				
1 PLACE	± 0.2	DRWN: AISHIKAWA 2019/03/20			PSD				
0 PLACES	± 0.2	APPR: KOMURAKAMI 2019/04/03			DOC PART				
DRAFT WHERE APPLICABLE MUST REMAIN WITHIN DIMENSIONS		THIRD ANGLE PROJECTION		DRAWING	SERIES	MATERIAL NUMBER	CUSTOMER		SHEET NUMBER
				A3-SIZE	501571	SEE SHEET 5			5 OF 5

DOCUMENT STATUS	P1	RELEASE DATE	2019/04/03 09:49:00
-----------------	----	--------------	---------------------

9 8 7 6 5 4 3 2 1

FORMAT: master-ib-prod-A3
REVISION: 11
DATE: 2018/01/18