



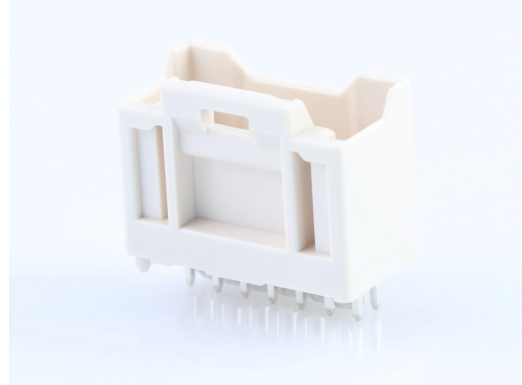
产品编号：[5016451420](#)

Product Description：2.00mm Pitch, iGrid PCB Header, Dual Row, Vertical, Through Hole, Matte Tin (Sn) Plating, Positive Lock, 14 Circuits, Tray, 3.20mm PC Tail Length, Natural, with PCB Locator

系列号：[501645](#)

状态：Active

Product Category：PCB Headers and Receptacles



文件和资源

图纸

[图纸 5016451420_sd.pdf](#)

3D 模型和设计文件

[2D 图纸 DXF 5016451420.dxf](#)

[2D 图纸 DXF PDF 5016451420.pdf](#)

[3D模型 5016451420_stp.zip](#)

规格

[应用规格 5016460000-A00.pdf](#)

[应用规格 5016460000-A01.pdf](#)

[包装规格 SPK-501645-001-001.pdf](#)

[产品规格 5016461001-PS-001.pdf](#)

[产品规格 PS-501646-001-001.pdf](#)

产物环境合规

合规

GADSL/IMDS	Compliant with Exemption 44
China RoHS	
EU ELV	Not Relevant
Low-Halogen Status	Not Low-Halogen per IEC 61249-2-21
REACH SVHC	Not Contained per D(2023)8585-DC (23 Jan 2024)
EU RoHS	Compliant per EU 2015/863

[多部分产品合规性声明](#)

- Eu RoHS
- REACH SVHC
- Low-Halogen

多部分行业合规性文件

- IPC 1752A Class C
- IPC 1752A Class D
- Molex Product Compliance Declaration
- IEC-62474
- chemSHERPA (xml)

欧盟 RoHS 合格证书

产品详情

常规

状态	活动
类别	PCB Headers and Receptacles
系列	501645
说明	2.00mm Pitch, iGrid PCB Header, Dual Row, Vertical, Through Hole, Matte Tin (Sn) Plating, Positive Lock, 14 Circuits, Tray, 3.20mm PC Tail Length, Natural, with PCB Locator
应用	Signal, Wire-to-Board
元件类型	PCB Header
产品系列	iGrid Wire-to-Board Dual-Row System
产品名称	iGrid
UPC	822350201407

机构

CSA	LR19980
UL	E29179

电气

每触点最大电流	2.0A
电压 - 最大	250V AC (RMS)/DC

物理

断开	否
回路数（已载入）	14
电路数（最多）	14
颜色-树脂	Natural
耐用性(插拔次数) - 最多次数	30
先接后断	否
阻燃性	94V-0
符合灼热丝规范	否
插接极性	是
锁定插接部位	是
材料 - 金属	Brass
材料 - 接合部位电镀	Matte Tin
材料 - 终端电镀	Matte Tin
材料 - 树脂	Polyamide
净重	1096.000/mg
行数	2
方向	垂直
包装形式	Tray
PC 焊脚长度	3.20mm
PCB 定位器	是
PCB 保持力	无
推荐的 PCB 厚度	1.20mm, 1.60mm
间距 - 插配接口	2.00mm
有极性的插配件	是
PCB 极性	是
可堆叠的	否
运行温度范围	-40° to +105° C
终端界面类型	Through Hole

可配插/可连接使用的产品

可配插部件

描述	产品编号
iGrid Dual Row Receptacle Housings	<u>501646</u>

This document was generated on Mar 25, 2024

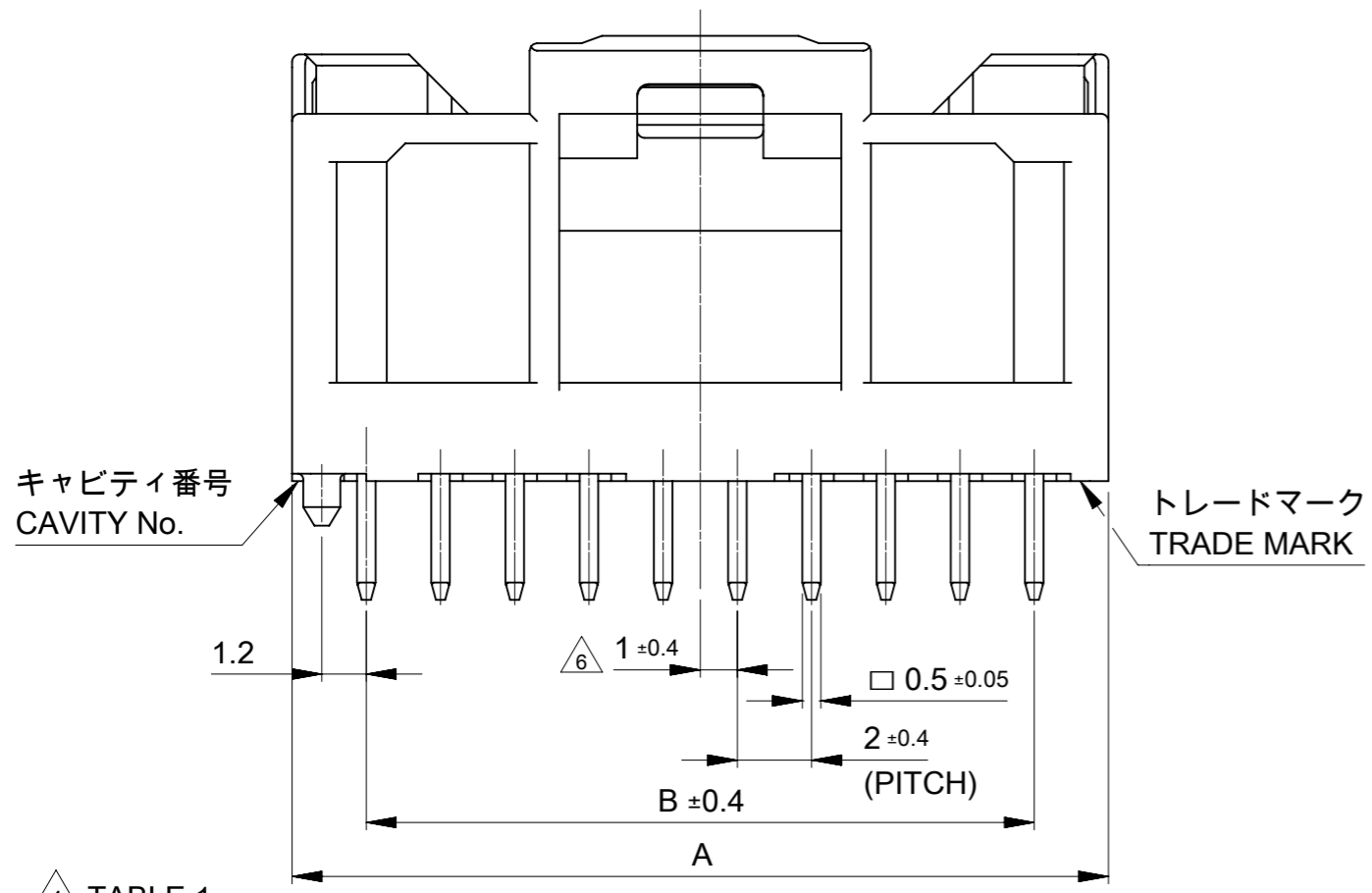
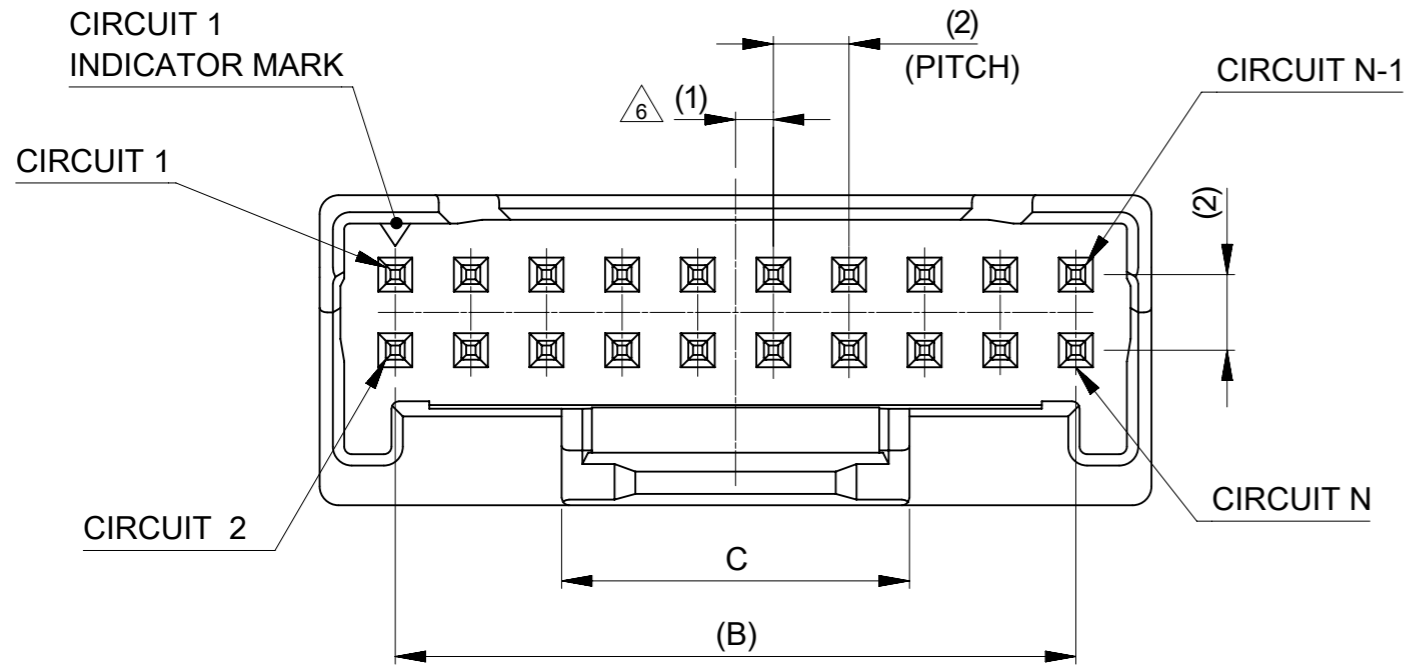
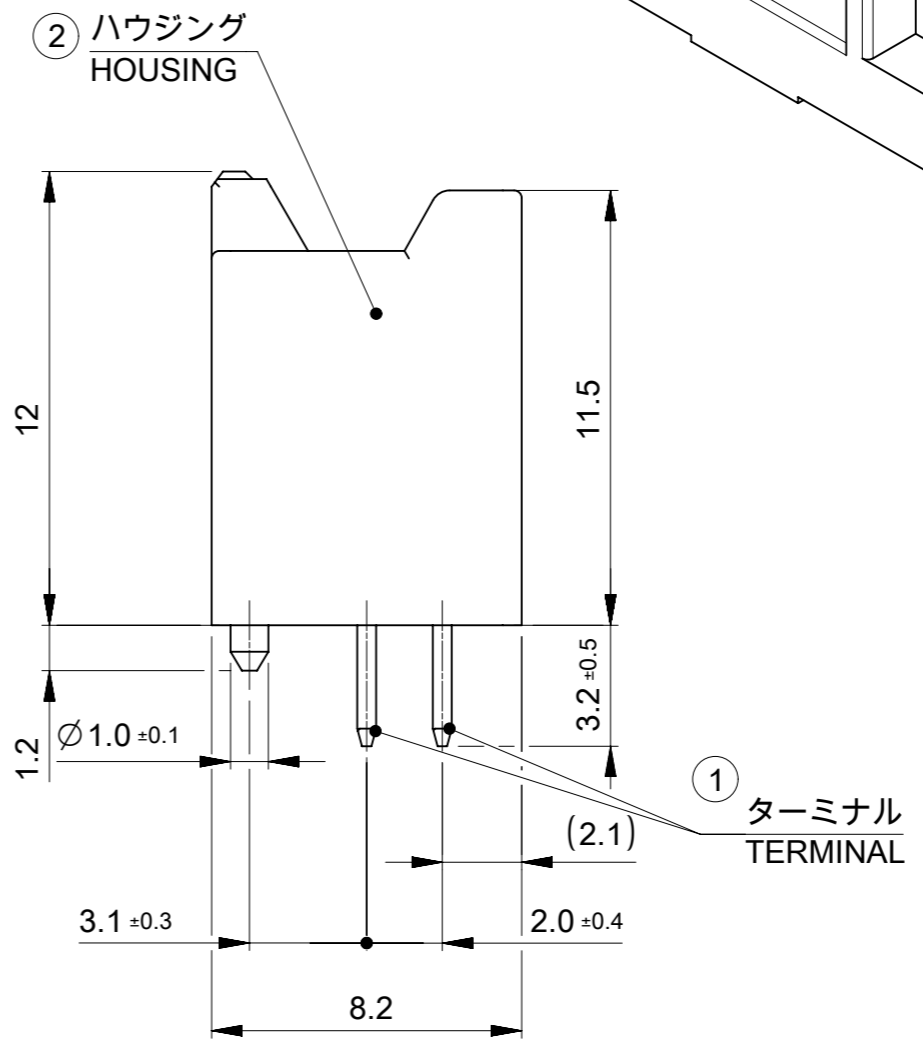
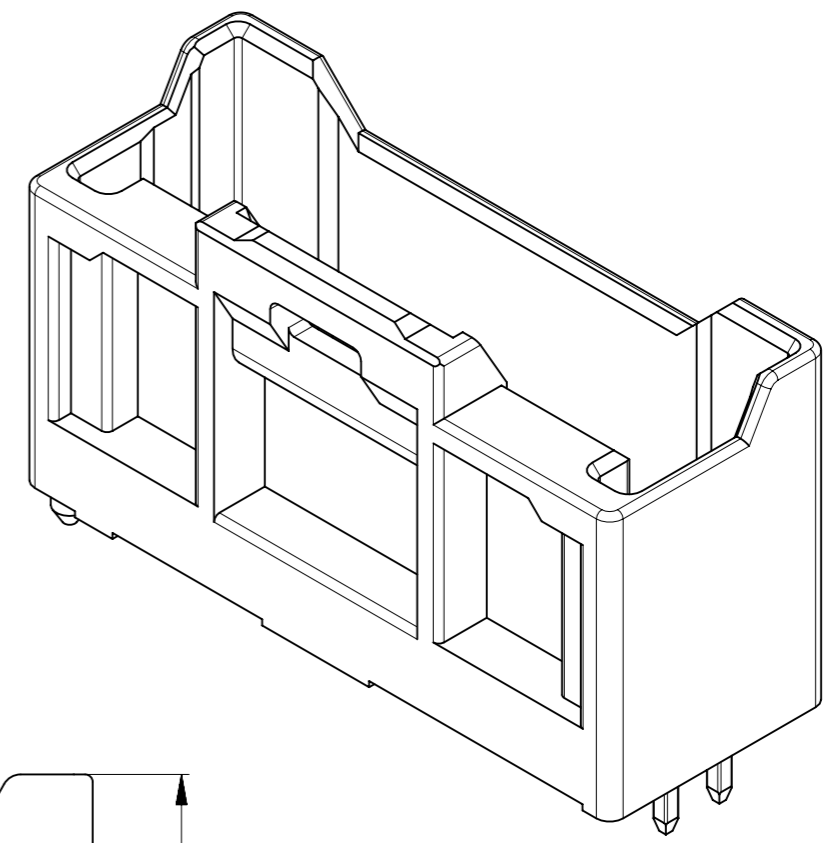


TABLE 1



9.2	38	42	40
9.2	36	40	38
9.2	34	38	36
9.2	32	36	34
9.2	30	34	32
9.2	28	32	30
9.2	26	30	28
9.2	24	28	26
9.2	22	26	24
9.2	20	24	22
9.2	18	22	20
9.2	16	20	18
9.2	14	18	16
9.2	12	16	14
9.2	10	14	12
7.3	8	12	10
C	B	A	極数 CIRCUIT SIZE

番号 No.	部品 PART	材質 MATERIAL
①	ターミナル TERMINAL	黄銅, BRASS 下地めっき UNDER PLATING 銅めっき 1.0 micro-meter MIN COPPER PLATING 1.0 micro-meter MIN コンタクト CONTACT 無光沢錫めっき(リフロー処理) 1.0 micro-meter MIN MATTE TIN PLATING (REFLOW TREATMENT) 1.0 micro-meter MIN テール SOLDER TAIL
	ハウジング HOUSING	ポリアミド(PA)ガラス入り, UL94V-0, 色: SEE CHART POLYAMIDE(PA) GLASS FILLED, UL94V-0, COLOR : SEE CHART

THIS DRAWING CONTAINS INFORMATION THAT IS PROPRIETARY TO MOLEX ELECTRONIC TECHNOLOGIES, LLC AND SHOULD NOT BE USED WITHOUT WRITTEN PERMISSION

DIMENSION UNITS	SCALE	CURRENT REV DESC:	
mm	NTS		
GENERAL TOLERANCES (UNLESS SPECIFIED)			
ANGULAR TOL	± 3.0 °		
4 PLACES	± 0.2	EC NO: 755147	2023/06/27
3 PLACES	± 0.2	DRWN: SNAKAMURA08	2023/07/07
2 PLACES	± 0.2	CHK'D: MARAI	2023/07/07
1 PLACE	± 0.2	APPR: AIDA	
0 PLACES	± 0.2	INITIAL REVISION:	
DRAFT WHERE APPLICABLE MUST REMAIN WITHIN DIMENSIONS		DRWN: SNAKAMURA08	2019/05/09
THIRD ANGLE PROJECTION		APPR: KOMURAKAMI	2019/05/24
DRAWING	SERIES	MATERIAL NUMBER	CUSTOMER
A3-SIZE	501645	5016450000-SD	GENERAL
DOCUMENT NUMBER		DOC TYPE	DOC PART
5016450000-SD		PSD	000
SHEET NUMBER		REVISION	
1 OF 3		F	

NOTES.

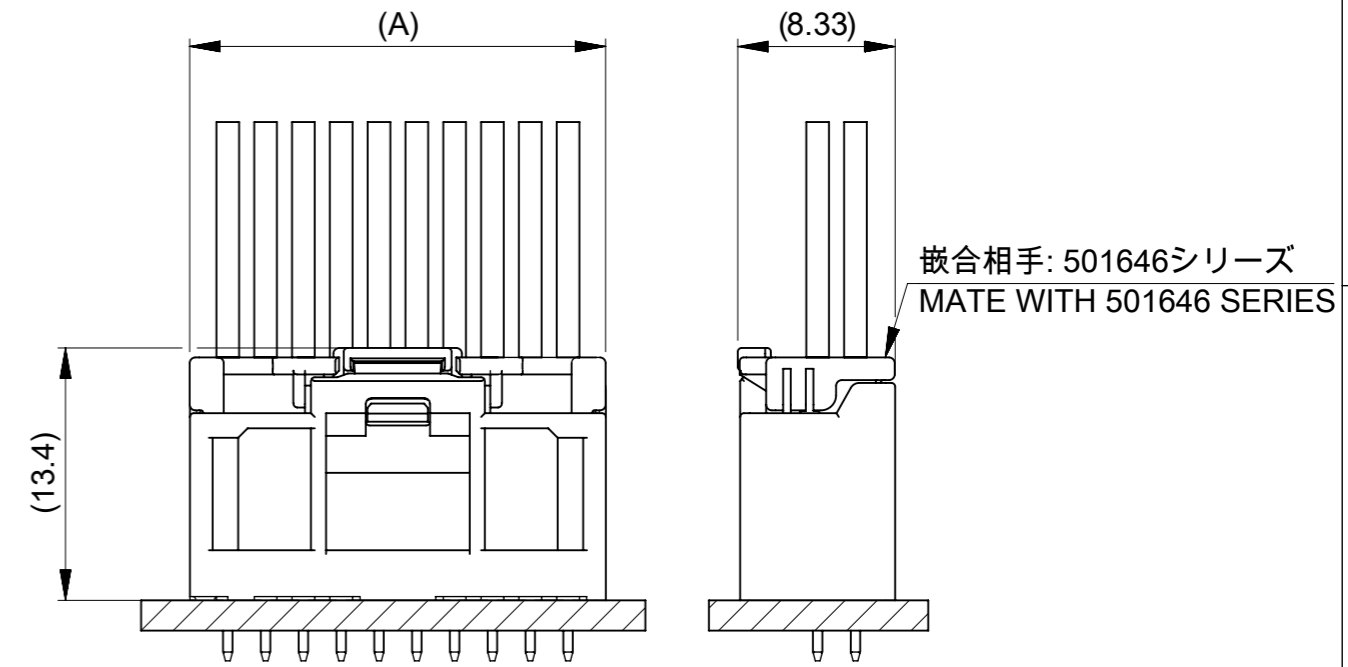
- 1. 材料及び仕上げ(めっき仕様) : TABLE 1 参照
MATERIAL AND FINISHES : SEE TABLE 1
- 2. 製品仕様書 : PS-501646-001
PRODUCT SPECIFICATION:PS-501646-001
- 3. 嵌合相手:
MATES WITH:

リセプタクルハウジング RECEPTACLE HOUSING	501646 SERIES	
圧着端子 RECEPTACLE CRIMP TERMINAL	AWG #22-26 錫めっき AWG #22-26 TIN PLATING	501647 SERIES
	AWG #26-28 錫めっき AWG #26-28 TIN PLATING	501648 SERIES

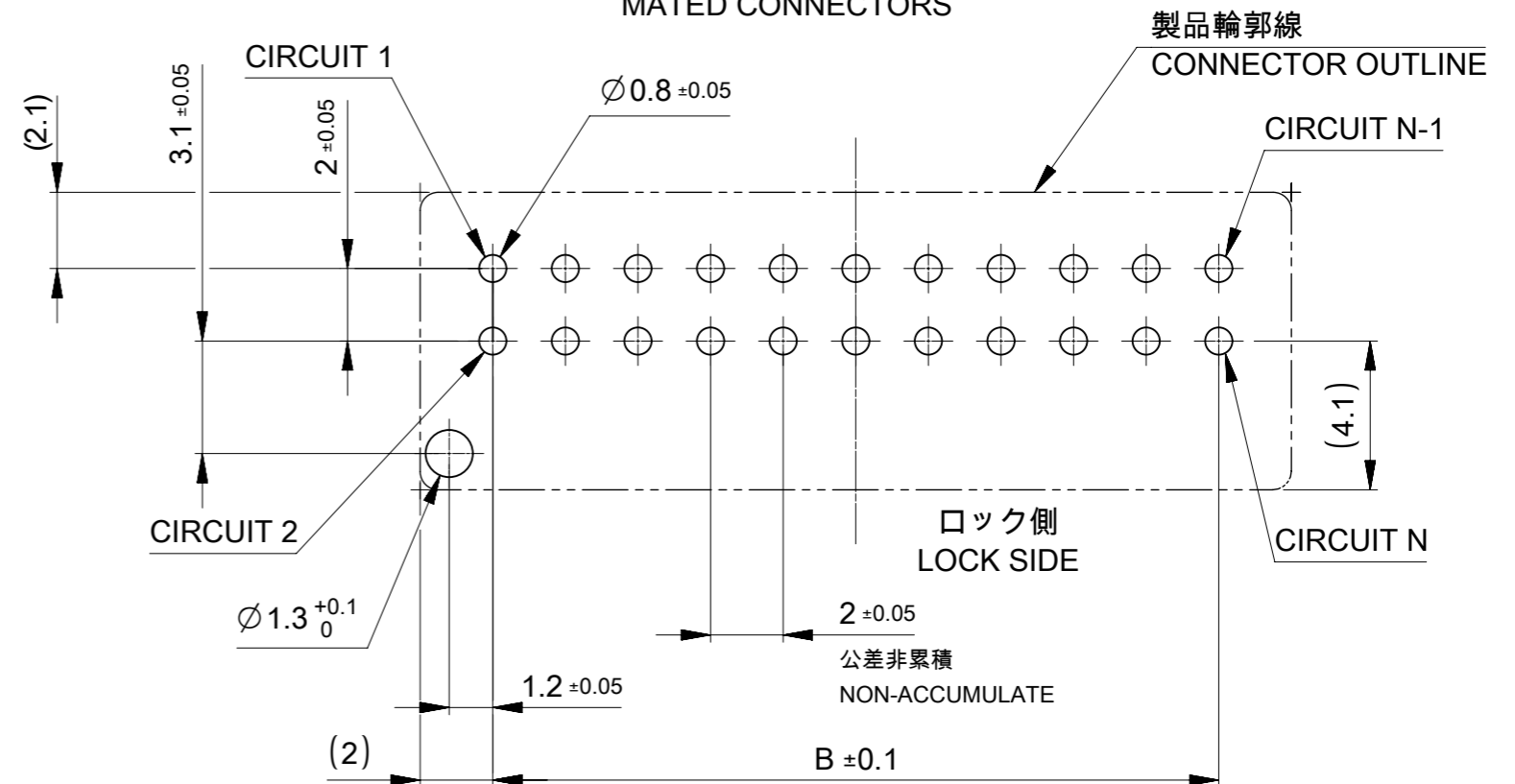
- 4. アプリケーション仕様書(コネクタ取扱い説明書) : 5016460000 PS A01
APPLICATION SPECIFICATION(CONNECTOR MANNUAL): 5016460000 PS A01
- 5. 本製品は錫めっき品です。
THIS PRODUCT IS A TIN PLATING.
- 6. 極数/2 = 偶数に適応
APPLY FOR CIRCUIT SIZE / 2 =EVEN
- 7. ターミナルに錫めっきを使用している為、外観に摺動痕が付く場合があります。
THE WOUND OF FRICTION MIGHT ADHERE TO EXTERNALS
BECAUSE THE TIN PLATING IS USED FOR TERMINAL.
- 8. 梱包仕様書: SPK-501645-001
PACKING INFORMATION : SPK-501645-001
- 9. 発注番号 : SHEET 3 参照
ORDER No. : PLEASE REFER TO SHEET 3 FOR PRODUCT LIST

501645 **2*

極数 CIRCUIT SIZE	ハウジングカラー HOUSING COLOR
	0:ナチュラル NATURAL (白 WHITE)
	1:黒 BLACK
	2:赤 RED
	4:青 BLUE
	6:緑 GREEN



嵌合状態図
MATED CONNECTORS

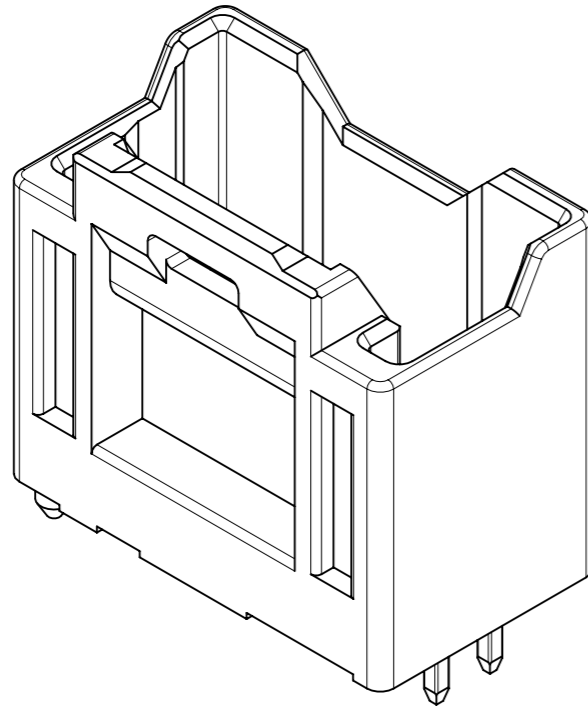


基板取付穴推奨寸法(マウント面)
POLARIZED RECOMMENDED PCB LAYOUT HOLE DIMENSION (MOUNTING SIDE)
参考基板厚 t=1.2~1.6
REFERENCE PCB THICKNESS t=1.2~1.6

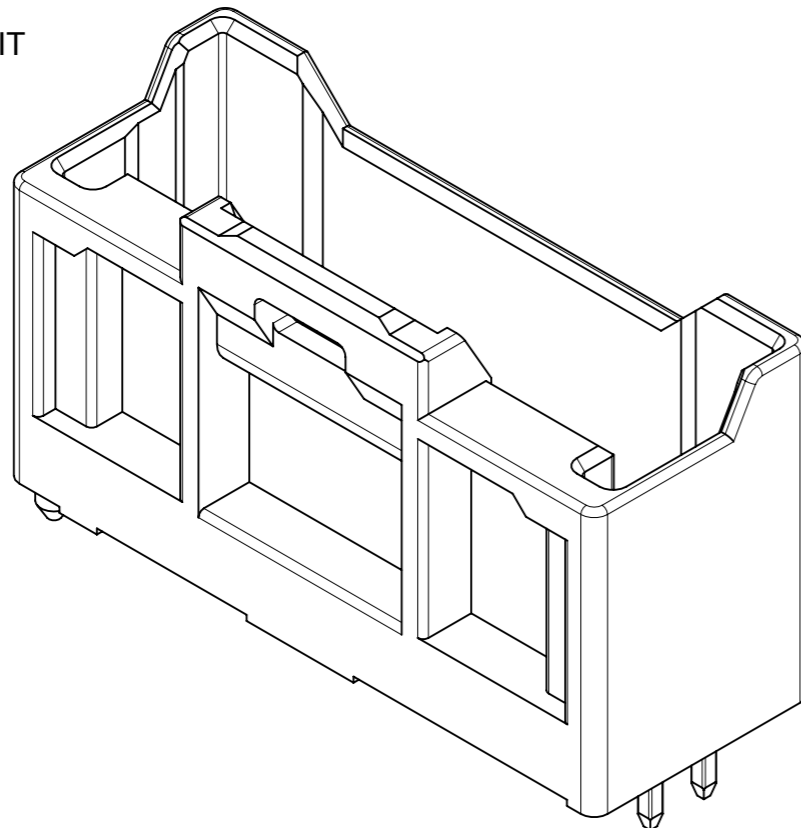
THIS DRAWING CONTAINS INFORMATION THAT IS PROPRIETARY TO MOLEX ELECTRONIC TECHNOLOGIES, LLC AND SHOULD NOT BE USED WITHOUT WRITTEN PERMISSION		CURRENT REV DESC:		molex	
DIMENSION UNITS	SCALE				
mm	NTS			IGRID 2.0 PLUG ASSEMBLY VERTICAL TIN PLATING	
GENERAL TOLERANCES (UNLESS SPECIFIED)				PRODUCT CUSTOMER DRAWING	
ANGULAR TOL	± 3.0 °			DOCUMENT NUMBER	
4 PLACES	± 0.2	EC NO: 755147	2023/06/27	5016450000-SD	
3 PLACES	± 0.2	DRWN: SNAKAMURA08	2023/07/07	DOC TYPE	DOC PART
2 PLACES	± 0.2	CHK'D: MARAI	2023/07/07	PSD	000
1 PLACE	± 0.2	APPR: AIDA	2023/07/07	REVISION	F
0 PLACES	± 0.2	INITIAL REVISION:			
DRAFT WHERE APPLICABLE MUST REMAIN WITHIN DIMENSIONS		DRWN: SNAKAMURA08	2019/05/09		
THIRD ANGLE PROJECTION		APPR: KOMURAKAMI	2019/05/24		
DRAWING		SERIES	MATERIAL NUMBER	CUSTOMER	
A3-SIZE		501645	SEE SHEET 3	GENERAL	
SHEET NUMBER		2 OF 3			

製品形状
PRODUCT SHAPE

10, 12極
10, 12CIRCUIT



14 - 40 極
14 - 40 CIRCUIT



△ 9 製品一覧 PRODUCT LIST

緑: GREEN	青: BULE	赤: RED	黒 : BLACK	ナチュラル : NATURAL (白 : WHITE)	HOUSING COLOR
501645 4026	501645 4024	501645 4022	501645 4021	501645 4020	40
↑ 3826	↑ 3824	↑ 3822	↑ 3821	↑ 3820	38
3626	3624	3622	3621	3620	36
3426	3424	3422	3421	3420	34
3226	3224	3222	3221	3220	32
3026	3024	3022	3021	3020	30
2826	2824	2822	2821	2820	28
2626	2624	2622	2621	2620	26
2426	2424	2422	2421	2420	24
2226	2224	2222	2221	2220	22
2026	2024	2022	2021	2020	20
1826	1824	1822	1821	1820	18
1626	1624	1622	1621	1620	16
↓ 1426	↓ 1424	↓ 1422	↓ 1421	↓ 1420	14
↓ 1226	↓ 1224	↓ 1222	↓ 1221	↓ 1220	12
501645 1026	501645 1024	501645 1022	501645 1021	501645 1020	10
発注番号 ORDER No.					極数
PACKAGING STYLE : TRAY					CIRCUIT SIZE

THIS DRAWING CONTAINS INFORMATION THAT IS PROPRIETARY TO MOLEX ELECTRONIC TECHNOLOGIES, LLC AND SHOULD NOT BE USED WITHOUT WRITTEN PERMISSION

DIMENSION UNITS mm	SCALE NTS	CURRENT REV DESC:		molex		
GENERAL TOLERANCES (UNLESS SPECIFIED)		EC NO: 755147				
ANGULAR TOL ± 3.0 °	4 PLACES ± 0.2	DRWN: SNAKAMURA08	2023/06/27	PRODUCT CUSTOMER DRAWING		
3 PLACES ± 0.2	2 PLACES ± 0.2	CHK'D: MARAI	2023/07/07	DOCUMENT NUMBER		
1 PLACE ± 0.2	0 PLACES ± 0.2	APPR: AIDA	2023/07/07	5016450000-SD		
DRAFT WHERE APPLICABLE MUST REMAIN WITHIN DIMENSIONS		INITIAL REVISION: DRWN: SNAKAMURA08 APPR: KOMURAKAMI		2019/05/09	DOC TYPE	DOC PART
THIRD ANGLE PROJECTION		DRAWING	SERIES	MATERIAL NUMBER	CUSTOMER	REVISION
A3-SIZE		501645	SEE CHART	GENERAL	000	F
						SHEET NUMBER 3 OF 3