



产品编号 : [5016461000](#)

Product Description : 2.00mm Pitch, iGrid Receptacle Crimp Housing, Dual Row, Positive Lock, 10 Circuits, Natural

系列号 : 501646

状态 : Active

Product Category : Connector Housings



---

## 文件和资源

### 图纸

[图纸 5016461000\\_sd.pdf](#)

### 3D 模型和设计文件

[2D 图纸 DXF 5016461000.dxf](#)

[2D 图纸 DXF PDF 5016461000.pdf](#)

[3D模型 5016461000\\_stp.zip](#)

### 规格

[应用规格 5016460000-A00.pdf](#)

[应用规格 5016460000-A01.pdf](#)

[包装规格 5016469200-200.pdf](#)

[产品规格 5016460000-PS-000.pdf](#)

[产品规格 5016461000-PS-000.pdf](#)

[产品规格 5016461001-PS-001.pdf](#)

[产品规格 PS-501646-001-001.pdf](#)

---

## 产物环境合规

### 合规

|                    |  |
|--------------------|--|
| GADSL/IMDS         | Not Relevant                                   |
| China RoHS         |  |
| EU ELV             | Compliant per 2000/53/EC                       |
| Low-Halogen Status | Low-Halogen per IEC 61249-2-21                 |
| REACH SVHC         | Not Contained per D(2023)8585-DC (23 Jan 2024) |
| EU RoHS            | Compliant per EU 2015/863                      |

### [多部分产品合规性声明](#)

- Eu RoHS

- REACH SVHC

- Low-Halogen

多部分行业合规性文件

- IPC 1752A Class C

- IPC 1752A Class D

- Molex Product Compliance Declaration

- IEC-62474

- chemSHERPA (xml)

欧盟 RoHS 合格证书

---

## 产品详情

### 常规

|      |   |
|------|---|
| 状态   | 活动  |
| 类别   | Connector Housings  |
| 系列   | 501646  |
| 说明   | 2.00mm Pitch, iGrid Receptacle Crimp Housing, Dual Row, Positive Lock, 10 Circuits, Natural |
| 应用   | Signal, Wire-to-Board   |
| 产品系列 | iGrid Wire-to-Board Dual-Row System   |
| 产品名称 | iGrid   |
| UPC  | 822350087131  |

### 机构

|     |         |
|-----|---------|
| CSA | LR19980 |
| UL  | E29179  |

### 物理

|         |            |
|---------|------------|
| 电路数（最多） | 10         |
| 颜色-树脂   | Natural    |
| 阻燃性     | 94V-0      |
| 性别      | Receptacle |
| 符合灼热丝规范 | 否          |
| 插接极性    | 无          |
| 锁定插接部位  | 是          |
| 材料 - 树脂 | Nylon      |

|           |                 |
|-----------|-----------------|
| 净重        | 360.000/mg      |
| 行数        | 2               |
| 包装形式      | Bag             |
| 面板安装式     | 否               |
| 间距 - 插配接口 | 2.00mm          |
| 间距 - 终端界面 | 2.00mm          |
| 有极性的插配件   | 是               |
| 可堆叠的      | 否               |
| 运行温度范围    | -40° to +105° C |

---

## 可配插/可连接使用的产品

### 可配插部件

| 描述  | 产品编号          |
|---|---------------|
| iGrid Vertical, Dual Row, Through Hole Headers    | <u>501645</u> |
| iGrid Vertical, Dual Row, Through Hole Headers    | <u>503091</u> |
| iGrid Right-Angle, Dual Row, Through Hole Headers | <u>501876</u> |
| iGrid Right-Angle, Dual Row, Through Hole Headers | <u>208659</u> |

### 可连接使用部件

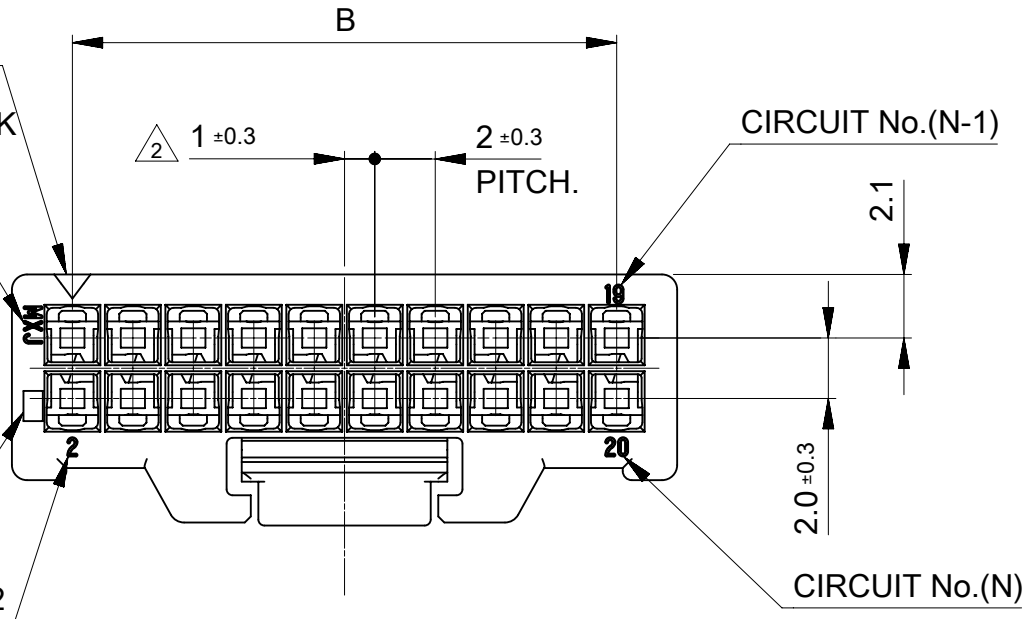
| 描述                           | 产品编号          |
|------------------------------|---------------|
| iGrid Female Crimp Terminals | <u>501647</u> |
| iGrid Female Crimp Terminals | <u>501648</u> |
| iGrid Female Crimp Terminals | <u>503095</u> |

回路番号1  
CIRCUIT No.1  
INDICATOR MARK

トレードマーク  
TRADE MARK

キャビティ番号  
CAVITY No.

CIRCUIT.No.2



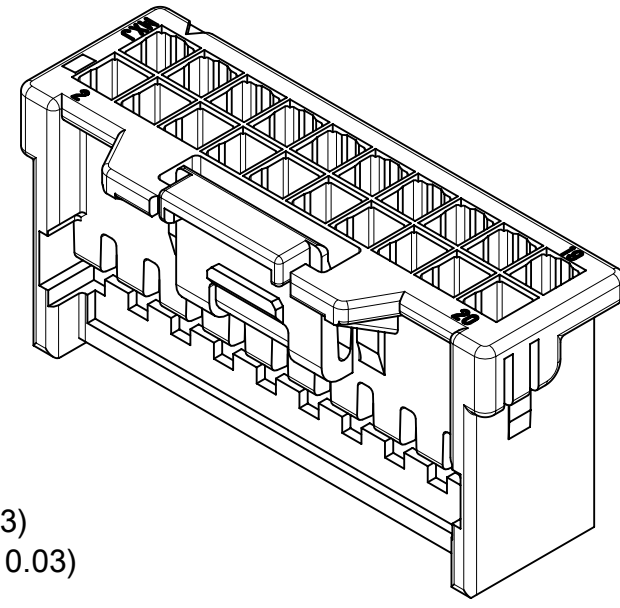
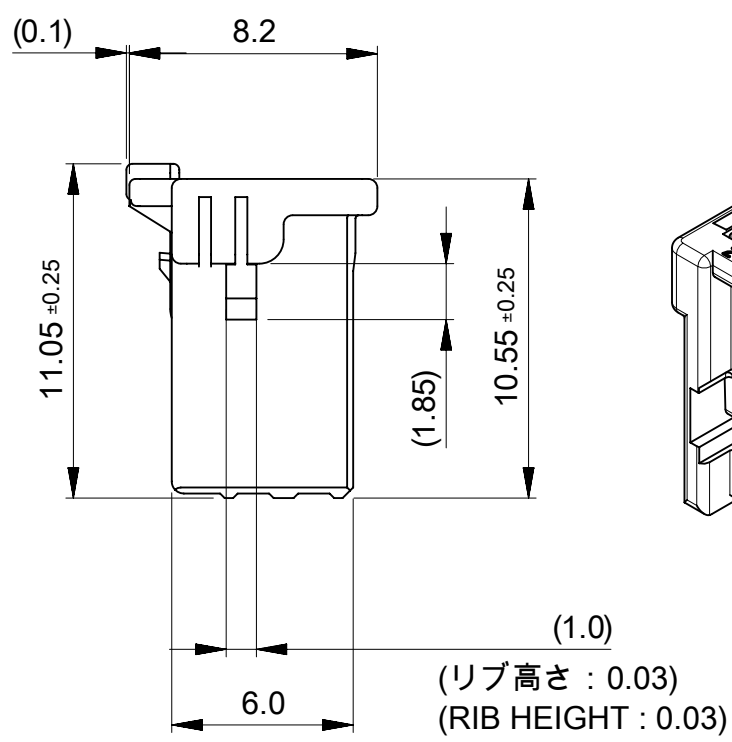
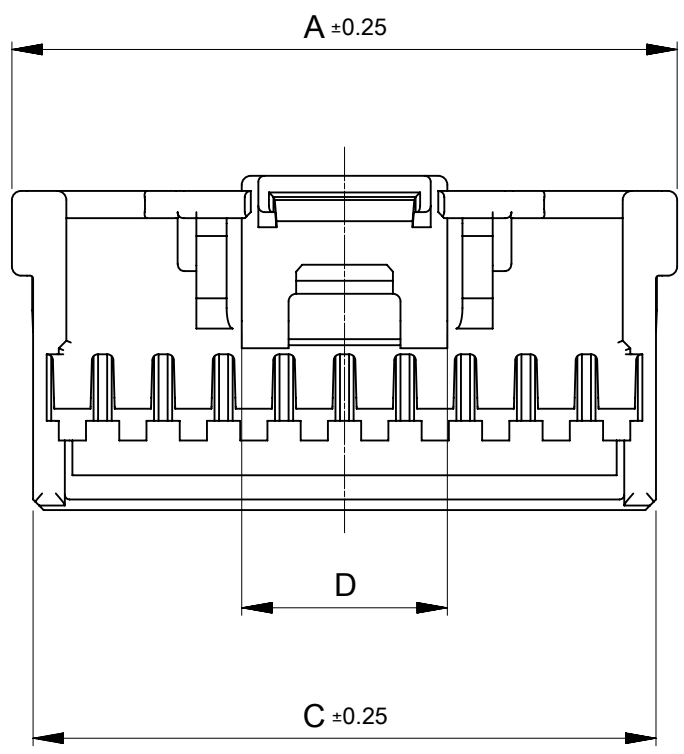
注記  
NOTES

- ① 材料: TABLE 1 参照  
MATERIAL : SEE TABLE 1
- ② 極数/2=偶数 となる極数に適用  
APPLY FOR CIRCUIT SIZE/2 = EVEN
- 3. 関連製品・書類はSHEET 2を参照ください  
REFER TO SHEET 2 ABOUT RELATED PRODUCTS AND DOCUMENTS.
- 4. オーダー番号(製品番号): SHEET 2の製品一覧を参照ください  
ORDER No. (PRODUCT No.) : REFER TO SHEET 2 FOR PRODUCT LIST.

**501646-\*\*0\***

極数  
CIRCUIT SIZE

|                           |
|---------------------------|
| ハウジングカラー<br>HOUSING COLOR |
| 0: ナチュラル NATURAL          |
| 1: 黒 BLACK                |
| 2: 赤 RED                  |
| 4: 青 BLUE                 |
| 6: 緑 GREEN                |



|     |      |    |    |                    |
|-----|------|----|----|--------------------|
| 6.8 | 40.6 | 38 | 42 | 40                 |
| 6.8 | 38.6 | 36 | 40 | 38                 |
| 6.8 | 36.6 | 34 | 38 | 36                 |
| 6.8 | 34.6 | 32 | 36 | 34                 |
| 6.8 | 32.6 | 30 | 34 | 32                 |
| 6.8 | 30.6 | 28 | 32 | 30                 |
| 6.8 | 28.6 | 26 | 30 | 28                 |
| 6.8 | 26.6 | 24 | 28 | 26                 |
| 6.8 | 24.6 | 22 | 26 | 24                 |
| 6.8 | 22.6 | 20 | 24 | 22                 |
| 6.8 | 20.6 | 18 | 22 | 20                 |
| 6.8 | 18.6 | 16 | 20 | 18                 |
| 6.8 | 16.6 | 14 | 18 | 16                 |
| 6.8 | 14.6 | 12 | 16 | 14                 |
| 6.8 | 12.6 | 10 | 14 | 12                 |
| 5.1 | 10.6 | 8  | 12 | 10                 |
| D   | C    | B  | A  | 極数<br>CIRCUIT SIZE |

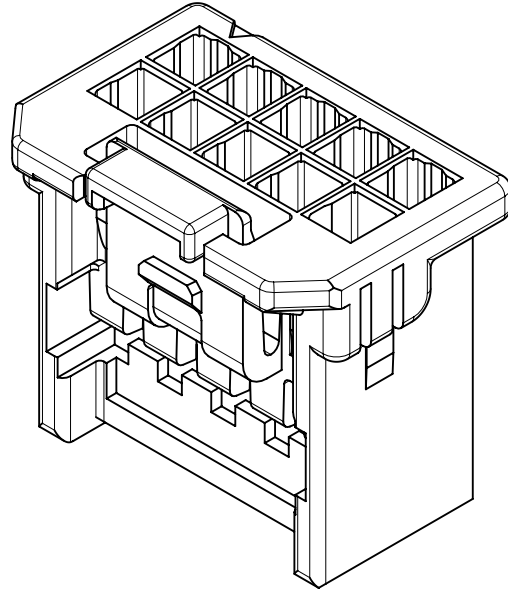
① TABLE 1

|                  |   |
|------------------|---|
| 部品<br>PART       | 材質<br>MATERIAL  |
| ハウジング<br>HOUSING | ポリアミド(PA)ガラス無し、UL94V-0、色: SEE CHART<br>POLYAMIDE(PA) UNFILLED, UL94V-0,COLOR: SEE CHART |

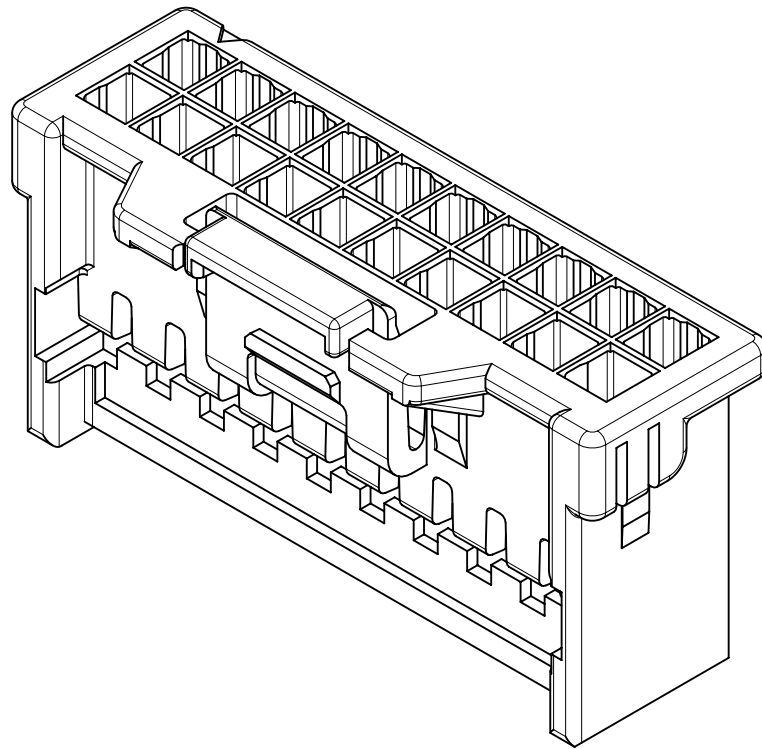
THIS DRAWING CONTAINS INFORMATION THAT IS PROPRIETARY TO MOLEX ELECTRONIC TECHNOLOGIES, LLC AND SHOULD NOT BE USED WITHOUT WRITTEN PERMISSION

|  |              |                              |         |                          |                 |          |
|--|--------------|------------------------------|---------|--------------------------|-----------------|----------|
| DIMENSION UNITS<br>mm                                      | SCALE<br>NTS | CURRENT REV DESC: REDRAWN    |         | <b>molex</b>             |                 |          |
| GENERAL TOLERANCES (UNLESS SPECIFIED)                      |              | EC NO: 711900                |         |                          |                 |          |
| ANGULAR TOL  | ± 3.0 °      | DRWN: SNAKAMURA08 2017/09/25 |         | PRODUCT CUSTOMER DRAWING |                 |          |
| 4 PLACES   | ± 0.2        | CHK'D: KOMURAKAMI 2022/07/20 |         | DOCUMENT NUMBER          |                 |          |
| 3 PLACES   | ± 0.2        | APPR: SAKIYAMA 2022/07/20    |         | 5016460000-SD            |                 |          |
| 2 PLACES   | ± 0.2        | INITIAL REVISION:            |         | DOC TYPE                 | DOC PART        | REVISION |
| 1 PLACE  | ± 0.2        | DRWN: SNAKAMURA08 2017/09/25 |         | PSD                      | 000             | A        |
| 0 PLACES   | ± 0.2        | APPR: SAKIYAMA 2022/07/20    |         | SHEET NUMBER             |                 |          |
| DRAFT WHERE APPLICABLE<br>MUST REMAIN<br>WITHIN DIMENSIONS |              | THIRD ANGLE PROJECTION       | DRAWING | SERIES                   | MATERIAL NUMBER | CUSTOMER |
|  |              |                              | A3-SIZE | 501646                   | SEE SHEET 2     | GENERAL  |

各極数毎の製品形状  
PRODUCT SHAPE AT EACH CIRCUIT



10, 12極形状  
VIEW OF 10, 12 CIRCUIT



14 ~ 40極形状  
VIEW OF 14 ~ 40 CIRCUIT

製品一覧  
PRODUCT LIST

| 緑: GREEN                                    | 青: BLUE     | 赤: RED      | 黒: BLACK    | ナチュラル<br>NATURAL | HOUSING COLOR      |
|---|-------------|-------------|-------------|------------------|--------------------|
| 501646 4006                                 | 501646 4004 | 501646 4002 | 501646 4001 | 501646 4000      | 40                 |
| ↑ 3806                                      | ↑ 3804      | ↑ 3802      | ↑ 3801      | ↑ 3800           | 38                 |
| 3606  | 3604        | 3602        | 3601        | 3600             | 36                 |
| 3406  | 3404        | 3402        | 3401        | 3400             | 34                 |
| 3206  | 3204        | 3202        | 3201        | 3200             | 32                 |
| 3006  | 3004        | 3002        | 3001        | 3000             | 30                 |
| 2806  | 2804        | 2802        | 2801        | 2800             | 28                 |
| 2606  | 2604        | 2602        | 2601        | 2600             | 26                 |
| 2406  | 2404        | 2402        | 2401        | 2400             | 24                 |
| 2206  | 2204        | 2202        | 2201        | 2200             | 22                 |
| 2006  | 2004        | 2002        | 2001        | 2000             | 20                 |
| 1806  | 1804        | 1802        | 1801        | 1800             | 18                 |
| 1606  | 1604        | 1602        | 1601        | 1600             | 16                 |
| 1406  | 1404        | 1402        | 1401        | 1400             | 14                 |
| ↓ 1206                                      | ↓ 1204      | ↓ 1202      | ↓ 1201      | ↓ 1200           | 12                 |
| 501646 1006                                 | 501646 1004 | 501646 1002 | 501646 1001 | 501645 1000      | 10                 |
| 発注番号 ORDER No.<br>PACKAGING STYLE : POLYBAG |             |             |             |                  | 極数<br>CIRCUIT SIZE |

適合製品及び各種仕様書  
APPLICABLE PRODUCTS AND VARIOUS SPECIFICATIONS

|  |                   |                      |                   |             |
|--|-------------------|----------------------|-------------------|-------------|
| 梱包仕様書<br>PACKING SPECIFICATION           | PART NUMBER       | SPECIFICATION NUMBER |                   |             |
|  | 501646 **0*       | 5016469200 PS 200    |                   |             |
| 適合圧着端子<br>APPLICABLE CRIMP TERMINAL      | PLATING TYPE      | PART NUMBER          | WIRE SIZE(AWG)    |             |
|  | TIN               | 5016471000           | #22 - #26         |             |
|  |                   | 5016481000           | #26 - #28         |             |
|  | GOLD              | 5030952201           | #22 - #24         |             |
| 5030952200                               |                   | #26 - #28            |                   |             |
| 適合嵌合相手<br>MATE WITH                      | TIN PLATING       |                      | GOLD PLATING      |             |
|  | VERTICAL          | RIGHT ANGLE          | VERTICAL          | RIGHT ANGLE |
| シリーズ番号 SERIES No.                        | 501645            | 501876               | 503091            | 208659      |
| 製品仕様書<br>PRODUCT SPECIFICATION           | PS-501646-001     |                      | 5016460000-PS 000 |             |
| アプリケーション仕様書<br>APPLICATION SPECIFICATION | 5016460000 PS A01 |                      |                   |             |

THIS DRAWING CONTAINS INFORMATION THAT IS PROPRIETARY TO MOLEX ELECTRONIC TECHNOLOGIES, LLC AND SHOULD NOT BE USED WITHOUT WRITTEN PERMISSION

DIMENSION UNITS: mm SCALE: NTS CURRENT REV DESC: REDRAWN

**molex**

IGRID 2.0 WIRE TO BOARD RECEPTACLE HOUSING

PRODUCT CUSTOMER DRAWING

EC NO: 711900  
DRWN: SNAKAMURA08 2017/09/25  
CHK'D: KOMURAKAMI 2022/07/20  
APPR: SAKIYAMA 2022/07/20

INITIAL REVISION:  
DRWN: SNAKAMURA08 2017/09/25  
APPR: SAKIYAMA 2022/07/20

DOCUMENT NUMBER: 5016460000-SD DOC TYPE: PSD DOC PART: 000 REVISION: A

DRAFT WHERE APPLICABLE MUST REMAIN WITHIN DIMENSIONS THIRD ANGLE PROJECTION DRAWING: A3-SIZE SERIES: 501646 MATERIAL NUMBER: SEE TABLE CUSTOMER: GENERAL SHEET NUMBER: 2 OF 2