



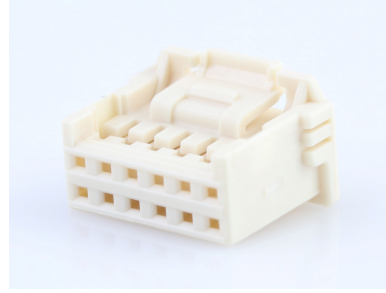
产品编号 : [5016461200](#)

Product Description : 2.00mm Pitch, iGrid Receptacle Crimp Housing, Dual Row, Positive Lock, 12 Circuits, Natural

系列号 : 501646

状态 : Active

Product Category : Connector Housings



文件和资源

图纸

[图纸 5016461200_sd.pdf](#)

3D 模型和设计文件

[2D 图纸 DXF 5016461200.dxf](#)

[2D 图纸 DXF PDF 5016461200.pdf](#)

[3D模型 5016461200_stp.zip](#)

规格

[应用规格 5016460000-A00.pdf](#)

[应用规格 5016460000-A01.pdf](#)

[包装规格 5016469200-200.pdf](#)

[产品规格 5016460000-PS-000.pdf](#)

[产品规格 5016461000-PS-000.pdf](#)

[产品规格 5016461001-PS-001.pdf](#)

[产品规格 PS-501646-001-001.pdf](#)

产物环境合规

合规

GADSL/IMDS	Not Relevant
China RoHS	
EU ELV	Compliant per 2000/53/EC
Low-Halogen Status	Low-Halogen per IEC 61249-2-21
REACH SVHC	Not Contained per D(2023)8585-DC (23 Jan 2024)
EU RoHS	Compliant per EU 2015/863

多部分产品合规性声明

- Eu RoHS

- REACH SVHC

- Low-Halogen

多部分行业合规性文件

- IPC 1752A Class C

- IPC 1752A Class D

- Molex Product Compliance Declaration

- IEC-62474

- chemSHERPA (xml)

欧盟 RoHS 合格证书

产品详情

常规

状态	活动
类别	Connector Housings
系列	501646
说明	2.00mm Pitch, iGrid Receptacle Crimp Housing, Dual Row, Positive Lock, 12 Circuits, Natural
应用	Signal, Wire-to-Board
产品系列	iGrid Wire-to-Board Dual-Row System
产品名称	iGrid
UPC	822350087148

机构

CSA	LR19980
UL	E29179

物理

电路数（最多）	12
颜色-树脂	Natural
阻燃性	94V-0
性别	Receptacle
符合灼热丝规范	否
插接极性	无
锁定插接部位	是
材料 - 树脂	Nylon

净重	410.000/mg
行数	2
包装形式	Bag
面板安装式	否
间距 - 插配接口	2.00mm
间距 - 终端界面	2.00mm
有极性的插配件	是
可堆叠的	否
运行温度范围	-40° to +105° C

可配插/可连接使用的产品

可配插部件

描述	产品编号
iGrid Vertical, Dual Row, Through Hole Headers	<u>501645</u>
iGrid Vertical, Dual Row, Through Hole Headers	<u>503091</u>
iGrid Right-Angle, Dual Row, Through Hole Headers	<u>501876</u>
iGrid Right-Angle, Dual Row, Through Hole Headers	<u>208659</u>

可连接使用部件

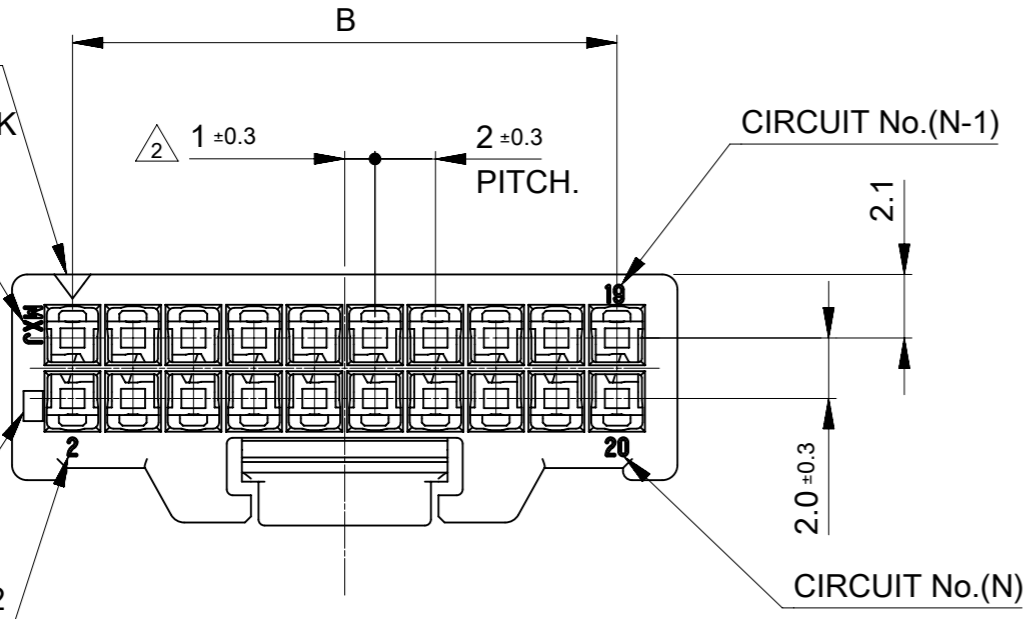
描述	产品编号
iGrid Female Crimp Terminals	<u>501647</u>
iGrid Female Crimp Terminals	<u>501648</u>
iGrid Female Crimp Terminals	<u>503095</u>

回路番号1
CIRCUIT No.1
INDICATOR MARK

トレードマーク
TRADE MARK

キャビティ番号
CAVITY No.

CIRCUIT.No.2



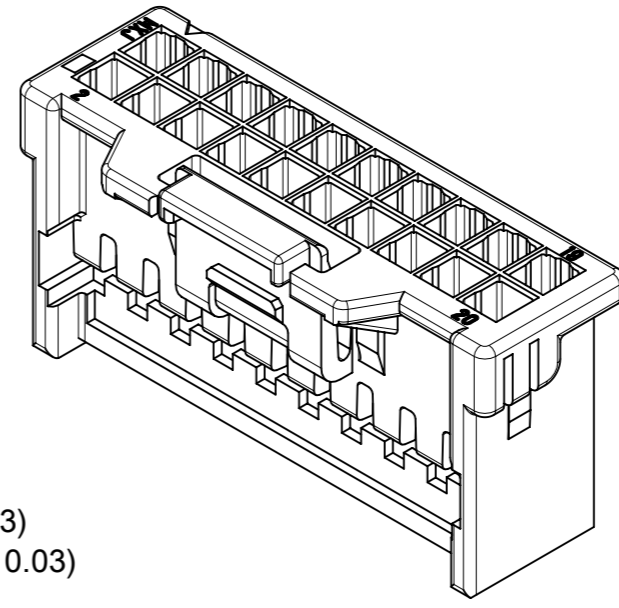
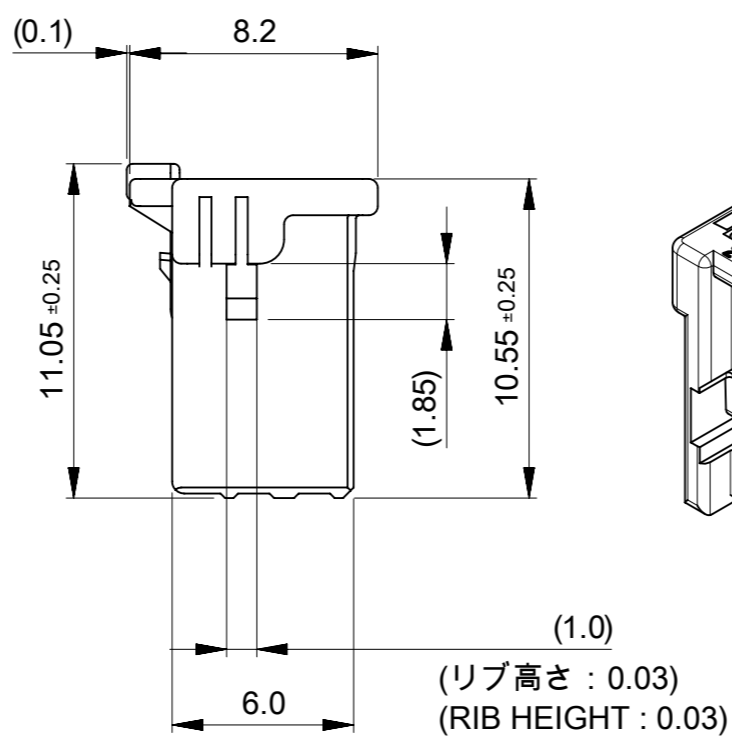
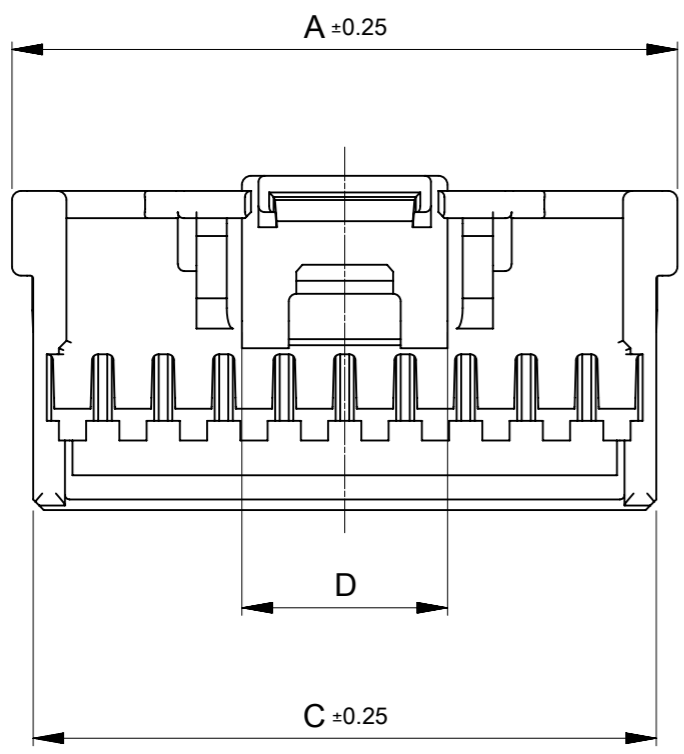
注記
NOTES

- ① 材料: TABLE 1 参照
MATERIAL : SEE TABLE 1
- ② 極数/2=偶数 となる極数に適用
APPLY FOR CIRCUIT SIZE/2 = EVEN
- 3. 関連製品・書類はSHEET 2を参照ください
REFER TO SHEET 2 ABOUT RELATED PRODUCTS AND DOCUMENTS.
- 4. オーダー番号(製品番号): SHEET 2の製品一覧を参照ください
ORDER No. (PRODUCT No.) : REFER TO SHEET 2 FOR PRODUCT LIST.

501646-0***

極数
CIRCUIT SIZE

ハウジングカラー HOUSING COLOR
0: ナチュラル NATURAL
1: 黒 BLACK
2: 赤 RED
4: 青 BLUE
6: 緑 GREEN



6.8	40.6	38	42	40
6.8	38.6	36	40	38
6.8	36.6	34	38	36
6.8	34.6	32	36	34
6.8	32.6	30	34	32
6.8	30.6	28	32	30
6.8	28.6	26	30	28
6.8	26.6	24	28	26
6.8	24.6	22	26	24
6.8	22.6	20	24	22
6.8	20.6	18	22	20
6.8	18.6	16	20	18
6.8	16.6	14	18	16
6.8	14.6	12	16	14
6.8	12.6	10	14	12
5.1	10.6	8	12	10
D	C	B	A	極数 CIRCUIT SIZE

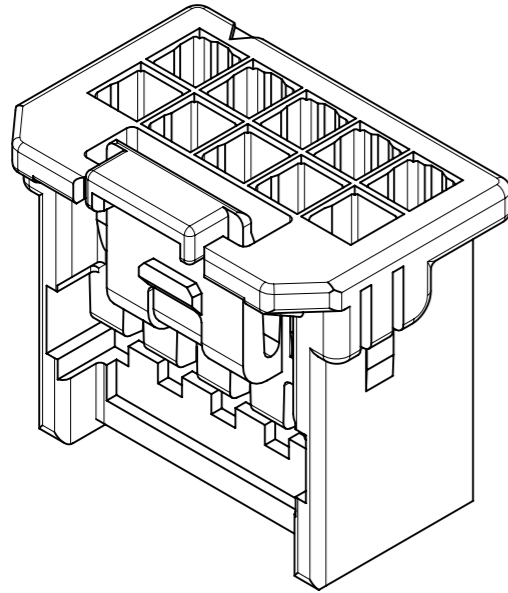
① TABLE 1

部品 PART	材質 MATERIAL
ハウジング HOUSING	ポリアミド(PA)ガラス無し、UL94V-0、色: SEE CHART POLYAMIDE(PA) UNFILLED, UL94V-0,COLOR: SEE CHART

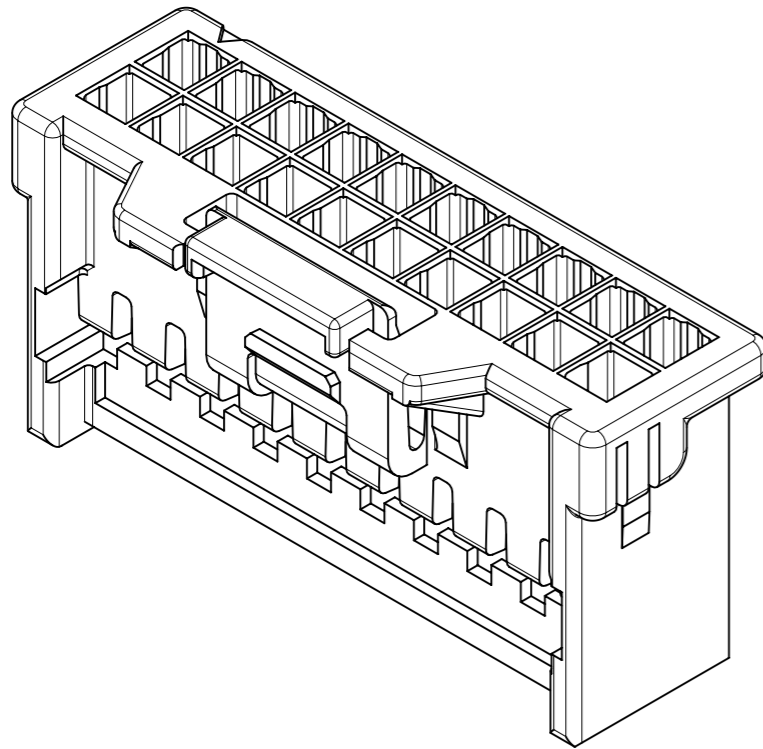
THIS DRAWING CONTAINS INFORMATION THAT IS PROPRIETARY TO MOLEX ELECTRONIC TECHNOLOGIES, LLC AND SHOULD NOT BE USED WITHOUT WRITTEN PERMISSION

DIMENSION UNITS mm	SCALE NTS	CURRENT REV DESC: REDRAWN		molex		
GENERAL TOLERANCES (UNLESS SPECIFIED)		EC NO: 711900				
ANGULAR TOL	± 3.0 °	DRWN: SNAKAMURA08 2017/09/25		PRODUCT CUSTOMER DRAWING		
4 PLACES	± 0.2	CHK'D: KOMURAKAMI 2022/07/20		DOCUMENT NUMBER		
3 PLACES	± 0.2	APPR: SAKIYAMA 2022/07/20		5016460000-SD		
2 PLACES	± 0.2	INITIAL REVISION:		DOC TYPE	DOC PART	REVISION
1 PLACE	± 0.2	DRWN: SNAKAMURA08 2017/09/25		PSD	000	A
0 PLACES	± 0.2	APPR: SAKIYAMA 2022/07/20		SHEET NUMBER		
DRAFT WHERE APPLICABLE MUST REMAIN WITHIN DIMENSIONS		THIRD ANGLE PROJECTION	DRAWING	SERIES	MATERIAL NUMBER	CUSTOMER
			A3-SIZE	501646	SEE SHEET 2	GENERAL

各極数毎の製品形状
PRODUCT SHAPE AT EACH CIRCUIT



10, 12極形状
VIEW OF 10, 12 CIRCUIT



14 ~ 40極形状
VIEW OF 14 ~ 40 CIRCUIT

製品一覧
PRODUCT LIST

緑: GREEN	青: BLUE	赤: RED	黒: BLACK	ナチュラル NATURAL	HOUSING COLOR
501646 4006	501646 4004	501646 4002	501646 4001	501646 4000	40
↑ 3806	↑ 3804	↑ 3802	↑ 3801	↑ 3800	38
3606	3604	3602	3601	3600	36
3406	3404	3402	3401	3400	34
3206	3204	3202	3201	3200	32
3006	3004	3002	3001	3000	30
2806	2804	2802	2801	2800	28
2606	2604	2602	2601	2600	26
2406	2404	2402	2401	2400	24
2206	2204	2202	2201	2200	22
2006	2004	2002	2001	2000	20
1806	1804	1802	1801	1800	18
1606	1604	1602	1601	1600	16
1406	1404	1402	1401	1400	14
↓ 1206	↓ 1204	↓ 1202	↓ 1201	↓ 1200	12
501646 1006	501646 1004	501646 1002	501646 1001	501645 1000	10
発注番号 ORDER No. PACKAGING STYLE : POLYBAG					極数 CIRCUIT SIZE

適合製品及び各種仕様書
APPLICABLE PRODUCTS AND VARIOUS SPECIFICATIONS

梱包仕様書 PACKING SPECIFICATION	PART NUMBER	SPECIFICATION NUMBER		
	501646 **0*	5016469200 PS 200		
適合圧着端子 APPLICABLE CRIMP TERMINAL	PLATING TYPE	PART NUMBER	WIRE SIZE(AWG)	
	TIN	5016471000	#22 - #26	
		5016481000	#26 - #28	
	GOLD	5030952201	#22 - #24	
5030952200		#26 - #28		
適合嵌合相手 MATE WITH	TIN PLATING		GOLD PLATING	
	VERTICAL	RIGHT ANGLE	VERTICAL	RIGHT ANGLE
シリーズ番号 SERIES No.	501645	501876	503091	208659
製品仕様書 PRODUCT SPECIFICATION	PS-501646-001		5016460000-PS 000	
アプリケーション仕様書 APPLICATION SPECIFICATION	5016460000 PS A01			

THIS DRAWING CONTAINS INFORMATION THAT IS PROPRIETARY TO MOLEX ELECTRONIC TECHNOLOGIES, LLC AND SHOULD NOT BE USED WITHOUT WRITTEN PERMISSION

DIMENSION UNITS	SCALE	CURRENT REV DESC: REDRAWN		molex		
mm	NTS					
GENERAL TOLERANCES (UNLESS SPECIFIED)				IGRID 2.0 WIRE TO BOARD RECEPTACLE HOUSING		
ANGULAR TOL ± 3.0°				PRODUCT CUSTOMER DRAWING		
4 PLACES	± 0.2	EC NO: 711900		DOCUMENT NUMBER		
3 PLACES	± 0.2	DRWN: SNAKAMURA08	2017/09/25	5016460000-SD		
2 PLACES	± 0.2	CHK'D: KOMURAKAMI	2022/07/20	DOC TYPE	DOC PART	REVISION
1 PLACE	± 0.2	APPR: SAKIYAMA	2022/07/20	PSD	000	A
0 PLACES	± 0.2	INITIAL REVISION:		SHEET NUMBER		
DRAFT WHERE APPLICABLE MUST REMAIN WITHIN DIMENSIONS		DRWN: SNAKAMURA08	2017/09/25	2 OF 2		
THIRD ANGLE PROJECTION		APPR: SAKIYAMA	2022/07/20			
DRAWING		SERIES	MATERIAL NUMBER	CUSTOMER		
A3-SIZE		501646	SEE TABLE	GENERAL		