



产品编号 : 5016471000

系列号 : 501647

Product Category : Crimp Terminals

Product Description : 2.00mm Pitch, iGrid Female Crimp Terminal, Tin (Sn) Plating, 22-26 AWG, Reel

状态 : Active

Packaging Alternative : 5016471100 (Bag)

---

## 文件和资源

### 图纸

图纸 5016471000\_sd.pdf

### 3D 模型和设计文件

3D模型 5016471000\_stp.zip

### 规格

应用规格 5016460000-A00.pdf

应用规格 5016460000-A01.pdf

包装规格 5016479200-200.pdf

产品规格 5016461001-PS-001.pdf

产品规格 PS-501646-001-001.pdf


### 模具规格

压接规格 5016470000-CS-000.pdf

---

## 产物环境合规

### 合规

GADSL/IMDS	Compliant with Exemption 44
China RoHS	
EU ELV	Compliant per 2000/53/EC
Low-Halogen Status	Low-Halogen per IEC 61249-2-21
REACH SVHC	Not Contained per D(2023)8585-DC (23 Jan 2024)
EU RoHS	Compliant per EU 2015/863

### 多部分产品合规性声明

- Eu RoHS
- REACH SVHC
- Low-Halogen

- IPC 1752A Class C
- IPC 1752A Class D
- Molex Product Compliance Declaration
- IEC-62474
- chemSHERPA (xml)

欧盟 RoHS 合格证书

## 产品详情

### 常规

状态	活动
类别	Crimp Terminals
系列	501647
说明	2.00mm Pitch, iGrid Female Crimp Terminal, Tin (Sn) Plating, 22-26 AWG, Reel
应用	Signal, Wire-to-Board
产品系列	iGrid Wire-to-Board Dual-Row System
产品名称	iGrid
UPC	822350087308

### 电气

每触点最大电流	2.0A
电压 - 最大	250V AC (RMS)/DC

### 物理

耐用性(插拔次数) - 最多次数	30
性别	女
材料 - 金属	Copper Alloy
材料 - 接合部位电镀	Tin
材料 - 终端电镀	Tin
净重	48.090/mg
包装形式	Reel
终端界面类型	Crimp or Compression
导线绝缘直径	0.95-1.50mm
线径规格 (AWG)	22, 24, 26

线缆尺寸mm <sup>2</sup>	0.124-0.34
---------------------	------------

---

### 可连接使用部件

描述	产品编号
iGrid Dual Row Receptacle Housings	<u>501646</u>

---

### 施工工具

#### 全局

描述	产品编号
Extraction Tool for MX150L, MX150, PT Bulb Socket, iGrid, SPOX, and Wire-to-Motor Terminals	<u>638131500</u>
PremiumGrade Hand Crimp Tool for iGrid Female Terminals, 22-26 AWG and 0.30-0.20mm <sup>2</sup> Wire	<u>638192300</u>
T2 Terminator Tooling Die	<u>638587000</u>
FineAdjust Applicator for iGrid Receptacle Terminals, 22-26 AWG with Insulation Diameter 0.95-1.50mm UL1007 wire	<u>638687000</u>

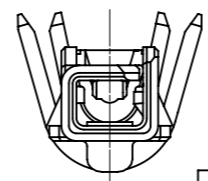
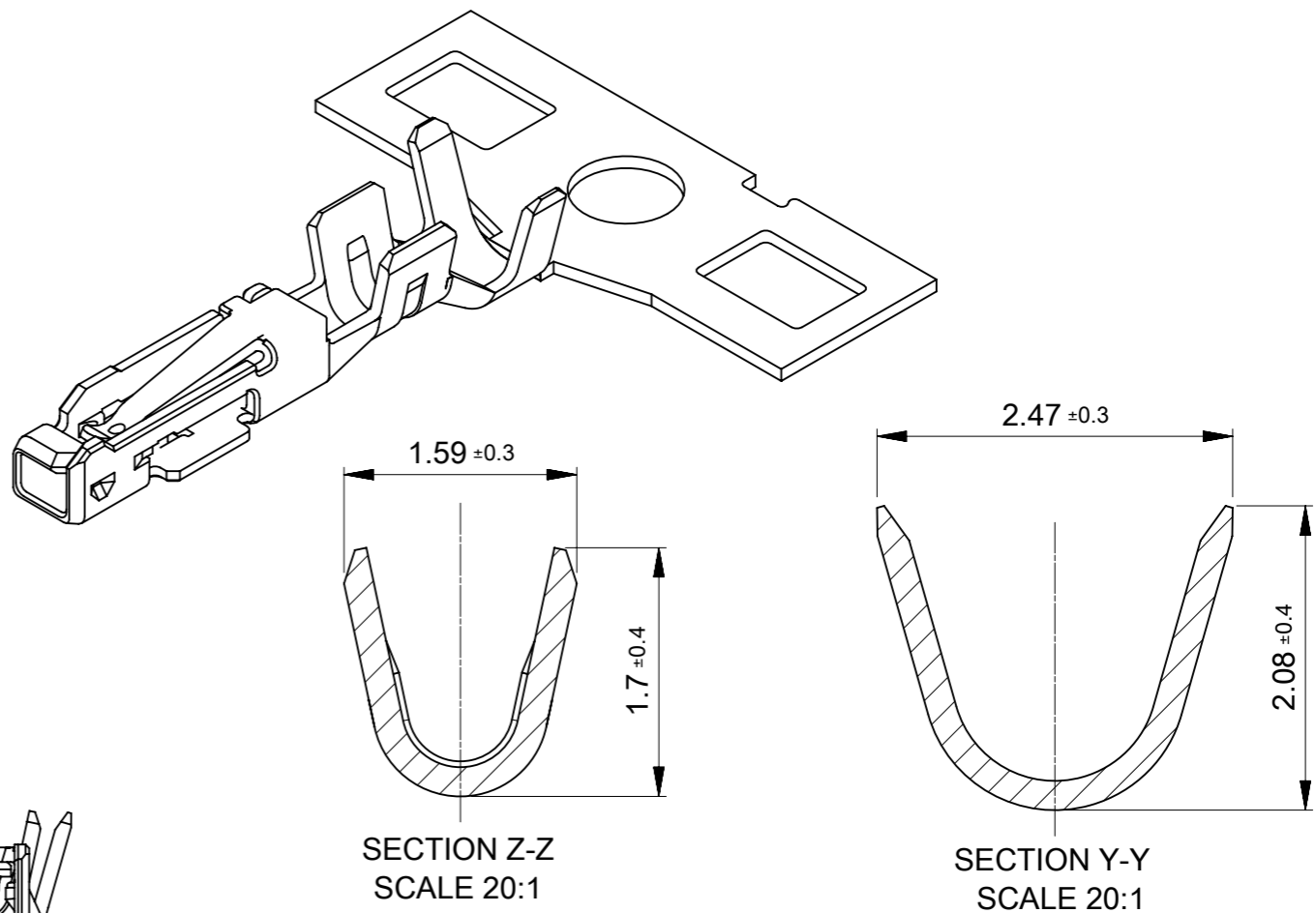
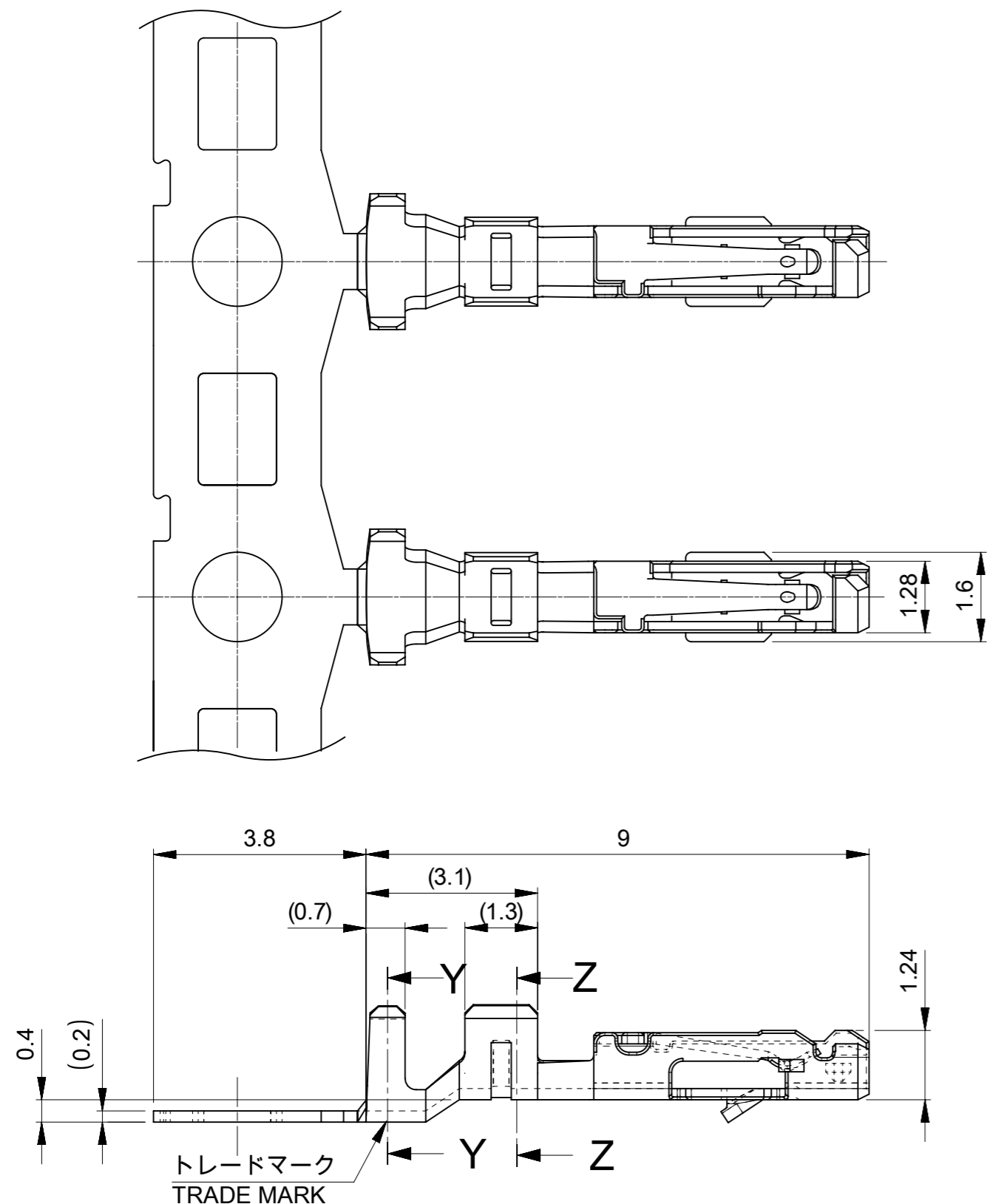
### 施工工具

#### 日本

描述	产品编号
S-1 Applicator for iGrid Terminals, 22-26 AWG, 0.20-0.30 KV	<u>5780213700</u>

注記  
NOTES

1. 材料及び仕上げ(めっき仕様): TABLE1参照  
MATERIAL AND FINISHES: SEE TABLE 1.
2. 適合製品及び各種仕様書についてはSHEET2をご参照ください。  
PLEASE REFER TO SHEET 2 FOR APPLICABLE PRODUCT AND VARIOUS SPECIFICATIONS.
3. 本製品はケーブルサイズAWG#22-26に適合です。  
AWG#26-28に適合する製品は5016480000-SD/PSD/000をご参照ください。  
THIS PRODUCT IS APPLICABLE TO AWG#22-26.  
FOR PRODUCTS APPLICABLE TO AWG#26-28, PLEASE REFER TO 5016480000-SD/PSD/000.
4. 本製品は錫めっき品です。金めっき製品は5030950000-SD/PSD/000をご参照ください。  
THIS PRODUCT IS A TIN PLATING.  
PLEASE REFER TO 5030950000-SD/PSD/000 FOR GOLD PLATING PRODUCT.



Ø0.95-Ø1.5mm	AWG#22-26 0.126~0.34 mm <sup>2</sup>	ポリ袋 POLY BAG	5016471100	バラ状 LOOSE
		リール REEL	5016471000	連鎖状 CHAIN
絶縁被覆外形範囲 INS, RANGE	適用電線範囲 WIRE RANGE	梱包形態 PACKAGING	オーダー番号 ORDER No.	端子形状 FORM

1 TABLE 1

部品 PART		
ターミナル TERMINAL	材質 MATERIAL	銅合金 COPPER ALLOY
	めっき PLATING	錫めっき : 0.7 micro-meters MIN リフロー処理(前めっき) REFLOW TREATMENT (PRE-PLATING)

THIS DRAWING CONTAINS INFORMATION THAT IS PROPRIETARY TO MOLEX ELECTRONIC TECHNOLOGIES, LLC AND SHOULD NOT BE USED WITHOUT WRITTEN PERMISSION		CURRENT REV DESC:		<b>molex</b>	
DIMENSION UNITS	SCALE				
mm	NTS			IGRID 2.0 WIRE TO BOARD CRIMP TERMINAL TIN PLATING AWG#22-26	
GENERAL TOLERANCES (UNLESS SPECIFIED)				PRODUCT CUSTOMER DRAWING	
ANGULAR TOL	± 1.0 °			DOCUMENT NUMBER	
4 PLACES	± 0.2	EC NO: 672166		DOC TYPE	
3 PLACES	± 0.2	DRWN: SNAKAMURA08 2019/05/09		DOC PART	
2 PLACES	± 0.2	CHK'D: KOMURAKAMI 2021/08/05		REVISION	
1 PLACE	± 0.2	APPR: AIDA 2021/08/05		5016470000-SD	
0 PLACES	± 0.2	INITIAL REVISION:		PSD 000 A	
DRAFT WHERE APPLICABLE MUST REMAIN WITHIN DIMENSIONS		THIRD ANGLE PROJECTION	DRAWING	SERIES	MATERIAL NUMBER
			A3-SIZE	501647	CUSTOMER
					GENERAL
					SHEET NUMBER
					1 OF 2

## △<sub>2</sub> 適合製品及び各種仕様書

### APPLICABLE PRODUCTS AND VARIOUS SPECIFICATIONS

VARIOUS SPECIFICATIONS	仕様書番号 SPECIFICATION NUMBER	
製品仕様書 PRODUCT SPECIFICATION	PS-501646-001	
取扱説明書 APPLICABLE SPECIFICATION	5016460000/PS/-A00(JAPANESE)/-A01(ENGLISH)	
梱包仕様書 PACKING SPECIFICATION	5016479200/PS/200	
適合ハウジング APPLICABLE HOUSING	リセプタクルハウジング RECEPTACLE HOUSING	
シリーズ番号 SERIES No.	501646 SERIES	
適合嵌合相手 MATE WITH	プラグアッセンブリ PLUG ASSEMBLY	
	バーティカルタイプ VERTICAL TYPE	ライトアングルタイプ RIGHT ANGLE TYPE
シリーズ番号 SERIES No.	501645 SERIES	501876 SERIES

製品嵌合図は各"適合嵌合相手"図面参照のこと  
MATING VIEW: REFER TO EACH "MATE WITH" PART DRAWING

THIS DRAWING CONTAINS INFORMATION THAT IS PROPRIETARY TO MOLEX ELECTRONIC TECHNOLOGIES, LLC AND SHOULD NOT BE USED WITHOUT WRITTEN PERMISSION									
DIMENSION UNITS	SCALE	CURRENT REV DESC:					<b>molex</b>		
mm	NTS								
GENERAL TOLERANCES (UNLESS SPECIFIED)		EC NO: 672166					IGRID 2.0 WIRE TO BOARD CRIMP TERMINAL TIN PLATING AWG#22-26		
ANGULAR TOL	± 1.0 °	DRWN: SNAKAMURA08 2019/05/09					PRODUCT CUSTOMER DRAWING		
4 PLACES	± 0.2	CHK'D: KOMURAKAMI 2021/08/05					DOCUMENT NUMBER		
3 PLACES	± 0.2	APPR: AIDA 2021/08/05					5016470000-SD		
2 PLACES	± 0.2	INITIAL REVISION:					DOC TYPE	DOC PART	REVISION
1 PLACE	± 0.2	DRWN: SNAKAMURA08 2019/05/09					PSD	000	A
0 PLACES	± 0.2	APPR: AIDA 2021/08/05					SHEET NUMBER		
DRAFT WHERE APPLICABLE MUST REMAIN WITHIN DIMENSIONS		THIRD ANGLE PROJECTION	DRAWING	SERIES	MATERIAL NUMBER	CUSTOMER		SHEET NUMBER	
			A3-SIZE	501647	SEE SHEET 1	GENERAL		2 OF 2	