

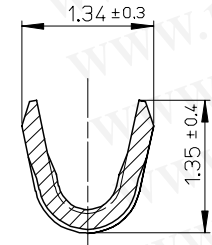
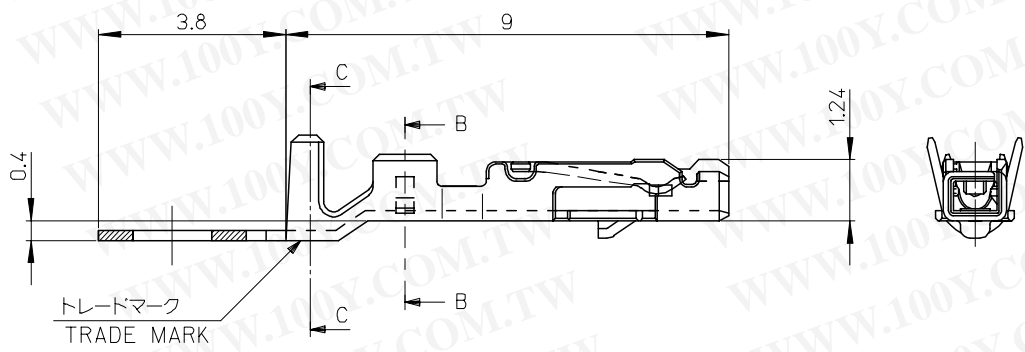
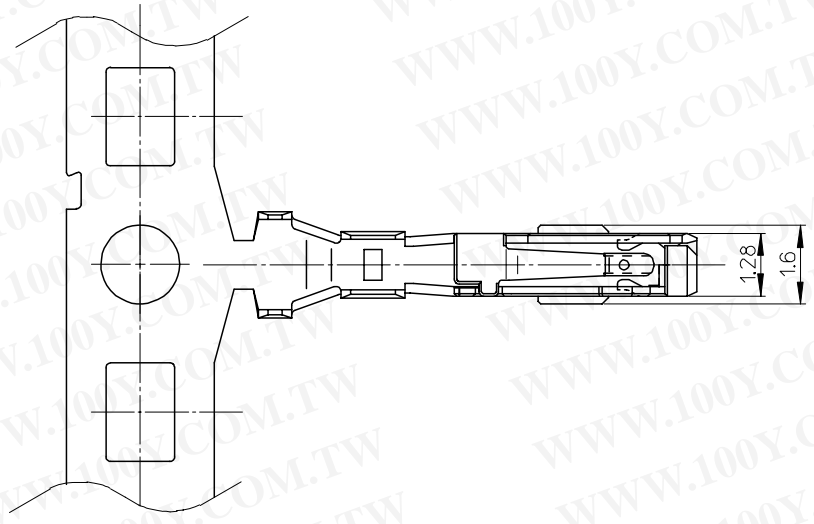
10 9 8 7 6 5 4 3 2 1

F
E
D
C
B
A

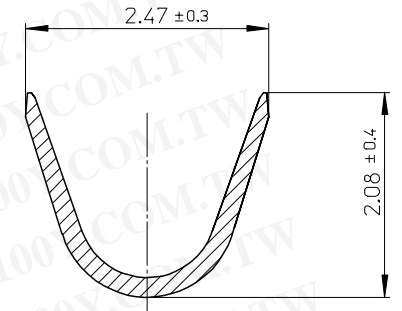
F
E
D
C
B
A

注記
NOTES

1. 使用材料 : 銅合金, 錫メッキ (t=0.2)
MATERIAL : PRE-TINNED COPPER ALLOY
2. 適合ハウジング : 501646 シリーズ
APPLICABLE HOUSING : 501646 SERIES
3. 電線仕様
CABLE SPEC.
AWG : #26-28
適用電線範囲 : 0.079~0.136mm²
WIRE RANGE
被覆外形 : $\phi 0.85 \sim \phi 1.4$ mm
INS. RANGE



SECTION B-B
(SCALE:20-1)



SECTION C-C
(SCALE:20-1)

501648-1100	パラ状 LOOSE
501648-1000	連続状 CHAIN
MATERIAL NO.	端子形状 FORM

勝特力材料 886-3-5753170
 胜特力电子(上海) 86-21-34970699
 胜特力电子(深圳) 86-755-83298787
[Http://www.100y.com.tw](http://www.100y.com.tw)

RELEASED EC NO: J2006-1616 DRW: NITO CHK: D: ASAKAWA APPR: S ICHIKAWA 2005/11/30 2005/11/30 2005/12/02	GENERAL TOLERANCES (UNLESS SPECIFIED)		DIMENSION STYLE MM ONLY		SCALE 10:1	DESIGN UNIT'S METRIC	THIRD ANGLE PROJECTION	
	10 UNDER	± 0.2	DRAWN BY N. ITO	DATE '05/11/22	TITLE 2.0 W/B DUAL CONN DIP RCPT TERM -LEAD FREE-			
	10 OVER 30 UNDER	± 0.25	CHECKED BY ASAKAWA	DATE '05/11/22	MOLEX INCORPORATED			
	30 OVER	± 0.3	APPROVED BY ICHIKAWA	DATE '05/11/22	MATERIAL NO. 501648-1*00	DOCUMENT NO. SD-501648-001	SHEET NO. 1 OF 1	
ANGULAR ± 1 °		DRAFT WHERE APPLICABLE MUST REMAIN WITHIN DIMENSIONS		THIS DRAWING CONTAINS INFORMATION THAT IS PROPRIETARY TO MOLEX INCORPORATED AND SHOULD NOT BE USED WITHOUT WRITTEN PERMISSION				