

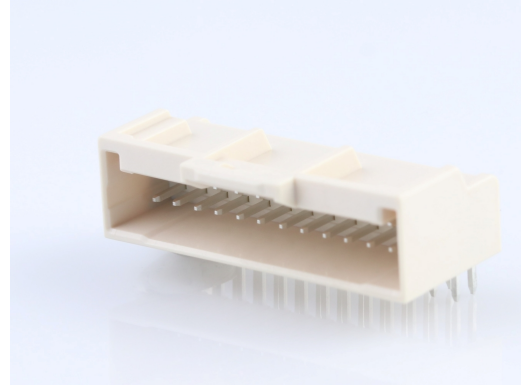
产品编号 : [5018762640](#)

Product Description : 2.00mm Pitch, iGrid PCB Header, Dual Row, Right-Angle, Through Hole, Tin (Sn) Plating, Positive Lock, 26 Circuits, Tray, 3.20mm PC Tail Length, Natural

系列号 : 501876

状态 : Active

Product Category : PCB Headers and Receptacles



文件和资源

图纸

[图纸 5018762640_sd.pdf](#)

3D 模型和设计文件

[3D模型 5018762640_stp.zip](#)

规格

[应用规格 5016460000-A00.pdf](#)

[应用规格 5016460000-A01.pdf](#)


[包装规格 SPK-501876-001-001.pdf](#)

[产品规格 PS-501646-001-001.pdf](#)

[产品规格 5016461001-PS-001.pdf](#)

产物环境合规

合规

GADSL/IMDS	Compliant with Exemption 44; 33
China RoHS	
EU ELV	Not Relevant
Low-Halogen Status	Not Low-Halogen per IEC 61249-2-21
REACH SVHC	Not Contained per D(2023)3788-DC (14 Jun 2023)
EU RoHS	Compliant per EU 2015/863

[多部分产品合规性声明](#)

- Eu RoHS

- REACH SVHC

- Low-Halogen

多部分行业合规性文件

- IPC 1752A Class C

- IPC 1752A Class D

- Molex Product Compliance Declaration

- IEC-62474

- chemSHERPA (xml)

欧盟 RoHS 合格证书

产品详情

常规

状态	活动
类别	PCB Headers and Receptacles
系列	501876
说明	2.00mm Pitch, iGrid PCB Header, Dual Row, Right-Angle, Through Hole, Tin (Sn) Plating, Positive Lock, 26 Circuits, Tray, 3.20mm PC Tail Length, Natural
应用	Signal, Wire-to-Board
元件类型	PCB Header
产品系列	iGrid Wire-to-Board Dual-Row System
产品名称	iGrid
UPC	822350321860

机构

CSA	LR19980
UL	E29179

电气

每触点最大电流	2.0A
电压 - 最大	250V AC (RMS)/DC

物理

断开	否
----	---

回路数 (已载入)	26
电路数 (最多)	26
颜色-树脂	Natural
耐用性(插拔次数) - 最多次数	30
阻燃性	94V-0
符合灼热丝规范	否
插接极性	是
锁定插接部位	是
材料 - 金属	Brass
材料 - 接合部位电镀	Tin
材料 - 终端电镀	Tin
材料 - 树脂	Nylon
净重	2045.000/mg
行数	2
方向	Right Angle
包装形式	Tray
PC 焊脚长度	3.20mm
PCB 定位器	否
PCB 保持力	无
推荐的 PCB 厚度	1.20mm, 1.60mm
间距 - 插配接口	2.00mm
有极性的插配件	是
PCB 极性	否
可堆叠的	否
运行温度范围	-40° to +105° C
终端界面类型	Through Hole

可配插/可连接使用的产品

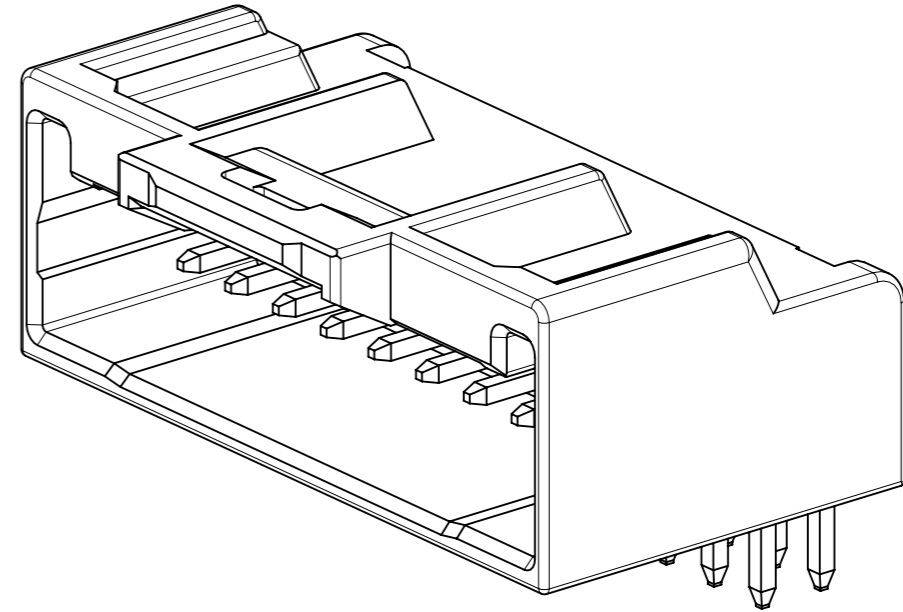
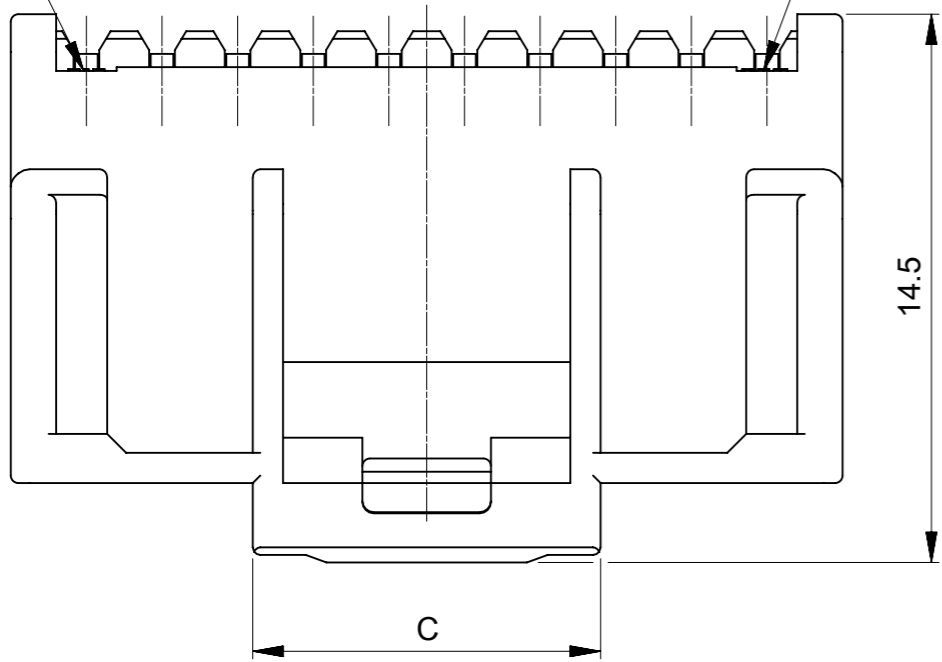
可配插部件

描述	产品编号
iGrid Dual Row Receptacle Housings	<u>501646</u>

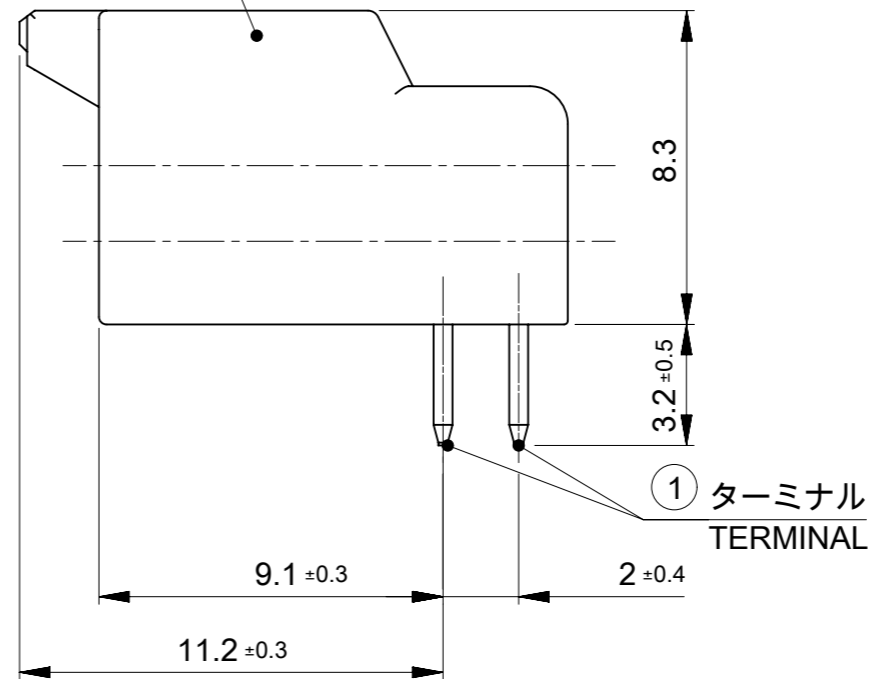
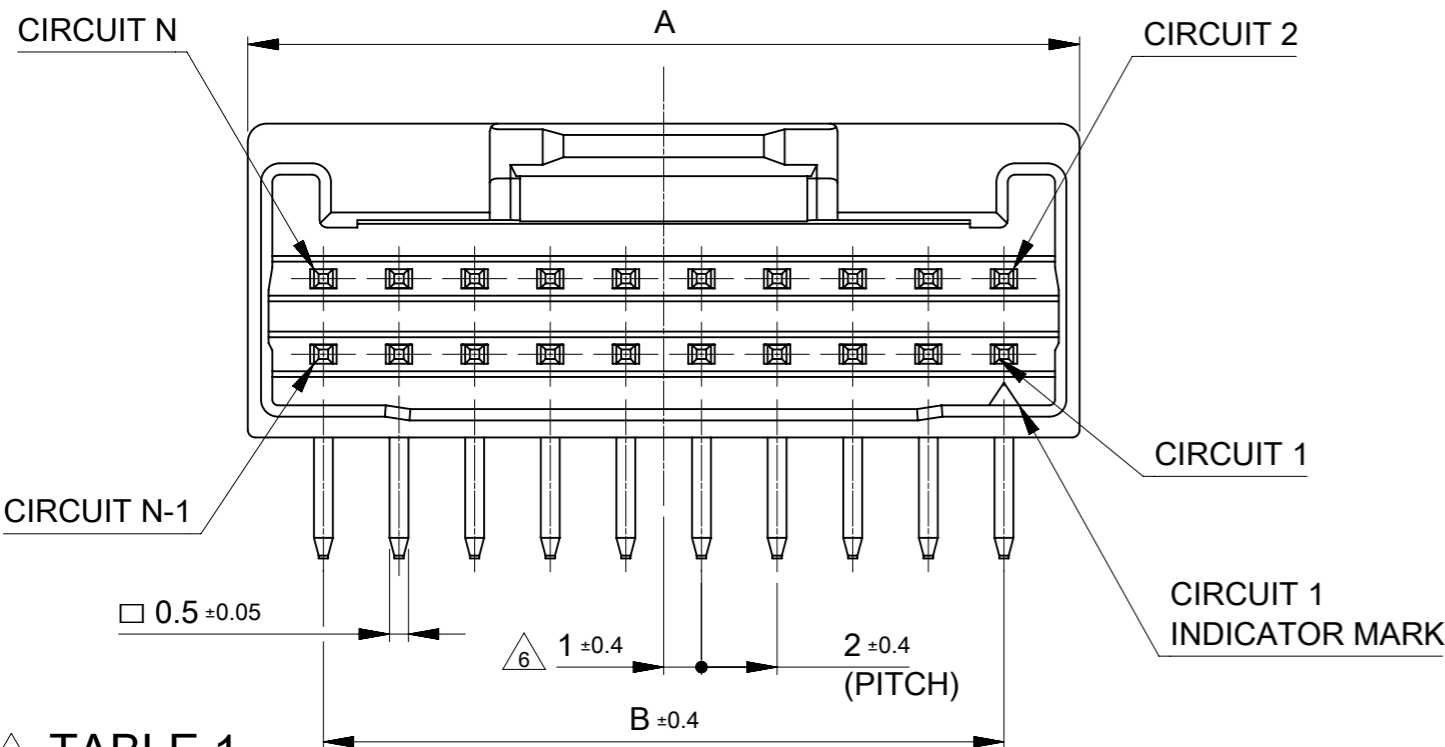
This document was generated on Dec 28, 2023

キャビティ番号
CAVITY No.

トレードマーク
TRADE MARK



②ハウジング
HOUSING



9.2	38	42	40
9.2	36	40	38
9.2	34	38	36
9.2	32	36	34
9.2	30	34	32
9.2	28	32	30
9.2	26	30	28
9.2	24	28	26
9.2	22	26	24
9.2	20	24	22
9.2	18	22	20
9.2	16	20	18
9.2	14	18	16
9.2	12	16	14
9.2	10	14	12
7.3	8	12	10
C	B	A	極数 CIRCUIT SIZE

① TABLE 1

番号 No.	部品 PART	材質 MATERIAL	
①	ターミナル TERMINAL	黄銅, BRASS	
		下地めっき UNDER PLATING	ニッケルめっき 1 micro-meter MIN NICKEL PLATING 1 micro-meter MIN
		コンタクト CONTACT	無光沢錫めっき 1 micro-meter MIN MATTE TIN PLATING 1 micro-meter MIN
		テール SOLDER TAIL	
②	ハウジング HOUSING	ポリアミド(PA)ガラス入り, UL94V-0, 色 : SEE CHART POLYAMIDE(PA) GLASS FILLED, UL94V-0, COLOR : SEE CHART	

THIS DRAWING CONTAINS INFORMATION THAT IS PROPRIETARY TO MOLEX ELECTRONIC TECHNOLOGIES, LLC AND SHOULD NOT BE USED WITHOUT WRITTEN PERMISSION

DIMENSION UNITS	SCALE	CURRENT REV DESC: REVISED	molex		
mm	NTS				
GENERAL TOLERANCES (UNLESS SPECIFIED)			IGRID 2.0 PLUG ASSEMBLY RIGHT ANGLE TIN PLATING		
ANGULAR TOL	± 3.0 °	EC NO: 721018	PRODUCT CUSTOMER DRAWING		
4 PLACES	± 0.2	DRWN: HHUSSIN	2022/09/06		
3 PLACES	± 0.2	CHK'D: SAKIYAMA	2022/11/21		
2 PLACES	± 0.2	APPR: AIDA	2022/11/21		
1 PLACE	± 0.2	INITIAL REVISION:			
0 PLACES	± 0.2	DRWN: SNAKAMURA08	2019/05/14	DOCUMENT NUMBER	DOC TYPE
DRAFT WHERE APPLICABLE MUST REMAIN WITHIN DIMENSIONS			2019/05/24	5018760000-SD	PSD
THIRD ANGLE PROJECTION			DRAWING	SERIES	DOC PART
A3-SIZE			501876	CUSTOMER	REVISION
SEE SHEET 3			GENERAL	1 OF 3	

NOTES.

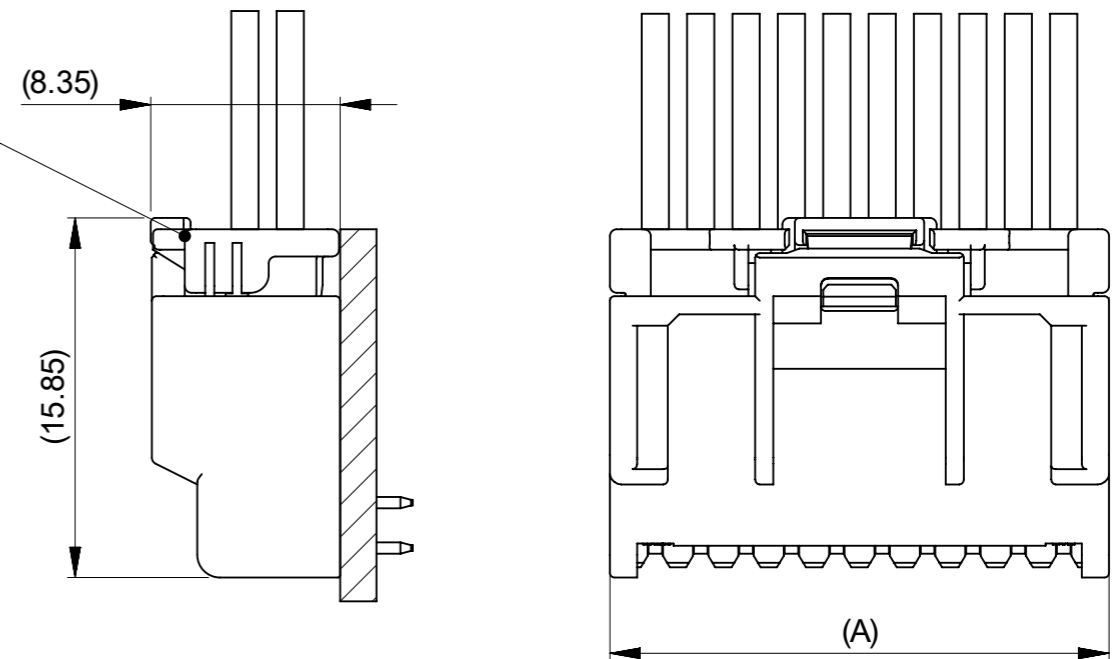
- 1. 材料及び仕上げ(めっき仕様) : TABLE 1 参照
MATERIAL AND FINISHES : SEE TABLE 1
- 2. 製品仕様書 : PS-501646-001
PRODUCT SPECIFICATION:PS-501646-001
- 3. 嵌合相手:
MATES WITH:

リセプタクルハウジング RECEPTACLE HOUSING	501646 SERIES	
圧着端子 RECEPTACLE CRIMP TERMINAL	AWG #22-26 錫めっき AWG #22-26 TIN PLATING	501647 SERIES
	AWG #26-28 錫めっき AWG #26-28 TIN PLATING	501648 SERIES

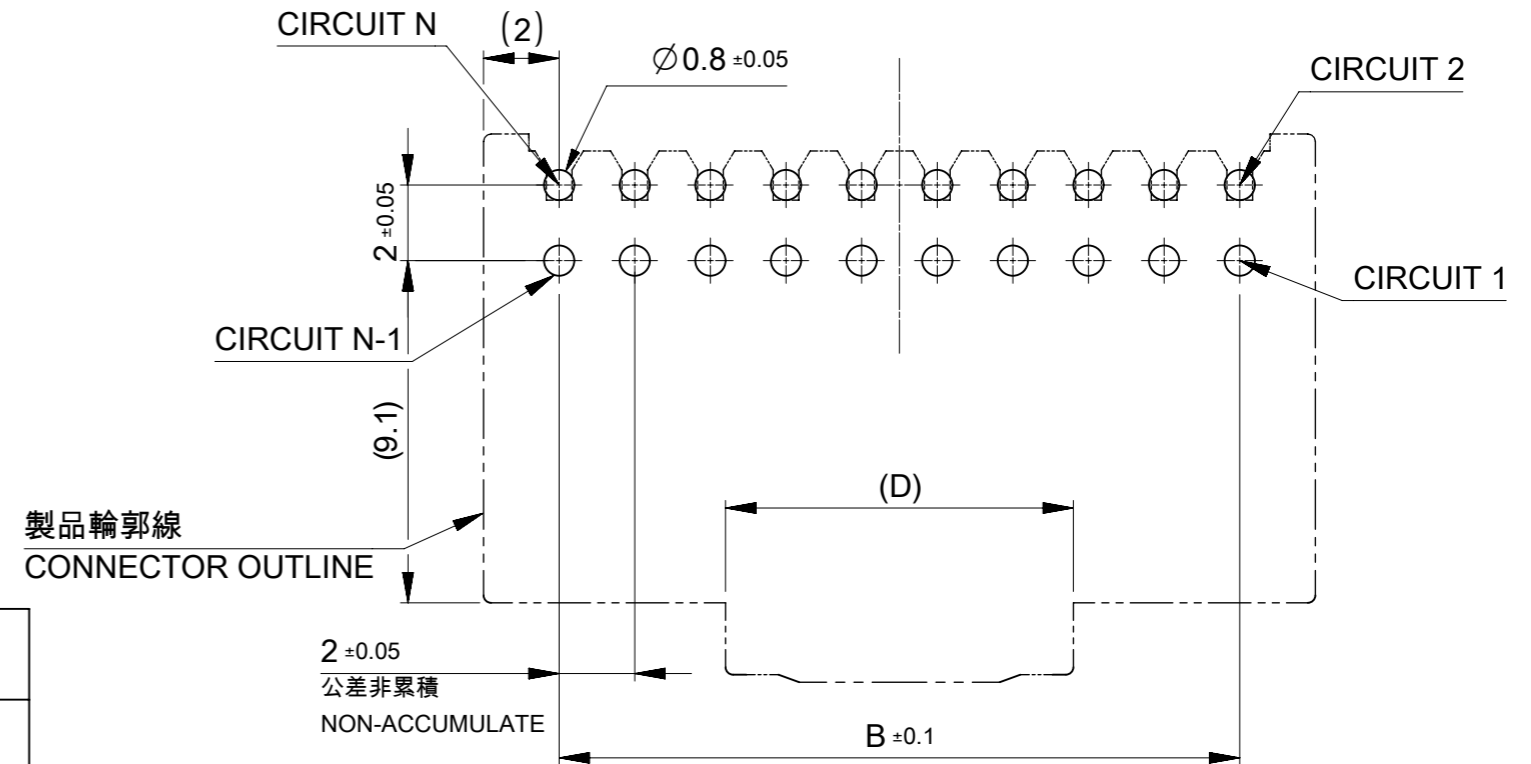
- 4. アプリケーション仕様書(コネクタ取扱い説明書) : 5016460000-PS A01
APPLICATION SPECIFICATION(CONNECTOR MANNUAL): 5016460000-PS A00
- 5. 本製品は錫めっき品です。
THIS PRODUCT IS A TIN PLATING.
- 6. 極数/2 = 偶数に適応
APPLY FOR CIRCUIT SIZE / 2 =EVEN
- 7. ターミナルに錫めっきを使用している為、外観に摺動痕が付く場合があります。
THE WOUND OF FRICTION MIGHT ADHERE TO EXTERNALS
BECAUSE THE TIN PLATING IS USED IN TERMINAL.
- 8. 梱包仕様書: SPK-501876-001
PACKING INFORMATION : SPK-501876-001
- 9. 発注番号 : SHEET 3 参照
ORDER No. : PLEASE REFER TO SHEET 3 FOR PRODUCT LIST

501876 **4*	ハウジングカラー HOUSING COLOR
極数 CIRCUIT SIZE	0:ナチュラル NATURAL (白 WHITE)
	1:黒 BLACK
	2:赤 RED
	4:青 BLUE
	6:緑 GREEN

嵌合相手 501646 SERIES
MATE WITH : 501646 SERIES



嵌合図
MATED CONNECTORS



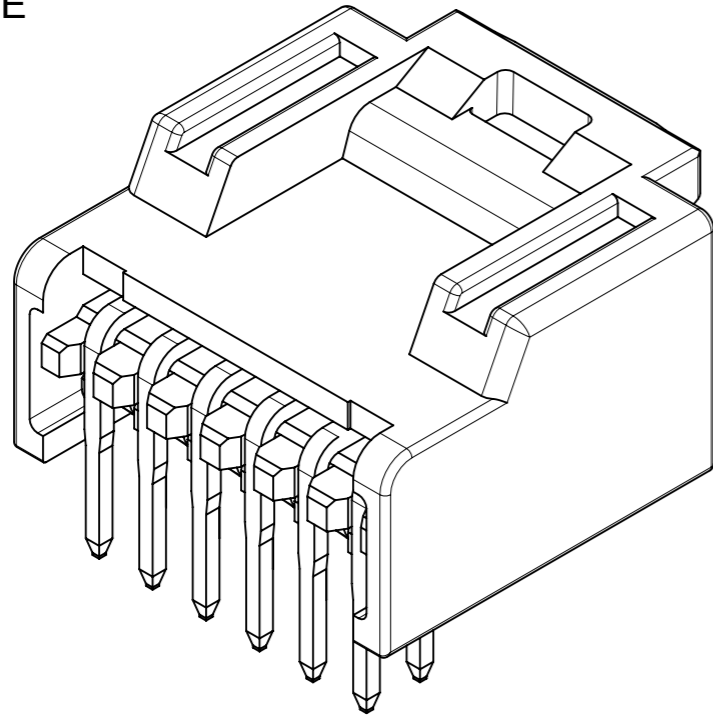
製品輪郭線
CONNECTOR OUTLINE

基板取付穴推奨寸法(マウント面)
RECOMMENDED PCB HOLE DIMENSION (MOUNTING SIDE)
参考基板厚 t=1.2~1.6
REFERANCE PCB THICKNESS t=1.2~1.6

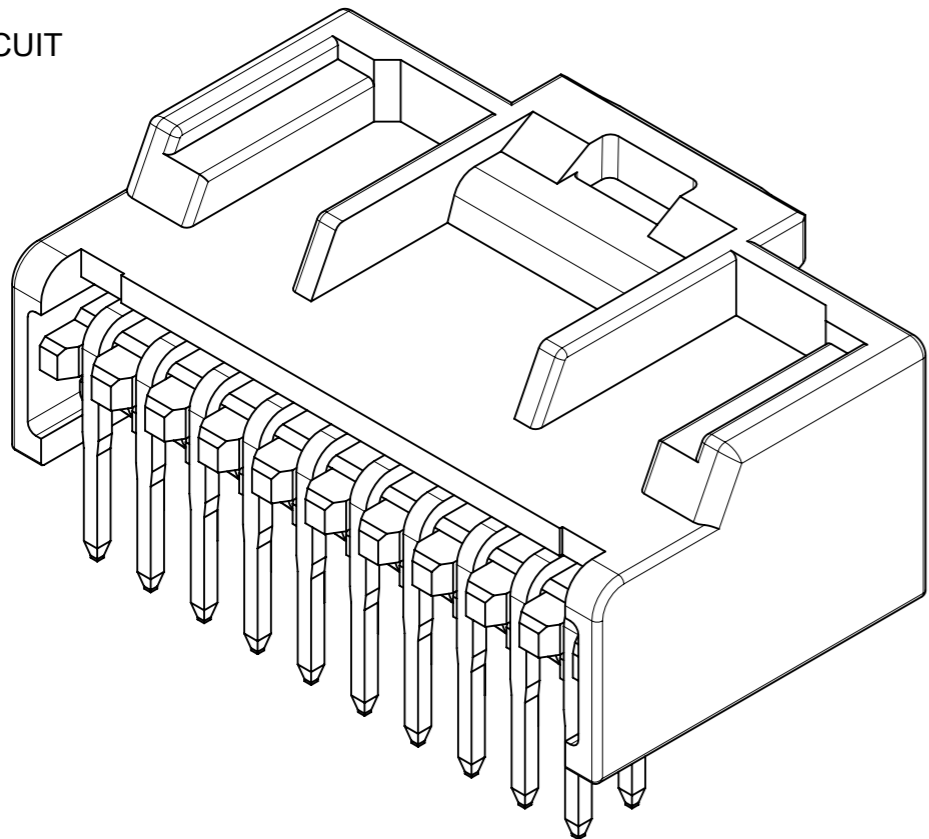
THIS DRAWING CONTAINS INFORMATION THAT IS PROPRIETARY TO MOLEX ELECTRONIC TECHNOLOGIES, LLC AND SHOULD NOT BE USED WITHOUT WRITTEN PERMISSION		CURRENT REV DESC: REVISED		molex	
DIMENSION UNITS	SCALE				
mm	NTS			IGRID 2.0 PLUG ASSEMBLY RIGHT ANGLE TIN PLATING	
GENERAL TOLERANCES (UNLESS SPECIFIED)				PRODUCT CUSTOMER DRAWING	
ANGULAR TOL	± 3.0 °	EC NO: 721018		DOCUMENT NUMBER	DOC TYPE
4 PLACES	± 0.2	DRWN: HHUSSIN	2022/09/06	5018760000-SD	PSD
3 PLACES	± 0.2	CHK'D: SAKIYAMA	2022/11/21		
2 PLACES	± 0.2	APPR: AIDA	2022/11/21	SHEET NUMBER	
1 PLACE	± 0.2	INITIAL REVISION:		2 OF 3	
0 PLACES	± 0.2	DRWN: SNAMURA08	2019/05/14	MATERIAL NUMBER	
DRAFT WHERE APPLICABLE MUST REMAIN WITHIN DIMENSIONS		APPR: KOMURAKAMI	2019/05/24	CUSTOMER	
THIRD ANGLE PROJECTION		DRAWING	SERIES	SHEET NUMBER	
A3-SIZE		501876	SEE SHEET 3	GENERAL	

製品形状
PRODUCT SHAPE

10, 12 極
10, 12 CIRCUIT



14 - 40 極
14 - 40 CIRCUIT



△ 製品一覧 PRODUCT LIST

緑: GREEN	青: BLUE	赤: RED	黒: BLACK	ナチュラル: NATURAL (白: WHITE)	HOUSING COLOR
501876 4046	501876 4044	501876 4042	501876 4041	501876 4040	40
↑ 3846	↑ 3844	↑ 3842	↑ 3841	↑ 3840	38
3646	3644	3642	3641	3640	36
3446	3444	3442	3441	3440	34
3246	3244	3242	3241	3240	32
3046	3044	3042	3041	3040	30
2846	2844	2842	2841	2840	28
2646	2644	2642	2641	2640	26
2446	2444	2442	2441	2440	24
2246	2244	2242	2241	2240	22
2046	2044	2042	2041	2040	20
1846	1844	1842	1841	1840	18
1646	1644	1642	1641	1640	16
1446	1444	1442	1441	1440	14
↓ 1246	↓ 1244	↓ 1242	↓ 1241	↓ 1240	12
501876 1046	501876 1044	501876 1042	501876 1041	501876 1040	10
発注番号 ORDER No.					極数
PACKAGING STYLE : TRAY					CIRCUIT SIZE

THIS DRAWING CONTAINS INFORMATION THAT IS PROPRIETARY TO MOLEX ELECTRONIC TECHNOLOGIES, LLC AND SHOULD NOT BE USED WITHOUT WRITTEN PERMISSION

DIMENSION UNITS mm	SCALE NTS	CURRENT REV DESC: REVISED		molex		
GENERAL TOLERANCES (UNLESS SPECIFIED)		EC NO: 721018				
ANGULAR TOL ± 3.0°	4 PLACES ± 0.2	DRWN: HHUSSIN		2022/09/06		
3 PLACES ± 0.2	2 PLACES ± 0.2	CHK'D: SAKIYAMA		2022/11/21		
1 PLACE ± 0.2	0 PLACES ± 0.2	APPR: AIDA		2022/11/21		
DRAFT WHERE APPLICABLE MUST REMAIN WITHIN DIMENSIONS		INITIAL REVISION: DRWN: SNAKAMURA08		2019/05/14		
THIRD ANGLE PROJECTION		APPR: KOMURAKAMI		2019/05/24		
DRAWING A3-SIZE		SERIES 501876		DOCUMENT NUMBER 5018760000-SD		
MATERIAL NUMBER SEE CHART		CUSTOMER GENERAL		DOC TYPE DOC PART REVISION PSD 000 D		
SHEET NUMBER 3 OF 3						