



产品编号 : 5018763440

Product Description : 2.00mm Pitch, iGrid PCB Header, Dual Row, Right-Angle, Through Hole, Matte Tin (Sn) Plating, Positive Lock, 34 Circuits, Tray, 3.20mm PC Tail Length, Natural

系列号 : 501876

状态 : Active

Product Category : PCB Headers and Receptacles

文件和资源

图纸

图纸 5018763440_sd.pdf

3D 模型和设计文件

2D 图纸 DXF 5018763440.dxf

2D 图纸 DXF PDF 5018763440.pdf

3D模型 5018763440_stp.zip

规格

应用规格 5016460000-A00.pdf

应用规格 5016460000-A01.pdf


包装规格 SPK-501876-001-001.pdf

产品规格 5016461001-PS-001.pdf

产品规格 PS-501646-001-001.pdf

产物环境合规

合规

GADSL/IMDS	Not Relevant
China RoHS	
EU ELV	Not Relevant
Low-Halogen Status	Not Low-Halogen per IEC 61249-2-21
REACH SVHC	Not Contained per D(2023)8585-DC (23 Jan 2024)
EU RoHS	Compliant per EU 2015/863

多部分产品合规性声明

- Eu RoHS

- REACH SVHC

- Low-Halogen
- IPC 1752A Class C
- IPC 1752A Class D
- Molex Product Compliance Declaration
- IEC-62474
- chemSHERPA (xml)

欧盟 RoHS 合格证书

产品详情

常规

状态	活动
类别	PCB Headers and Receptacles
系列	501876
说明	2.00mm Pitch, iGrid PCB Header, Dual Row, Right-Angle, Through Hole, Matte Tin (Sn) Plating, Positive Lock, 34 Circuits, Tray, 3.20mm PC Tail Length, Natural
应用	Signal, Wire-to-Board
元件类型	PCB Header
产品系列	iGrid Wire-to-Board Dual-Row System
产品名称	iGrid
UPC	822350171076

机构

CSA	LR19980
UL	E29179

电气

每触点最大电流	2.0A
电压 - 最大	250V AC (RMS)/DC

物理

断开	否
回路数 (已载入)	34
电路数 (最多)	34

颜色-树脂	Natural
耐用性(插拔次数) - 最多次数	30
阻燃性	94V-0
符合灼热丝规范	否
插接极性	是
锁定插接部位	是
材料 - 金属	Brass
材料 - 接合部位电镀	Matte Tin
材料 - 终端电镀	Matte Tin
材料 - 树脂	Polyamide
净重	2585.000/mg
行数	2
方向	Right Angle
包装形式	Tray
PC 焊脚长度	3.20mm
PCB 定位器	否
PCB 保持力	无
推荐的 PCB 厚度	1.20mm, 1.60mm
间距 - 插配接口	2.00mm
有极性的插配件	是
PCB 极性	否
可堆叠的	否
运行温度范围	-40° to +105° C
终端界面类型	Through Hole

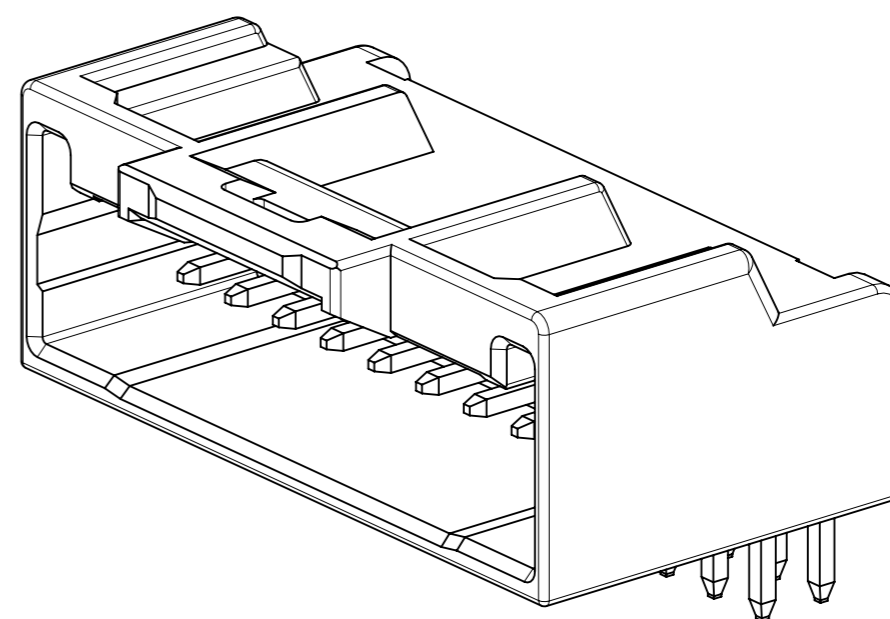
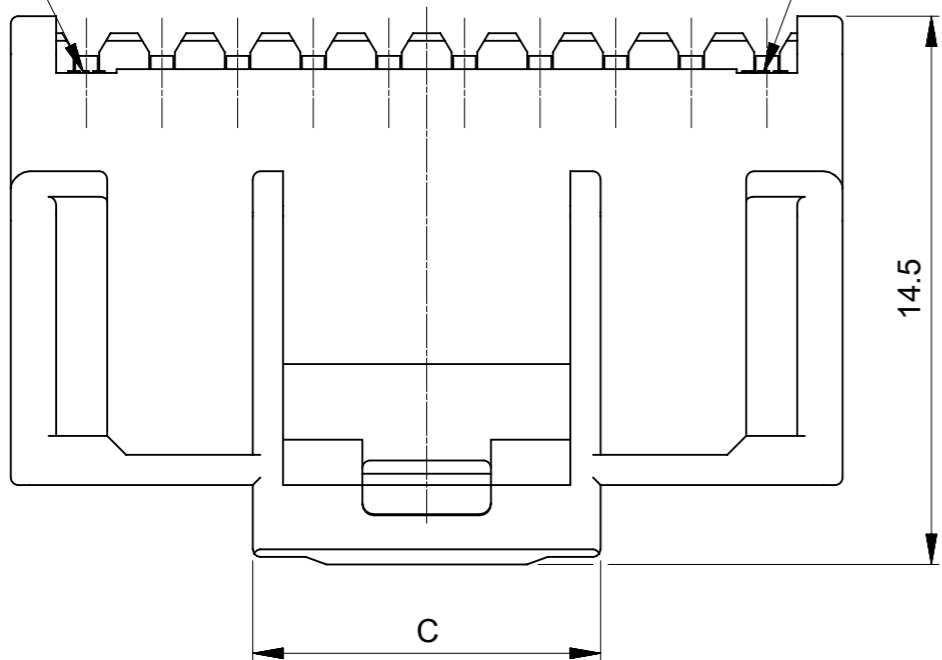
可配插/可连接使用的产品

可配插部件

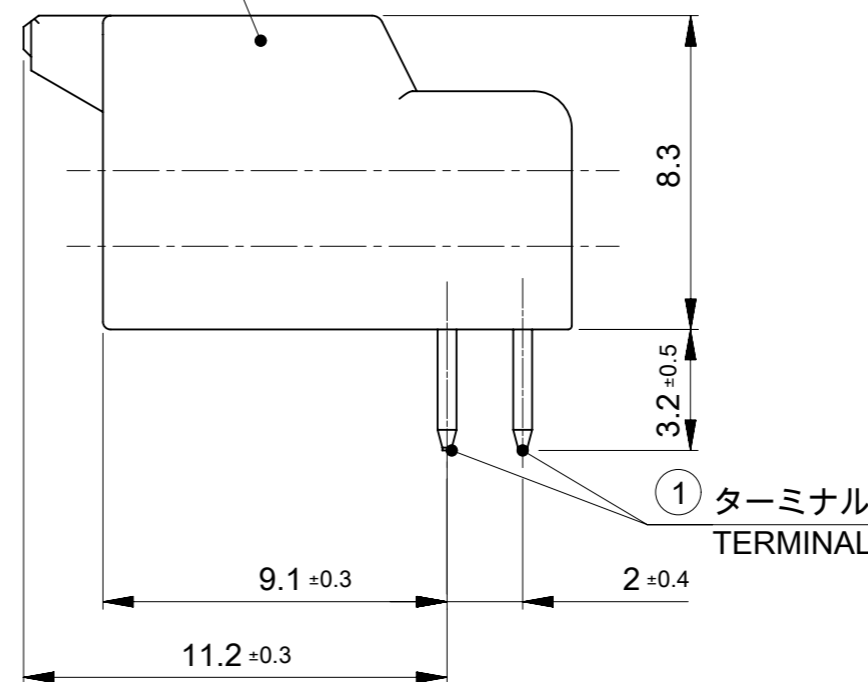
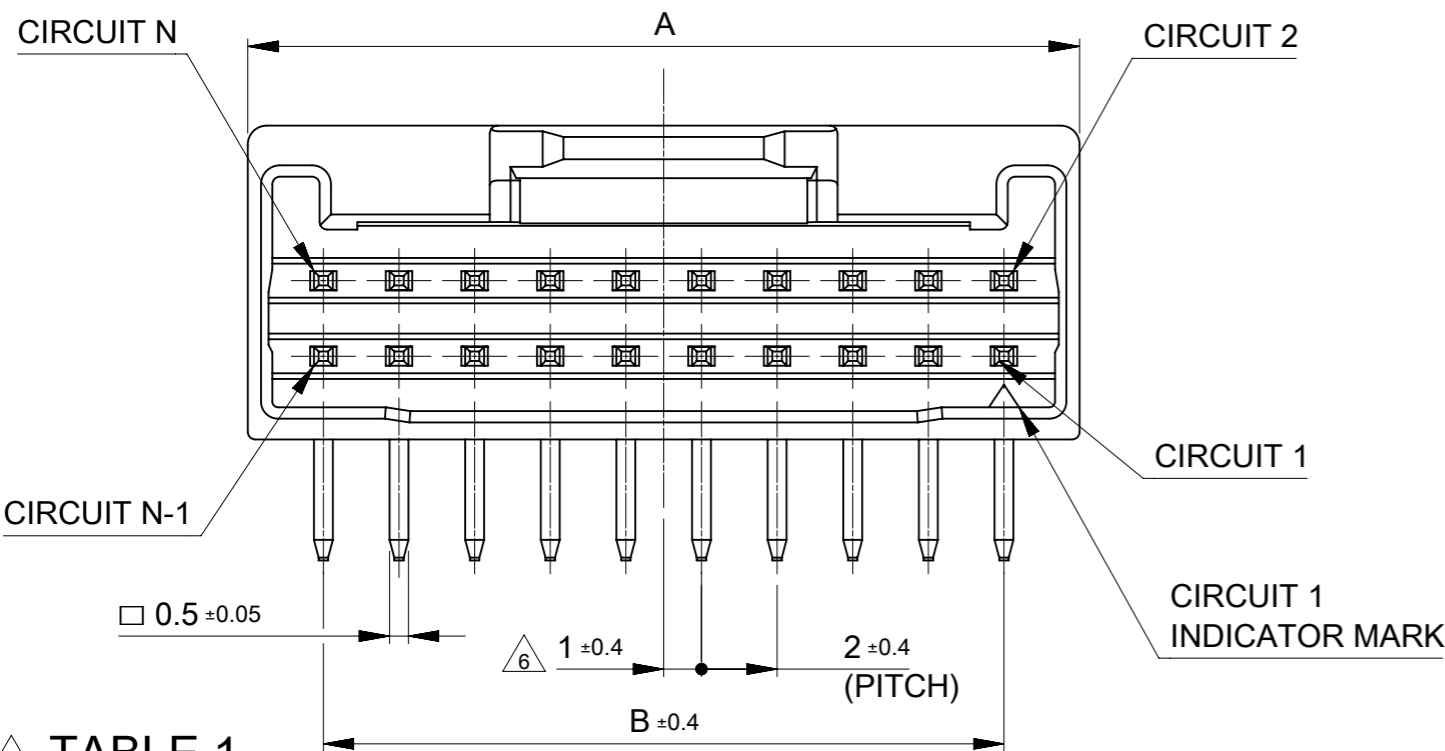
描述	产品编号
iGrid Dual Row Receptacle Housings	<u>501646</u>

キャビティ番号
CAVITY No.

トレードマーク
TRADE MARK



②ハウジング
HOUSING



9.2	38	42	40
9.2	36	40	38
9.2	34	38	36
9.2	32	36	34
9.2	30	34	32
9.2	28	32	30
9.2	26	30	28
9.2	24	28	26
9.2	22	26	24
9.2	20	24	22
9.2	18	22	20
9.2	16	20	18
9.2	14	18	16
9.2	12	16	14
9.2	10	14	12
7.3	8	12	10
C	B	A	極数 CIRCUIT SIZE

① TABLE 1

番号 No.	部品 PART	材質 MATERIAL	
①	ターミナル TERMINAL	黄銅, BRASS	
		下地めっき UNDER PLATING	ニッケルめっき 1 micro-meter MIN NICKEL PLATING 1 micro-meter MIN
		コンタクト CONTACT	無光沢錫めっき 1 micro-meter MIN MATTE TIN PLATING 1 micro-meter MIN
		テール SOLDER TAIL	
②	ハウジング HOUSING	ポリアミド(PA)ガラス入り, UL94V-0, 色 : SEE CHART POLYAMIDE(PA) GLASS FILLED, UL94V-0, COLOR : SEE CHART	

THIS DRAWING CONTAINS INFORMATION THAT IS PROPRIETARY TO MOLEX ELECTRONIC TECHNOLOGIES, LLC AND SHOULD NOT BE USED WITHOUT WRITTEN PERMISSION

DIMENSION UNITS	SCALE	CURRENT REV DESC: REMOVED OBSOLETE PART NUMBERS AS PER PCN#513389
mm	NTS	
GENERAL TOLERANCES (UNLESS SPECIFIED)		
ANGULAR TOL	± 3.0 °	
4 PLACES	± 0.2	EC NO: 781755
3 PLACES	± 0.2	DRWN: MADHAM5 2024/03/18
2 PLACES	± 0.2	CHK'D: GGA 2024/04/10
1 PLACE	± 0.2	APPR: GGA 2024/04/10
0 PLACES	± 0.2	INITIAL REVISION:
DRAFT WHERE APPLICABLE MUST REMAIN WITHIN DIMENSIONS		
THIRD ANGLE PROJECTION	DRAWING	SERIES
	A3-SIZE	501876
MATERIAL NUMBER	CUSTOMER	SHEET NUMBER
5018760000-SD	GENERAL	1 OF 3

DOCUMENT NUMBER: 5018760000-SD
DOC TYPE: PSD
DOC PART: 000
REVISION: D1

PRODUCT CUSTOMER DRAWING

NOTES.

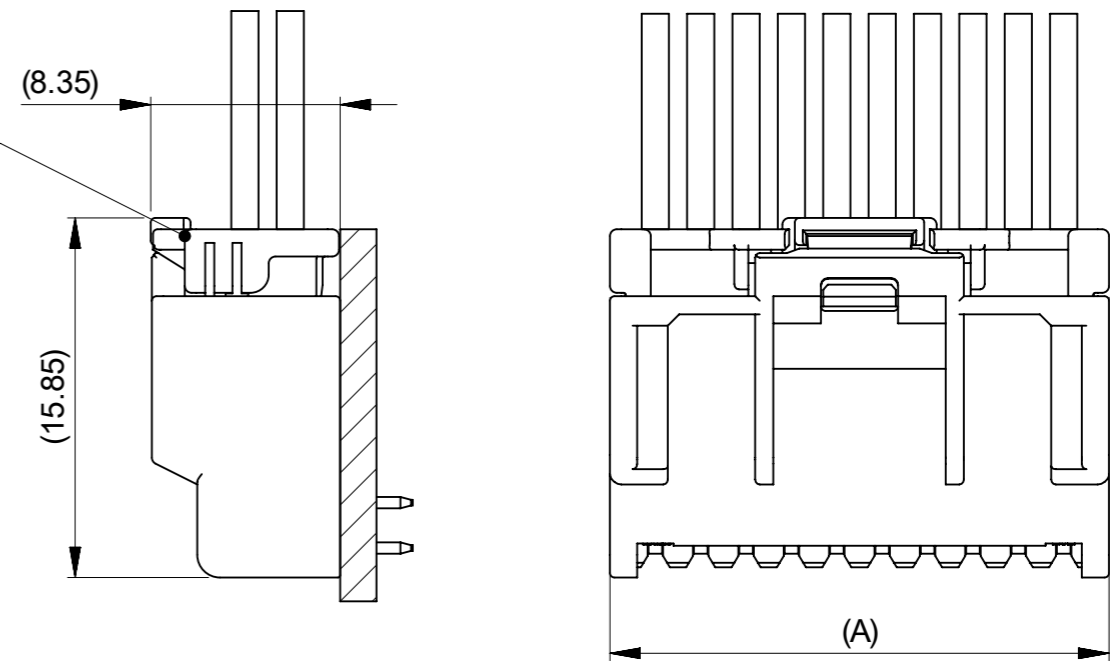
1. 材料及び仕上げ(めっき仕様) : TABLE 1 参照
MATERIAL AND FINISHES : SEE TABLE 1
2. 製品仕様書 : PS-501646-001
PRODUCT SPECIFICATION:PS-501646-001
3. 嵌合相手:
MATES WITH:

リセプタクルハウジング RECEPTACLE HOUSING	501646 SERIES	
圧着端子 RECEPTACLE CRIMP TERMINAL	AWG #22-26 錫めっき AWG #22-26 TIN PLATING	501647 SERIES
	AWG #26-28 錫めっき AWG #26-28 TIN PLATING	501648 SERIES

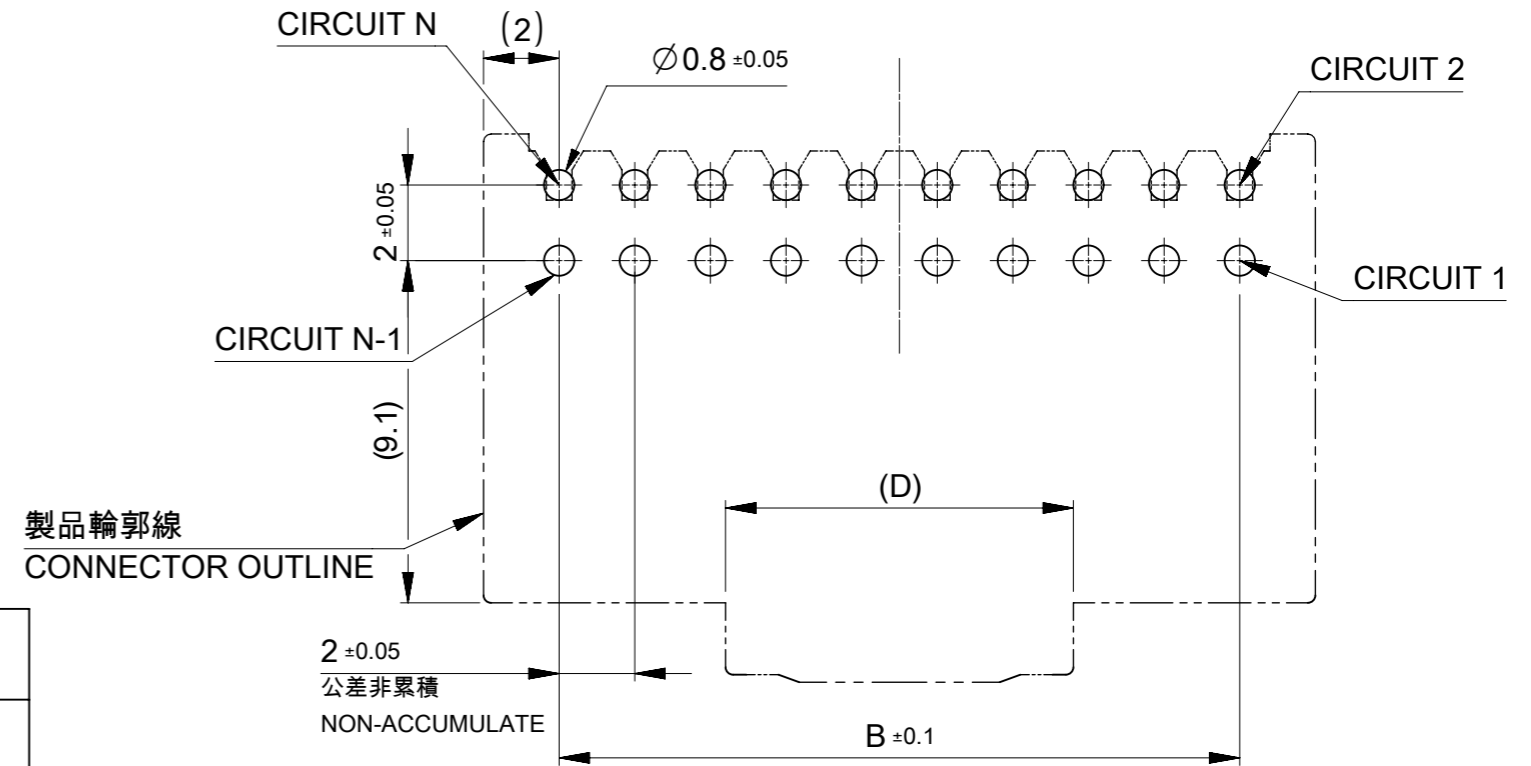
4. アプリケーション仕様書(コネクタ取扱い説明書) : 5016460000-PS A01
APPLICATION SPECIFICATION(CONNECTOR MANNUAL): 5016460000-PS A00
5. 本製品は錫めっき品です。
THIS PRODUCT IS A TIN PLATING.
6. 極数/2 = 偶数に適応
APPLY FOR CIRCUIT SIZE / 2 =EVEN
7. ターミナルに錫めっきを使用している為、外観に摺動痕が付く場合があります。
THE WOUND OF FRICTION MIGHT ADHERE TO EXTERNALS
BECAUSE THE TIN PLATING IS USED IN TERMINAL.
8. 梱包仕様書: SPK-501876-001
PACKING INFORMATION : SPK-501876-001
9. 発注番号 : SHEET 3 参照
ORDER No. : PLEASE REFER TO SHEET 3 FOR PRODUCT LIST

501876	**4*	ハウジングカラー HOUSING COLOR
極数 CIRCUIT SIZE		0:ナチュラル NATURAL (白 WHITE)
		1:黒 BLACK
		2:赤 RED
		4:青 BLUE

嵌合相手 501646 SERIES
MATE WITH : 501646 SERIES



嵌合図
MATED CONNECTORS



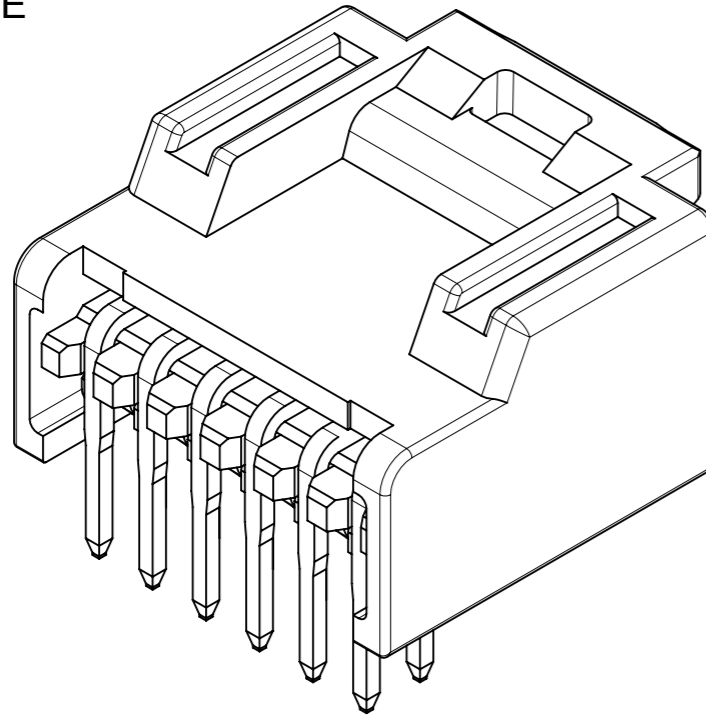
製品輪郭線
CONNECTOR OUTLINE

基板取付穴推奨寸法(マウント面)
RECOMMENDED PCB HOLE DIMENSION (MOUNTING SIDE)
参考基板厚 t=1.2~1.6
REFERANCE PCB THICKNESS t=1.2~1.6

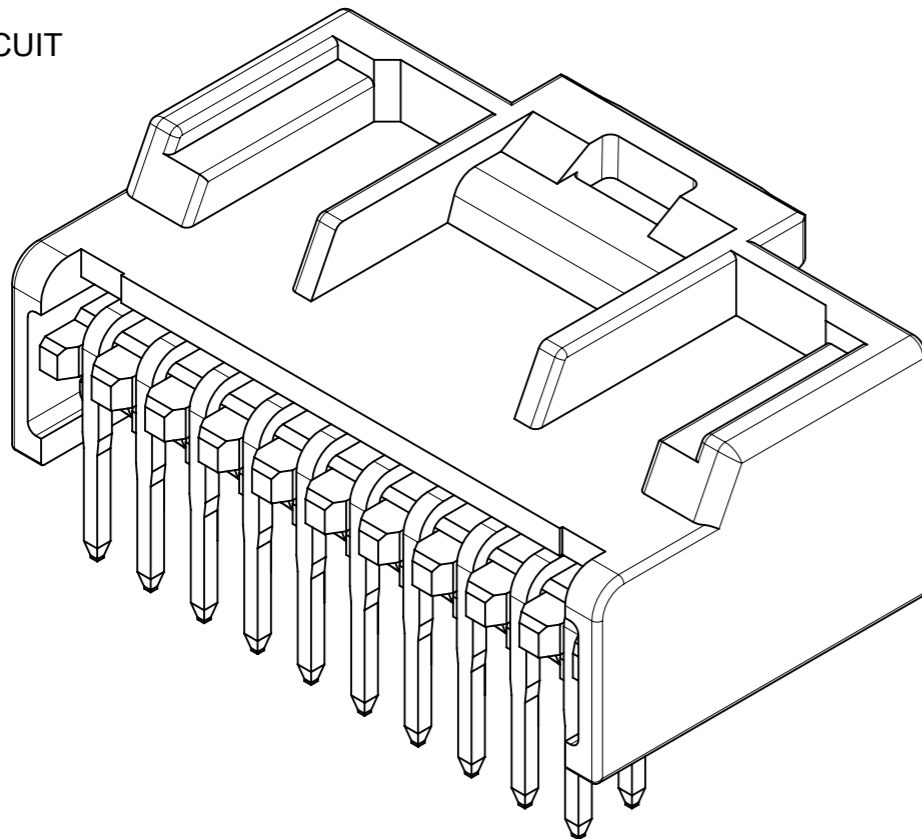
THIS DRAWING CONTAINS INFORMATION THAT IS PROPRIETARY TO MOLEX ELECTRONIC TECHNOLOGIES, LLC AND SHOULD NOT BE USED WITHOUT WRITTEN PERMISSION									
DIMENSION UNITS	SCALE	CURRENT REV DESC: REMOVED OBSOLETE PART NUMBERS AS PER PCN#513389							
mm	NTS								
GENERAL TOLERANCES (UNLESS SPECIFIED)									
ANGULAR TOL	± 3.0 °	IGRID 2.0 PLUG ASSEMBLY RIGHT ANGLE TIN PLATING							
4 PLACES	± 0.2	PRODUCT CUSTOMER DRAWING							
3 PLACES	± 0.2	DOCUMENT NUMBER							
2 PLACES	± 0.2	5018760000-SD							
1 PLACE	± 0.2	DOC TYPE							
0 PLACES	± 0.2	PSD							
DRAFT WHERE APPLICABLE MUST REMAIN WITHIN DIMENSIONS		THIRD ANGLE PROJECTION		DRAWING	SERIES	MATERIAL NUMBER	CUSTOMER	SHEET NUMBER	
				A3-SIZE	501876	SEE SHEET 3	GENERAL	2 OF 3	

製品形状
PRODUCT SHAPE

10, 12 極
10, 12 CIRCUIT



14 - 40 極
14 - 40 CIRCUIT



△ 製品一覧 PRODUCT LIST

青: BLUE	赤: RED	黒: BLACK	ナチュラル: NATURAL (白: WHITE)	HOUSING COLOR
501876 4044	501876 4042	501876 4041	501876 4040	40
↑ 3844	↑ 3842	↑ 3841	↑ 3840	38
3644	3642	3641	3640	36
3444	3442	3441	3440	34
3244	3242	3241	3240	32
3044	3042	3041	3040	30
2844	2842	2841	2840	28
2644	2642	2641	2640	26
2444	2442	2441	2440	24
2244	2242	2241	2240	22
2044	2042	2041	2040	20
1844	1842	1841	1840	18
1644	1642	1641	1640	16
1444	1442	1441	1440	14
↓ 1244	↓ 1242	↓ 1241	↓ 1240	12
501876 1044	501876 1042	501876 1041	501876 1040	10

発注番号 ORDER No.

極数

PACKAGING STYLE : TRAY

CIRCUIT SIZE

THIS DRAWING CONTAINS INFORMATION THAT IS PROPRIETARY TO MOLEX ELECTRONIC TECHNOLOGIES, LLC AND SHOULD NOT BE USED WITHOUT WRITTEN PERMISSION

DIMENSION UNITS mm	SCALE NTS	CURRENT REV DESC: REMOVED OBSOLETE PART NUMBERS AS PER PCN#513389		molex	
GENERAL TOLERANCES (UNLESS SPECIFIED)		EC NO: 781755 DRWN: MADHAM5 2024/03/18 CHK'D: GGA 2024/04/10 APPR: GGA 2024/04/10			
ANGULAR TOL ± 3.0 °		INITIAL REVISION:		DOCUMENT NUMBER	
4 PLACES ± 0.2	3 PLACES ± 0.2	DRWN: SNAKAMURA08 2019/05/14	APPR: KOMURAKAMI 2019/05/24	5018760000-SD	
2 PLACES ± 0.2	1 PLACE ± 0.2	DRAFT WHERE APPLICABLE MUST REMAIN WITHIN DIMENSIONS		DOC TYPE	DOC PART
0 PLACES ± 0.2	THIRD ANGLE PROJECTION		DRAWING	SERIES	REVISION
A3-SIZE		501876	SEE CHART	GENERAL	D1
SHEET NUMBER		3 OF 3			