



产品编号 : 5019390400

Product Description : 1.00mm Pitch, Pico-Clasp Low-Halogen Receptacle Crimp Housing, Single Row, Outer Positive Lock, 4 Circuits, White

系列号 : 501939

状态 : Active

Product Category : Connector Housings

文件和资源

图纸

图纸 5019390400_sd.pdf

3D 模型和设计文件

2D 图纸 DXF 5019390400.dxf

2D 图纸 DXF PDF 5019390400.pdf

3D模型 5019390400_stp.zip

规格

应用规格 5013300000-AS-000.pdf

应用规格 5013300000-AS-001.pdf

包装规格 SPK-501939-001-001.pdf

产品规格 5019390000-PS-001.pdf

产品规格 5019390000-PS-002.pdf

产品规格 5019390000-PS-003.pdf

产品规格 5019391000-PS-001.pdf

产品规格 5019391000-PS-002.pdf

产品规格 5019391000-PS-003.pdf

产品规格 5019391000-PS-CHI-001.pdf

产品规格 5019391000-PS-JAP-001.pdf

产品规格 5019401001-PS-001.pdf

产品规格 5019401001-PS-CHI-001.pdf

产品规格 5019401001-PS-JAP-001.pdf


产品规格 5019401001-PS-KOR-001.pdf

产品规格 5019401001-PS-SPA-001.pdf

产品规格 PS-501940-001-001.pdf

产物环境合规

合规

GADSL/IMDS	Not Relevant
China RoHS	
EU ELV	Not Relevant

Low-Halogen Status	Low-Halogen per IEC 61249-2-21
REACH SVHC	Not Contained per D(2023)8585-DC (23 Jan 2024)
EU RoHS	Compliant per EU 2015/863

多部分产品合规性声明

- Eu RoHS
- REACH SVHC
- Low-Halogen

- IPC 1752A Class C
- IPC 1752A Class D
- Molex Product Compliance Declaration
- IEC-62474
- chemSHERPA (xml)

欧盟 RoHS 合格证书

产品详情

常规

状态	活动
类别	Connector Housings
系列	501939
说明	1.00mm Pitch, Pico-Clasp Low-Halogen Receptacle Crimp Housing, Single Row, Outer Positive Lock, 4 Circuits, White
应用	Signal, Wire-to-Board
产品系列	Pico-Clasp Wire-to-Board Connectors
产品名称	Pico-Clasp
UPC	822350286954

机构

UL	E29179
----	--------

物理

电路数 (最多)	4
颜色-树脂	白色
性别	Receptacle

符合灼热丝规范	否
插接极性	无
锁定插接部位	是
材料 - 树脂	Nylon
净重	54.900/mg
行数	1
包装形式	Bag
面板安装式	否
间距 - 插配接口	1.00mm
间距 - 终端界面	1.00mm
有极性的插配件	是
可堆叠的	否
运行温度范围	-40° to +105° C

可配插/可连接使用的产品

可配插部件

描述	产品编号
Pico-Clasp Vertical, Single Row, Surface Mount Headers	<u>203560</u>
Pico-Clasp Vertical, Single Row, Surface Mount Headers	<u>203561</u>
Pico-Clasp Vertical Single Row Headers	<u>501940</u>
Pico-Clasp Right-Angle, Single Row, Surface Mount Headers	<u>203562</u>
Pico-Clasp Right-Angle, Single Row, Surface Mount Headers	<u>203563</u>
Pico-Clasp Right-Angle Single Row Headers	<u>501953</u>
Pico-Clasp Vertical, Single Row, Surface Mount, Low-Halogen Headers	<u>208383</u>
Pico-Clasp Right-Angle, Single Row, Surface Mount, Low-Halogen Headers	<u>208385</u>

可连接使用部件

描述	产品编号
----	------

Pico-Clasp Female Crimp Terminals	<u>501193</u>
Pico-Clasp Female Crimp Terminals	<u>501334</u>

施工工具

全局

描述	产品编号
Extraction Tool for Pico-Clasp Wire-to-Board Terminals, 28-32 AWG	<u>638131700</u>

This document was generated on Jun 03, 2024

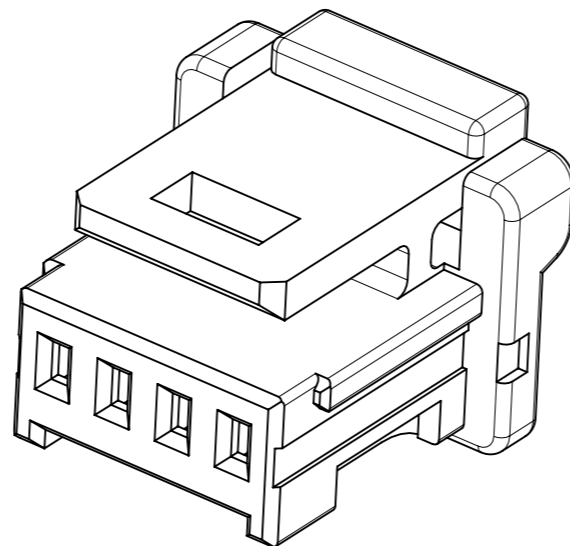
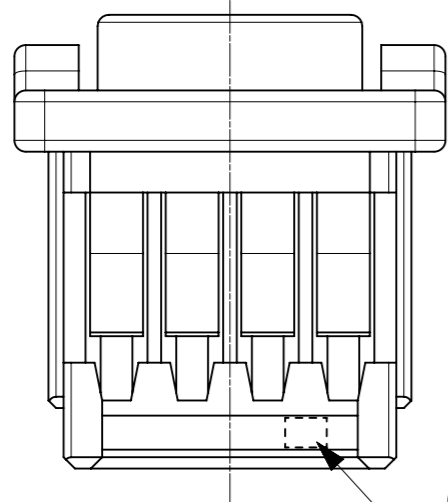
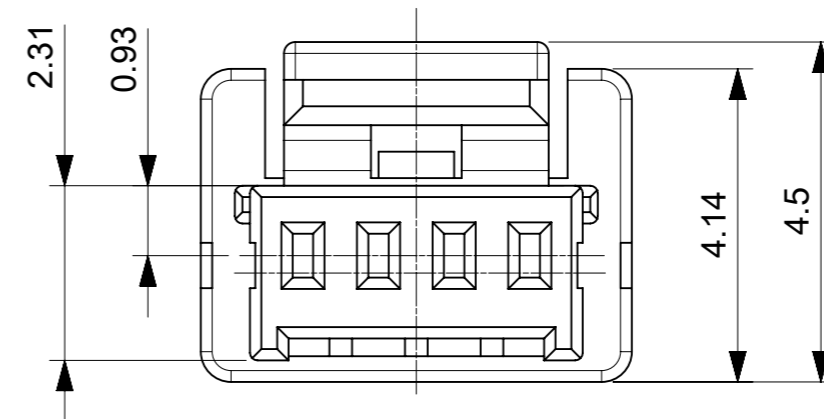
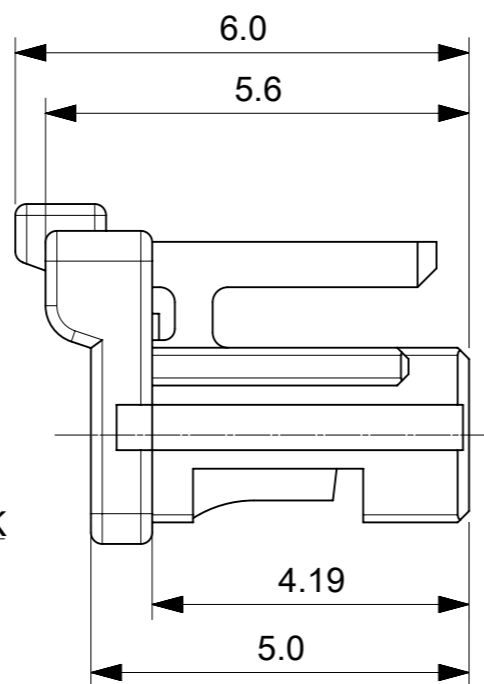
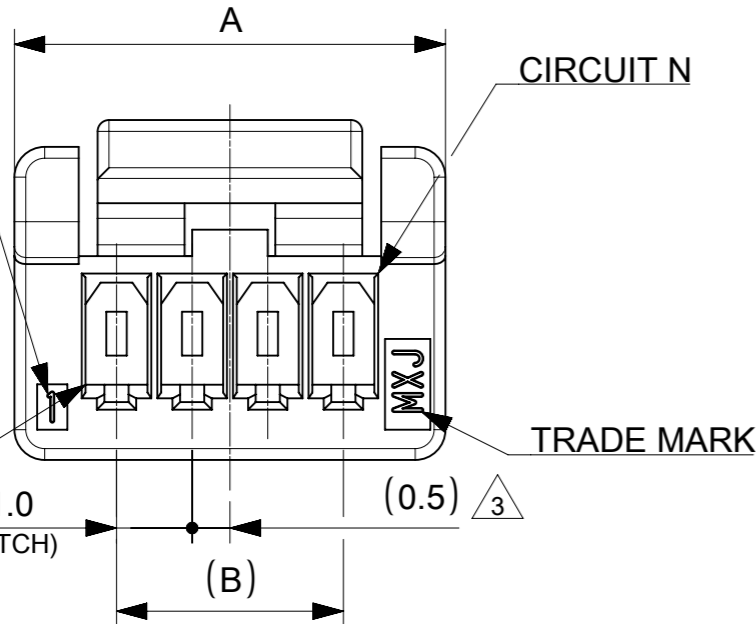
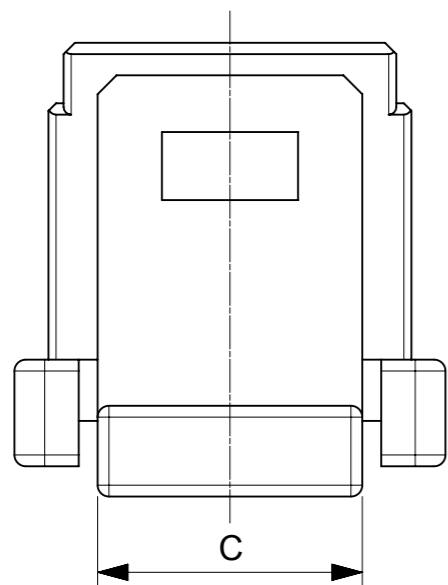
NOTES

- △1 材料：TABLE 1 参照
MATERIAL：SEE TABLE 1
- △2 本製品の適合嵌合相手及び各製品仕様書はSHEET 2 及び SHEET 3を御参照ください。
REFER TO SHEET 2 OR SHEET 3 FOR APPLICABLE PRODUCTS AND VARIOUS SPECIFICATIONS.
- △3 偶数極に適用
APPLY FOR EVEN CIRCUIT
- △4 発注番号：TABLE 2 参照
ORDER No.：SEE TABLE 2
- 5. 梱包仕様書：SPK-501939-001
PACKING SPECIFICATION：

501939

** **

極数 CIRCUIT SIZE	ハウジングカラー HOUSING COLOR
	00:NATURAL(WHITE)
	31:BLACK



△4 TABLE 2

			HOUSING COLOR		
			BLACK	NATURAL(WHITE)	
3.5	4.0	6.7	501939 0531	501939 0500	5
	3.0	5.7	501939 0431	501939 0400	4
2.5	2.0	4.7	501939 0331	501939 0300	3
C	B	A	発注番号 ORDER No.		極数 CIRCUIT SIZE
極数別 寸法 DIMENSION			梱包形態：ポリ袋 PACKAGE:POLYBAG		

△1 TABLE 1

部品 PART	材質 MATERIAL
ハウジング HOUSING	ポリアミド(PA), UL94V-0, LOW HALOGEN, 色：SEE TABLE 2 POLYAMIDE(PA), UL94V-0, LOW HALOGEN, COLOR：SEE TABLE 2

DOCUMENT STATUS	P1	RELEASE DATE	2021/04/06	10:46:36
-----------------	----	--------------	------------	----------

THIS DRAWING CONTAINS INFORMATION THAT IS PROPRIETARY TO MOLEX ELECTRONIC TECHNOLOGIES, LLC AND SHOULD NOT BE USED WITHOUT WRITTEN PERMISSION

DIMENSION UNITS: mm SCALE: NTS

GENERAL TOLERANCES (UNLESS SPECIFIED):

ANGULAR TOL ± 3.0°

4 PLACES ± 0.2
3 PLACES ± 0.2
2 PLACES ± 0.2
1 PLACE ± 0.2
0 PLACES ± 0.2

EC NO: 658660
DRWN: MIKEDA01 2021/04/06
CHK'D: SAKIYAMA 2021/04/06
APPR: KOMURAKAMI 2021/04/06

INITIAL REVISION:
DRWN: AISHIKAWA 2019/03/15
APPR: KOMURAKAMI 2019/04/03

THIRD ANGLE PROJECTION

DRAFT WHERE APPLICABLE MUST REMAIN WITHIN DIMENSIONS

DOCUMENT NUMBER: 5019390000-SD
DOC TYPE: PSD
DOC PART: 000
REVISION: E

SHEET NUMBER: 1 OF 3

PRODUCT CUSTOMER DRAWING

MOLEX

PICO-CLASP 1.0 WTB CONN
SINGLE ROW REC HSG OUTER LOCK

A3-SIZE 501939

△ 適合製品及び各種仕様書 (標準仕様)

APPLICABLE PRODUCTS AND VARIOUS SPECIFICATIONS (STANDARD TYPE)

適合圧着端子 APPLICABLE CRIMP TERMINAL	PART NUMBER	PLATING TYPE		WIRE SIZE(AWG)
	501334 0000	TIN (THICKNESS) [MICRO-METER MIN]	1.0	#28 - #32
	501193 7000	GOLD (THICKNESS) [MICRO-METER MIN]	FLASH	
	501193 8000		0.38	
	501193 9000		0.76	

列 ROW	SINGLE								
	SMT				SMT				
適合嵌合相手 MATE WITH	VERTICAL	RIGHT ANGLE	VERTICAL	RIGHT ANGLE			VERTICAL	RIGHT ANGLE	
	TIN (THICKNESS) [MICRO-METER MIN]	TIN (THICKNESS) [MICRO-METER MIN]	GOLD (THICKNESS) [MICRO-METER MIN]	GOLD (THICKNESS) [MICRO-METER MIN]			GOLD (THICKNESS) [MICRO-METER MIN]	GOLD (THICKNESS) [MICRO-METER MIN]	
		1.0	1.0	0.1	0.38	0.76	0.1	0.38	0.76
シリーズ番号 SERIES No.	501940 **07	501953 **07	501940 **03	203560 **03	203561 **03	501953 **05	203562 **05	203563 **05	
製品仕様書 PRODUCT SPECIFICATION	PS-501940-001				5019390000-PS 001				
取扱説明書 APPLICATION SPECIFICATION	5013300000-AS 000								

※製品嵌合図は各"適合嵌合相手"図面参照のこと
MATING VIEW:REFER TO EACH "MATE WITH" PART DRAWING.

THIS DRAWING CONTAINS INFORMATION THAT IS PROPRIETARY TO MOLEX ELECTRONIC TECHNOLOGIES, LLC AND SHOULD NOT BE USED WITHOUT WRITTEN PERMISSION										
DIMENSION UNITS	SCALE	CURRENT REV DESC: REVISED						molex		
mm	NTS									
GENERAL TOLERANCES (UNLESS SPECIFIED)								PICO-CLASP 1.0 WTB CONN SINGLE ROW REC HSG OUTER LOCK		
ANGULAR TOL	± 3.0 °							PRODUCT CUSTOMER DRAWING		
4 PLACES	± 0.2	EC NO: 658660								
3 PLACES	± 0.2	DRWN: MIKEDA01				2021/04/06				
2 PLACES	± 0.2	CHK'D: SAKIYAMA				2021/04/06				
1 PLACE	± 0.2	APPR: KOMURAKAMI				2021/04/06				
0 PLACES	± 0.2	INITIAL REVISION:								
		DRWN: AISHIKAWA				2019/03/15				
		APPR: KOMURAKAMI				2019/04/03				
DRAFT WHERE APPLICABLE MUST REMAIN WITHIN DIMENSIONS		THIRD ANGLE PROJECTION	DRAWING	SERIES	MATERIAL NUMBER	CUSTOMER	DOCUMENT NUMBER	DOC TYPE	DOC PART	REVISION
			A3-SIZE	501939	501939****	GENERAL	5019390000-SD	PSD	000	E
										SHEET NUMBER 2 OF 3

△ 2 適合製品及び各種仕様書 (ローハロゲン仕様)
 APPLICABLE PRODUCTS AND VARIOUS SPECIFICATIONS (LOW HALOGEN TYPE)

列 ROW	SINGLE							
	SMT				SMT			
	VERTICAL	RIGHT ANGLE	VERTICAL	RIGHT ANGLE	VERTICAL	RIGHT ANGLE	VERTICAL	RIGHT ANGLE
適合嵌合相手 MATE WITH	TIN (THICKNESS) [MICRO-METER MIN]	TIN (THICKNESS) [MICRO-METER MIN]	GOLD (THICKNESS) [MICRO-METER MIN]			GOLD (THICKNESS) [MICRO-METER MIN]		
	1.0	1.0	0.1	0.38	0.76	0.1	0.38	0.76
シリーズ番号 SERIES No.	208383 ***9	208385 ***9	208383 ***7	208383 ***5	208383 ***3	208385 ***7	208385 ***5	208385 ***3
製品仕様書 PRODUCT SPECIFICATION	5019390000-PS 002				5019390000-PS 003			
取扱説明書 APPLICATION SPECIFICATION	5013300000-AS 001							

- ※製品嵌合図は各"適合嵌合相手"図面参照のこと
 MATING VIEW:REFER TO EACH "MATE WITH" PART DRAWING.
- ※適合圧着端子は標準仕様と共通になります
 THE APPLICABLE CRIMP TERMINAL ARE THE SAME THE STANDARD.

THIS DRAWING CONTAINS INFORMATION THAT IS PROPRIETARY TO MOLEX ELECTRONIC TECHNOLOGIES, LLC AND SHOULD NOT BE USED WITHOUT WRITTEN PERMISSION										
DIMENSION UNITS	SCALE	CURRENT REV DESC: REVISED					molex			
mm	NTS									
GENERAL TOLERANCES (UNLESS SPECIFIED)							PICO-CLASP 1.0 WTB CONN SINGLE ROW REC HSG OUTER LOCK			
ANGULAR TOL	± 3.0 °									
4 PLACES	± 0.2	EC NO: 658660				PRODUCT CUSTOMER DRAWING				
3 PLACES	± 0.2	DRWN: MIKEDA01	2021/04/06							
2 PLACES	± 0.2	CHK'D: SAKIYAMA	2021/04/06			DOCUMENT NUMBER 5019390000-SD				
1 PLACE	± 0.2	APPR: KOMURAKAMI	2021/04/06							
0 PLACES	± 0.2	INITIAL REVISION:				DOC TYPE	DOC PART	REVISION		
		DRWN: AISHIKAWA	2019/03/15			PSD	000	E		
		APPR: KOMURAKAMI	2019/04/03							
DRAFT WHERE APPLICABLE MUST REMAIN WITHIN DIMENSIONS	THIRD ANGLE PROJECTION	DRAWING	SERIES	MATERIAL NUMBER	CUSTOMER	SHEET NUMBER				
		A3-SIZE	501939	501939****	GENERAL	3 OF 3				