



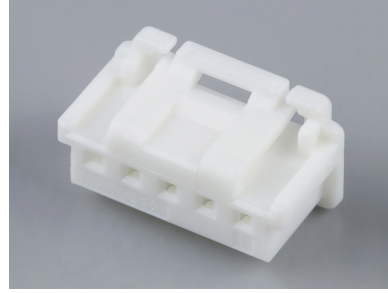
产品编号 : [5023510500](#)

Product Description : DuraClik Wire-to-Board Receptacle Housing, Single Row, 5 Circuits, Natural

系列号 : 502351

状态 : Active

Product Category : Connector Housings



文件和资源

图纸

[图纸 5023510500_sd.pdf](#)

3D 模型和设计文件

[3D模型 5023510500_stp.zip](#)

规格


[包装规格 PK-502351-001-001.pdf](#)

[产品规格 PS-502351-002-001.pdf](#)

[产品规格 PS-502351-001-001.pdf](#)

产物环境合规

合规

GADSL/IMDS	Duty-To-Declare
China RoHS	
EU ELV	Compliant per 2000/53/EC
Low-Halogen Status	Not Low-Halogen per IEC 61249-2-21
REACH SVHC	Not Contained per D(2023)3788-DC (14 Jun 2023)
EU RoHS	Compliant per EU 2015/863

多部分产品合规性声明

- Eu RoHS
- REACH SVHC
- Low-Halogen

多部分行业合规性文件

- IPC 1752A Class C

- IPC 1752A Class D
- Molex Product Compliance Declaration
- IEC-62474
- chemSHERPA (xml)

欧盟 RoHS 合格证书

产品详情

常规

状态	活动
类别	Connector Housings
系列	502351
说明	DuraClik Wire-to-Board Receptacle Housing, Single Row, 5 Circuits, Natural
应用	Automotive, Signal, Wire-to-Board
个评论	Molex part has an inner-locking system versus an outer-locking system. Molex part with tail protection feature.
产品系列	DuraClik Connector System
产品名称	DuraClik
UPC	884982894488

电气

每触点最大电流	3.0A
---------	------

物理

电路数（最多）	5
颜色-树脂	Natural
性别	Receptacle
符合灼热丝规范	否
插接极性	是
锁定插接部位	是
净重	0.227/g
行数	1
包装形式	Bag
面板安装式	否

间距 - 插配接口	2.00mm
有极性的插配件	是
运行温度范围	-40° to +105° C

进程

无铅	不适用
----	-----

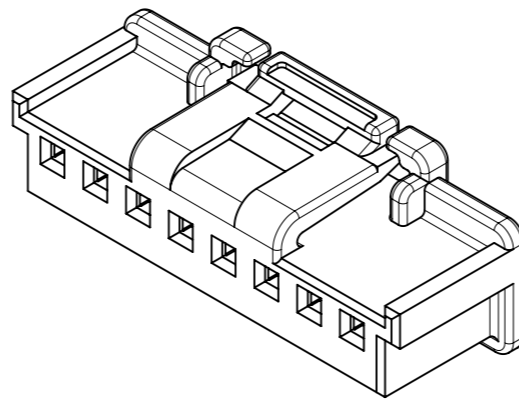
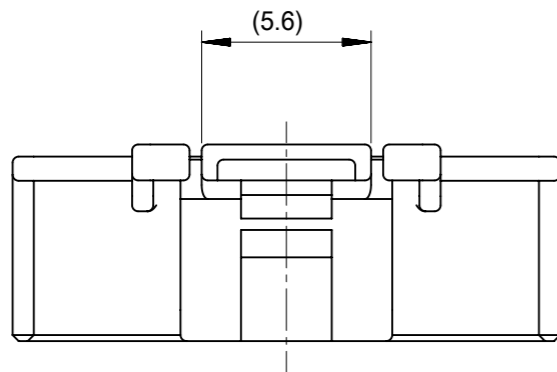
可配插/可连接使用的产品

可配插部件

描述	产品编号
DuraClik Right-Angle Single Row Headers	<u>502352</u>
DuraClik Vertical Single Row Headers	<u>560020</u>

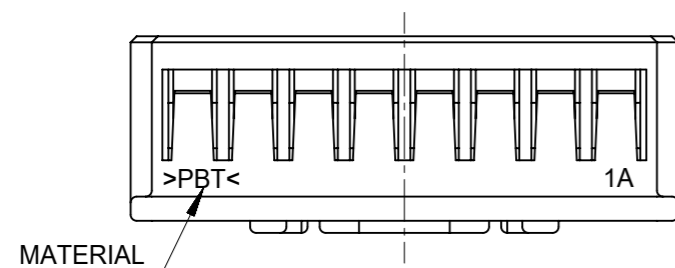
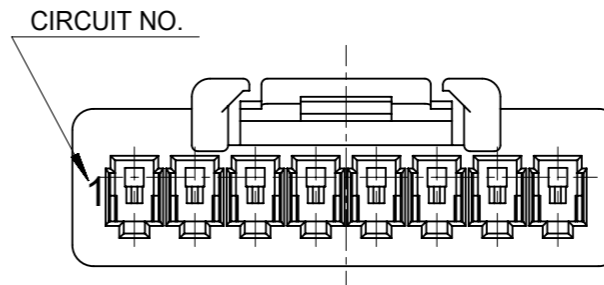
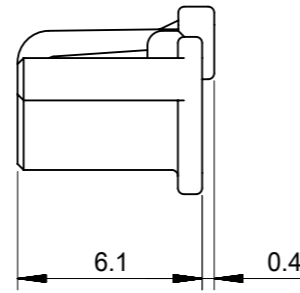
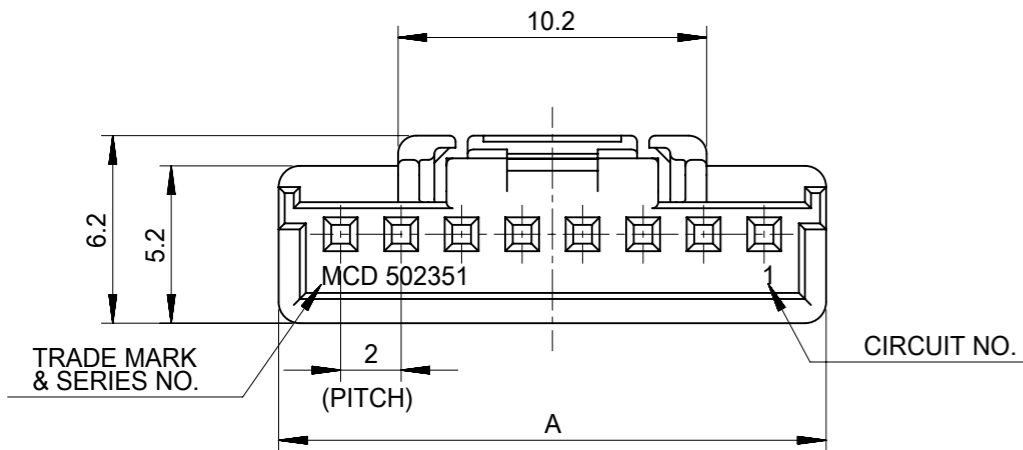
可连接使用部件

描述	产品编号
Pre-Crimped Lead DuraClik Female-to-DuraClik Female, Tin (Sn) Plating, 150.00mm Length, 26 AWG, Black	<u>/content/molex/molex-dot-com/cn/zh/products/product-page.html/797581008.html</u>
Pre-Crimped Lead DuraClik Female-to-DuraClik Female, Tin (Sn) Plating, 300.00mm Length, 26 AWG, Black	<u>/content/molex/molex-dot-com/cn/zh/products/product-page.html/797581009.html</u>
DuraClik Female Crimp Terminals	<u>560085</u>
Micro-Latch Female Crimp Terminals	<u>50212</u>
DuraClik Female Terminals	<u>56161</u>



NOTES

- 1. 材質 : PBT UL94V-0
MATERIAL: PBT UL94V-0
- 2. 色 : 白、黒
COLOR: WHITE, BLACK
- 3. 適合端子 : 50212, 50372, 56161, 560085シリーズ
APPLICABLE TERMINAL: 50212, 50372, 56161, 560085 SERIES
- 4. 嵌合相手 : 502352, 560020シリーズ
MATES WITH: 502352, 560020 SERIES
- 5. ELV及びRoHS適合品
ELV AND RoHS COMPLIANT
- 6. 一般公差
GENERAL TOLERANCES
10 UNDER: ±0.2
10 OVER 30 UNDER: ±0.25
30 OVER: ±0.3
ANGULAR: ±3°



8CKTS

BLACK	32.1	502351-1501	15
	30.1	502351-1401	14
	28.1	502351-1301	13
	26.1	502351-1201	12
	24.1	502351-1101	11
	22.1	502351-1001	10
	20.1	502351-0901	9
	18.1	502351-0801	8
	16.1	502351-0701	7
	14.1	502351-0601	6
	12.1	502351-0501	5
	10.1	502351-0401	4
	8.1	502351-0301	3
8.0	502351-0201	2	
COLOR	A	MATERIAL NO.	CKTS

NATURAL	32.1	502351-1500	15
	30.1	502351-1400	14
	28.1	502351-1300	13
	26.1	502351-1200	12
	24.1	502351-1100	11
	22.1	502351-1000	10
	20.1	502351-0900	9
	18.1	502351-0800	8
	16.1	502351-0700	7
	14.1	502351-0600	6
	12.1	502351-0500	5
	10.1	502351-0400	4
	8.1	502351-0300	3
8.0	502351-0200	2	
COLOR	A	MATERIAL NO.	CKTS

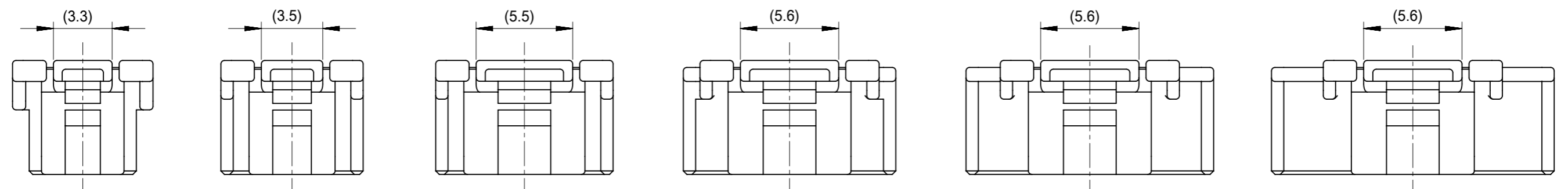
THIS DRAWING CONTAINS INFORMATION THAT IS PROPRIETARY TO MOLEX ELECTRONIC TECHNOLOGIES, LLC AND SHOULD NOT BE USED WITHOUT WRITTEN PERMISSION

DIMENSION UNITS mm	SCALE 4:1	CURRENT REV DESC:		molex		
GENERAL TOLERANCES (UNLESS SPECIFIED)		EC NO: 628767				
ANGULAR TOL ± °		DRWN: MSATO08 2019/12/09		WIRE TO BOARD CONN. RECEPTACLE HOUSING		
4 PLACES ±		CHK'D: HIJIMA 2019/12/10		PRODUCT CUSTOMER DRAWING		
3 PLACES ±		APPR: TOSADA 2019/12/13		DOCUMENT NUMBER		
2 PLACES ±		INITIAL REVISION:		SD-502351-001		
1 PLACE ±		DRWN: SHSHIBATA 2008/01/23		DOC TYPE DOC PART REVISION		
0 PLACES ±		APPR: AKANESHIGE 2008/04/23		PSD 001 J1		
DRAFT WHERE APPLICABLE MUST REMAIN WITHIN DIMENSIONS		THIRD ANGLE PROJECTION	DRAWING	SERIES	MATERIAL NUMBER	CUSTOMER
			A3-SIZE	502351	SEE CHART	GENERAL MARKET
						SHEET NUMBER
						1 OF 3

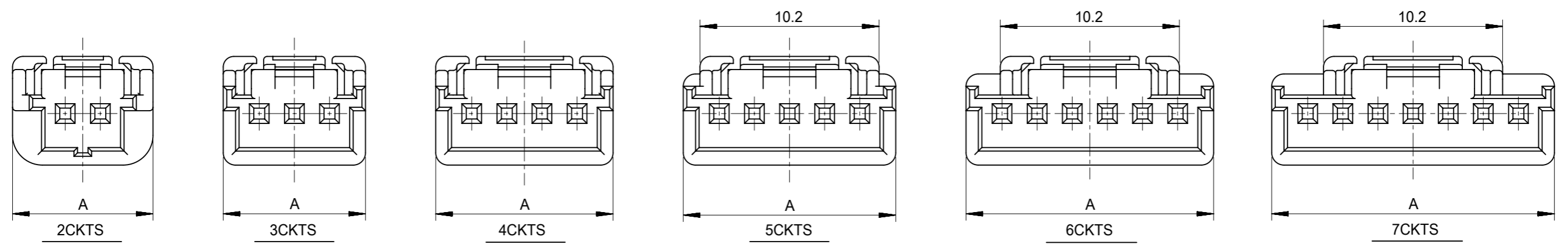
INITIAL REVISION:
 DRWN SHSHIBATA 2007/12/18
 CHECK HKOMATSU 2007/12/18
 APPR MAYAMAMOTO 2010/12/02

9 8 7 6 5 4 3 2 1

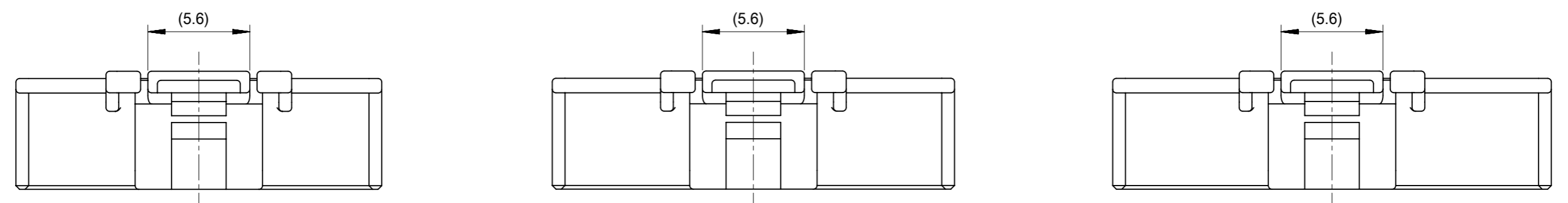
E



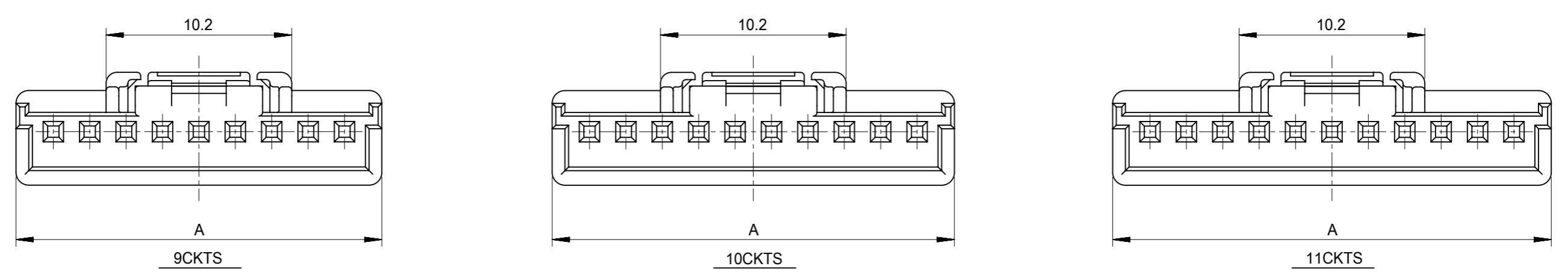
D



C



B



A

THIS DRAWING CONTAINS INFORMATION THAT IS PROPRIETARY TO MOLEX ELECTRONIC TECHNOLOGIES, LLC AND SHOULD NOT BE USED WITHOUT WRITTEN PERMISSION											
DIMENSION UNITS		SCALE		CURRENT REV DESC:						molex	
mm		4:1									
GENERAL TOLERANCES (UNLESS SPECIFIED)				EC NO: 628767							
ANGULAR TOL ±				DRWN: MSATO08 2019/12/09							
4 PLACES ±				CHK'D: HIJIMA 2019/12/10							
3 PLACES ±				APPR: TOSADA 2019/12/13							
2 PLACES ±				INITIAL REVISION:							
1 PLACE ±				DRWN: SHSHIBATA 2008/01/23							
0 PLACES ±				APPR: AKANESHIGE 2008/04/23							
DRAFT WHERE APPLICABLE MUST REMAIN WITHIN DIMENSIONS				THIRD ANGLE PROJECTION		DRAWING		SERIES		MATERIAL NUMBER	
						A3-SIZE		502351		SEE CHART	
								CUSTOMER		SHEET NUMBER	
								GENERAL MARKET		2 OF 3	

INITIAL REVISION:
 DRWN SHSHIBATA 2007/12/18
 CHECK HKOMATSU 2007/12/18
 APPR MAYAMAMOTO 2010/12/02

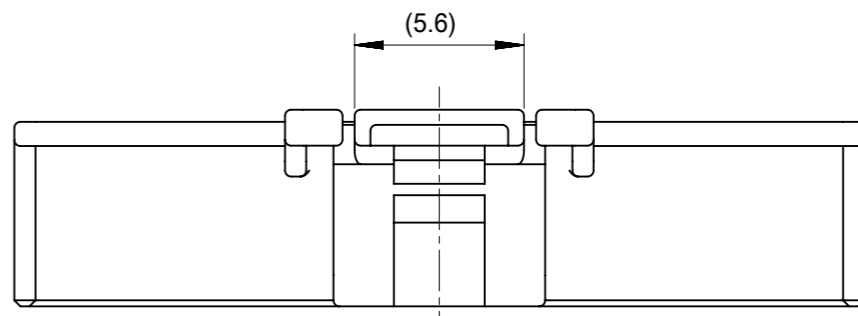
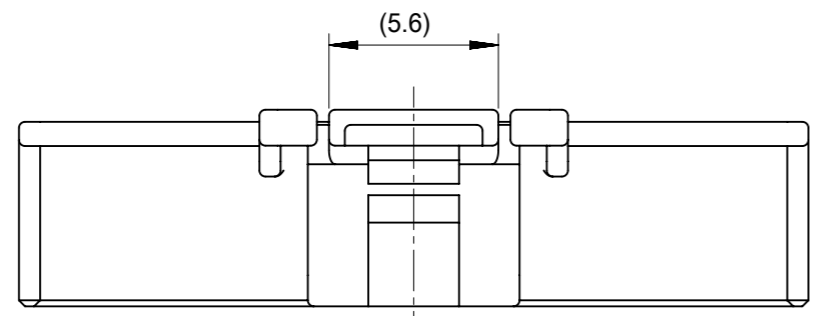
DOCUMENT STATUS P1 RELEASE DATE 2019/12/13 01:19:57

9 8 7 6 5 4 3 2 1

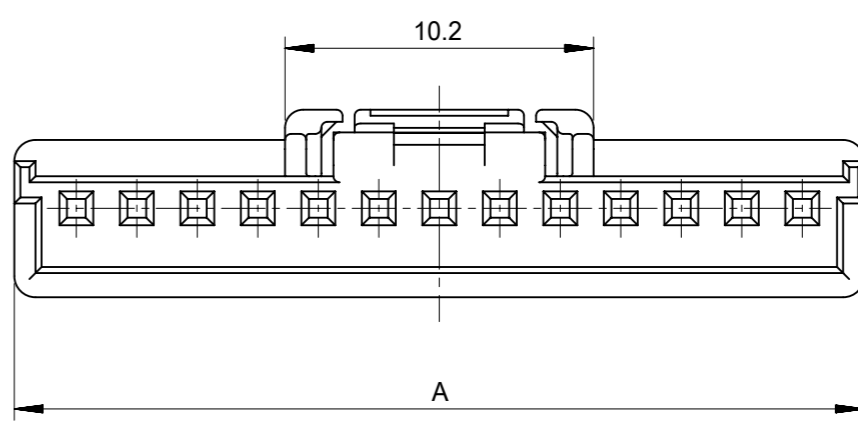
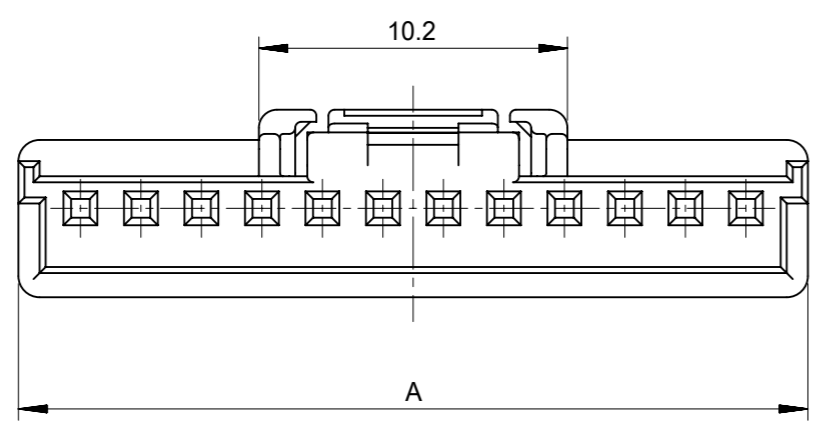
FORMAT: master-ib-prod-A3
 REVISION: 11
 DATE: 2018/01/18

9 8 7 6 5 4 3 2 1

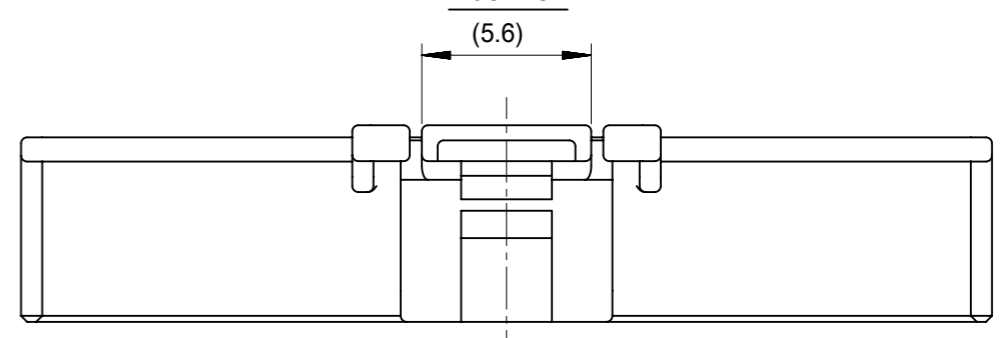
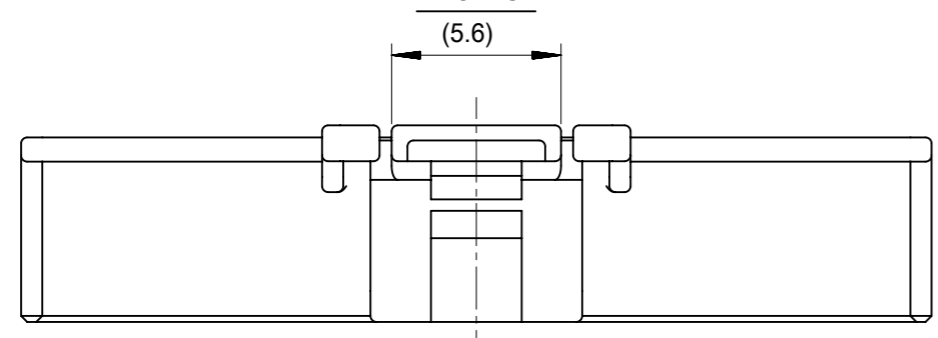
E



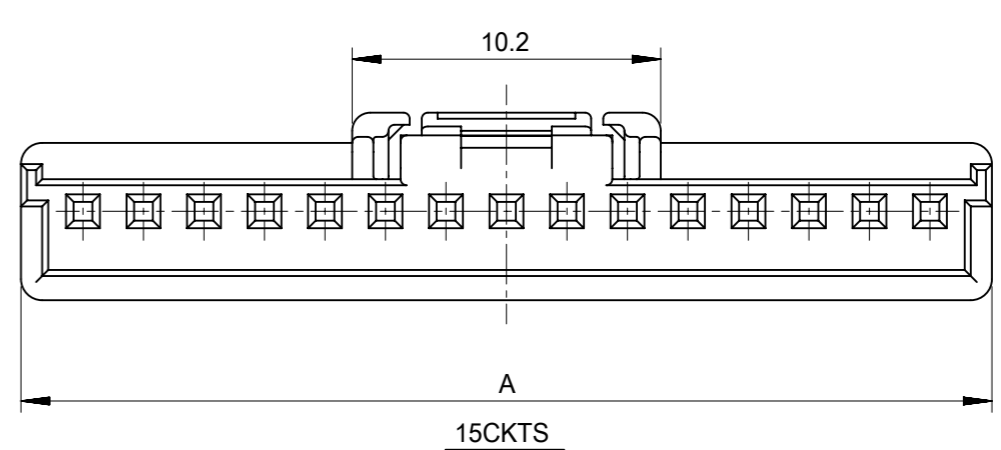
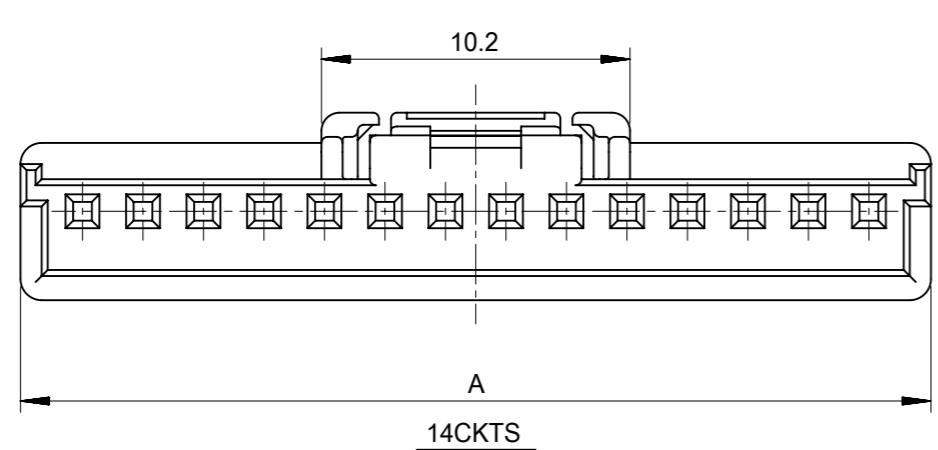
D



C



B



A

THIS DRAWING CONTAINS INFORMATION THAT IS PROPRIETARY TO MOLEX ELECTRONIC TECHNOLOGIES, LLC AND SHOULD NOT BE USED WITHOUT WRITTEN PERMISSION		CURRENT REV DESC:		molex	
DIMENSION UNITS	SCALE	EC NO: 628767			
mm	4:1	DRWN: MSATO08 2019/12/09		WIRE TO BOARD CONN. RECEPTACLE HOUSING	
GENERAL TOLERANCES (UNLESS SPECIFIED)		CHK'D: HIJIMA 2019/12/10		PRODUCT CUSTOMER DRAWING	
ANGULAR TOL	± °	APPR: TOSADA 2019/12/13		DOCUMENT NUMBER	
4 PLACES	±	INITIAL REVISION:		SD-502351-001	
3 PLACES	±	DRWN: SHSHIBATA 2008/01/23		DOC TYPE	
2 PLACES	±	APPR: AKANESHIGE 2008/04/23		PSD	
1 PLACE	±	THIRD ANGLE PROJECTION		DOC PART	
0 PLACES	±	DRAWING		001	
DRAFT WHERE APPLICABLE MUST REMAIN WITHIN DIMENSIONS		SERIES		REVISION	
		A3-SIZE		J1	
		502351		SHEET NUMBER	
		SEE CHART		3 OF 3	
		GENERAL MARKET			

INITIAL REVISION:
 DRWN SHSHIBATA 2007/12/18
 CHECK HKOMATSU 2007/12/18
 APPR MAYAMAMOTO 2010/12/02

9 8 7 6 5 4 3 2 1

FORMAT: master-b-prod-A3
 REVISION: 11
 DATE: 2018/01/18